



US00D715662S

(12) **United States Design Patent**
Aicher et al.

(10) **Patent No.:** **US D715,662 S**
(45) **Date of Patent:** **** Oct. 21, 2014**

(54) **SENSOR HOUSING**

(71) Applicant: **FLIR Systems, Inc.**, Wilsonville, OR (US)

(72) Inventors: **Chris Aicher**, Wilsonville, OR (US);
Nathan Stauffer, Wilsonville, OR (US);
James Weaver, West Linn, OR (US);
Adam Espersen, Portland, OR (US)

(73) Assignee: **FLIR Systems, Inc.**, Wilsonville, OR (US)

(**) Term: **14 Years**

(21) Appl. No.: **29/458,073**

(22) Filed: **Jun. 14, 2013**

(51) **LOC (10) Cl.** **10-04**

(52) **U.S. Cl.**

USPC **D10/53; D16/203**

(58) **Field of Classification Search**

CPC G01C 3/08; G02B 13/009; G02B 15/00;
G03B 17/00; G03B 17/561; G03B 15/00;
G03B 37/10; G08B 13/19619; G08B 13/1963;
G08B 13/19697; G08B 17/00; H04N 5/2251;
H04N 5/23296; H04N 5/247; H04N 5/33;
H04N 5/2254; H04N 5/2252

USPC D10/52, 53; D16/200, 202–204,
D16/208–210; 348/143, 151, 373–376;
358/909.1; 396/535–541, 427

See application file for complete search history.

(56) **References Cited**

U.S. PATENT DOCUMENTS

D388,450 S 12/1997 Hamano et al.
D399,517 S 10/1998 Hasegawa
D402,677 S 12/1998 Hiraguchi

6,525,766 B1 2/2003 Ikoma et al.
D473,888 S 4/2003 Jones et al.
D489,742 S 5/2004 Nagai
D502,196 S 2/2005 Miyazaki
D517,585 S 3/2006 Iino et al.
D518,080 S 3/2006 Uehara
D536,357 S 2/2007 Koby
D542,319 S 5/2007 Ishida et al.
D545,860 S 7/2007 Miyazaki
D550,738 S 9/2007 Hsia
D552,148 S 10/2007 Yamakawa et al.
D552,650 S 10/2007 Yamakawa et al.
D556,803 S 12/2007 Ishida
D562,870 S 2/2008 Komatsu et al.

(Continued)

Primary Examiner — Antoine D Davis

(74) *Attorney, Agent, or Firm* — Haynes and Boone, LLP

(57) **CLAIM**

The ornamental design for a sensor housing, as shown and described.

DESCRIPTION

FIG. 1 is a front left top perspective view of a sensor housing showing my new design;

FIG. 2 is a front right top perspective view thereof;

FIG. 3 is a front elevational view thereof;

FIG. 4 is a rear elevational view thereof;

FIG. 5 is a right side elevational view thereof;

FIG. 6 is a left side elevational view thereof;

FIG. 7 is a top plan view thereof;

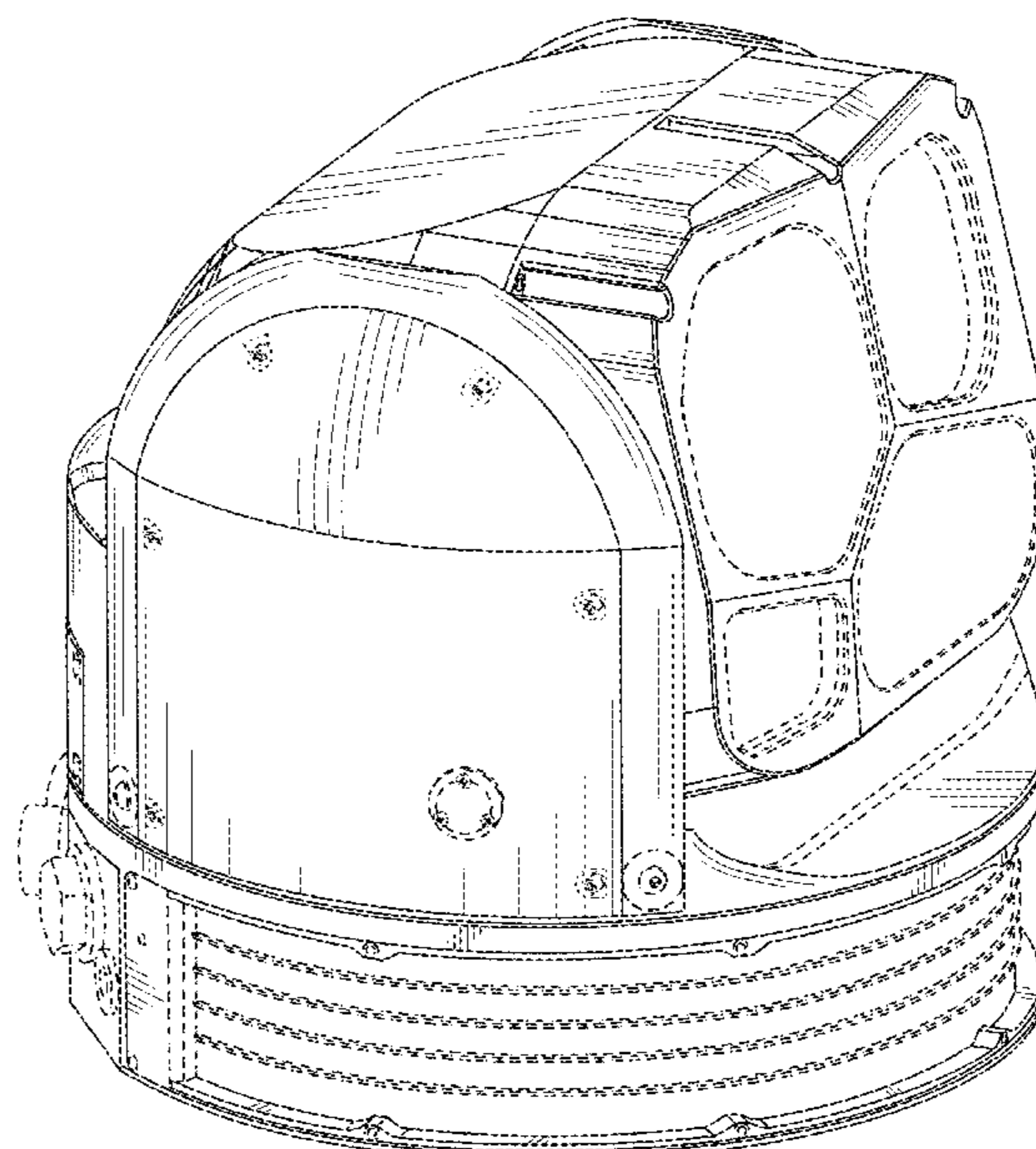
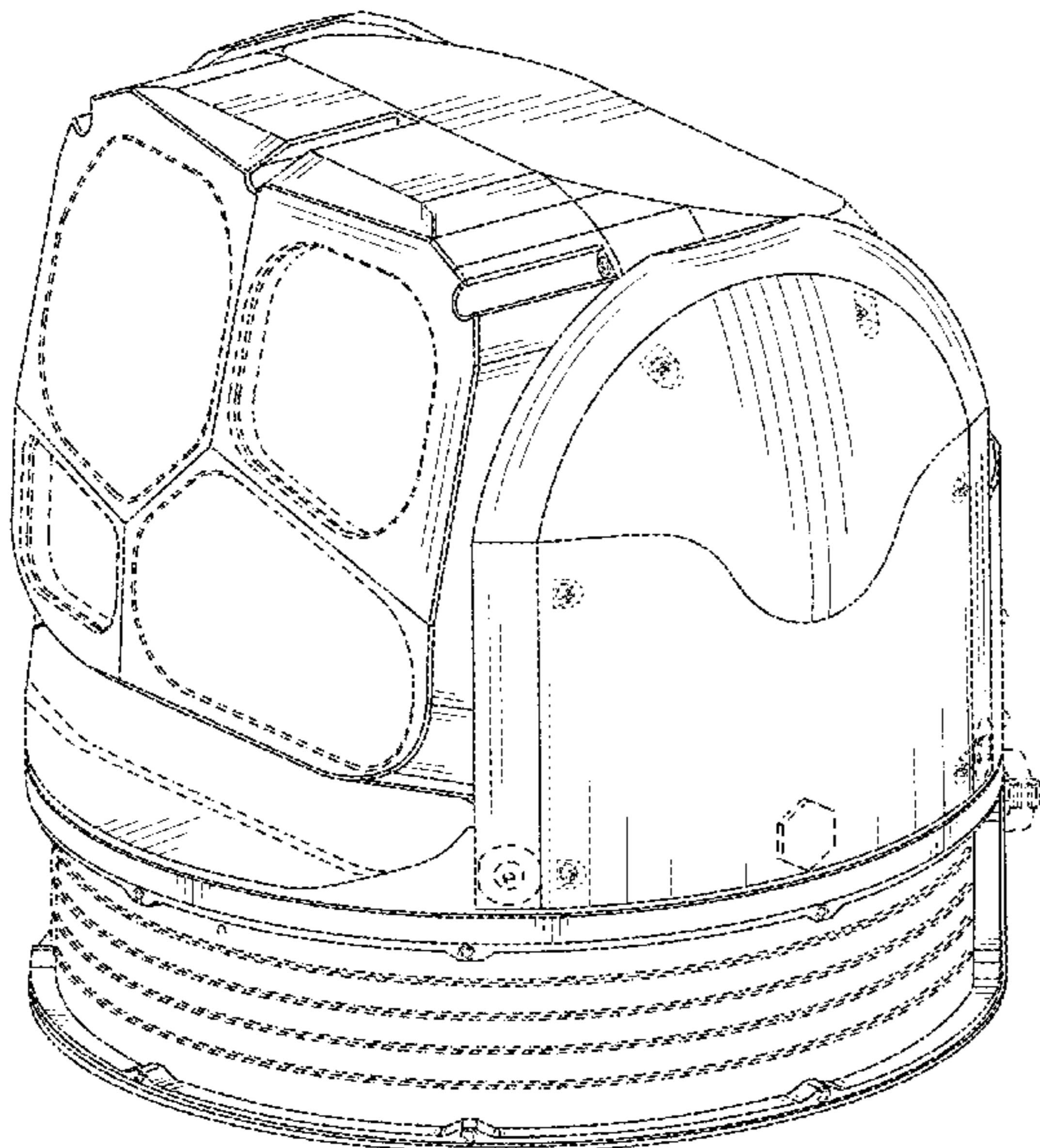
FIG. 8 is a bottom plan view thereof;

FIG. 9 is a bottom front right perspective view thereof; and,

FIG. 10 is a bottom front left perspective view thereof.

The broken lines shown in the drawings are for the purpose of illustrating environmental matter and/or illustrating portions of the sensor housing that form no part of the claimed design.

1 Claim, 10 Drawing Sheets



(56)

References Cited

U.S. PATENT DOCUMENTS

D574,870 S 8/2008 Takahashi
7,435,019 B2 10/2008 Lee
7,446,813 B2 11/2008 Nakamoto et al.

D608,811 S 1/2010 Frank et al.
D609,732 S 2/2010 Frank et al.
D671,157 S * 11/2012 Richardson et al. D16/202
8,687,111 B2 * 4/2014 McKaughan et al. 348/373
2008/0267611 A1 10/2008 Huang

* cited by examiner

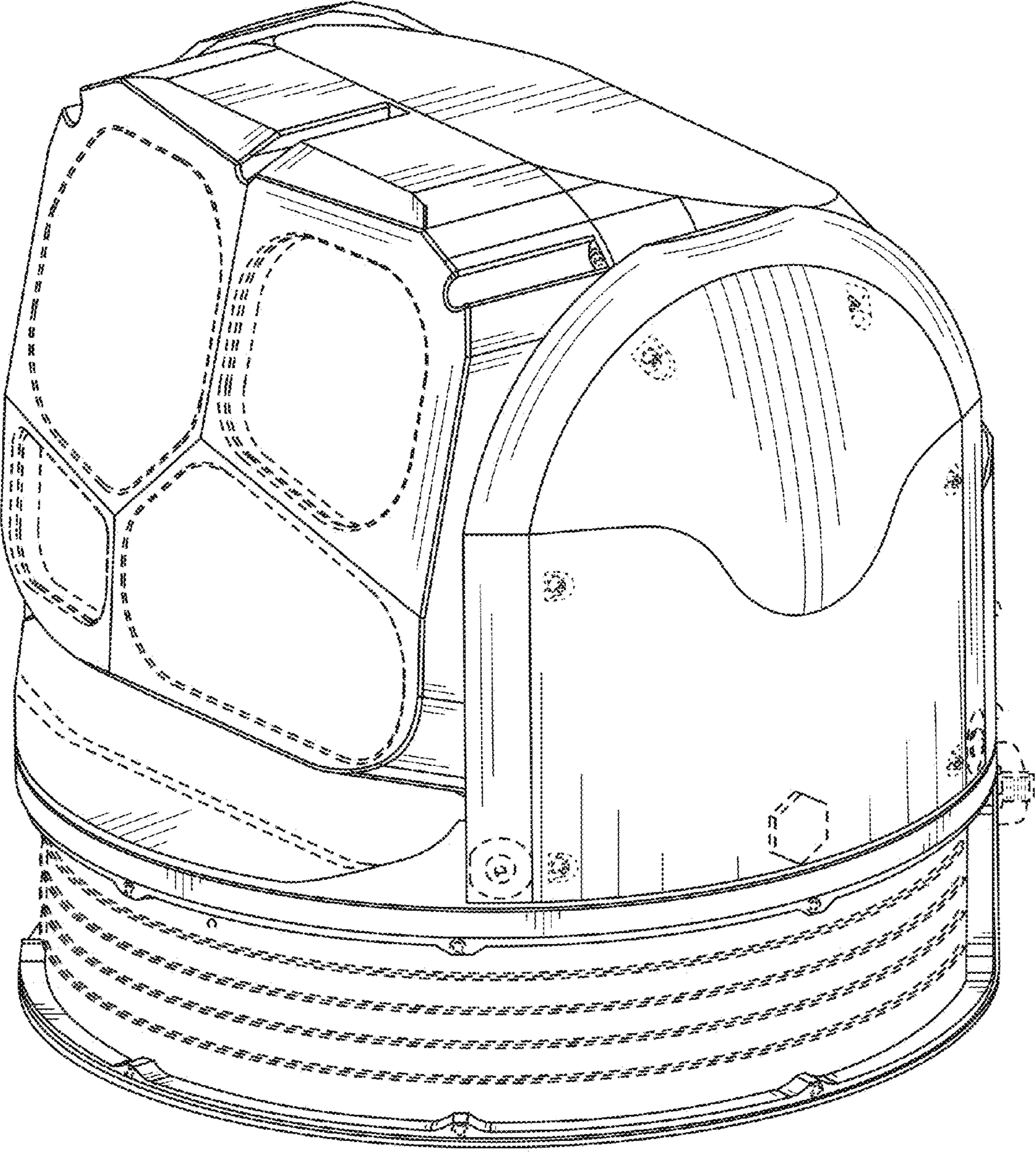


FIG. 1

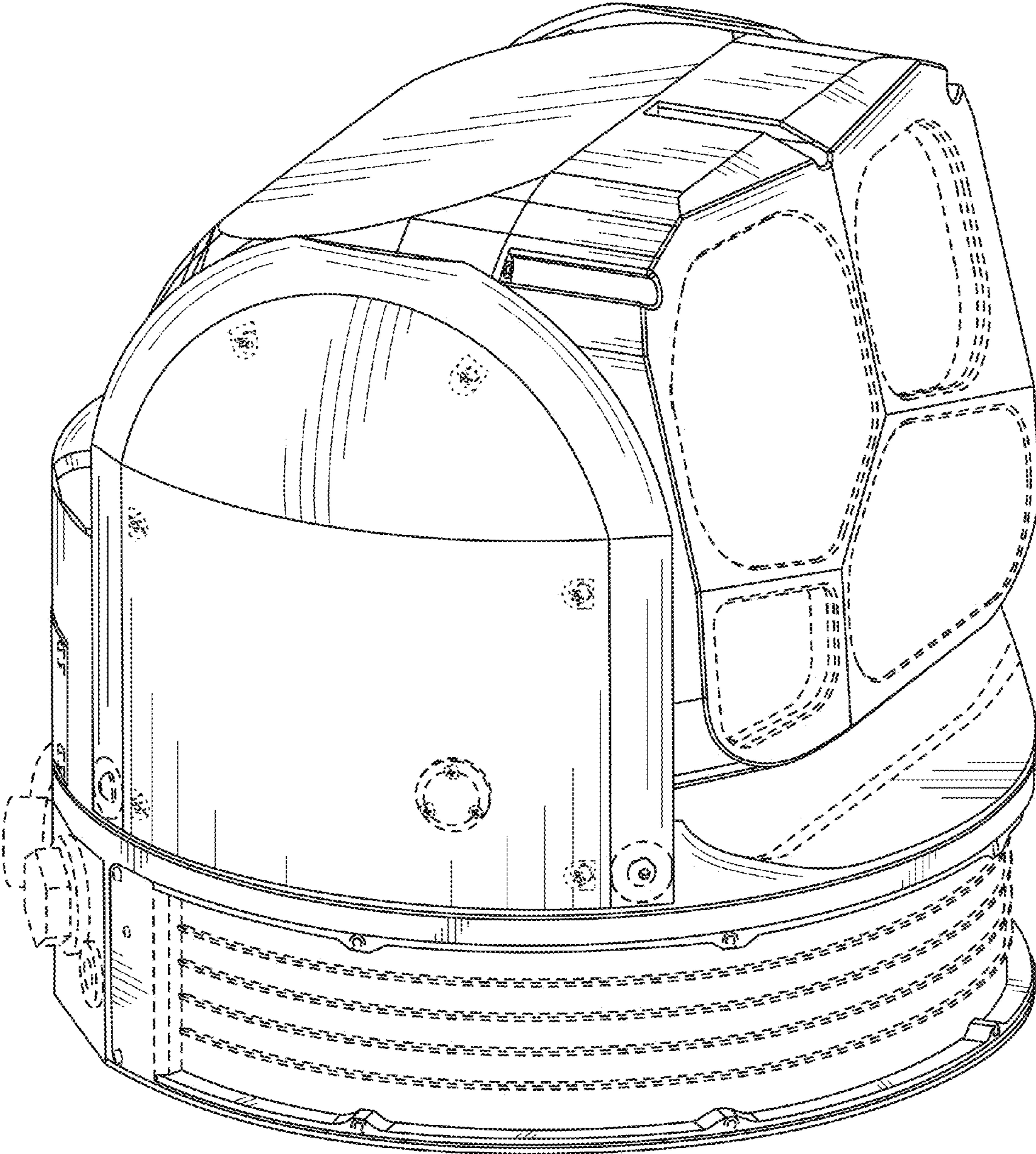


FIG. 2

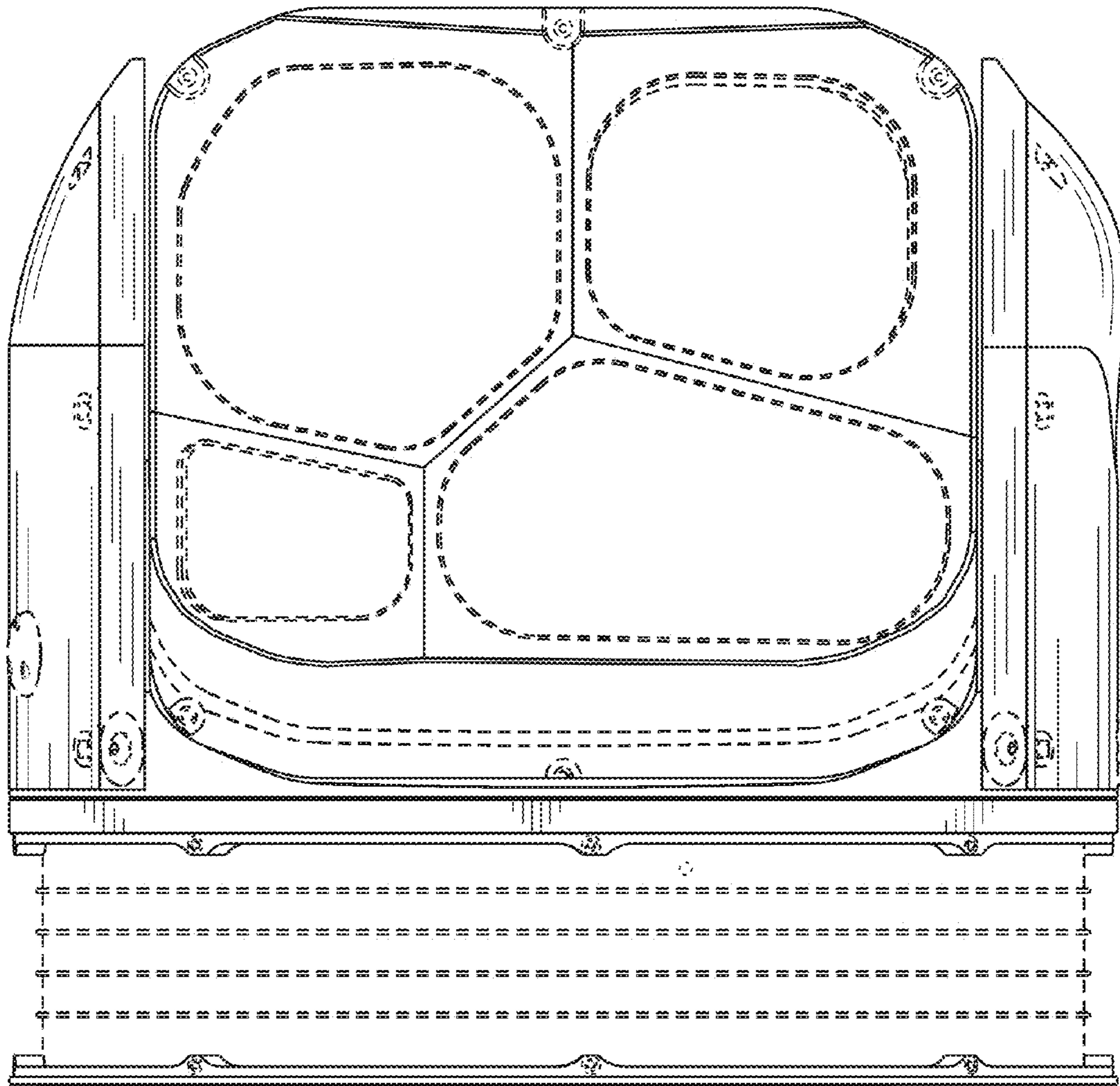


FIG. 3

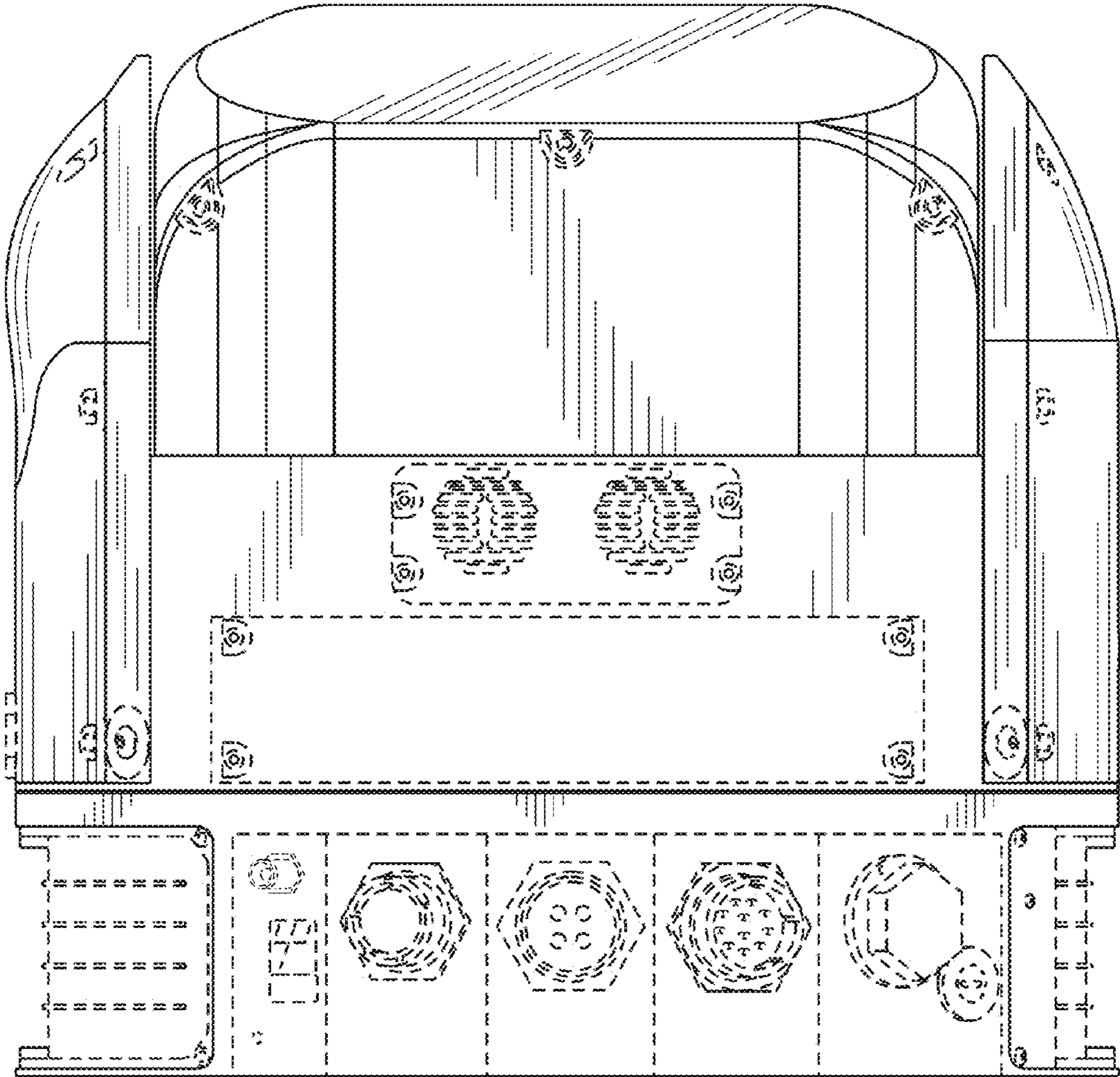


FIG. 4

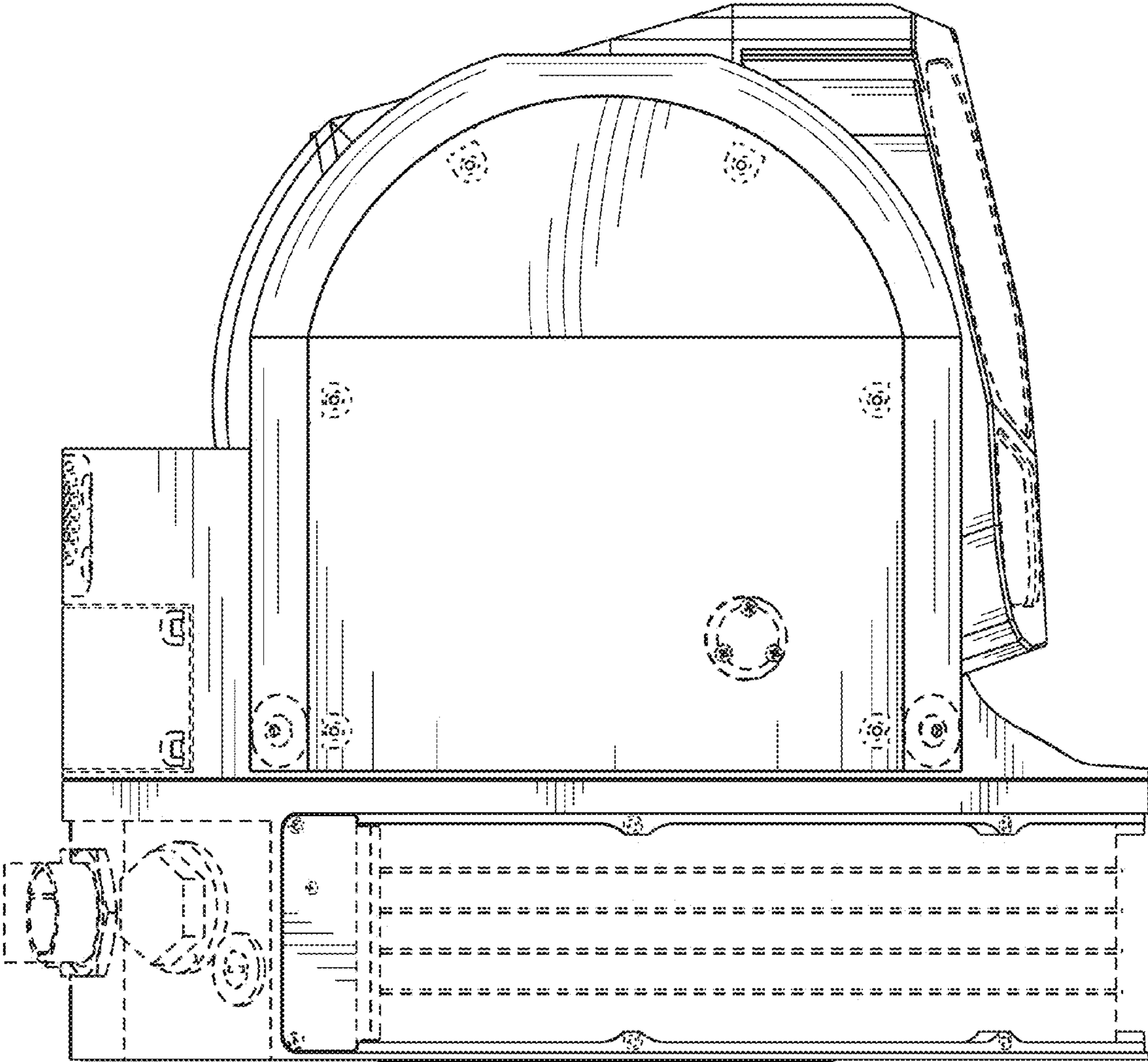


FIG. 5

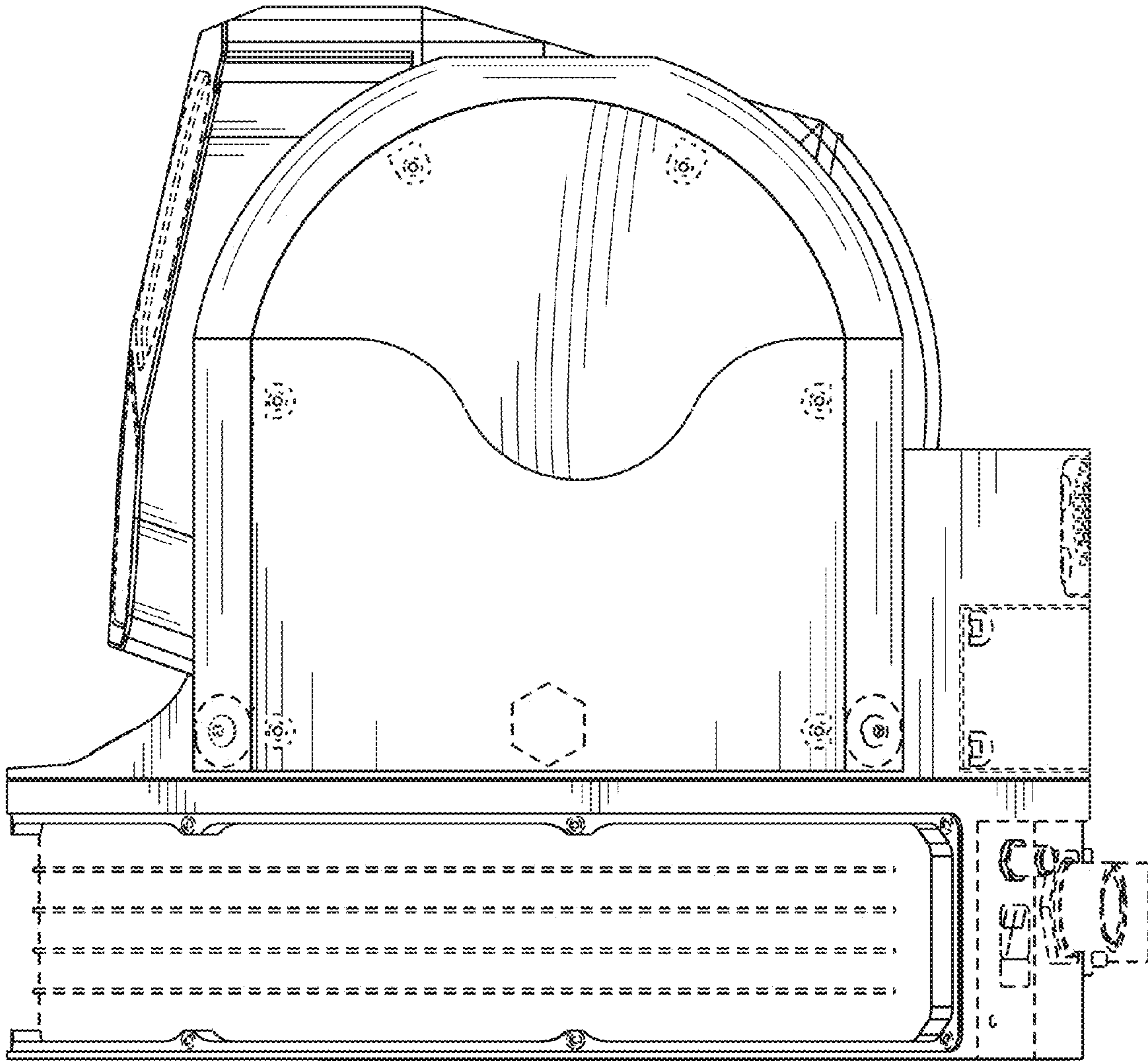


FIG. 6

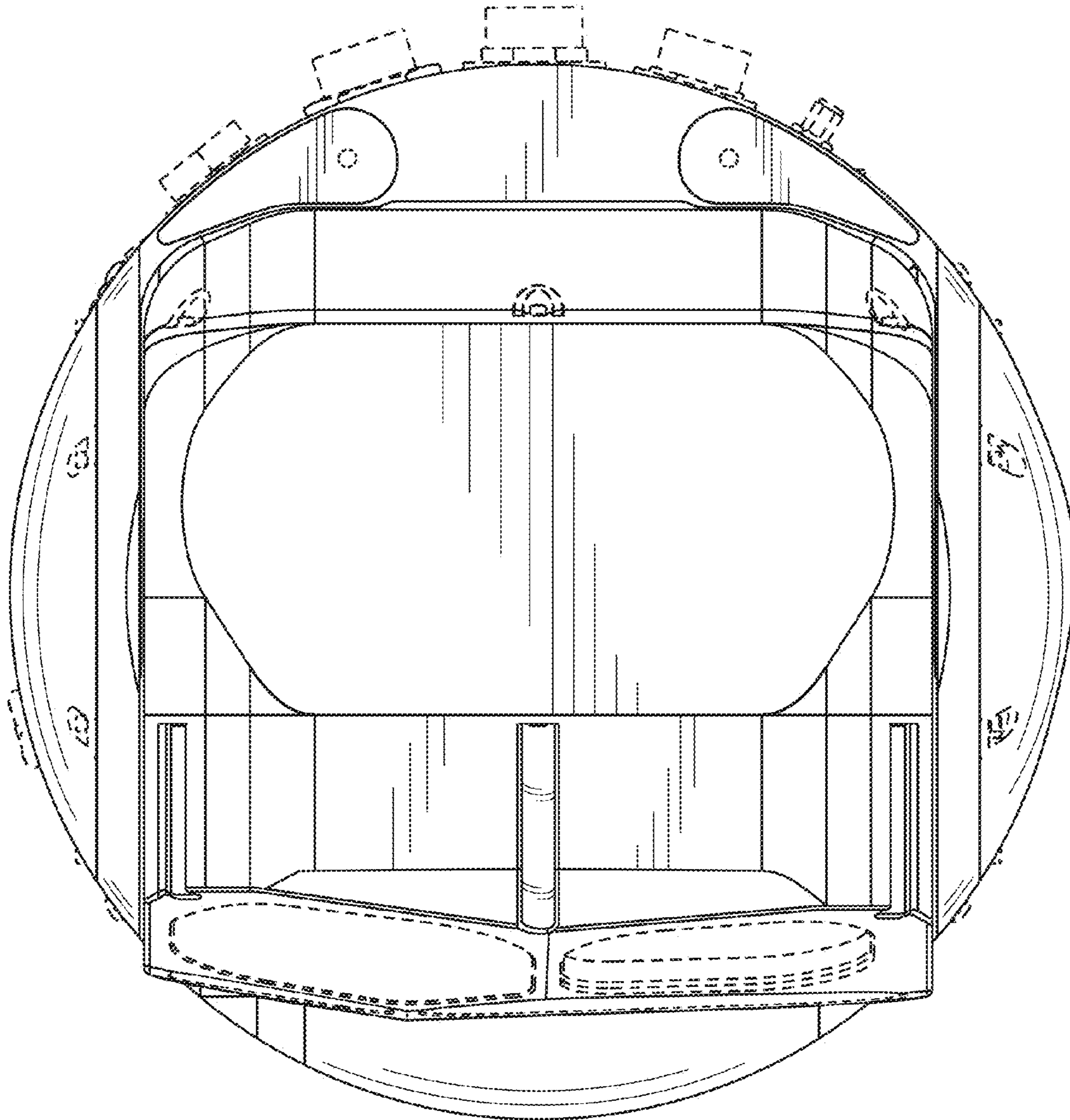


FIG. 7

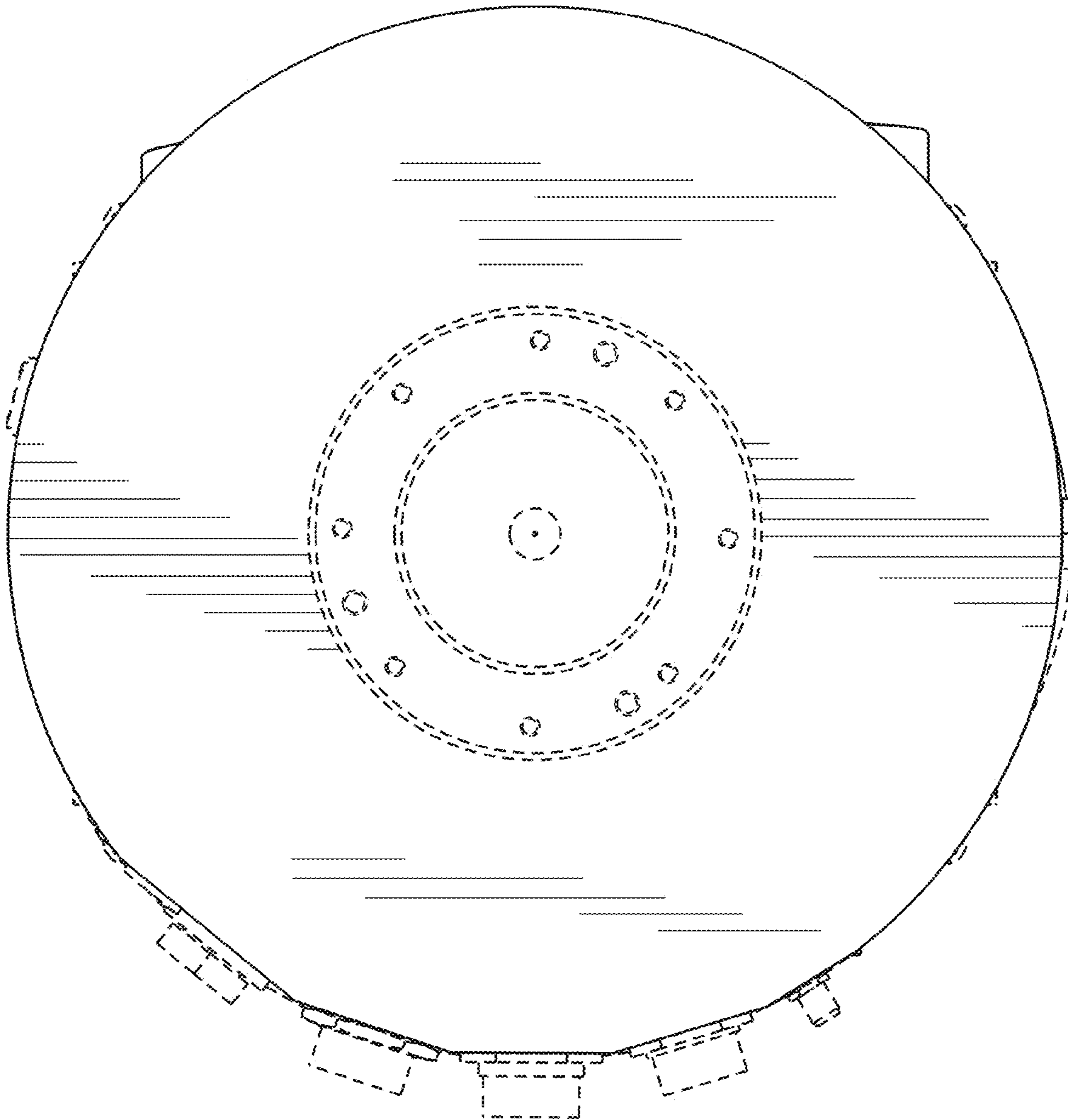


FIG. 8

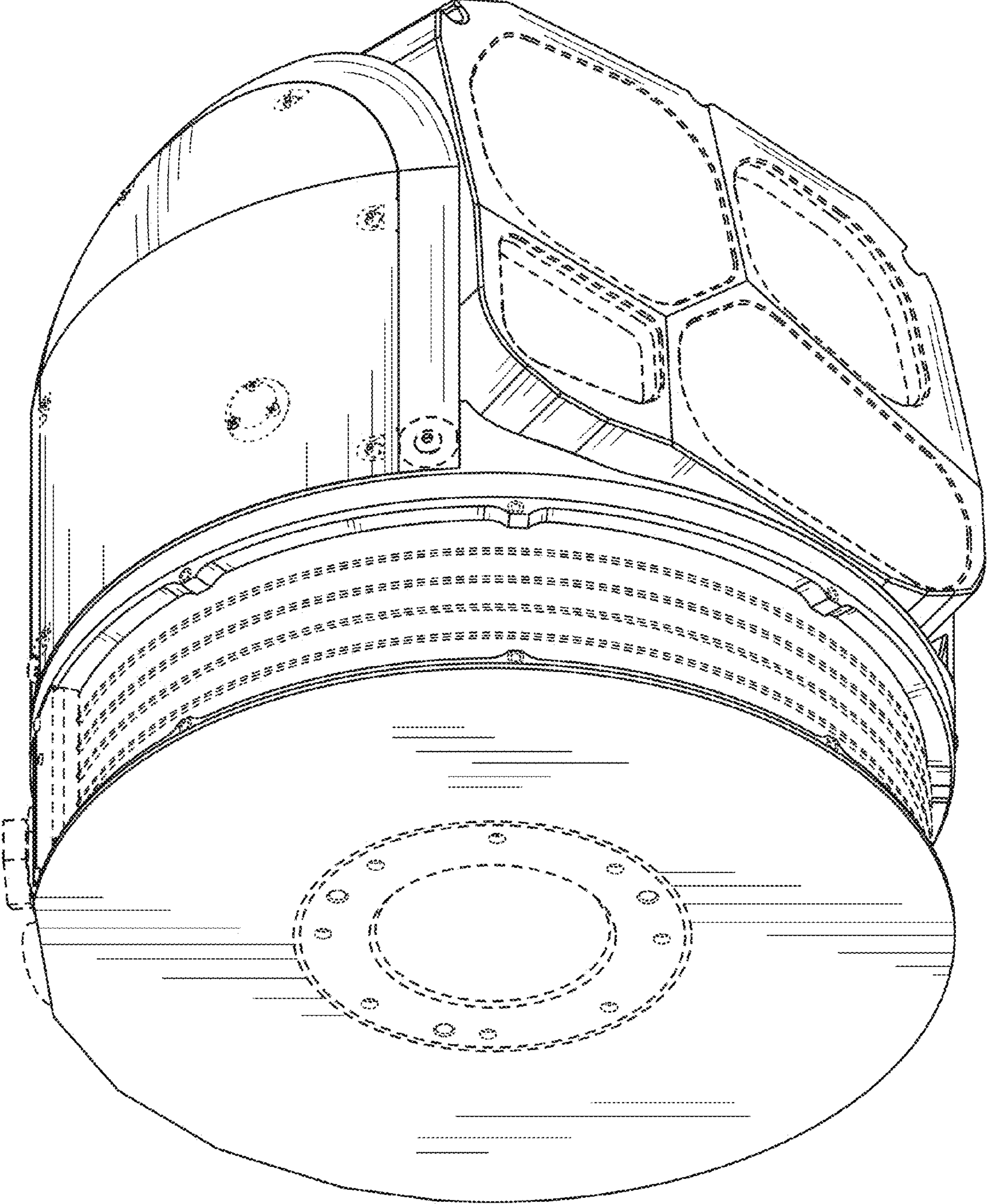


FIG. 9

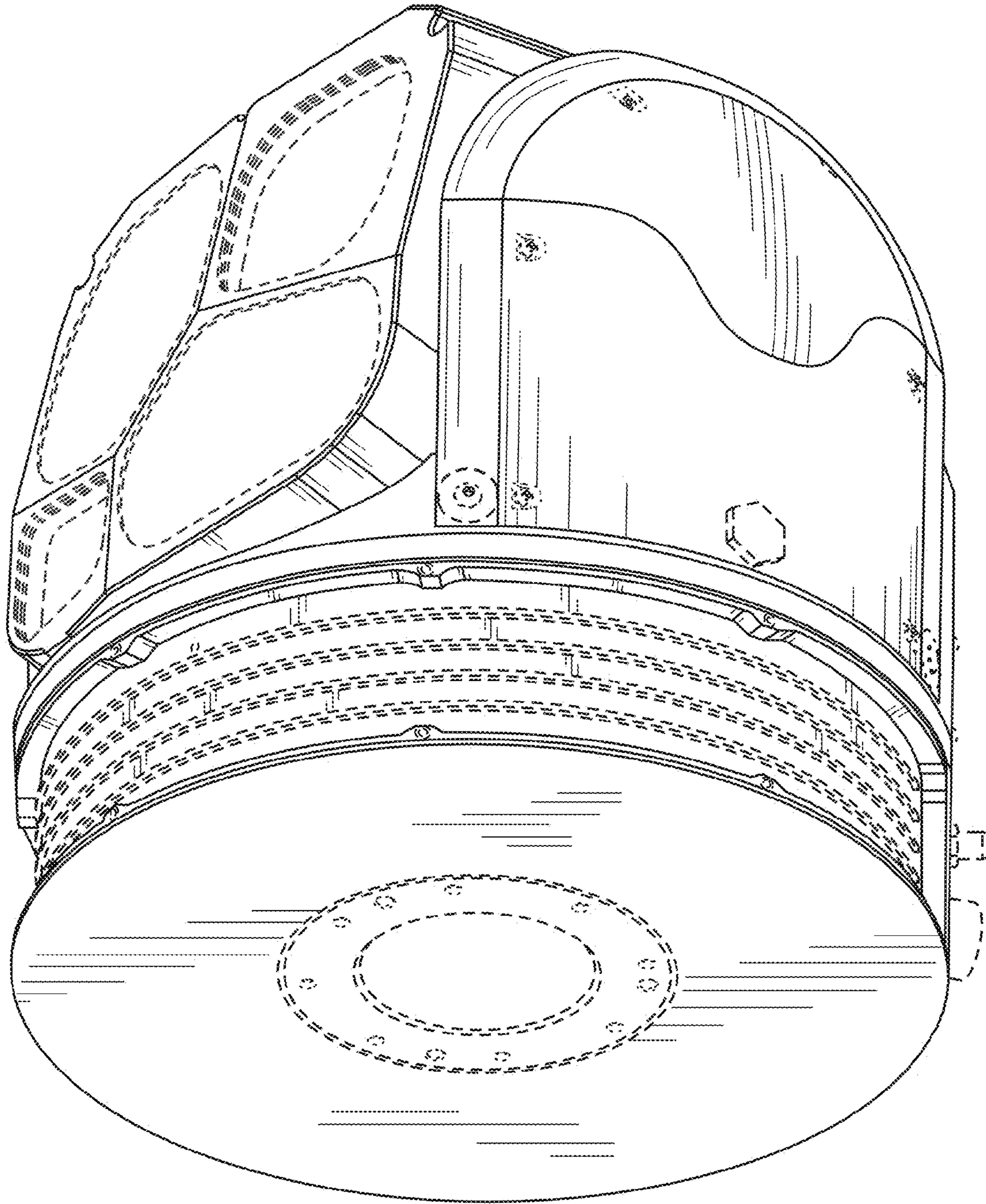


FIG. 10