



US00D715661S

(12) **United States Design Patent**
McKaughan et al.

(10) **Patent No.:** **US D715,661 S**
(45) **Date of Patent:** **** Oct. 21, 2014**

(54) **SENSOR HOUSING**

(71) Applicant: **FLIR Systems, Inc.**, Wilsonville, OR (US)

(72) Inventors: **Stephen V. McKaughan**, The Villages, FL (US); **Nicholas J. Lagadinos**, Billerica, MA (US)

(73) Assignee: **FLIR Systems, Inc.**, Wilsonville, OR (US)

(**) Term: **14 Years**

(21) Appl. No.: **29/455,403**

(22) Filed: **May 20, 2013**

(51) **LOC (10) Cl.** **10-04**

(52) **U.S. Cl.**
USPC **D10/53**; D16/203

(58) **Field of Classification Search**
CPC G01C 3/08; G02B 13/009; G02B 15/00; G03B 17/00; G03B 17/561; G03B 15/00; G03B 37/10; G08B 13/19619; G08B 13/1963; G08B 13/19697; G08B 17/00; H04N 5/2251; H04N 5/23296; H04N 5/247; H04N 5/33; H04N 5/2254; H04N 5/2252
USPC D10/52, 53; D16/200, 202–204, D16/208–210; 348/143, 151, 373–376; 358/909.1; 396/535–541, 427
See application file for complete search history.

(56) **References Cited**

U.S. PATENT DOCUMENTS

D388,450 S	12/1997	Hamano et al.
D399,517 S	10/1998	Hasegawa
D402,677 S	12/1998	Hiraguchi
6,525,766 B1	2/2003	Ikoma et al.
D473,888 S	4/2003	Jones et al.
D489,742 S	5/2004	Nagai

D502,196 S	2/2005	Miyazaki	
D517,585 S	3/2006	Iino et al.	
D518,080 S	3/2006	Uehara	
D536,357 S	2/2007	Koby	
D542,319 S	5/2007	Ishida et al.	
D545,860 S	7/2007	Miyazaki	
D550,738 S	9/2007	Hsia et al.	
D552,148 S	10/2007	Yamakawa et al.	
D552,650 S	10/2007	Yamakawa et al.	
D556,803 S	12/2007	Ishida	
D562,870 S	2/2008	Komatsu et al.	
D574,870 S	8/2008	Takahashi	
7,435,019 B2	10/2008	Lee	
7,446,813 B2	11/2008	Nakamoto et al.	
D608,811 S	1/2010	Frank et al.	
D609,732 S	2/2010	Frank et al.	
D671,157 S *	11/2012	Richardson et al. D16/202
8,687,111 B2 *	4/2014	McKaughan et al. 348/373
2008/0267611 A1	10/2008	Huang	

* cited by examiner

Primary Examiner — Antoine D Davis

(74) *Attorney, Agent, or Firm* — Haynes and Boone, LLP

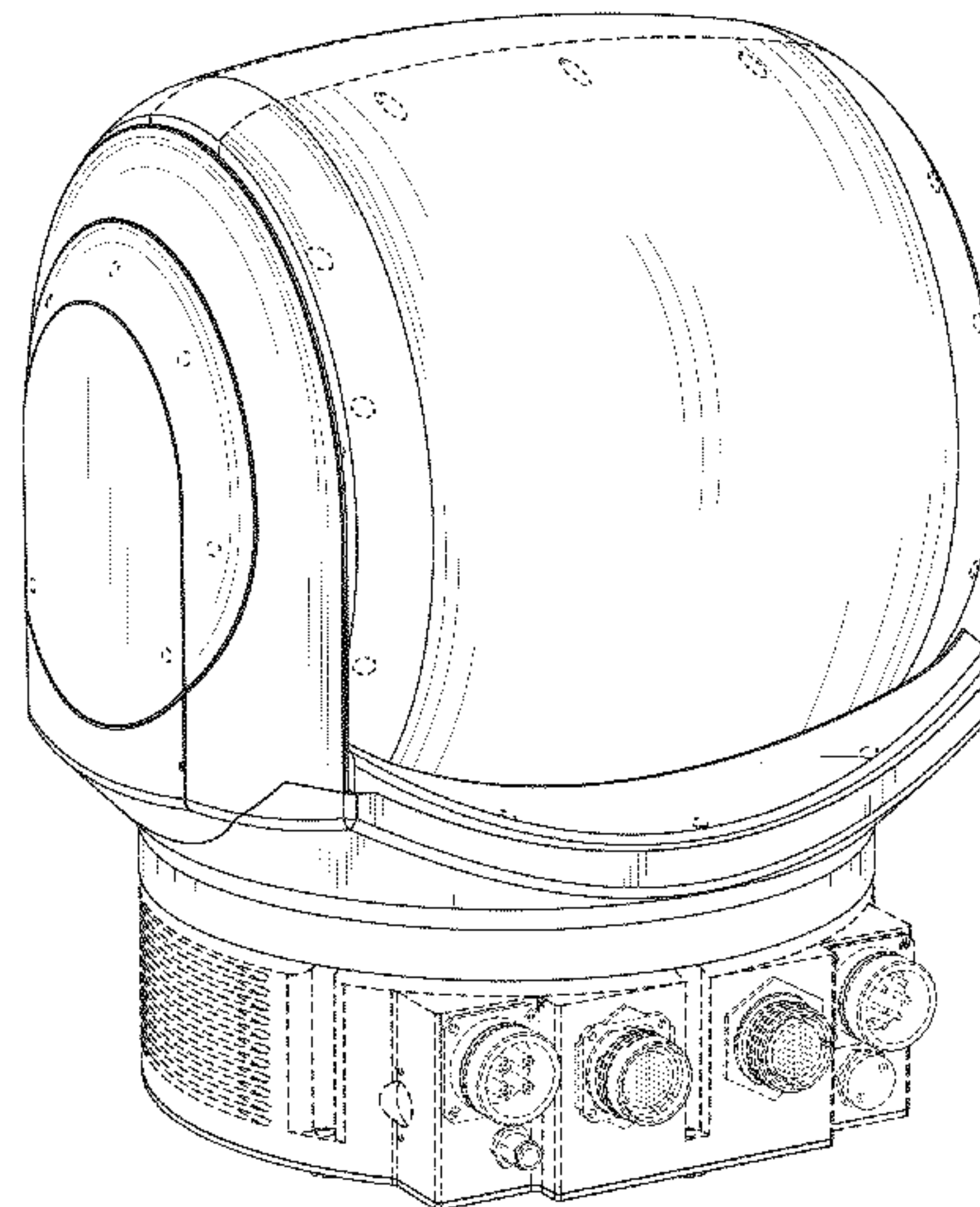
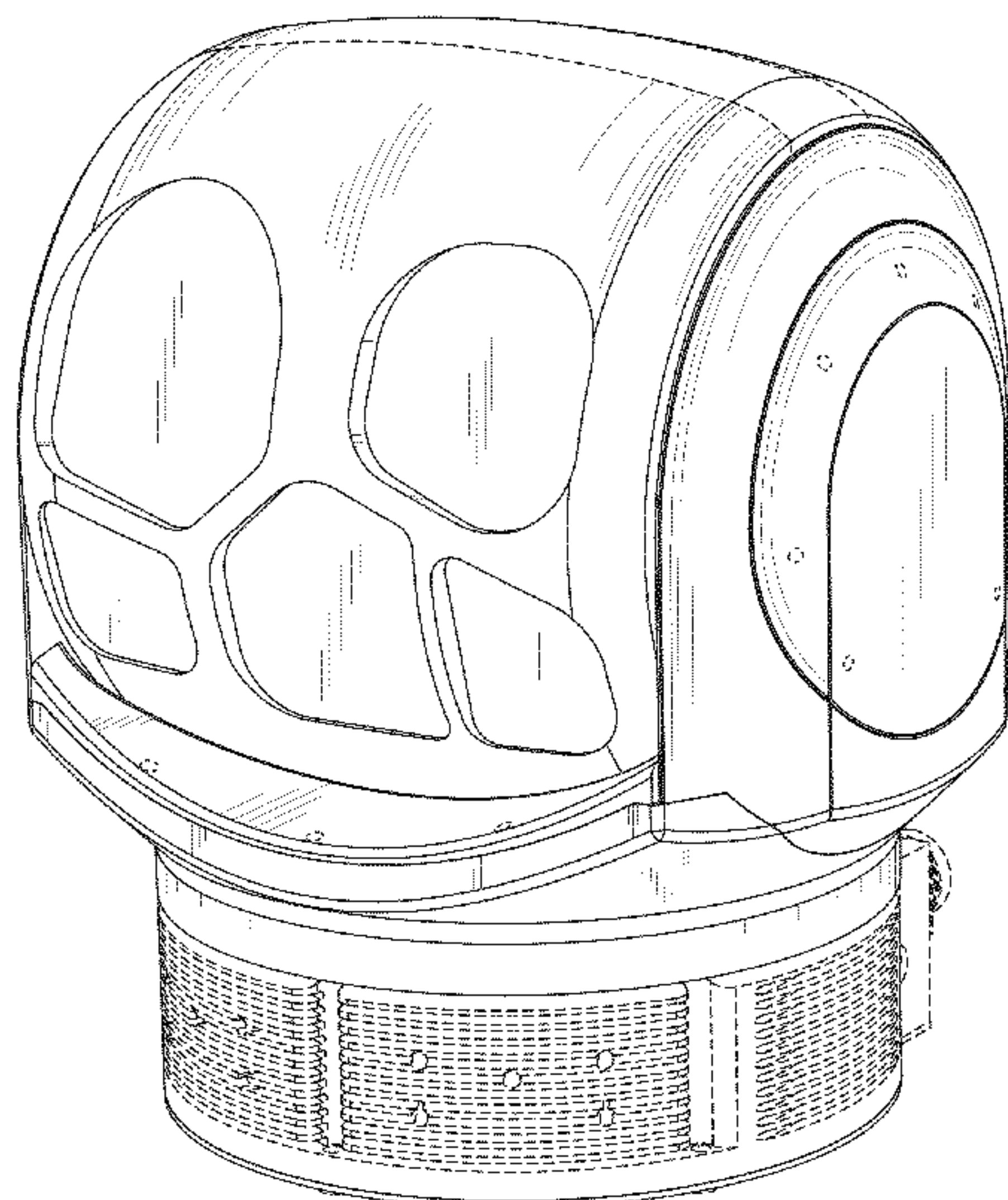
(57) **CLAIM**

The ornamental design for a sensor housing, as shown and described.

DESCRIPTION

FIG. 1 is a front-left-top perspective view of a sensor housing showing my new design;
FIG. 2 is a rear-left-top perspective view thereof;
FIG. 3 is a front elevational view thereof;
FIG. 4 is a rear elevational view thereof;
FIG. 5 is a right side elevational view thereof;
FIG. 6 is a left side elevational view thereof;
FIG. 7 is a top plan view thereof; and,
FIG. 8 is a bottom plan view thereof.
The broken lines shown in the drawings are for the purpose of illustrating environmental matter and/or illustrating portions of the sensor housing that form no part of the claimed design.

1 Claim, 8 Drawing Sheets



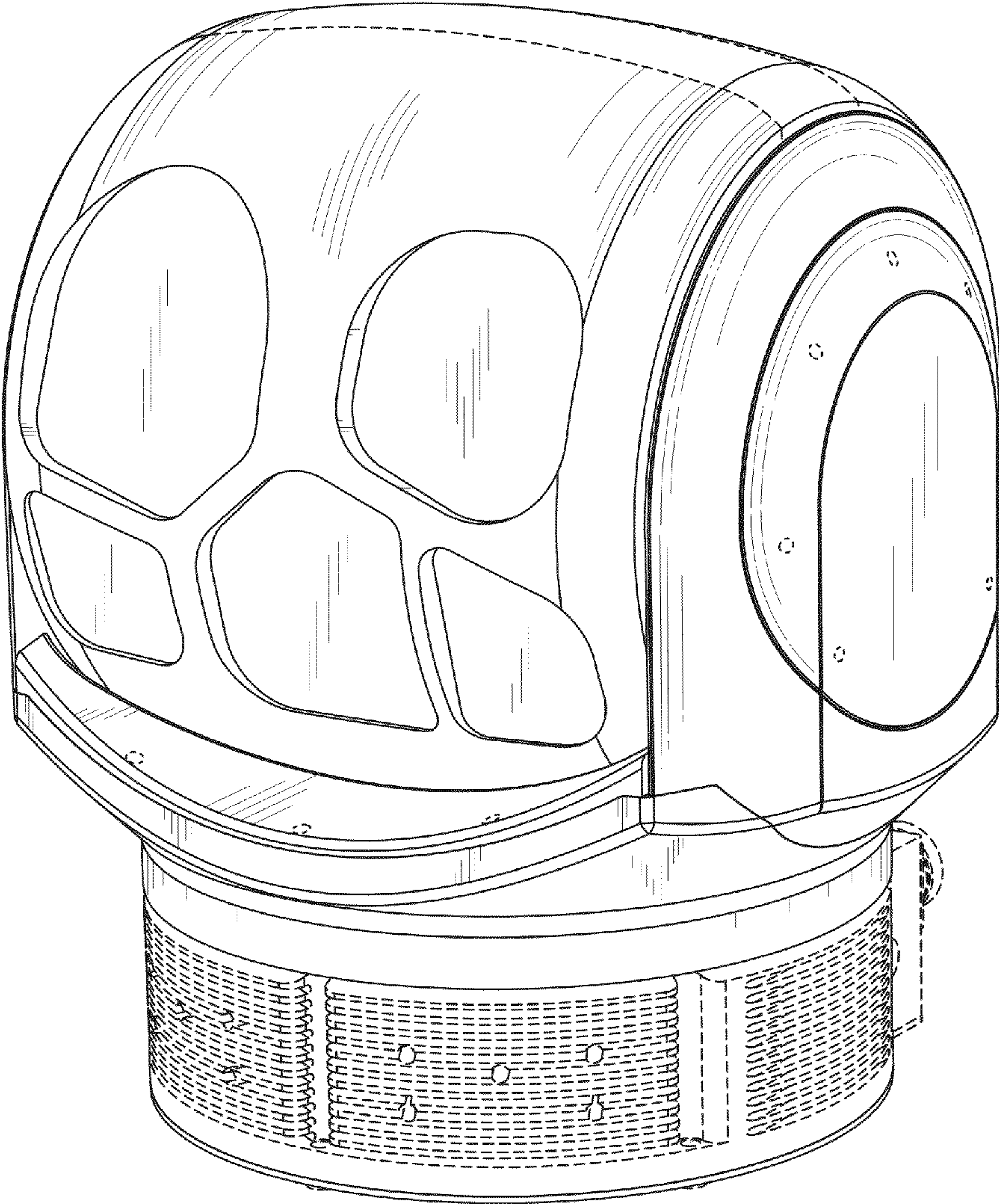


FIG. 1

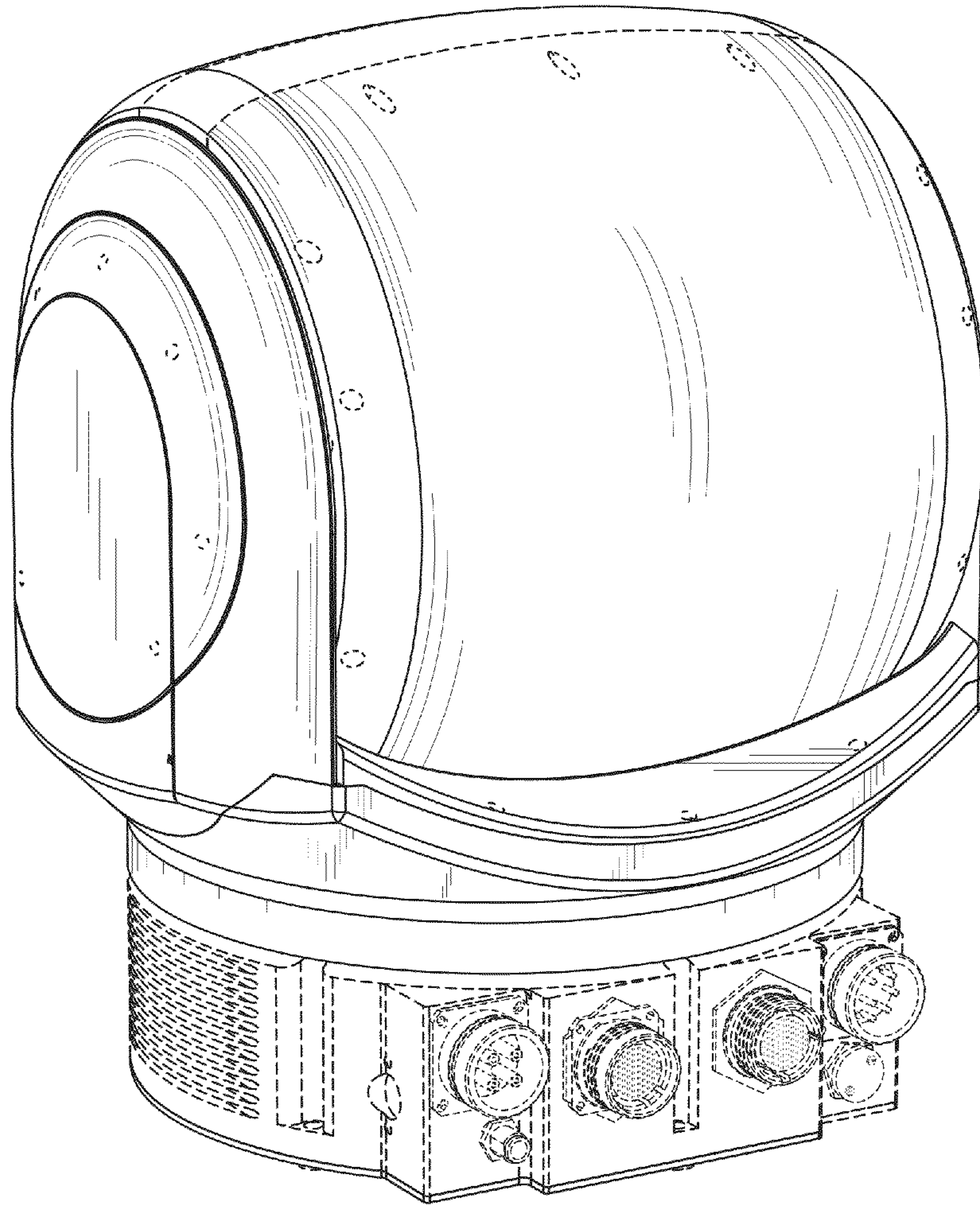


FIG. 2

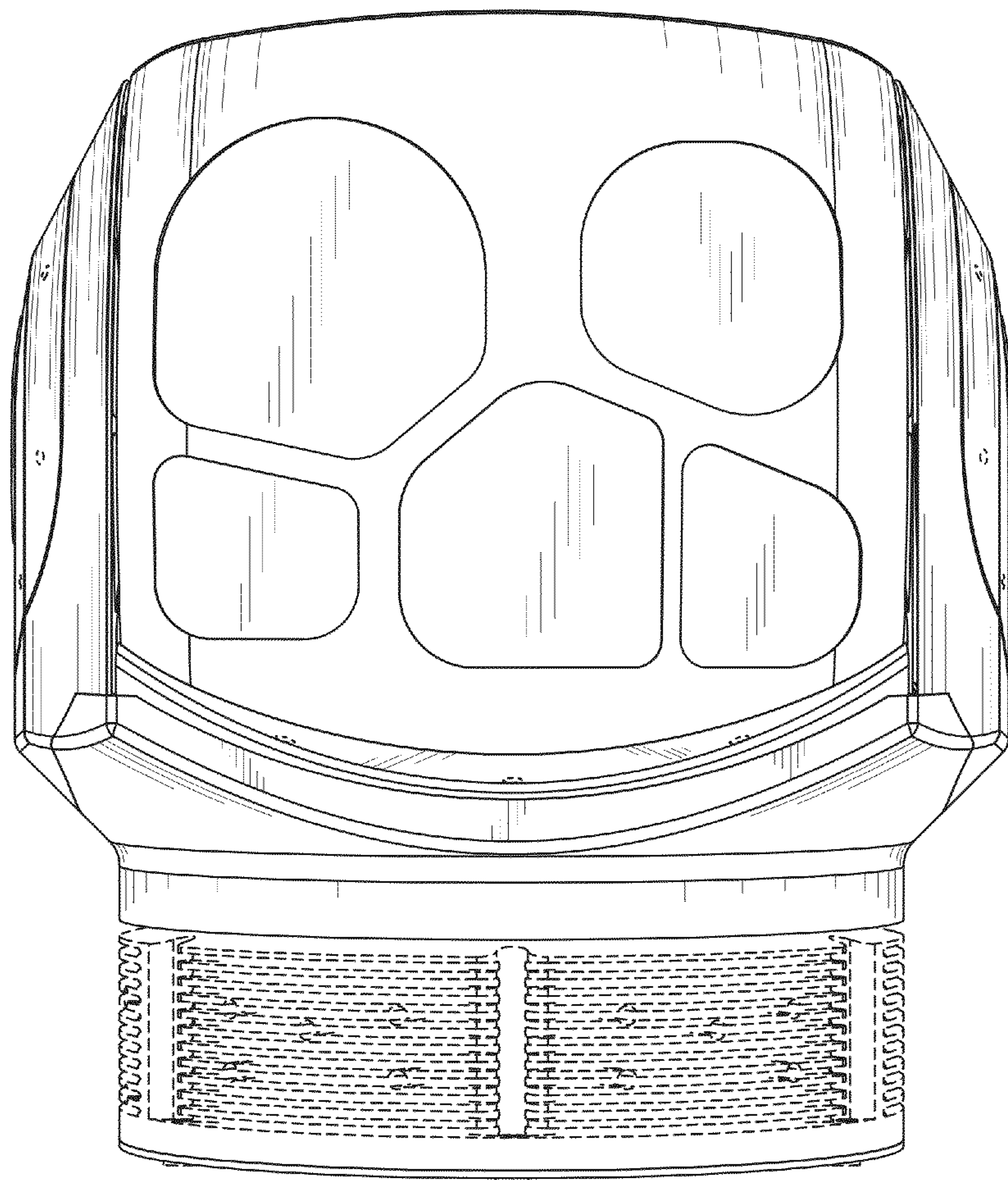


FIG. 3

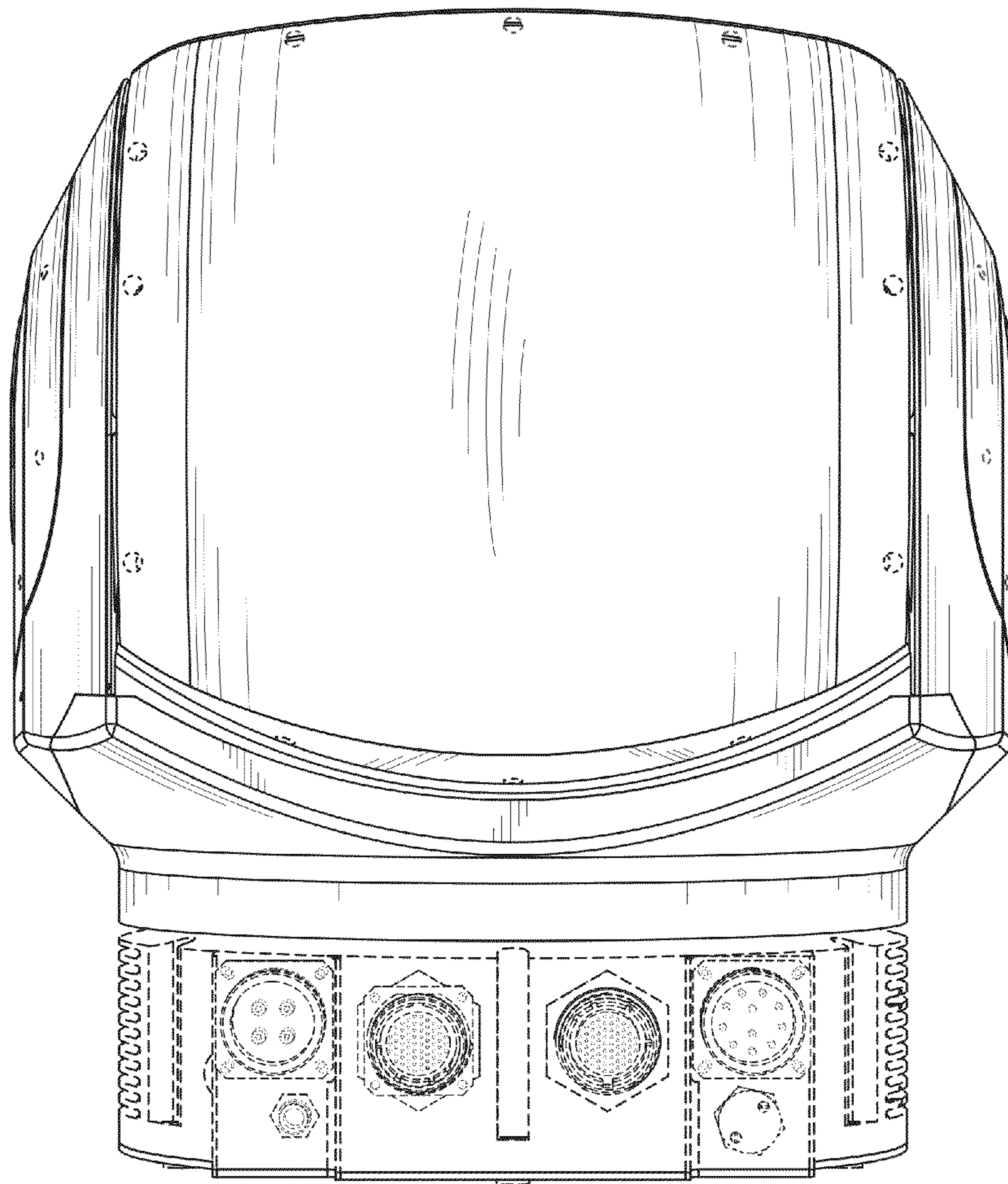


FIG. 4

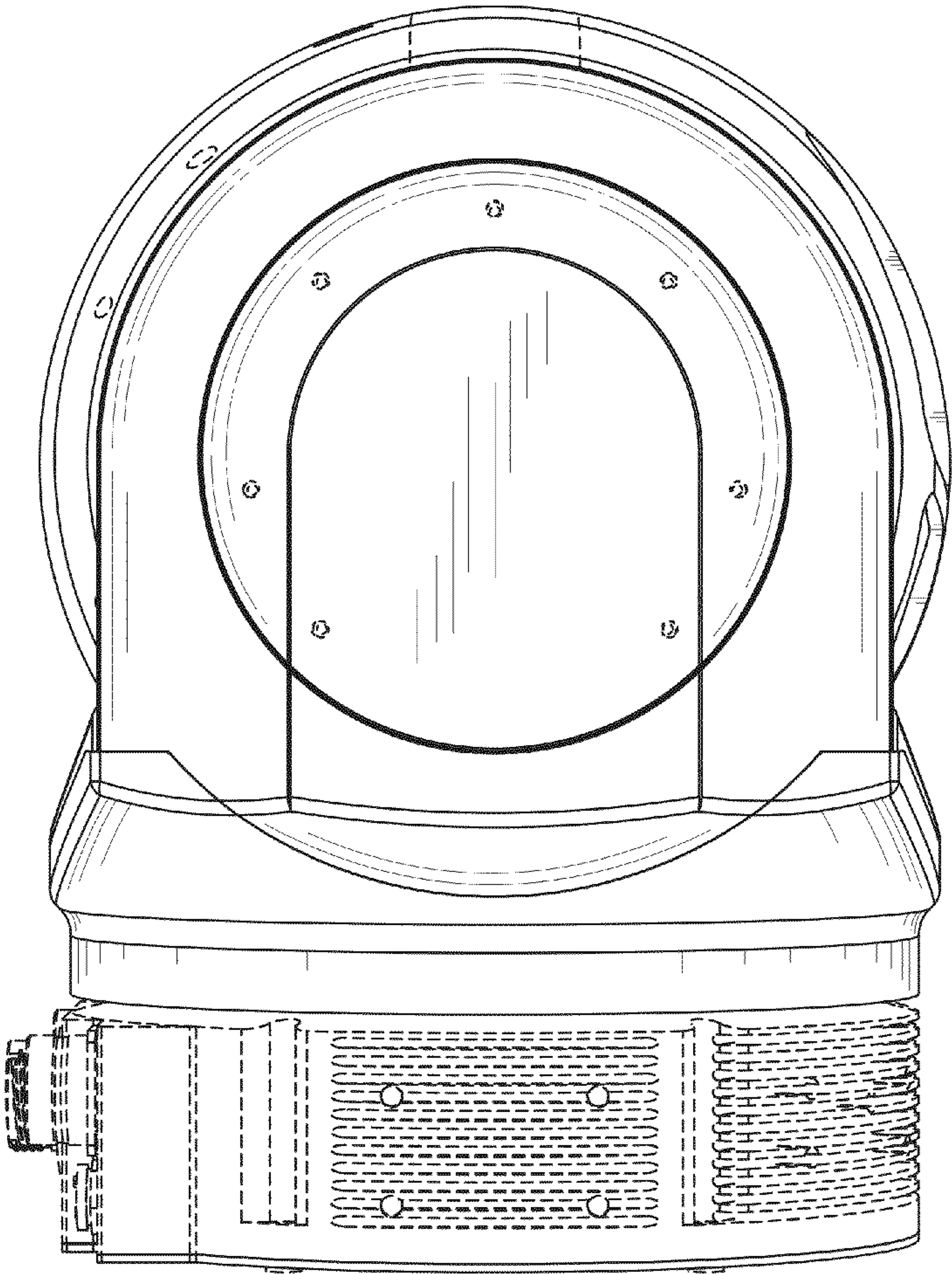


FIG. 5

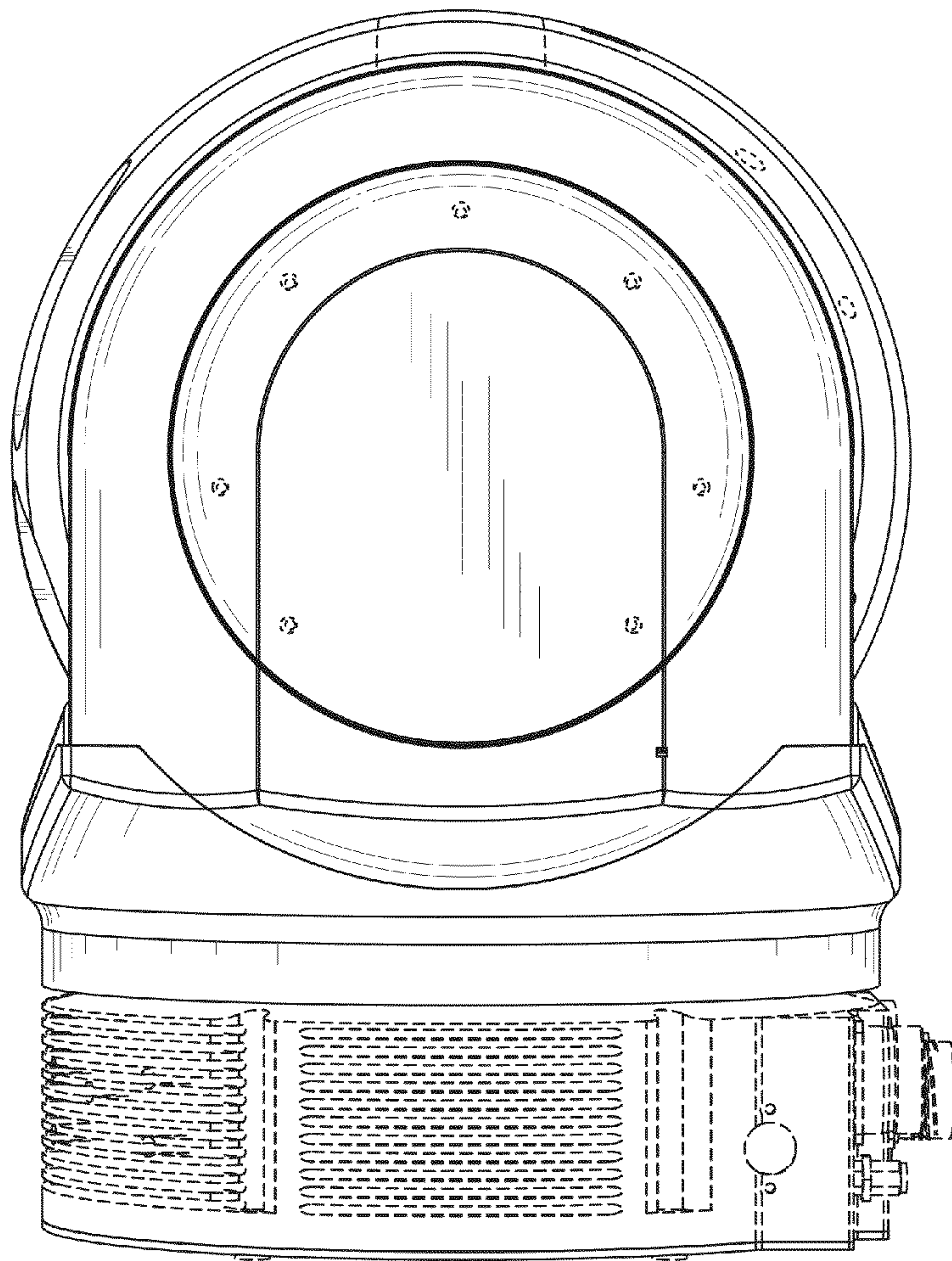


FIG. 6

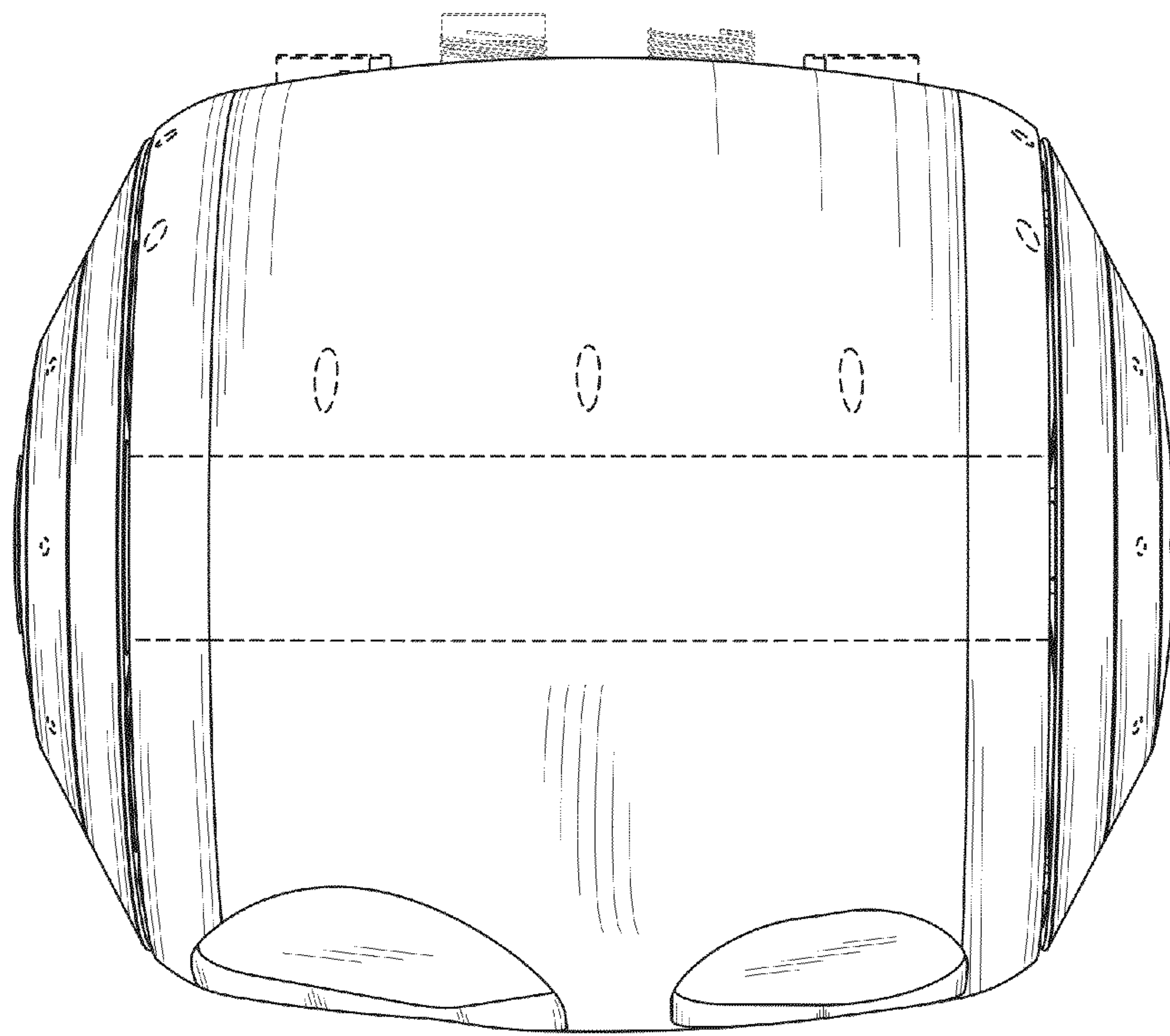


FIG. 7

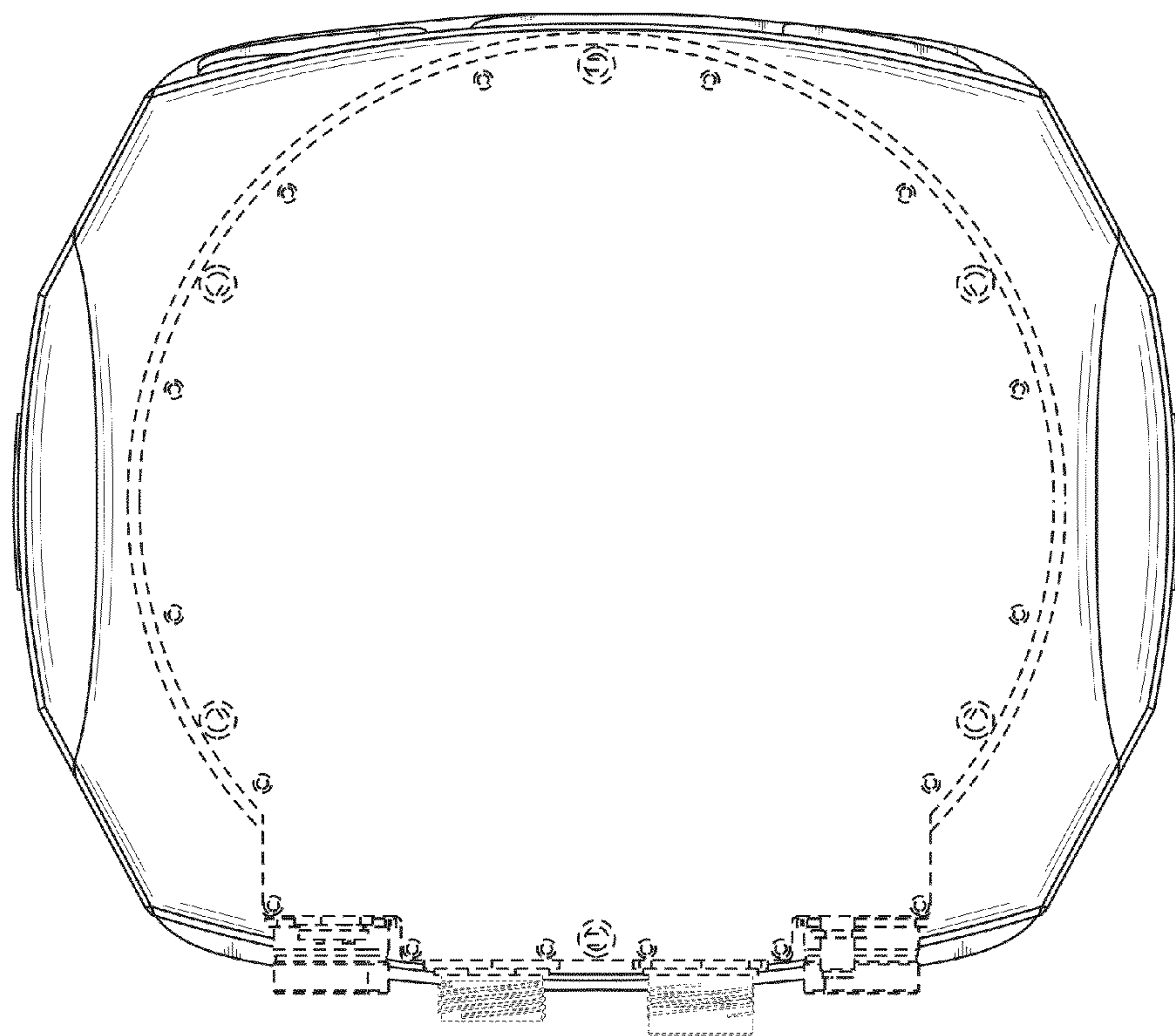


FIG. 8