



US00D715653S

(12) **United States Design Patent**  
**Lavigne et al.**

(10) **Patent No.:** **US D715,653 S**  
(45) **Date of Patent:** **\*\* Oct. 21, 2014**

- (54) **FRAGRANCE BOTTLE WITH CAP**
- (71) Applicants: **Richard Lavigne**, Hastings-on-Hudson, NY (US); **Elizabeth Bogert**, Croton-on-Hudson, NY (US); **Michelle A. Badalich**, New York, NY (US)
- (72) Inventors: **Richard Lavigne**, Hastings-on-Hudson, NY (US); **Elizabeth Bogert**, Croton-on-Hudson, NY (US); **Michelle A. Badalich**, New York, NY (US)

D539,983 S *	4/2007	Nobuto et al.	.....	D28/85
D557,612 S *	12/2007	Slimane	.....	D9/687
D561,593 S	2/2008	Gomez		
D564,898 S	3/2008	McGuinness		
D580,778 S *	11/2008	Konckier	.....	D9/694
D629,698 S	12/2010	Kim et al.		
D629,699 S	12/2010	Kim et al.		
D644,108 S	8/2011	Vila Calvo		
D655,200 S	3/2012	Gross et al.		
D704,065 S *	5/2014	de Lima Paschoal et al.	..	D9/529
D706,542 S *	6/2014	Lavigne	.....	D4/135

(73) Assignee: **Michael Kors, LLC**, New York, NY (US)

(\*\*) Term: **14 Years**

(21) Appl. No.: **29/437,589**

(22) Filed: **Nov. 19, 2012**

(51) **LOC (10) Cl.** ..... **09-01**

(52) **U.S. Cl.**  
USPC ..... **D9/529**; D9/560

(58) **Field of Classification Search**  
 CPC ..... B65D 1/00; B65D 1/02; B65D 1/40; B65D 69/00; B65D 79/00; B65D 81/00; B65D 83/00; B65D 83/14; B65D 83/38; B65D 90/02; B65D 2501/0009; B65D 2501/0081  
 USPC ..... D9/434-435, 444-445, 516, 529, 544, D9/546, 559-560, 564, 572-575, 682, D9/686-687, 693-694; D28/91.1; 215/379, 382; 220/660, 662, 669, 675  
 See application file for complete search history.

(56) **References Cited**

**U.S. PATENT DOCUMENTS**

D241,013 S *	8/1976	Dekker	.....	D9/529
D258,421 S *	3/1981	Polatschek et al.	.....	D9/520
D259,023 S	4/1981	Soderberg		
D264,310 S	5/1982	Thompson		
D264,311 S	5/1982	Thompson		
D511,688 S *	11/2005	Baron	.....	D9/560
D531,043 S	10/2006	Houtart et al.		

**FOREIGN PATENT DOCUMENTS**

CN	D301070713	12/2009
CN	301616040	7/2011
CN	301616043	7/2011
JP	D1304859	7/2007
JP	D1314535	11/2007
JP	D1314536	11/2007

\* cited by examiner

*Primary Examiner* — Ian Simmons

*Assistant Examiner* — Dana L Meyrow

(74) *Attorney, Agent, or Firm* — Cynthia R. Miller

(57) **CLAIM**

We claim the ornamental design for a fragrance bottle with cap, as shown and described.

**DESCRIPTION**

FIG. 1 is a top, front, right side perspective view of a first embodiment of our new design for a fragrance bottle with cap;  
 FIG. 2 is a front elevational view of the fragrance bottle with cap, shown in FIG. 1;  
 FIG. 3 is a rear elevational view of the fragrance bottle with cap, shown in FIG. 1;  
 FIG. 4 is a left side elevational view of the fragrance bottle with cap, shown in FIG. 1;  
 FIG. 5 is a right side elevational view of the fragrance bottle with cap, shown in FIG. 1;  
 FIG. 6 is a top plan view of the fragrance bottle with cap, shown in FIG. 1;  
 FIG. 7 is a bottom plan view of the fragrance bottle with cap, shown in FIG. 1;

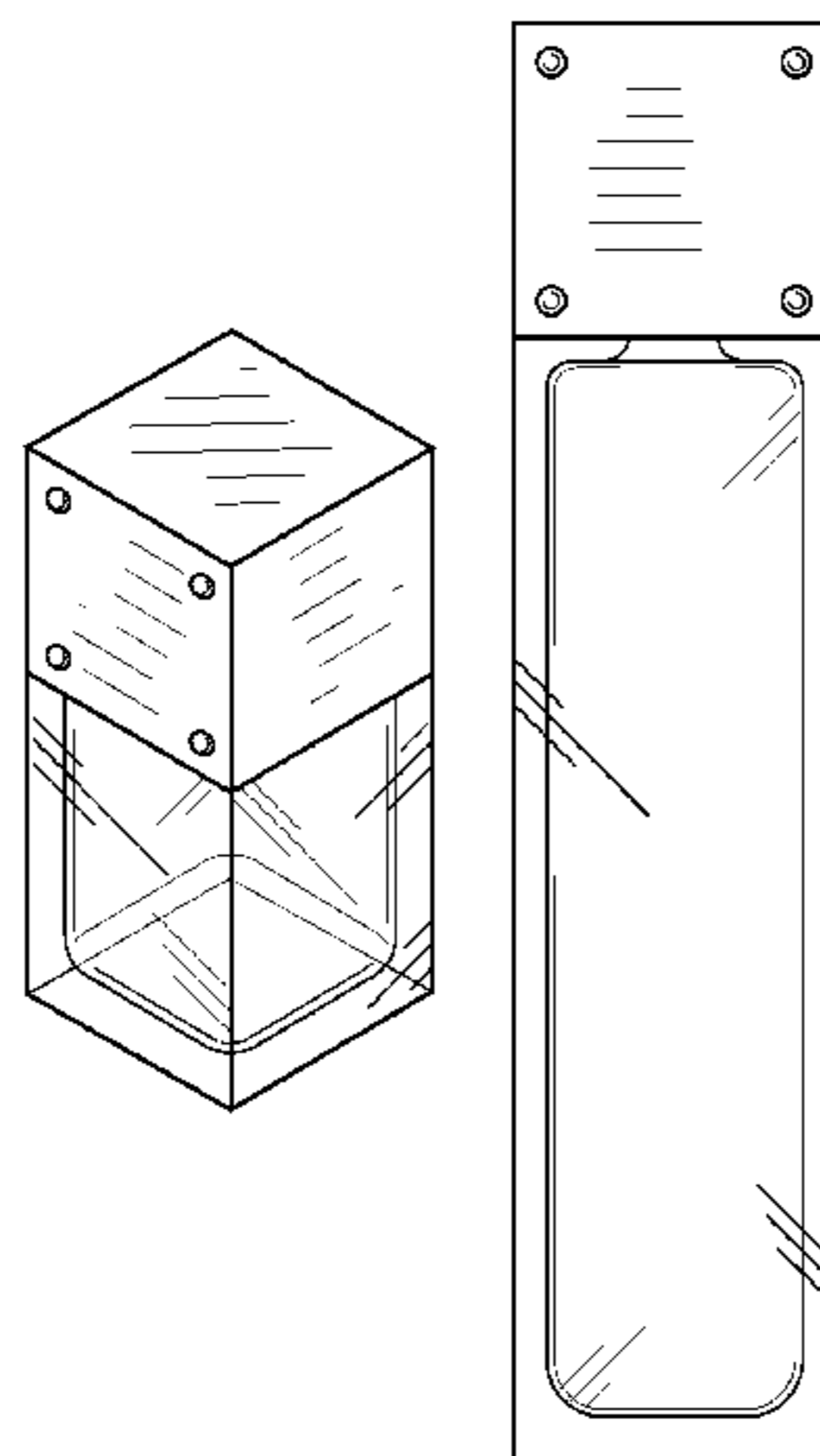


FIG. 8 is a top, front, right side perspective view of a second embodiment of our new design for a fragrance bottle with cap;

FIG. 9 is a front elevational view of the fragrance bottle with cap, shown in FIG. 8;

FIG. 10 is a rear elevational view of the fragrance bottle with cap, shown in FIG. 8;

FIG. 11 is a left side elevational view of the fragrance bottle with cap, shown in FIG. 8;

FIG. 12 is a right side elevational view of the fragrance bottle with cap, shown in FIG. 8;

FIG. 13 is a top plan view of the fragrance bottle with cap, shown in FIG. 8;

FIG. 14 is a bottom plan view of the fragrance bottle with cap, shown in FIG. 8;

FIG. 15 is a top, front, right side perspective view of a third embodiment of our new design for a fragrance bottle with cap;

FIG. 16 is a front elevational view of the fragrance bottle with cap, shown in FIG. 15;

FIG. 17 is a rear elevational view of the fragrance bottle with cap, shown in FIG. 15;

FIG. 18 is a left side elevational view of the fragrance bottle with cap, shown in FIG. 15;

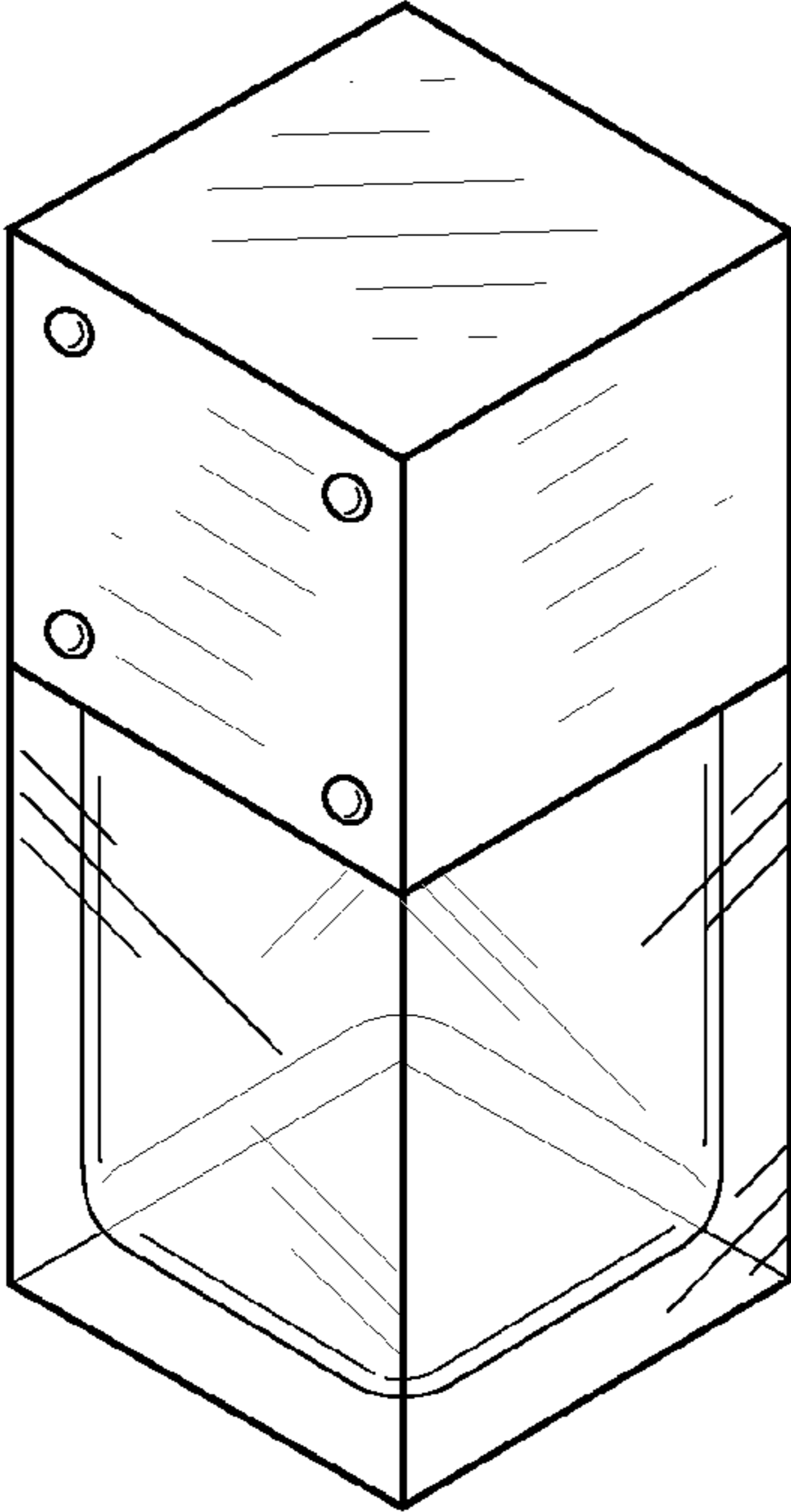
FIG. 19 is a right side elevational view of the fragrance bottle with cap, shown in FIG. 15;

FIG. 20 is a top plan view of the fragrance bottle with cap, shown in FIG. 15; and,

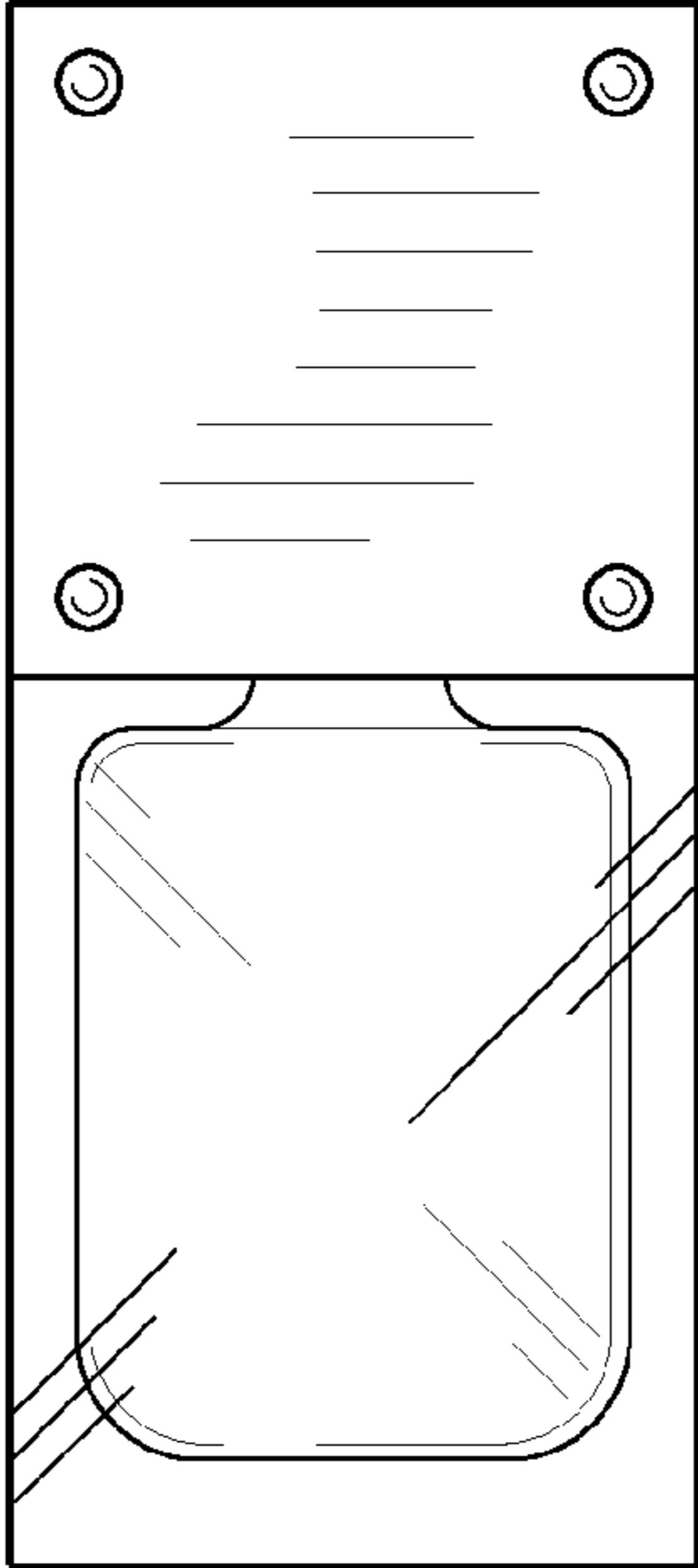
FIG. 21 is a bottom plan view of the fragrance bottle with cap, shown in FIG. 15.

**1 Claim, 9 Drawing Sheets**

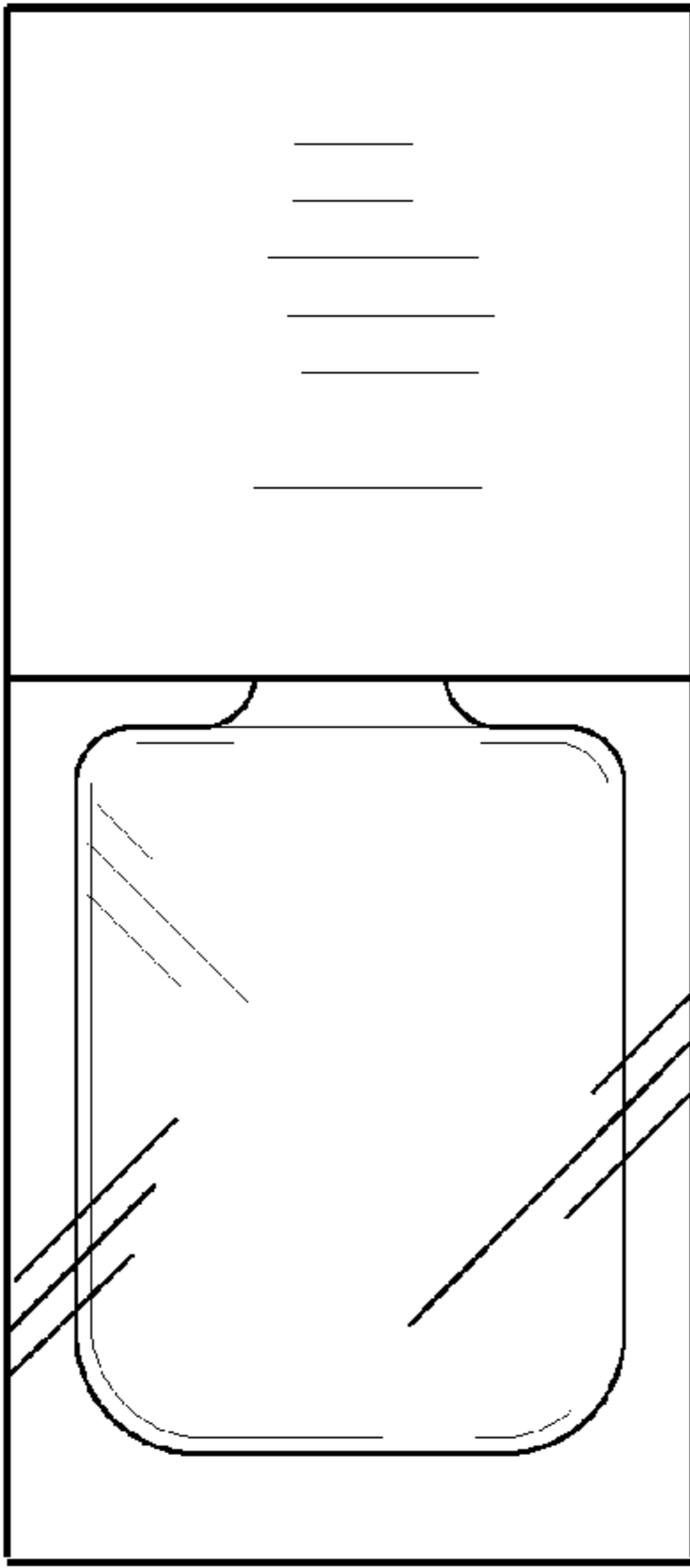
**FIG. 1**



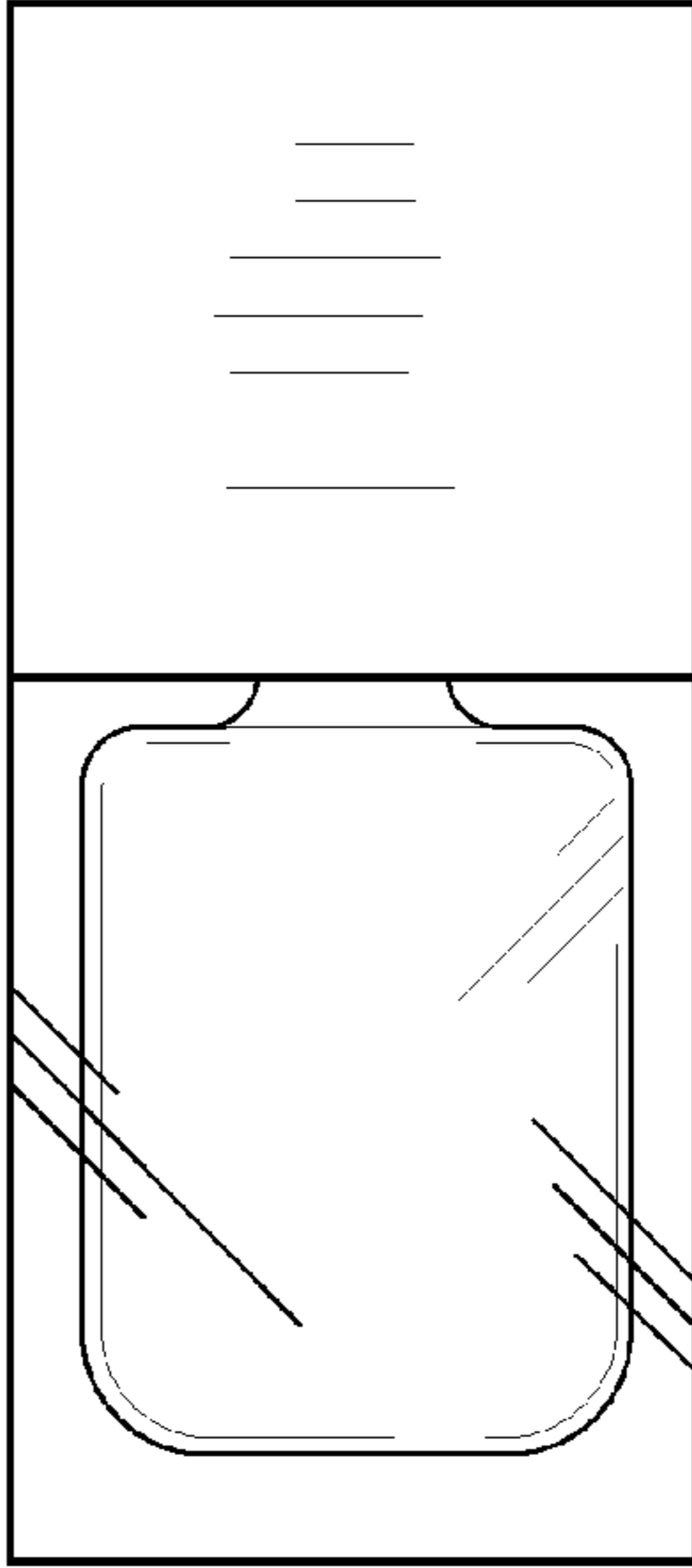
**FIG. 2**



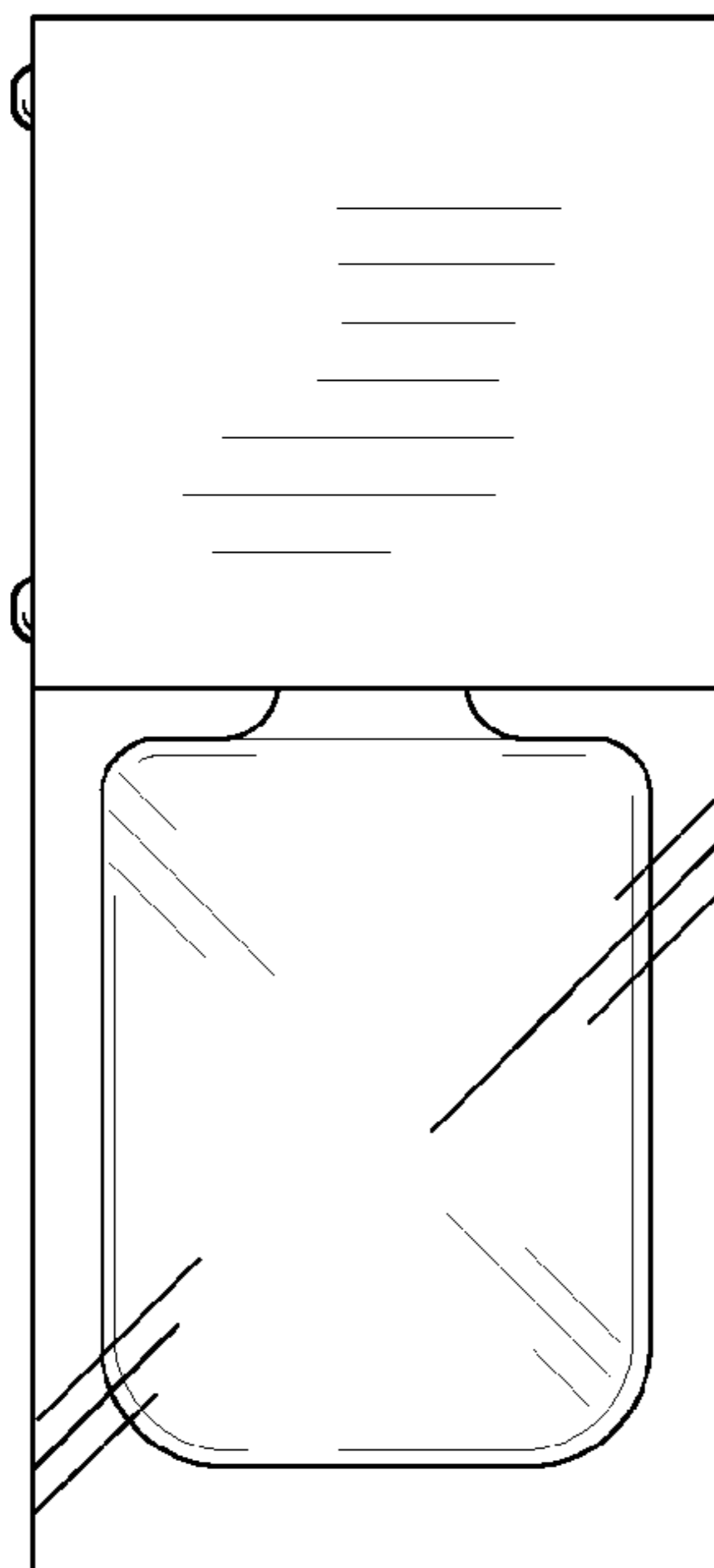
**FIG. 3**



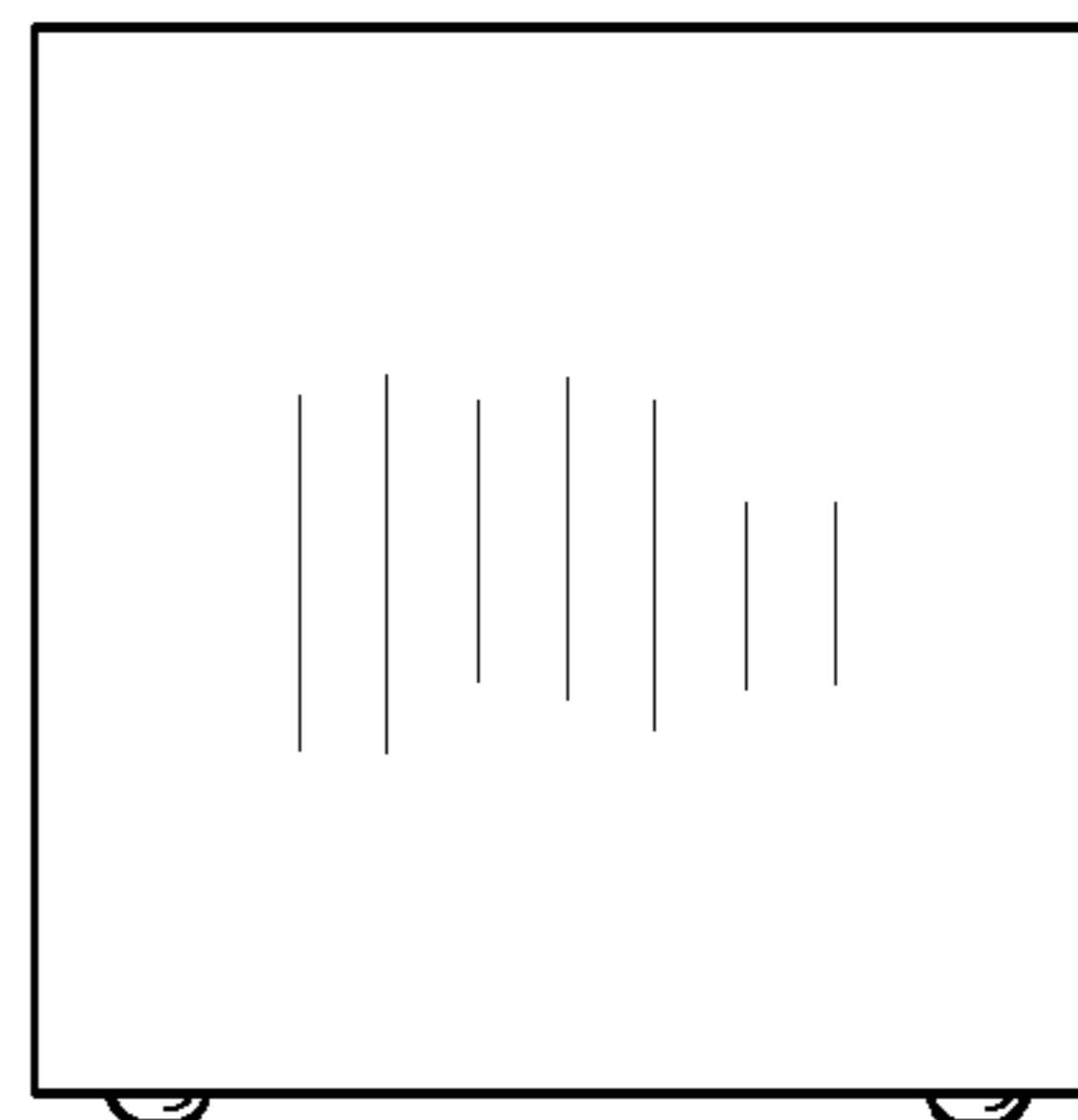
**FIG. 4**



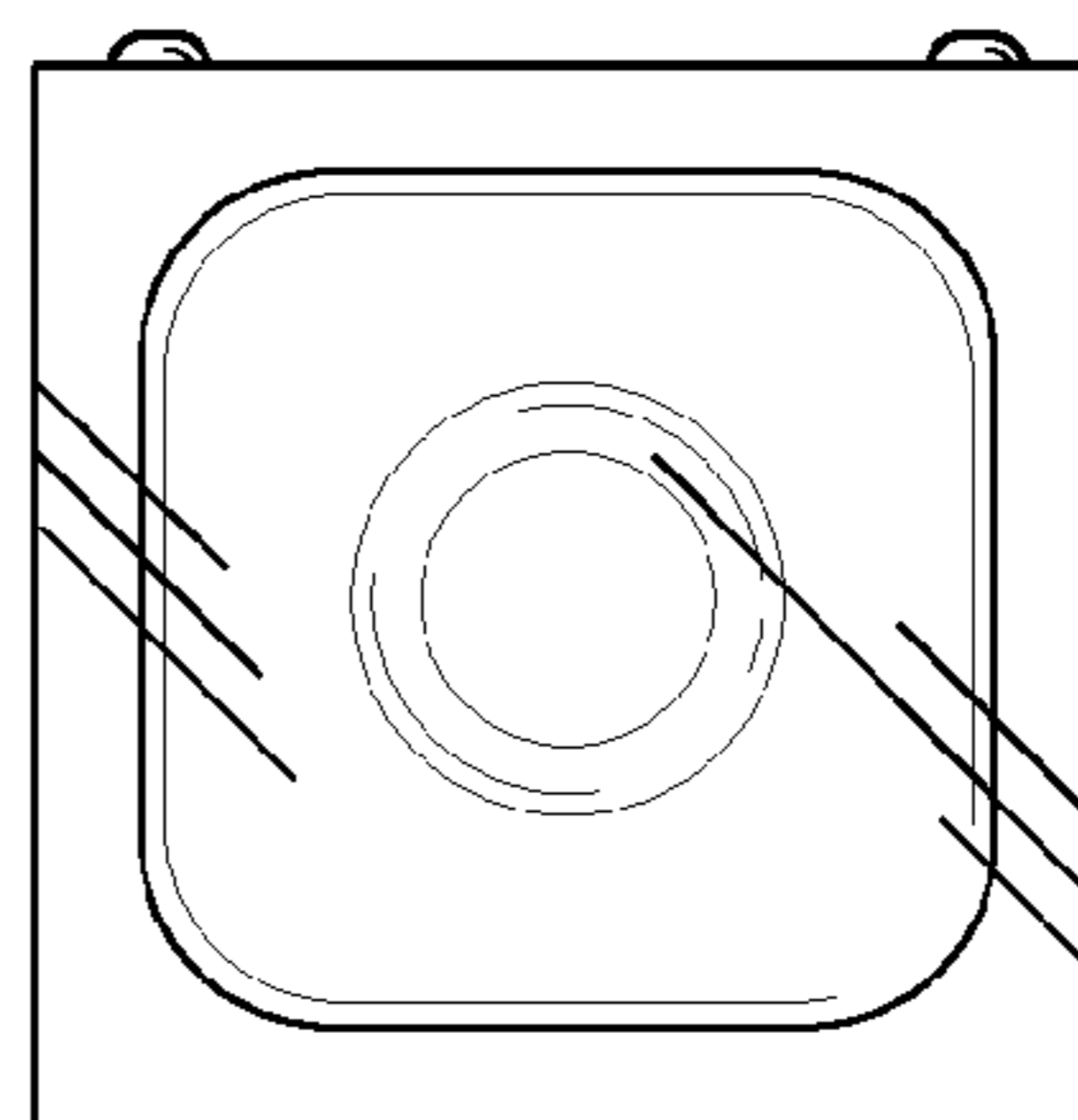
**FIG. 5**



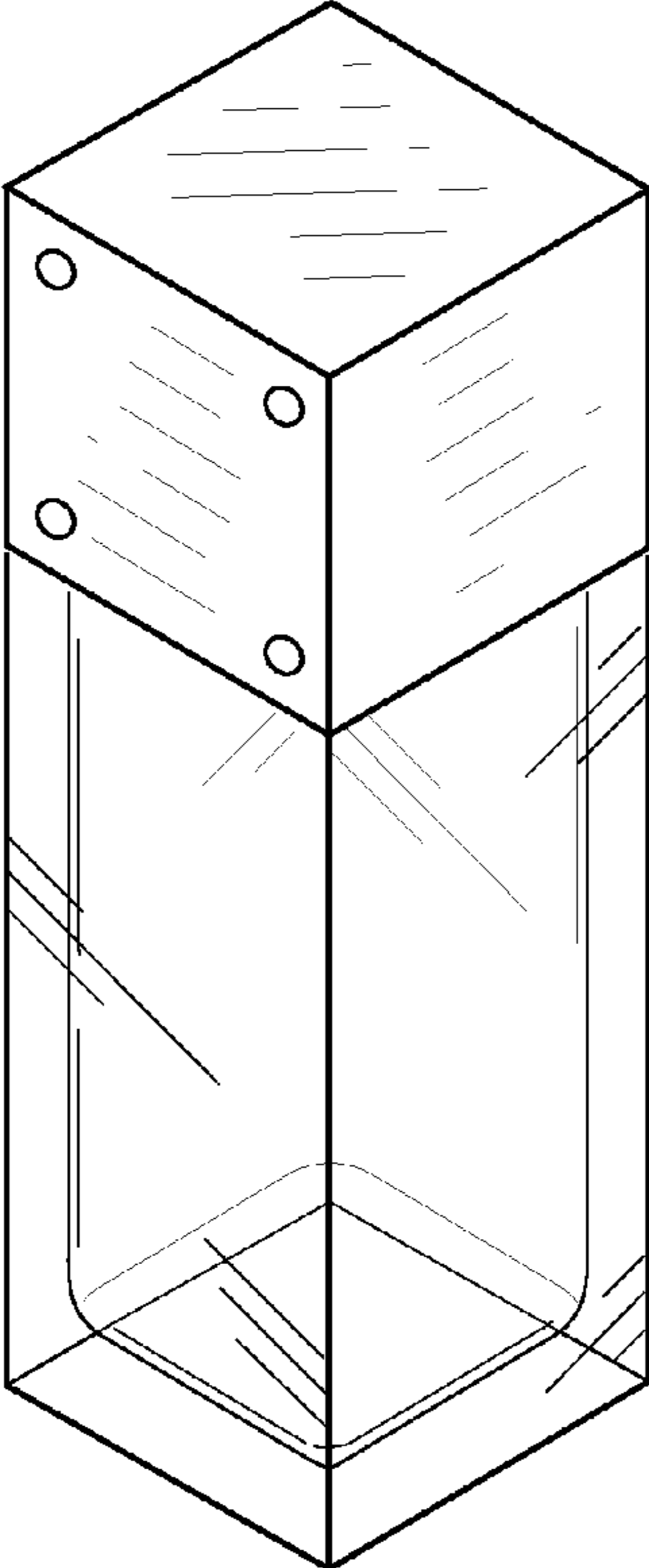
**FIG. 6**



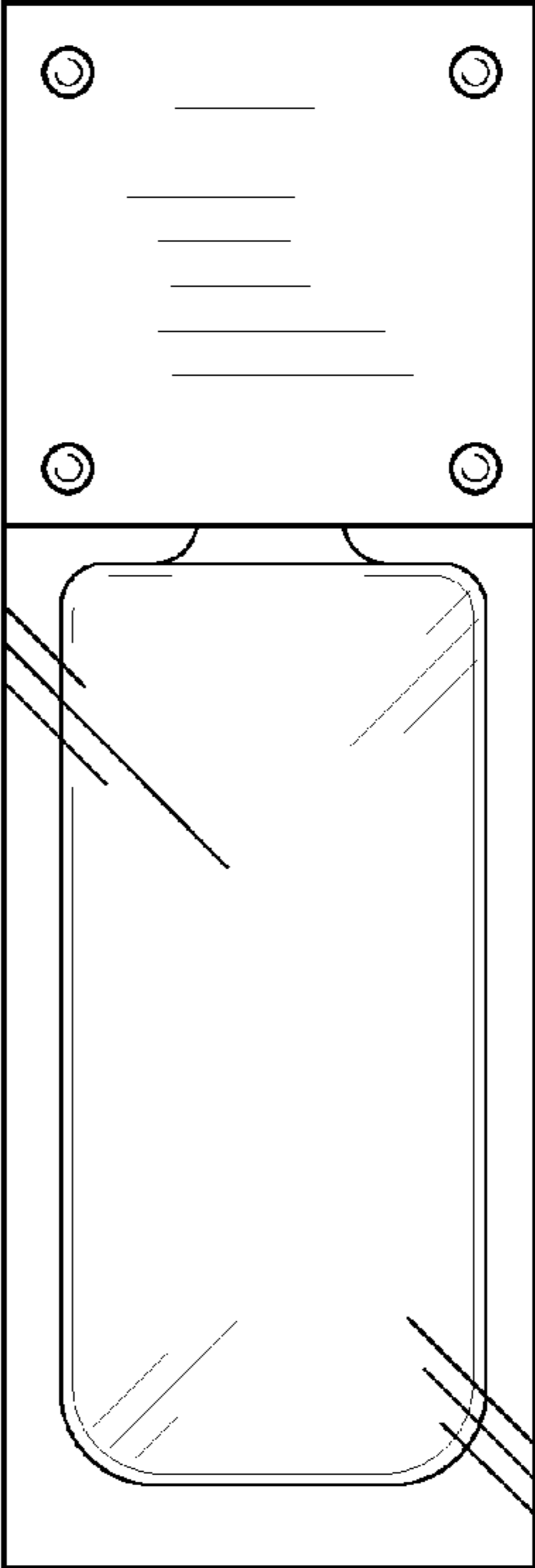
**FIG. 7**



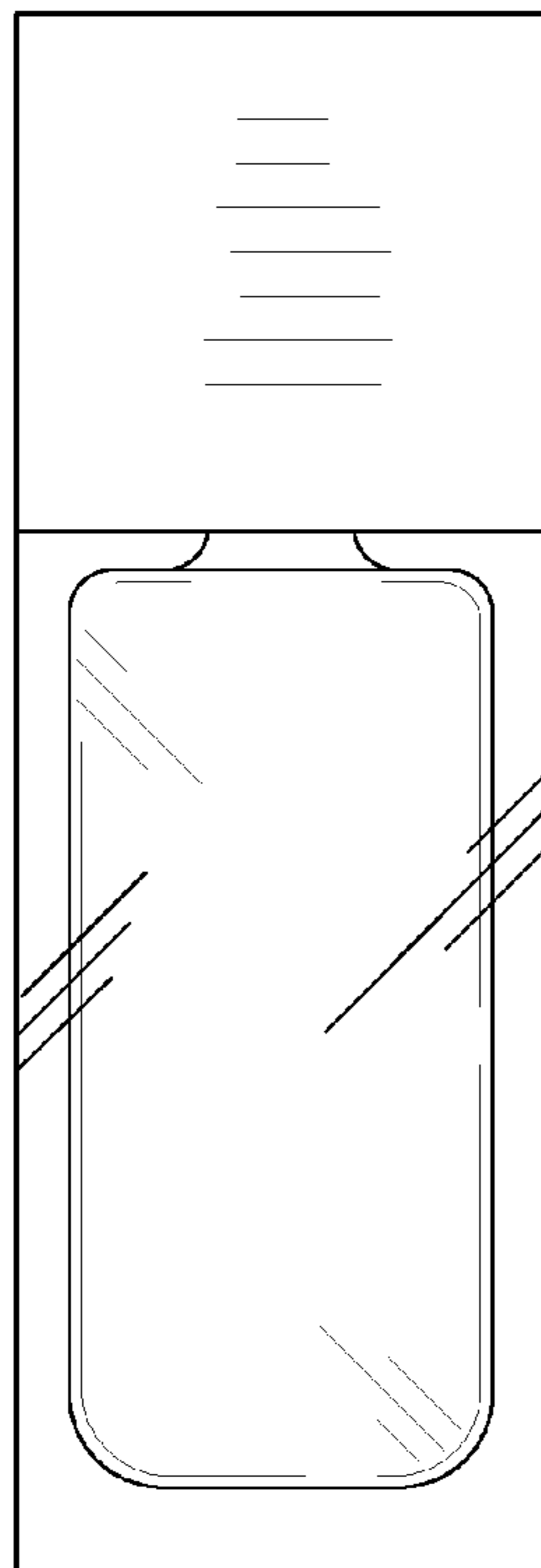
**FIG. 8**



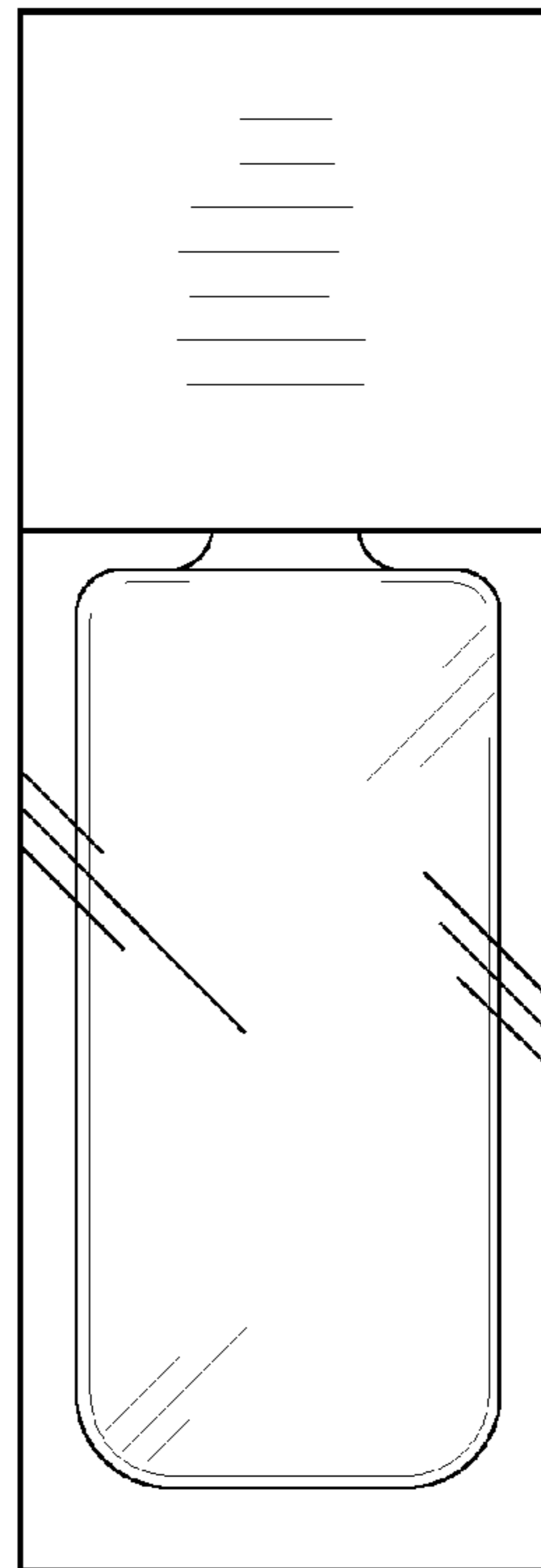
**FIG. 9**



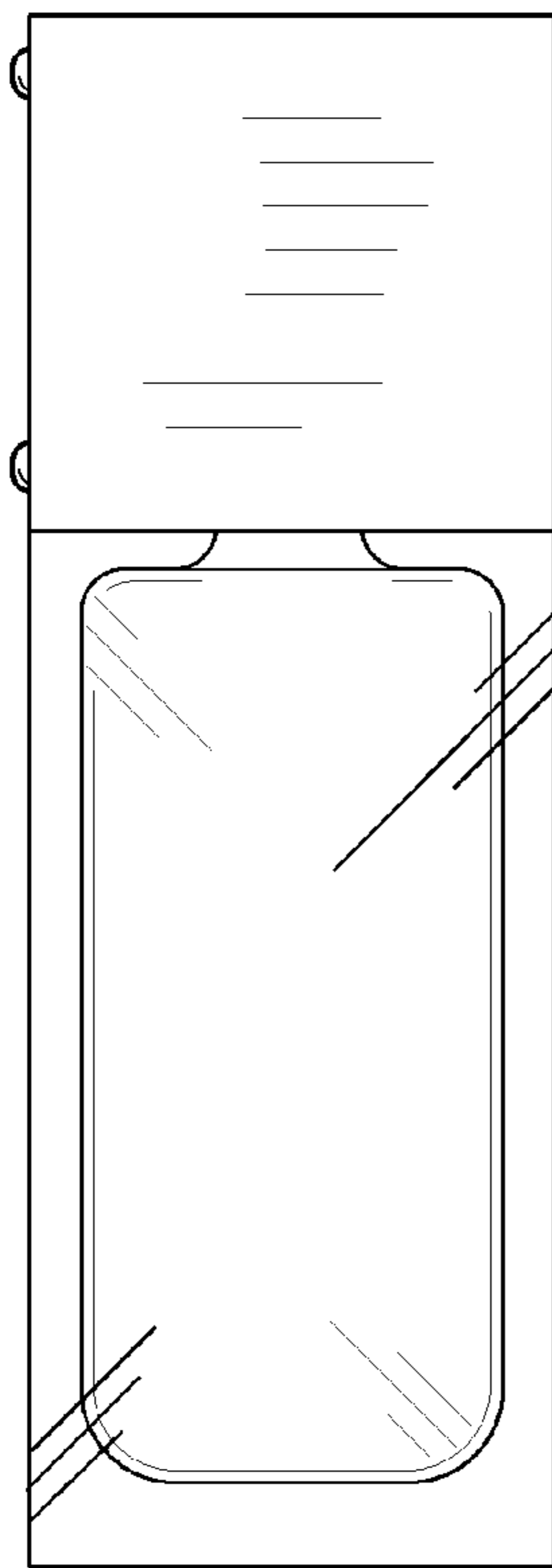
**FIG. 10**



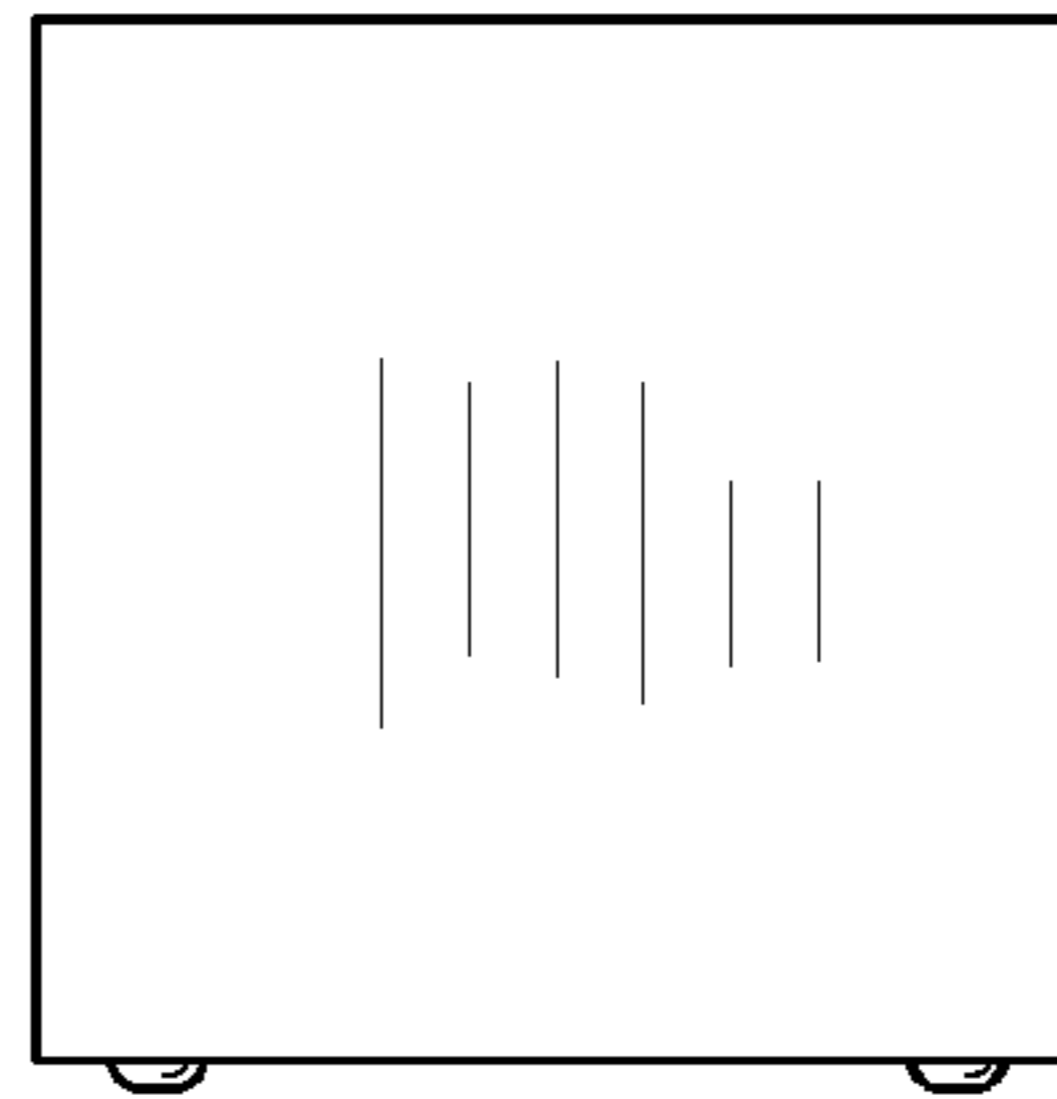
**FIG. 11**



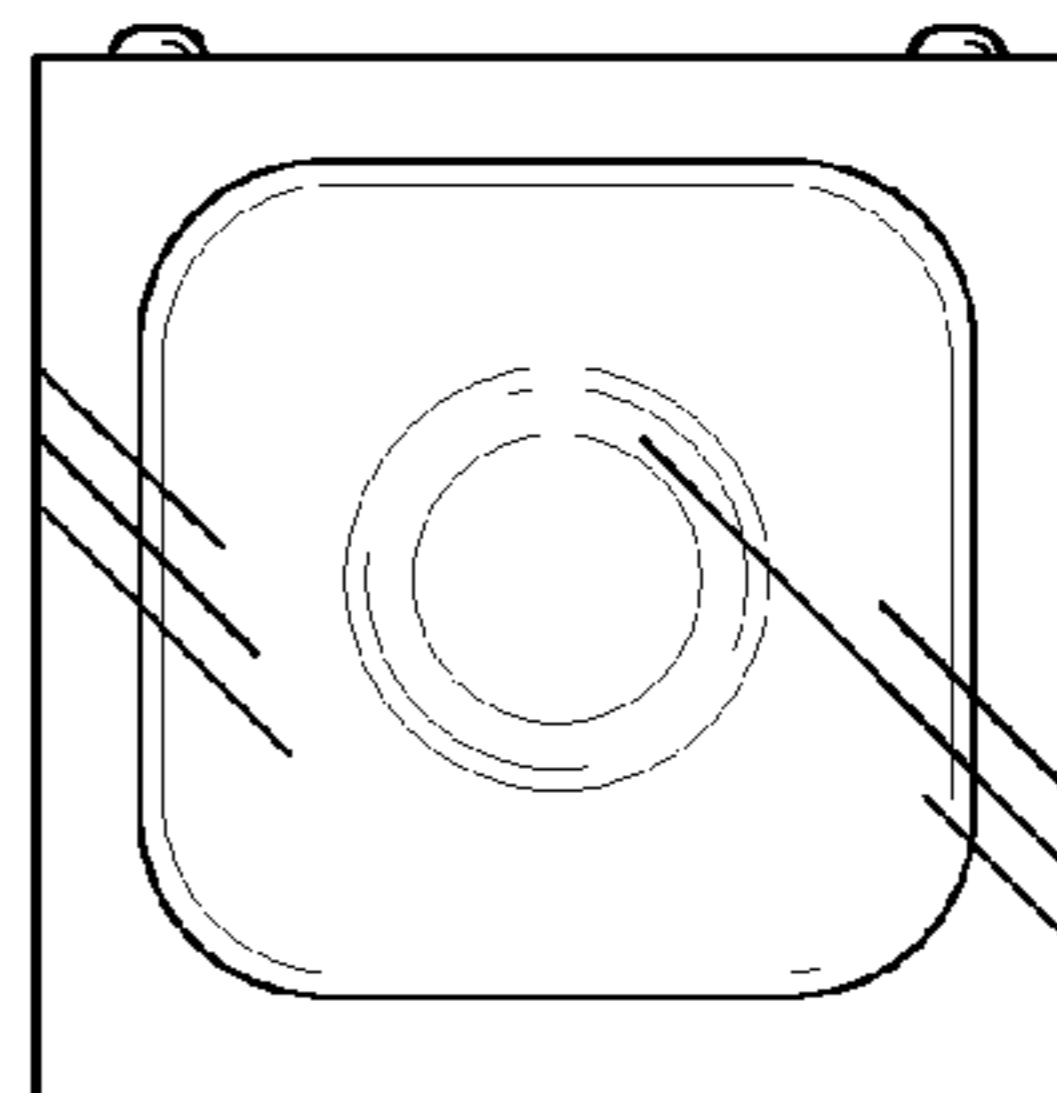
**FIG. 12**



**FIG. 13**

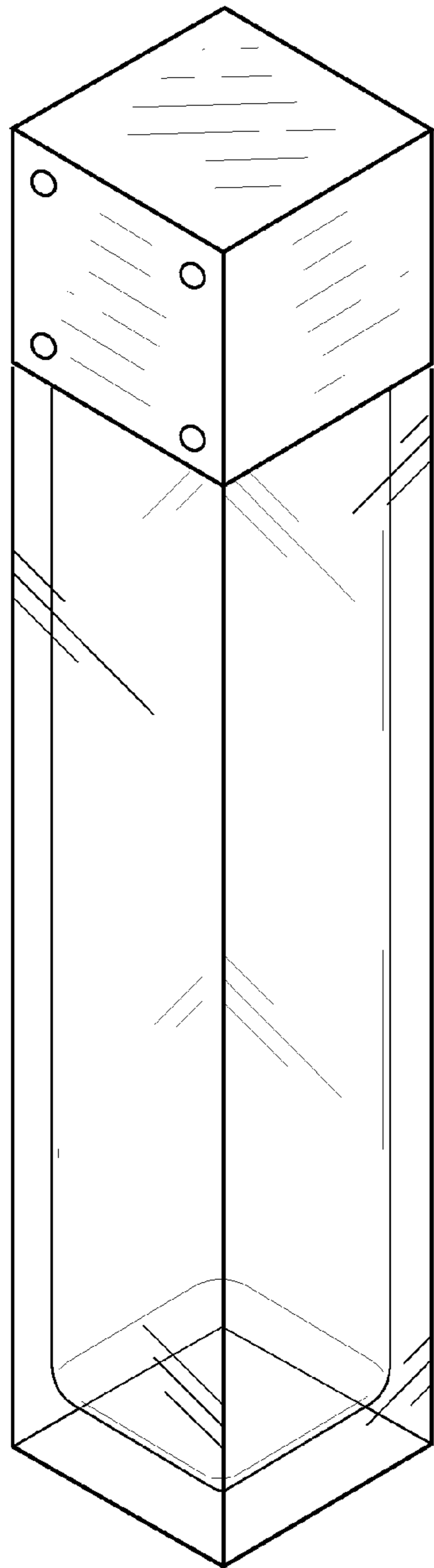


**FIG. 14**

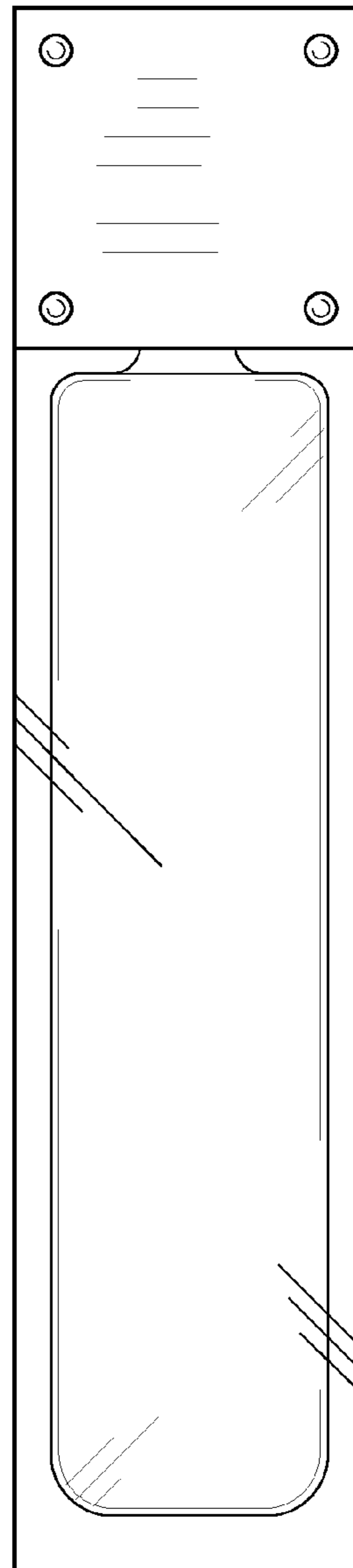




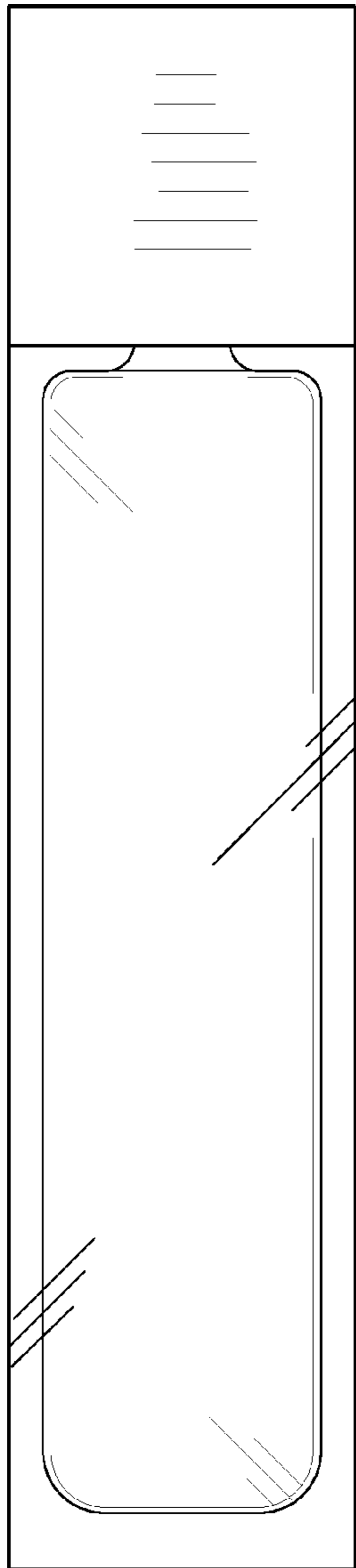
**FIG. 15**



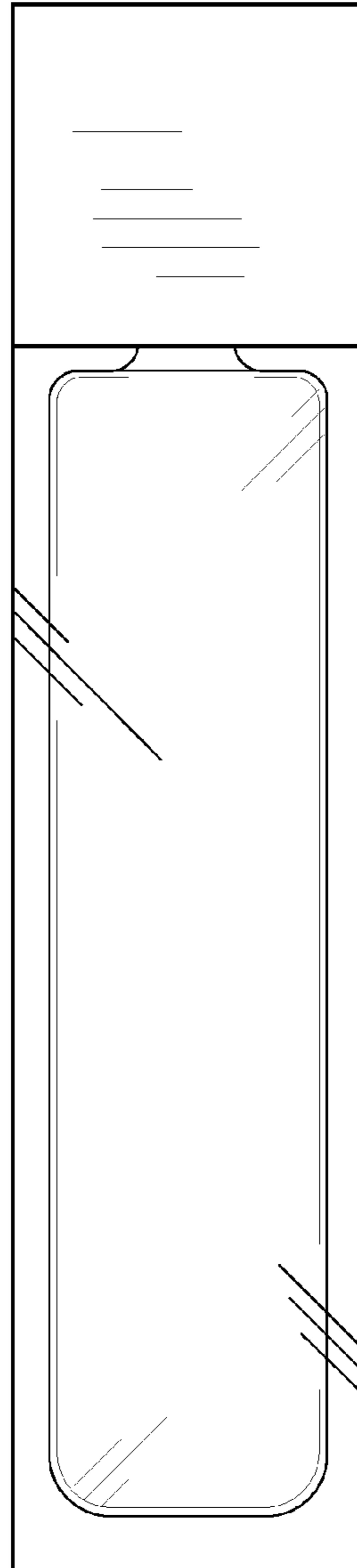
**FIG. 16**



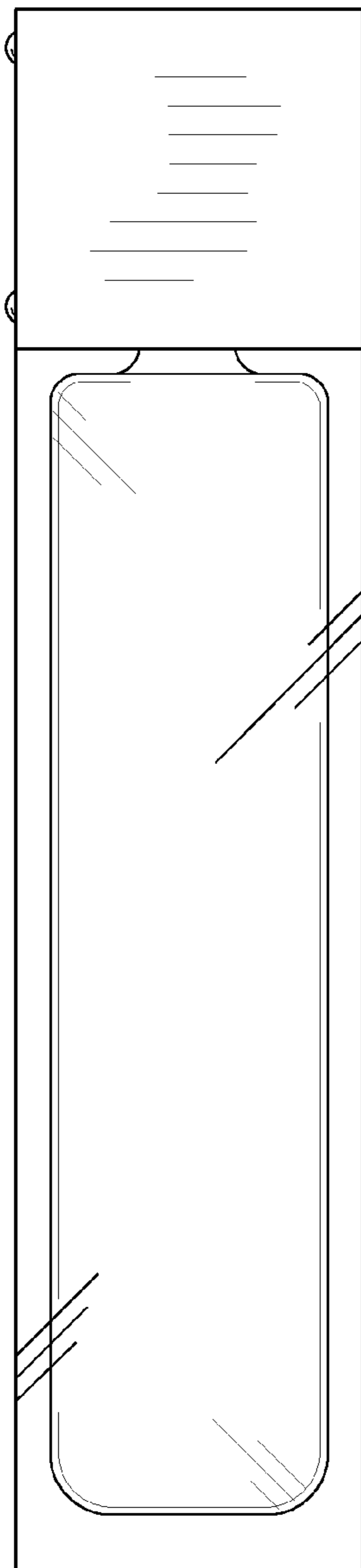
**FIG. 17**



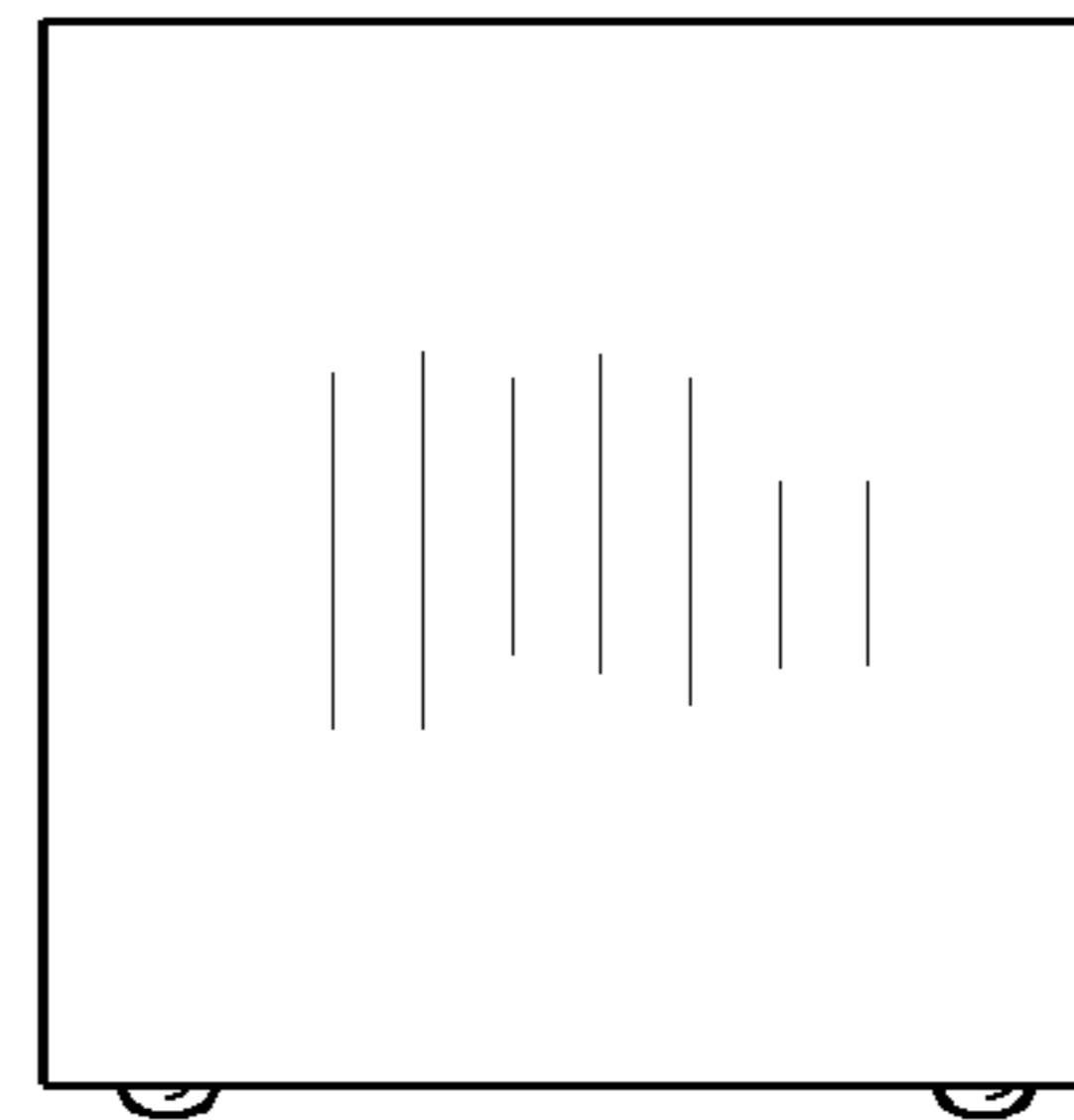
**FIG. 18**



**FIG. 19**



**FIG. 20**



**FIG. 21**

