



US00D715651S

(12) **United States Design Patent**
Allen

(10) **Patent No.:** **US D715,651 S**
(45) **Date of Patent:** **** Oct. 21, 2014**

(54) **CONTAINER**

(71) Applicant: **Rexam Healthcare Packaging Inc.**,
Buffalo Grove, IL (US)

(72) Inventor: **Richard Allen**, Antioch, IL (US)

(73) Assignee: **BPRex Healthcare Packaging Inc.**,
Perrysburg, OH (US)

(**) Term: **14 Years**

(21) Appl. No.: **29/478,587**

(22) Filed: **Jan. 7, 2014**

(51) **LOC (10) Cl.** **09-01**

(52) **U.S. Cl.**
USPC **D9/516; D9/520**

(58) **Field of Classification Search**

CPC B65D 1/00; B65D 1/02; B65D 1/0223;
B65D 1/0261; B65D 1/40; B65D 23/00
USPC D9/500–505, 516, 520, 530, 537–540,
D9/548–549, 558, 682, 685–686,
D9/688–691; D6/542; D23/202–203, 205,
D23/211.1; D24/224, 227; D29/125–126;
D34/39; 215/370–375, 379, 381–382;
220/600, 660, 669, 675

See application file for complete search history.

(56) **References Cited**

U.S. PATENT DOCUMENTS

D205,893 S * 10/1966 Weichselbaum D24/224
D222,032 S * 9/1971 Donoghue D9/501
D233,217 S * 10/1974 Blocksom, Jr. D9/504
D252,612 S * 8/1979 Mull D24/224
D292,824 S * 11/1987 Babashak D24/224
D318,727 S * 7/1991 Spike D24/224

D342,141 S * 12/1993 Baxter D24/224
5,382,409 A * 1/1995 Baxter 422/558
5,536,476 A * 7/1996 Baxter 422/558
D461,502 S * 8/2002 Horie D19/66
D625,191 S * 10/2010 Lepoitevin D9/500
D642,060 S 7/2011 Leclair et al.

* cited by examiner

Primary Examiner — Ian Simmons

Assistant Examiner — Dana L Meyrow

(74) *Attorney, Agent, or Firm* — Barnes & Thornburg LLP

(57) **CLAIM**

We claim an ornamental design for a container, as shown and described.

DESCRIPTION

FIG. 1 is a bottom perspective view of a container in accordance with our new design.

FIG. 2 is a front elevational view of the container in FIG. 1, wherein rear and side elevational views are identical to FIG. 2.

FIG. 3 is a cross-sectional view of the container in FIG. 2, taken along line 3-3 of FIG. 2.

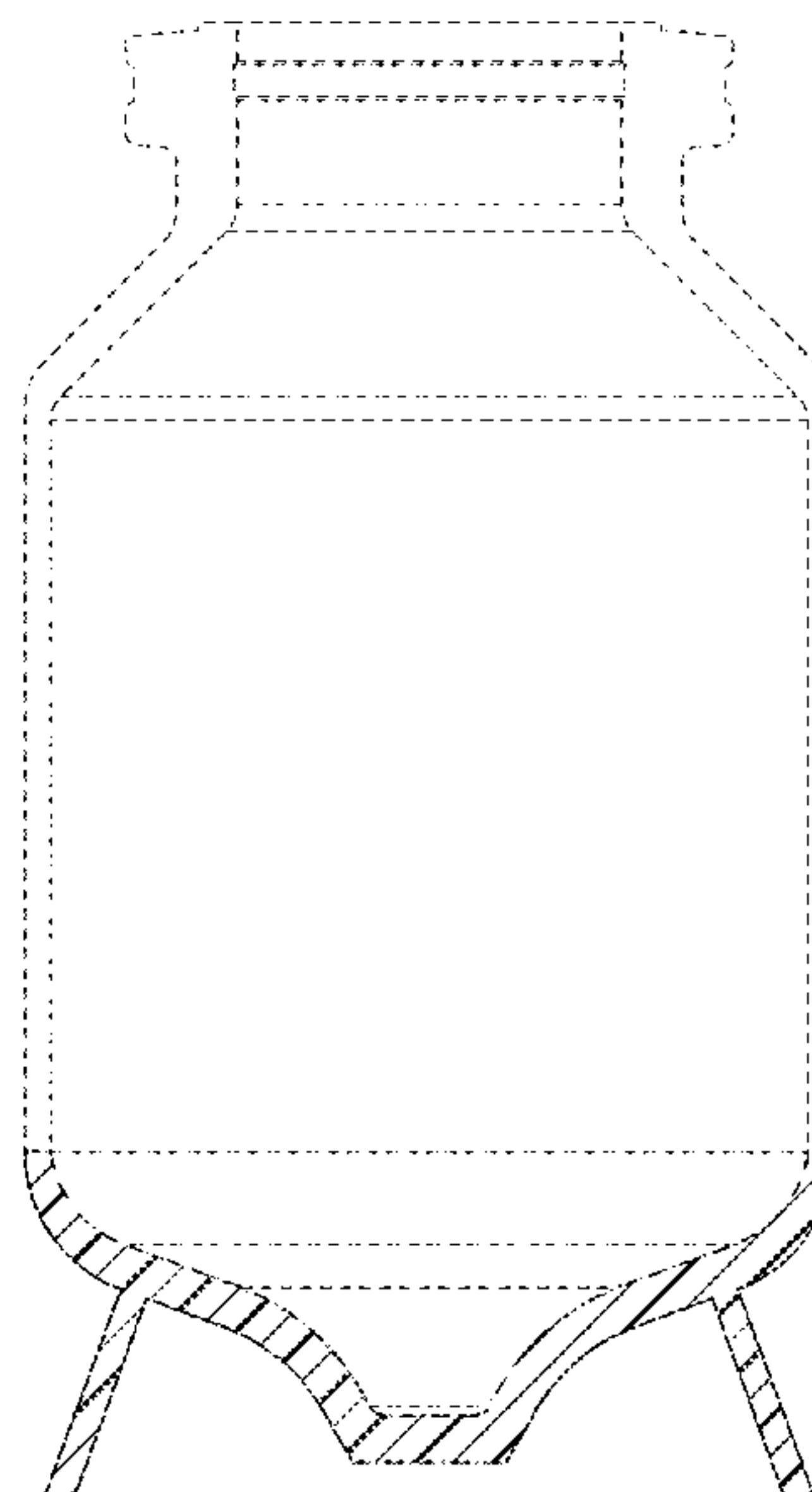
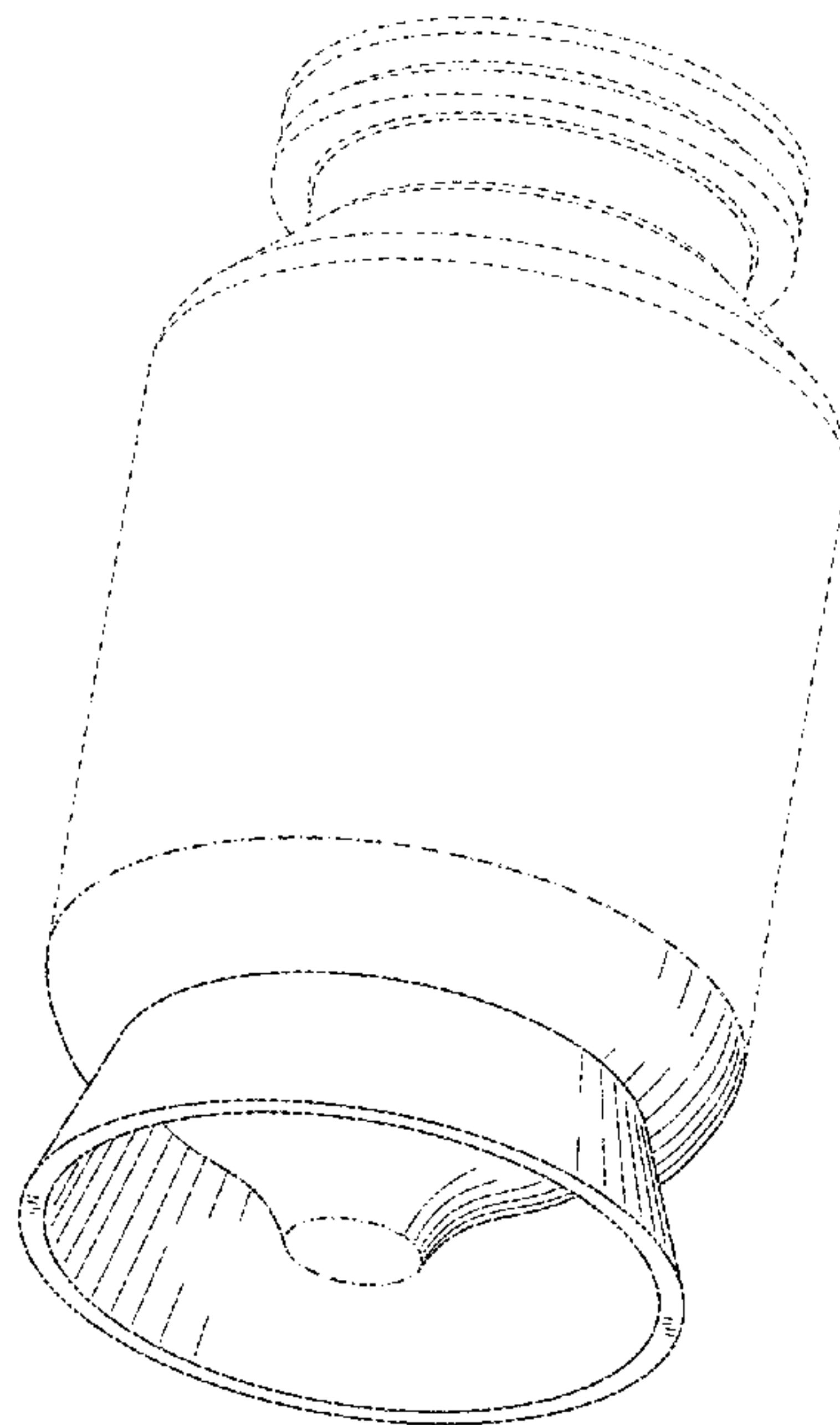
FIG. 4 is a top view of the container in FIG. 1; and, FIG. 5 is a bottom view of the container in FIG. 1.

The terms top, left, right, bottom, rear, side, and front are used for reference only.

Dash-dash-dash broken lines shown in the drawings represent environmental structure and are not part of the claimed design.

Dash-dot-dash broken lines shown in the drawings represent boundaries of the claimed design and are not part of the claimed design.

1 Claim, 4 Drawing Sheets



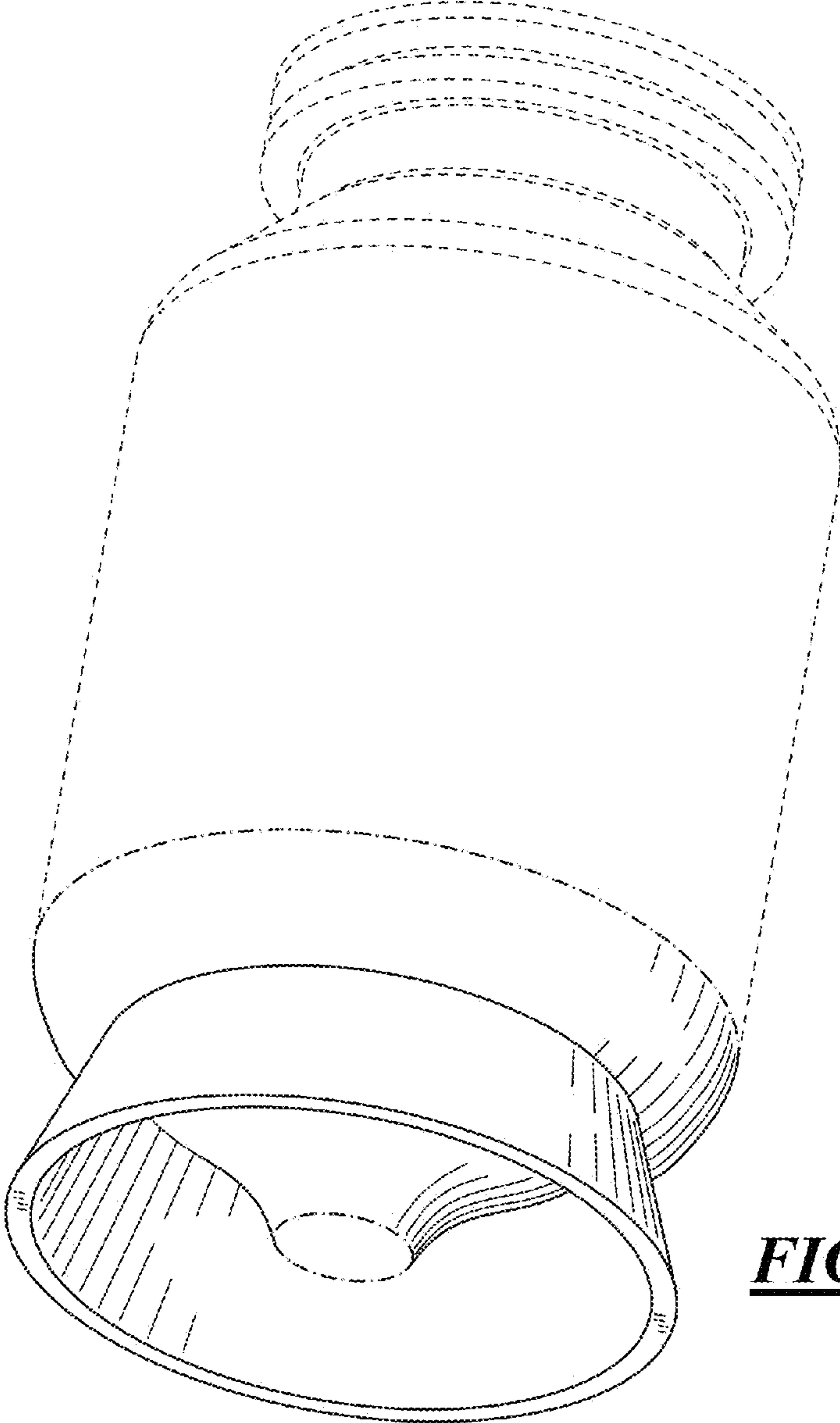


FIG. 1

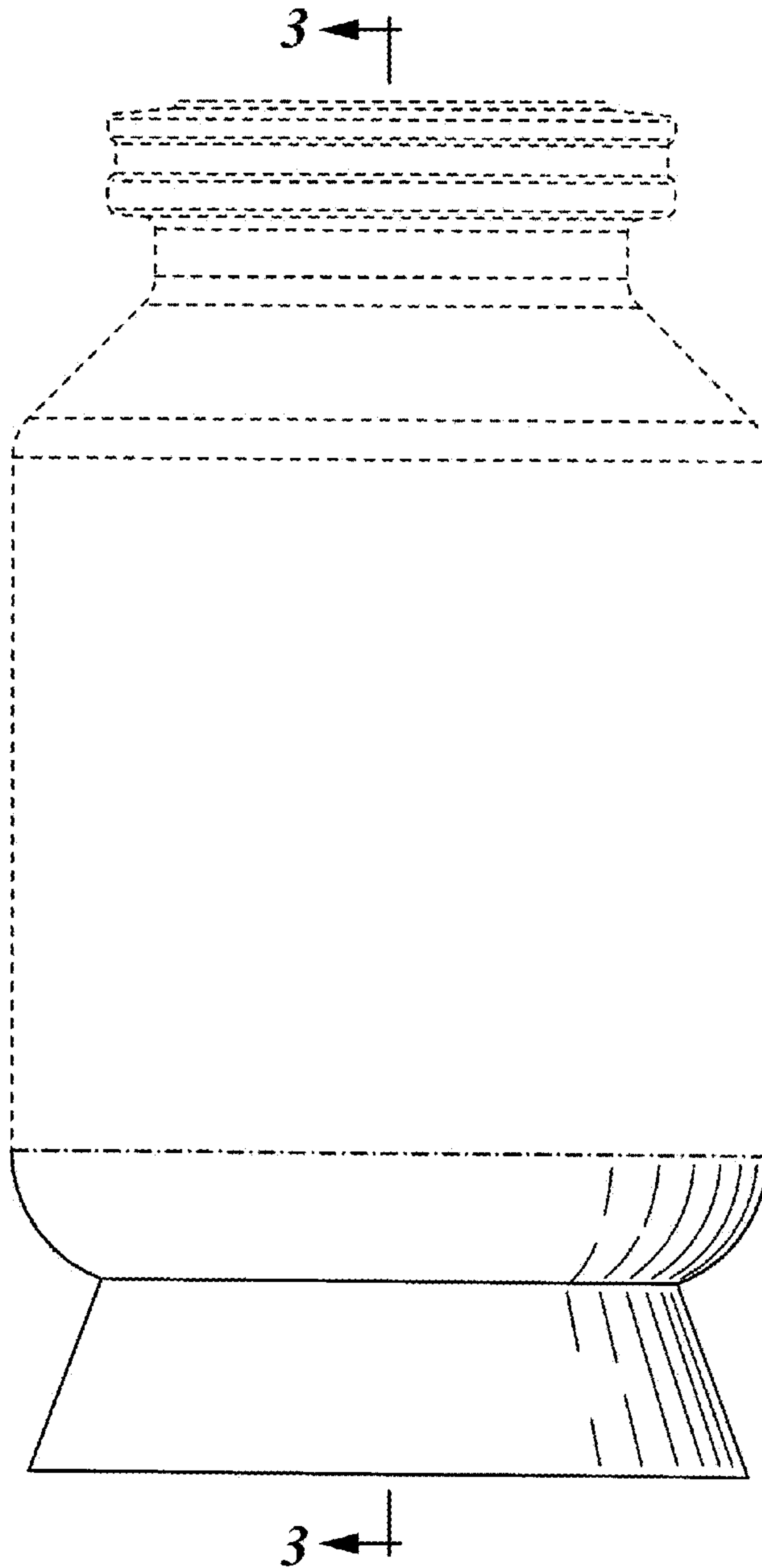


FIG. 2

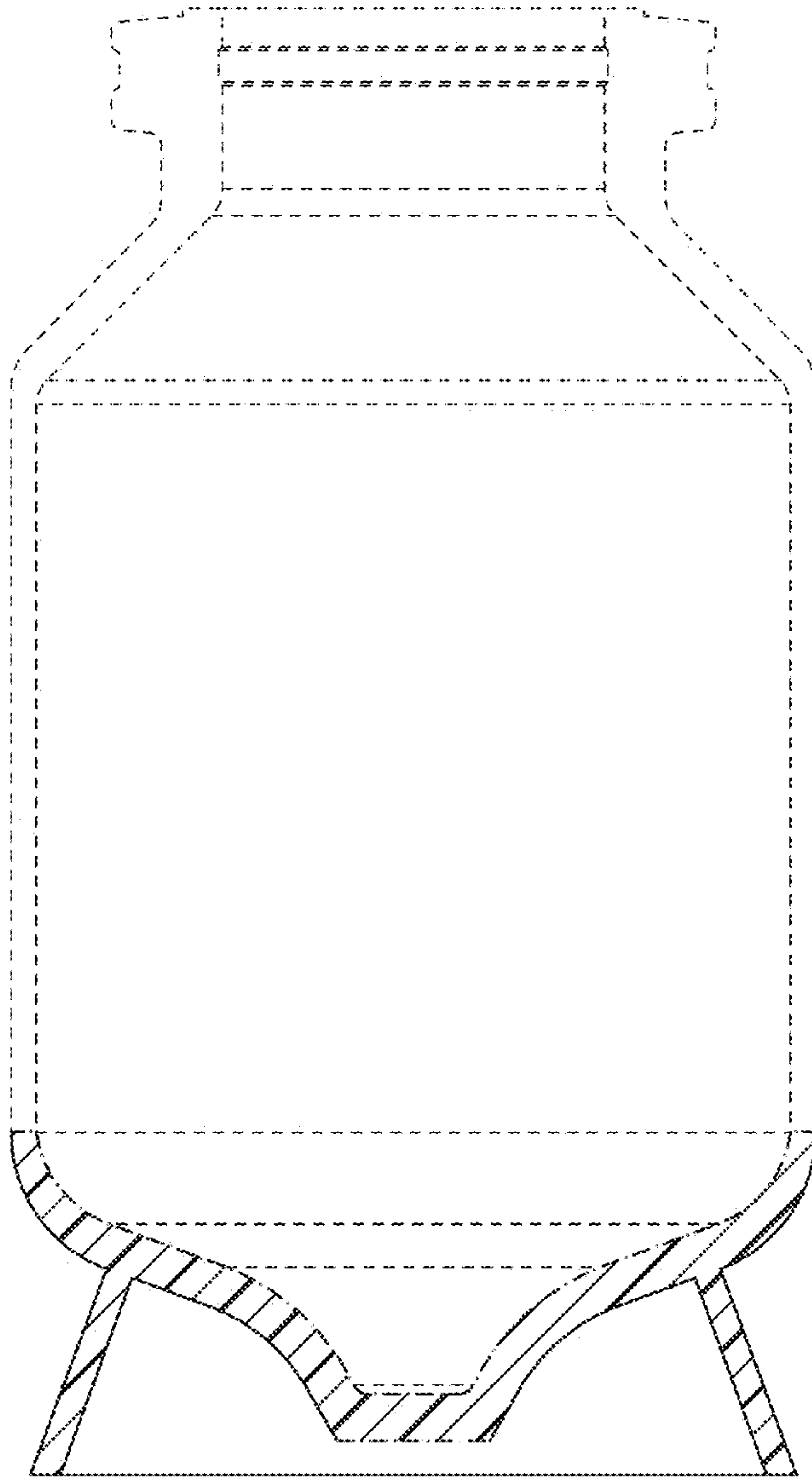


FIG. 3

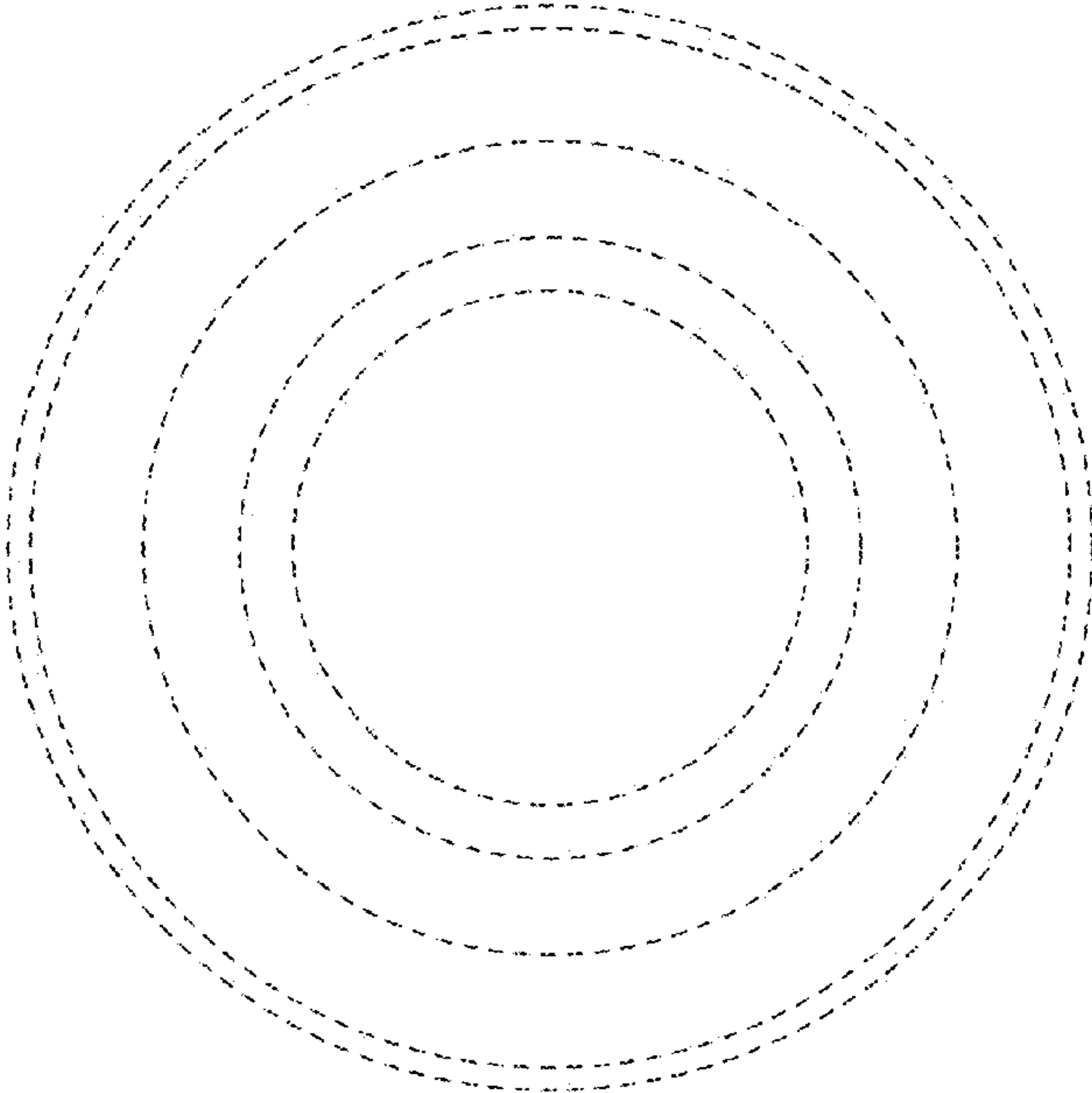


FIG. 4

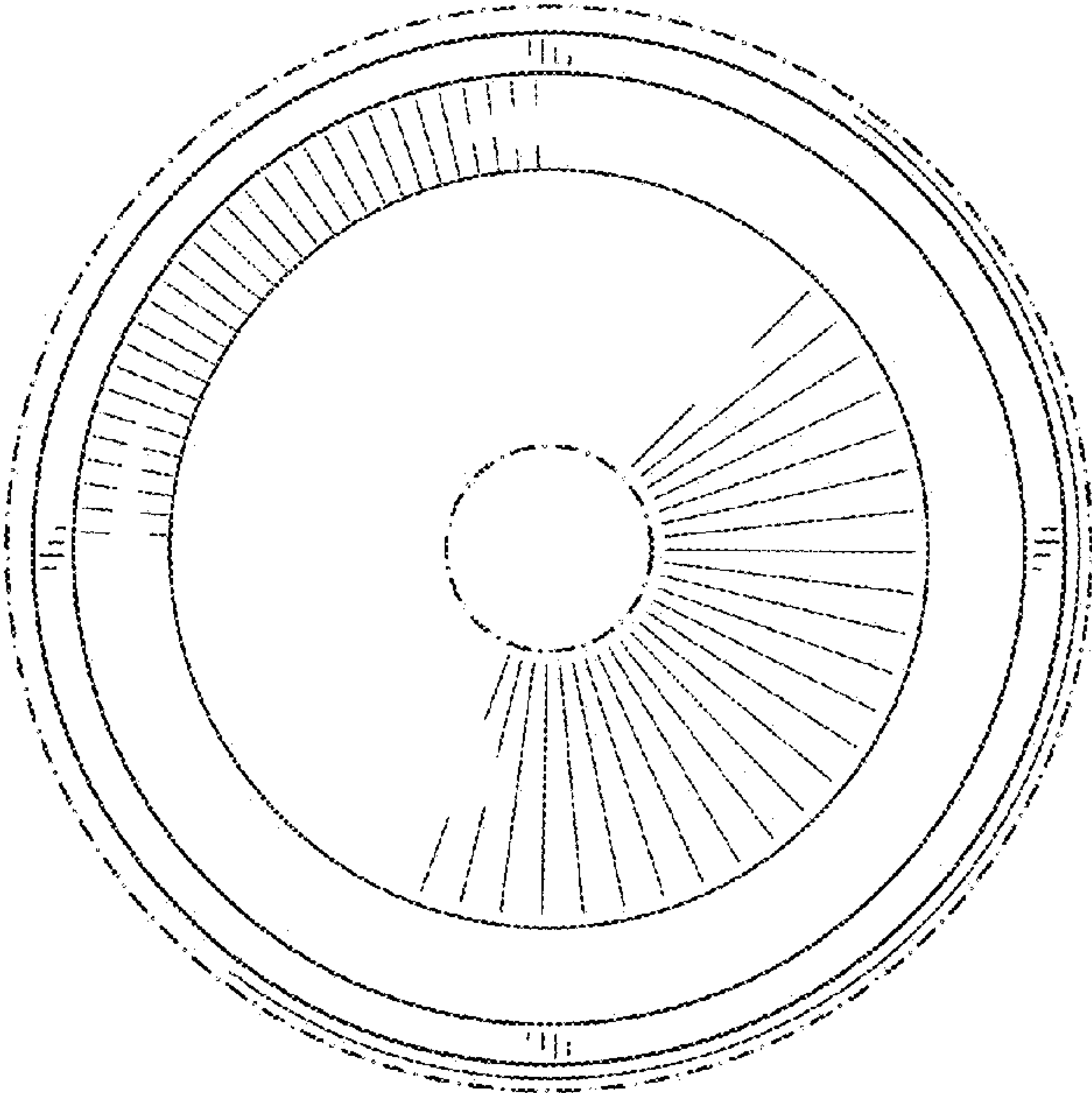


FIG. 5