



US00D715649S

(12) **United States Design Patent**
O'Brien

(10) **Patent No.:** **US D715,649 S**

(45) **Date of Patent:** **** Oct. 21, 2014**

(54) **CONTAINER**

(71) Applicant: **Printpack Illinois, Inc.**, Elgin, IL (US)

(72) Inventor: **Patrick L. O'Brien**, Toano, VA (US)

(73) Assignee: **Printpack Illinois, Inc.**, Elgin, IL (US)

(**) Term: **14 Years**

(21) Appl. No.: **29/460,278**

(22) Filed: **Jul. 9, 2013**

(51) **LOC (10) Cl.** **09-01**

(52) **U.S. Cl.**
USPC **D9/500**

(58) **Field of Classification Search**

USPC D9/416, 428, 500, 502-503, 505, 516,
D9/549, 558, 763, 772, 777-780; D7/602,
D7/630, 509, 523, 540, 584, 603, 400;
D11/152; D26/6, 9-10, 22; D30/129;
99/279, 295, 323; 206/499, 509;
426/77-79, 84, 433; 215/379, 382;
220/660, 669-673, 675

See application file for complete search history.

(56) **References Cited**

U.S. PATENT DOCUMENTS

| | | | | |
|---------------|---------|----------------|-------|---------|
| D34,667 S * | 6/1901 | Ney | | D11/153 |
| 2,614,727 A | 10/1952 | Robinson | | |
| 3,357,590 A | 12/1967 | Safford | | |
| 3,527,020 A * | 9/1970 | Mancini | | 53/282 |
| 3,935,955 A | 2/1976 | Das | | |
| D240,019 S | 5/1976 | Taylor | | |
| D241,228 S * | 8/1976 | Boduch | | D9/428 |
| 4,193,494 A * | 3/1980 | Green | | 206/217 |
| D260,967 S | 9/1981 | Taylor | | |
| D270,332 S | 8/1983 | Gaunt | | |
| D272,418 S | 1/1984 | Gruodis et al. | | |
| D280,075 S * | 8/1985 | Haag, Sr. | | D9/778 |
| D280,076 S * | 8/1985 | Haag, Sr. | | D9/778 |
| 4,685,273 A * | 8/1987 | Caner et al. | | 53/440 |

| | | | | |
|--------------|---------|-----------------|-------|---------|
| 4,859,337 A | 8/1989 | Woltermann | | |
| 4,925,048 A | 5/1990 | Noack | | |
| D327,845 S | 7/1992 | Behm et al. | | |
| D330,330 S | 10/1992 | Behm et al. | | |
| D330,514 S | 10/1992 | Edwards | | |
| 5,232,120 A | 8/1993 | Dunken et al. | | |
| 5,325,765 A | 7/1994 | Sylvan et al. | | |
| D351,790 S | 10/1994 | Haindl | | |
| 5,375,719 A | 12/1994 | Mittmann et al. | | |
| 5,419,436 A | 5/1995 | Powell | | |
| D364,564 S | 11/1995 | Moore | | |
| D380,383 S | 7/1997 | Wiemann et al. | | |
| D390,460 S | 2/1998 | Schmidt | | |
| D398,528 S | 9/1998 | Wiemann et al. | | |
| D399,452 S * | 10/1998 | Durbin | | D11/152 |

(Continued)

FOREIGN PATENT DOCUMENTS

| | | |
|----|------------|---------|
| WO | 2008136026 | 11/2008 |
| WO | 2012055751 | 5/2012 |
| WO | 2012122329 | 9/2012 |

Primary Examiner — Ian Simmons

Assistant Examiner — Dana L Meyrow

(74) *Attorney, Agent, or Firm* — Sutherland Asbill & Brennan LLP

(57) **CLAIM**

The ornamental design for a container, as shown and described.

DESCRIPTION

FIG. 1 is a forward lower perspective view of a container according to an embodiment;

FIG. 2 is a side view thereof;

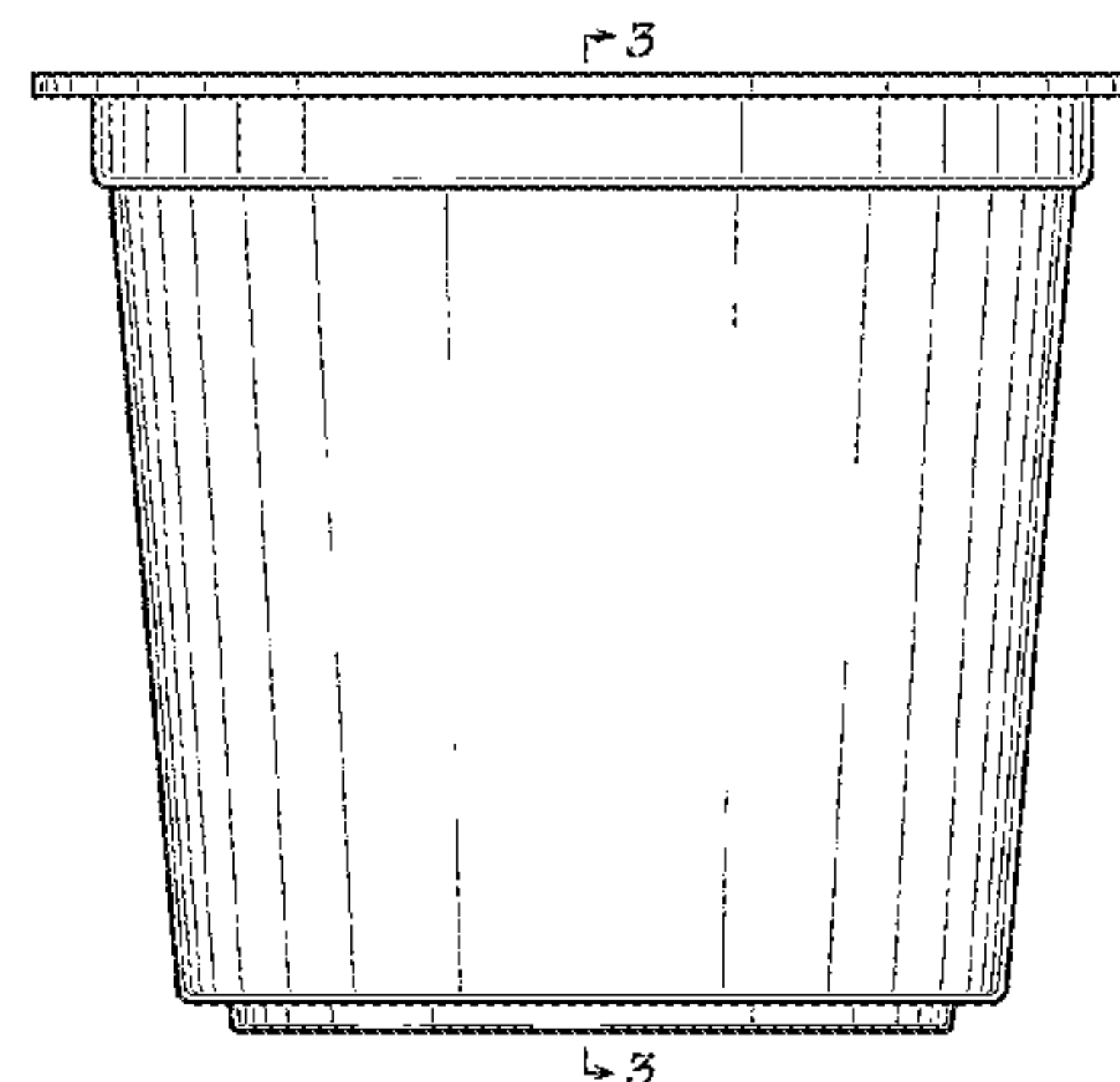
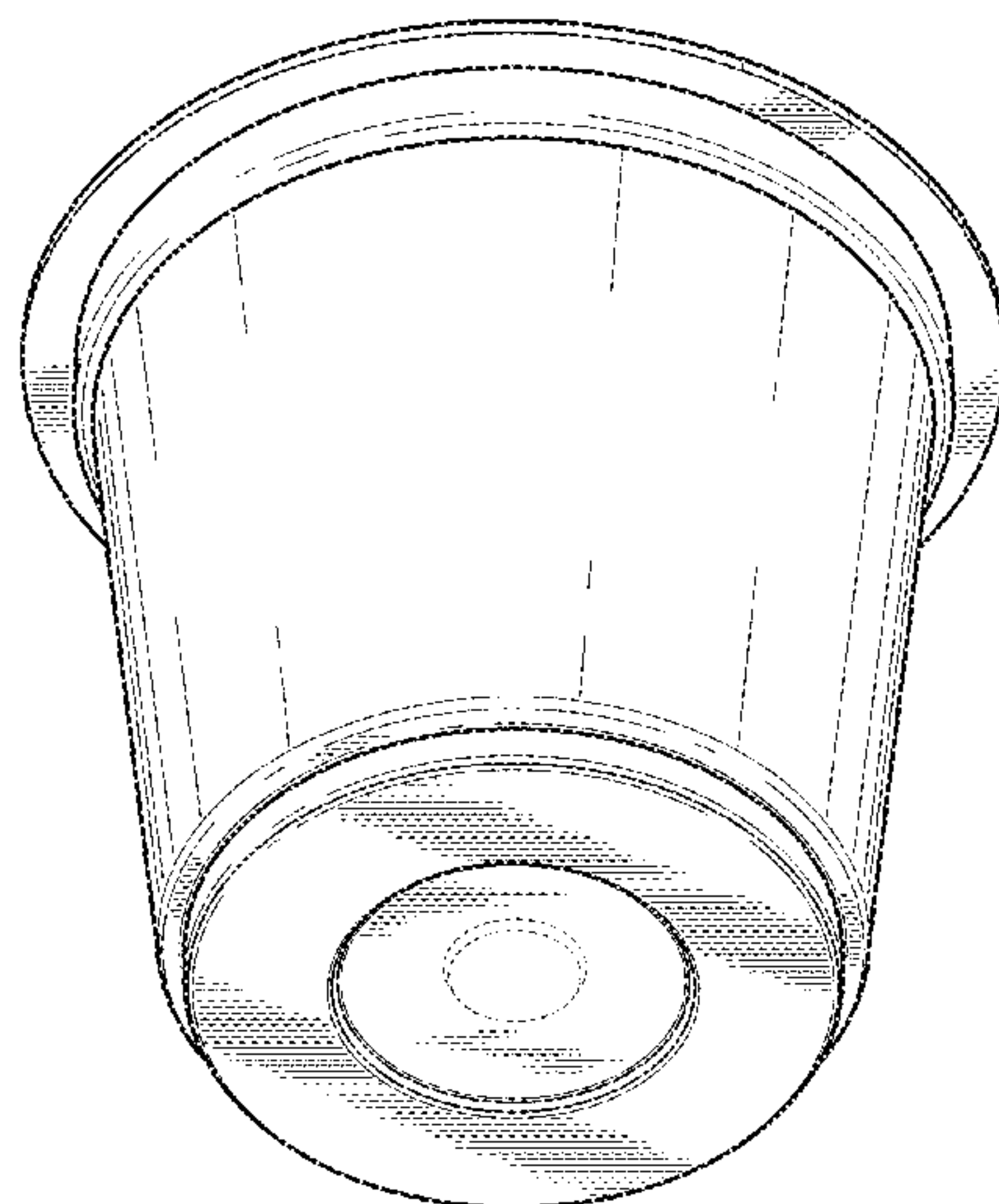
FIG. 3 is a cross-sectional side view thereof;

FIG. 4 is a top view thereof; and,

FIG. 5 is a bottom view thereof.

The broken lines are directed to environment and show unclaimed subject matter; the broken lines form no part of the claimed design.

1 Claim, 3 Drawing Sheets



(56)

References Cited

U.S. PATENT DOCUMENTS

| | | | | | | |
|--------------|---------|------------------|-------------------|---------|-------------------|----------|
| 5,840,189 A | 11/1998 | Sylvan et al. | 7,891,513 B2 | 2/2011 | Mody et al. | |
| 5,992,632 A | 11/1999 | Karren | D637,484 S | 5/2011 | Winkler | |
| 6,024,244 A | 2/2000 | Hicks | 7,981,451 B2 | 7/2011 | Ozanne | |
| 6,086,931 A | 7/2000 | Whiteford | D643,734 S | 8/2011 | Perez | |
| 6,134,832 A | 10/2000 | Bokmiller et al. | D645,340 S | 9/2011 | Menard et al. | |
| 6,138,862 A | 10/2000 | Tai | D647,398 S | 10/2011 | Winkler | |
| D435,216 S | 12/2000 | Paoloski | D647,399 S | 10/2011 | Winkler | |
| D438,794 S | 3/2001 | Miles et al. | D648,212 S | 11/2011 | Golota et al. | |
| D452,434 S | 12/2001 | Sweeney | D651,096 S | 12/2011 | Nakagiri | |
| 6,440,256 B1 | 8/2002 | Gordon et al. | D651,901 S | 1/2012 | Miller et al. | |
| D474,110 S | 5/2003 | Sweeney | D652,266 S * | 1/2012 | Smyers | D7/630 |
| D474,111 S | 5/2003 | Lazaris | D656,009 S * | 3/2012 | Ortiz et al. | D9/428 |
| 6,589,577 B2 | 7/2003 | Lazaris | 8,127,663 B2 | 3/2012 | Nottingham et al. | |
| 6,607,762 B2 | 8/2003 | Lazaris et al. | 8,230,775 B2 * | 7/2012 | Vanni | 99/295 |
| 6,645,537 B2 | 11/2003 | Sweeney et al. | D686,916 S | 7/2013 | O'Brien et al. | |
| 6,810,788 B2 | 11/2004 | Hale | D687,297 S | 8/2013 | O'Brien et al. | |
| 6,837,377 B2 | 1/2005 | Shuert | D695,110 S * | 12/2013 | Houlton et al. | D9/428 |
| D502,362 S | 3/2005 | Lazaris et al. | D695,615 S * | 12/2013 | Rapparini | D9/500 |
| D502,870 S | 3/2005 | Bennett et al. | D698,649 S * | 2/2014 | Quint | D9/500 |
| D504,814 S | 5/2005 | Bretz et al. | D700,839 S | 3/2014 | O'Brien et al. | |
| D519,831 S | 5/2006 | De Clair et al. | 2002/0112983 A1 | 8/2002 | Padovani | |
| D522,368 S | 6/2006 | Darr et al. | 2002/0134701 A1 | 9/2002 | Olsthoorn et al. | |
| D528,422 S | 9/2006 | Darr et al. | 2004/0173565 A1 | 9/2004 | Semersky et al. | |
| D530,615 S | 10/2006 | Darr et al. | 2005/0017013 A1 | 1/2005 | Peisach et al. | |
| D532,293 S | 11/2006 | Martin | 2005/0051478 A1 | 3/2005 | Karanikos | |
| D532,307 S | 11/2006 | Durand | 2005/0173287 A1 | 8/2005 | Smith et al. | |
| D541,147 S | 4/2007 | LaMasney | 2009/0194546 A1 | 8/2009 | Lane | |
| 7,204,056 B2 | 4/2007 | Sieverding | 2009/0200301 A1 * | 8/2009 | Beekman et al. | 220/4.27 |
| D554,507 S | 11/2007 | Laupie | 2010/0018889 A1 | 1/2010 | Korpanty et al. | |
| D554,508 S | 11/2007 | YunFu | 2010/0064899 A1 | 3/2010 | Aardenburg | |
| D574,242 S | 8/2008 | Lin | 2010/0072165 A1 | 3/2010 | Schau | |
| D577,288 S | 9/2008 | Wilson et al. | 2010/0288131 A1 | 11/2010 | Kilber | |
| D595,581 S | 7/2009 | Brunson | 2010/0288133 A1 | 11/2010 | Litzka et al. | |
| D603,221 S | 11/2009 | Liu et al. | 2010/0303964 A1 | 12/2010 | Beaulieu et al. | |
| D605,502 S | 12/2009 | Honda et al. | 2010/0303965 A1 | 12/2010 | Mariller | |
| D606,363 S | 12/2009 | Aardenburg | 2011/0076361 A1 | 3/2011 | Peterson et al. | |
| 7,624,535 B2 | 12/2009 | Schmidt | 2011/0147392 A1 | 6/2011 | Trude et al. | |
| 7,624,673 B2 | 12/2009 | Zanetti | 2011/0151075 A1 | 6/2011 | Peterson | |
| D607,329 S | 1/2010 | Diss | 2011/0240506 A1 | 10/2011 | D'Amato | |
| 7,677,435 B2 | 3/2010 | Stahlecker | 2011/0259205 A1 | 10/2011 | Delorme | |
| D616,704 S | 6/2010 | Hou | 2011/0283890 A1 | 11/2011 | Scrivani | |
| D620,310 S | 7/2010 | Lundberg | 2011/0305801 A1 | 12/2011 | Beer | |
| D622,147 S | 8/2010 | Pedmo | 2012/0006205 A1 | 1/2012 | Vanni | |
| D623,063 S | 9/2010 | Pedmo | 2012/0055832 A1 | 3/2012 | Riethmueller | |
| 7,789,255 B2 | 9/2010 | Zoppas | 2012/0058226 A1 | 3/2012 | Winkler | |
| D628,476 S | 12/2010 | Vang | 2012/0097602 A1 | 4/2012 | Tedford | |
| D628,883 S | 12/2010 | Stephens | 2012/0121764 A1 | 5/2012 | Lai et al. | |
| D630,947 S | 1/2011 | Mashouf | 2012/0121768 A1 | 5/2012 | Lai et al. | |
| | | | 2012/0171332 A1 | 7/2012 | Lai et al. | |
| | | | 2012/0201933 A1 | 8/2012 | Dran et al. | |

* cited by examiner

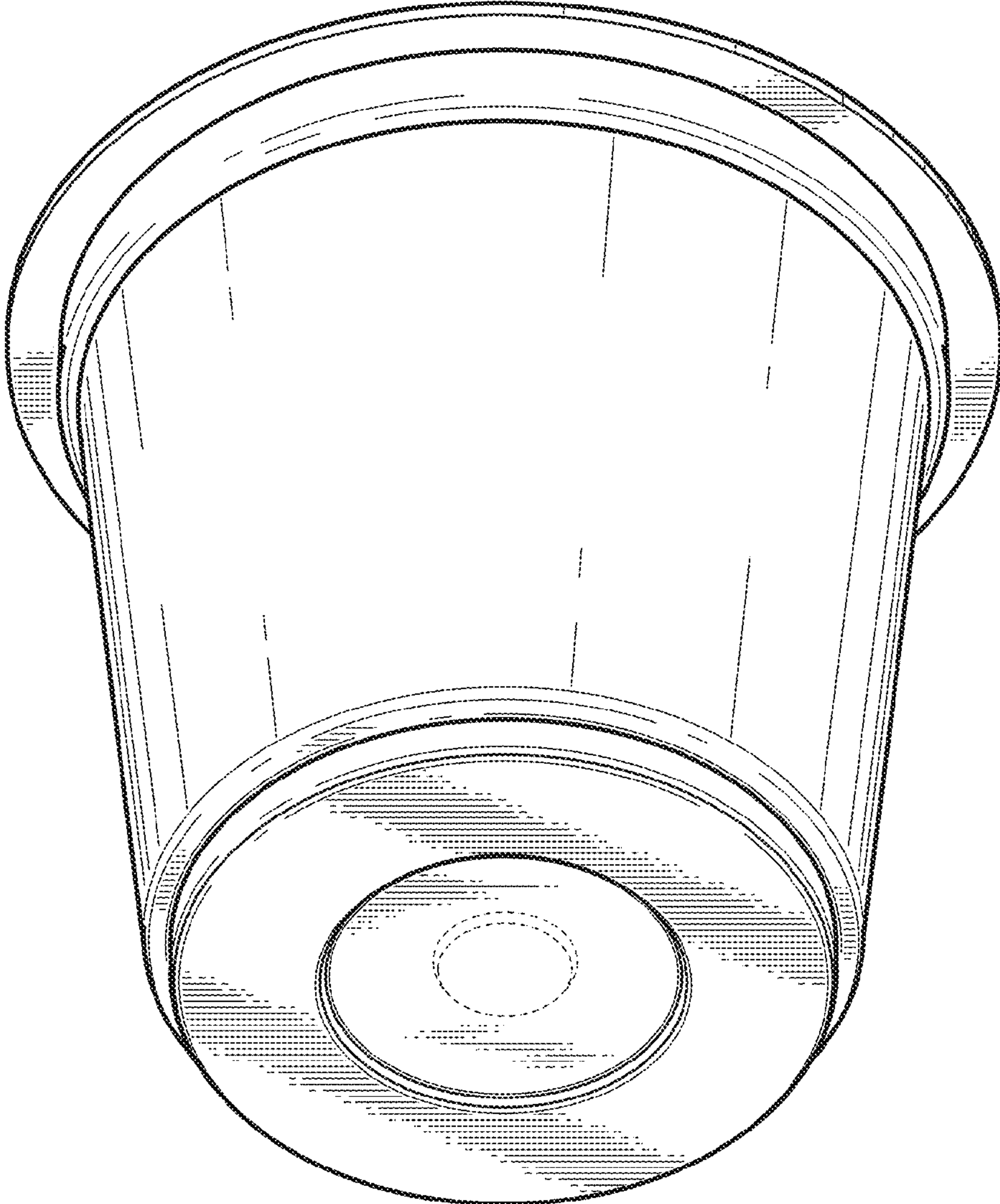
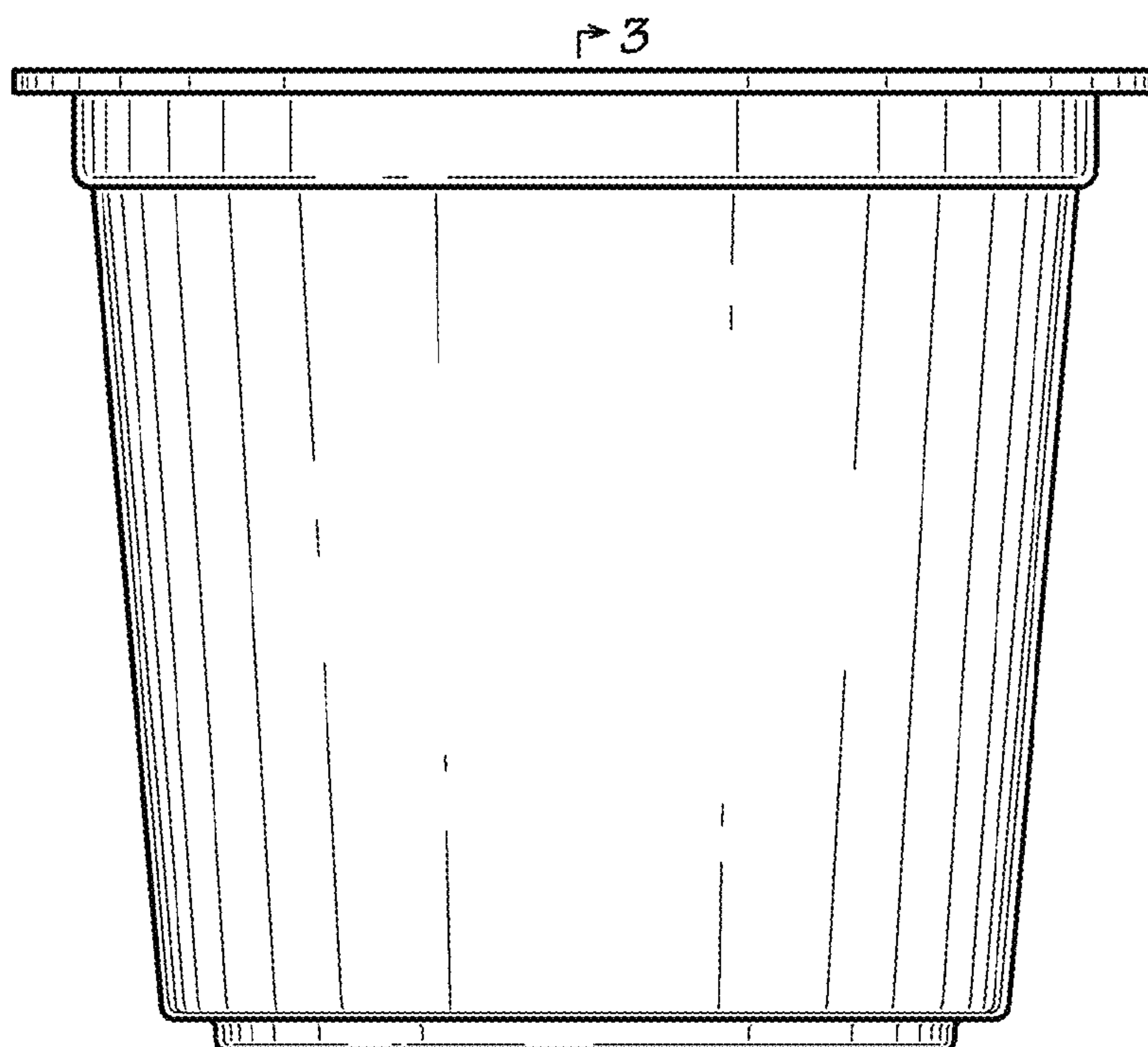


FIG. 1



3

FIG. 2

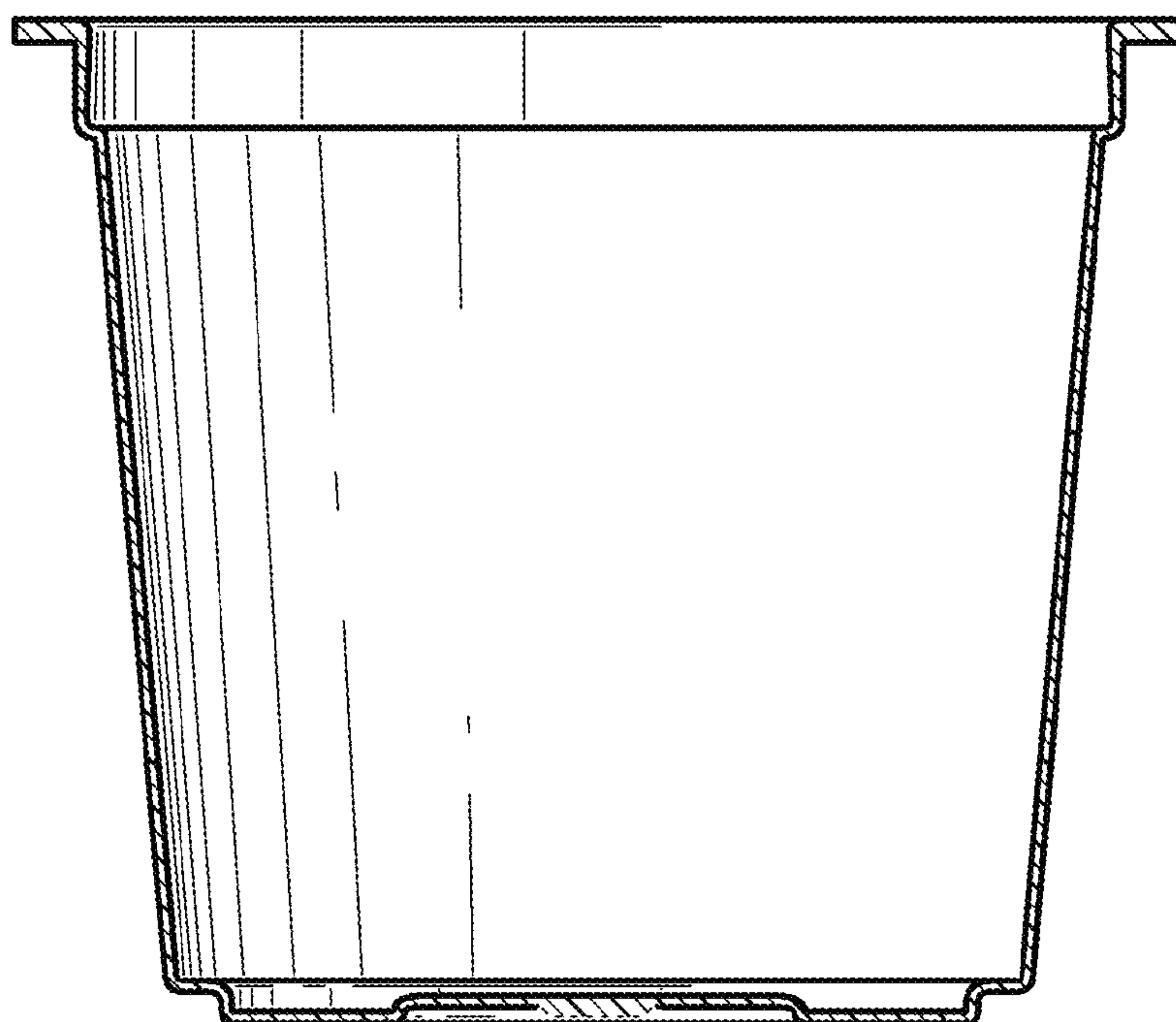


FIG. 3

FIG. 4

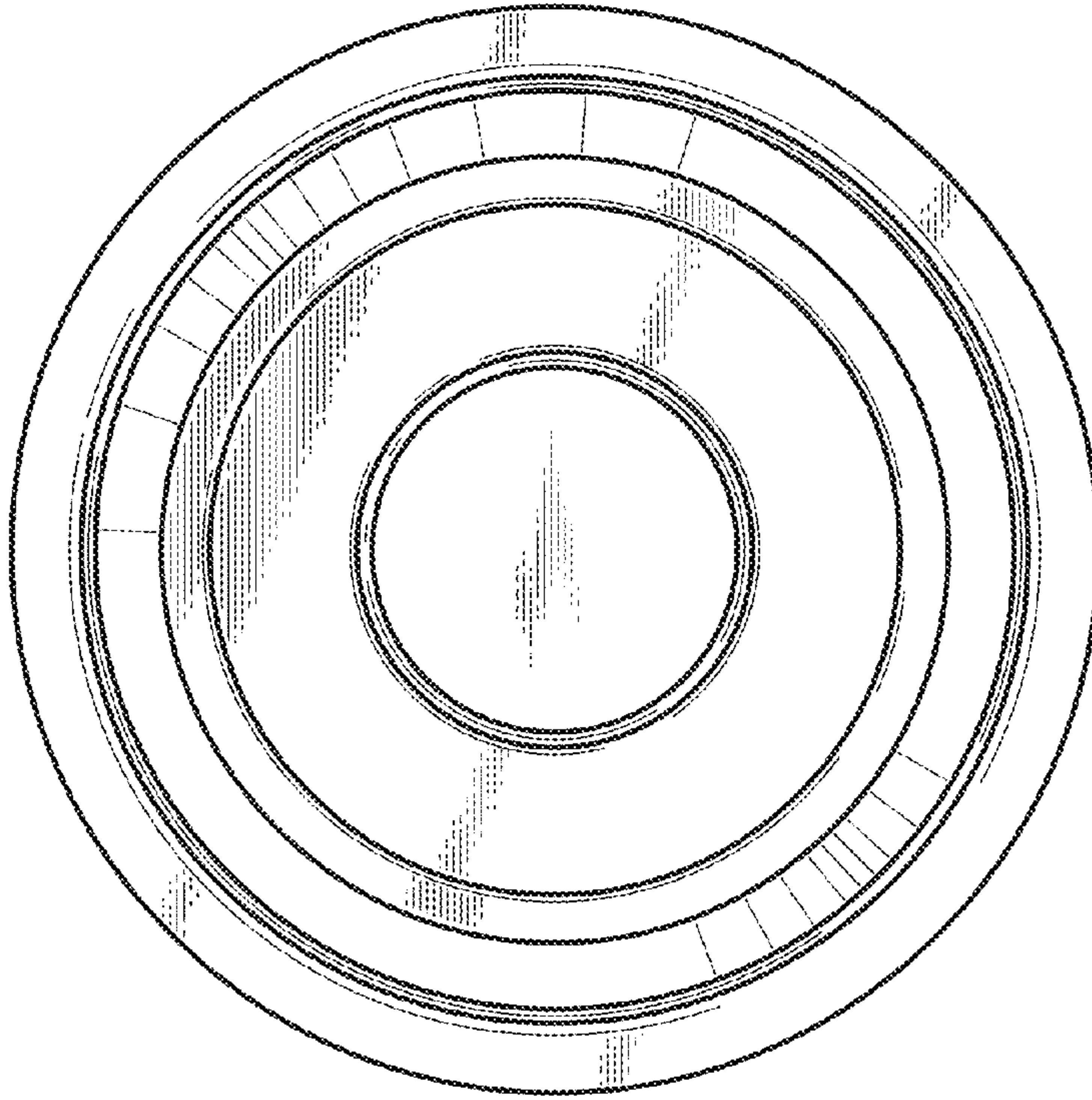


FIG. 5

