



US00D715648S

(12) **United States Design Patent**
Kistler

(10) **Patent No.:** **US D715,648 S**

(45) **Date of Patent:** **** Oct. 21, 2014**

(54) **COMBINED PUMP SPRAYER AND MISTER**

Primary Examiner — Robert M Spear

(71) Applicant: **Spence Kistler**, Simi Valley, CA (US)

(74) *Attorney, Agent, or Firm* — Cislo & Thomas, LLP

(72) Inventor: **Spence Kistler**, Simi Valley, CA (US)

(**) Term: **14 Years**

(21) Appl. No.: **29/452,080**

(22) Filed: **Apr. 11, 2013**

(51) **LOC (10) Cl.** **09-07**

(52) **U.S. Cl.**
USPC **D9/448**

(58) **Field of Classification Search**
USPC D9/434, 435, 448, 449; D23/213, 226;
222/323, 383.1, 383.3, 402.15;
239/120, 215, 333, 394, 526, 539;
417/178, 198

See application file for complete search history.

(56) **References Cited**

U.S. PATENT DOCUMENTS

D373,312 S *	9/1996	Lin	D9/448
D570,216 S *	6/2008	Arminak	D9/448
D625,188 S *	10/2010	Rech	D9/448
D662,816 S *	7/2012	Notarianni	D9/448

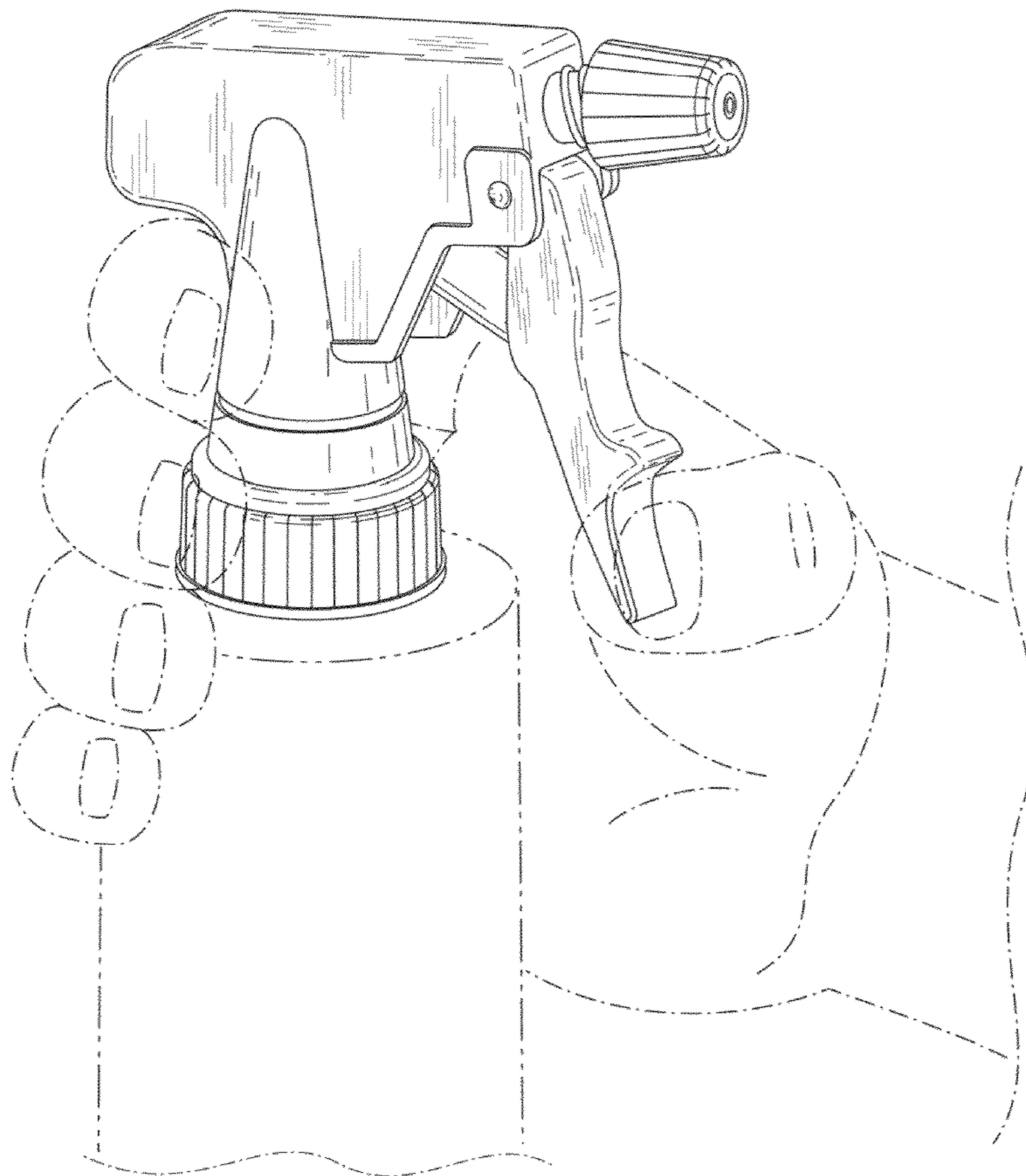
* cited by examiner

(57) **CLAIM**
The ornamental design for a combined pump sprayer and mister, as shown and described.

DESCRIPTION

FIG. 1 is a front, perspective view of the combined pump sprayer and mister;
FIG. 2 is a front elevation view thereof;
FIG. 3 is a rear elevation view of thereof;
FIG. 4 is right side elevation view thereof;
FIG. 5 is a left side elevation view thereof;
FIG. 6 is a top plan view thereof;
FIG. 7 is a bottom plan view thereof; and,
FIG. 8 is another front perspective view thereof.
The broken lines in the drawings represent unclaimed environmental subject matter and form no part of the claim.

1 Claim, 5 Drawing Sheets



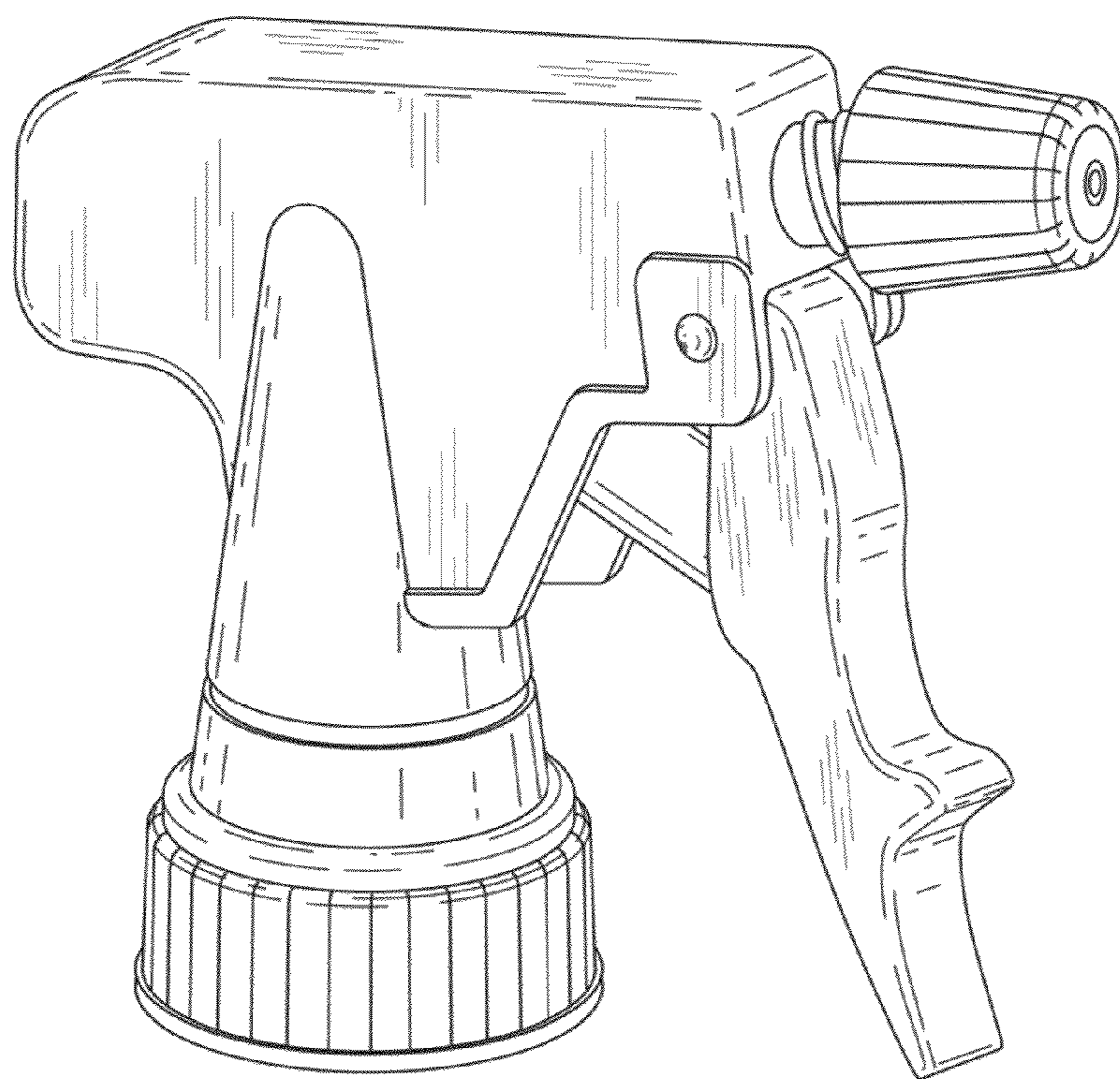


Fig. 1

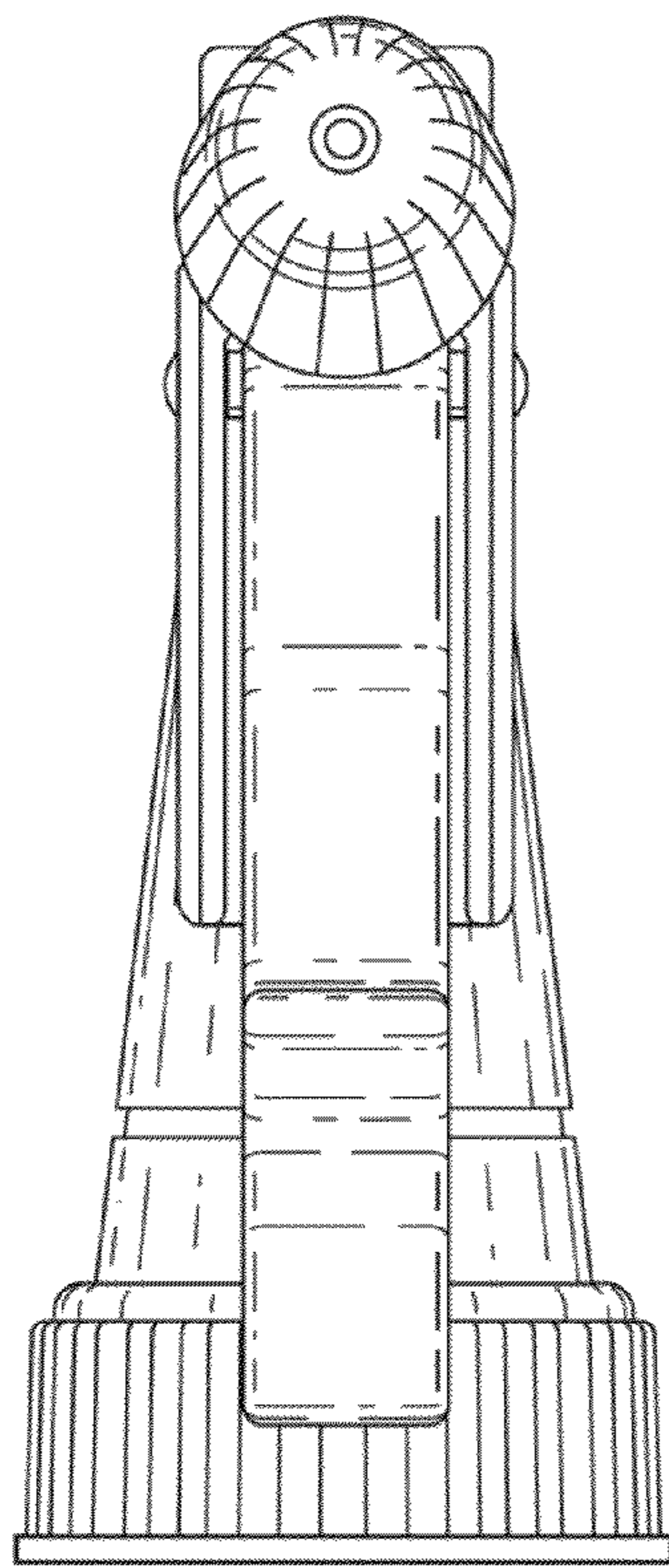


Fig. 2

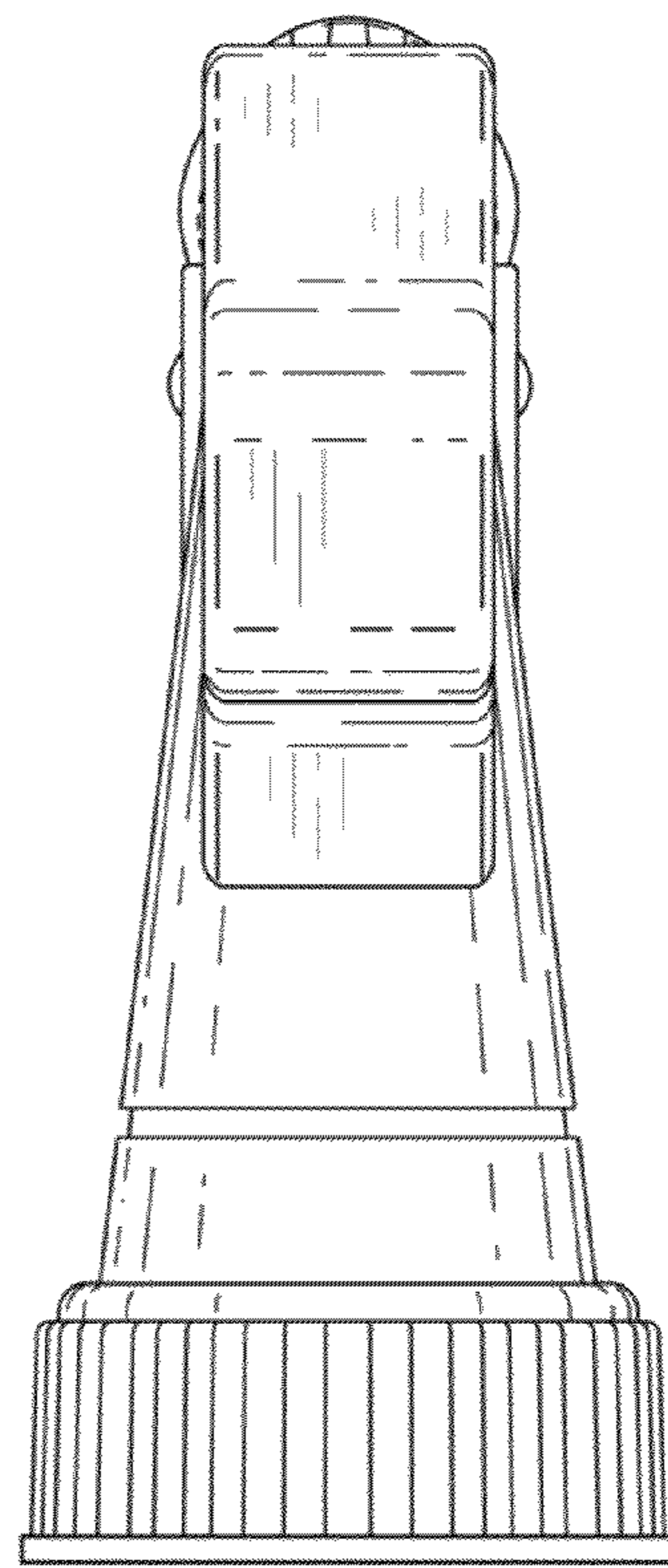


Fig. 3

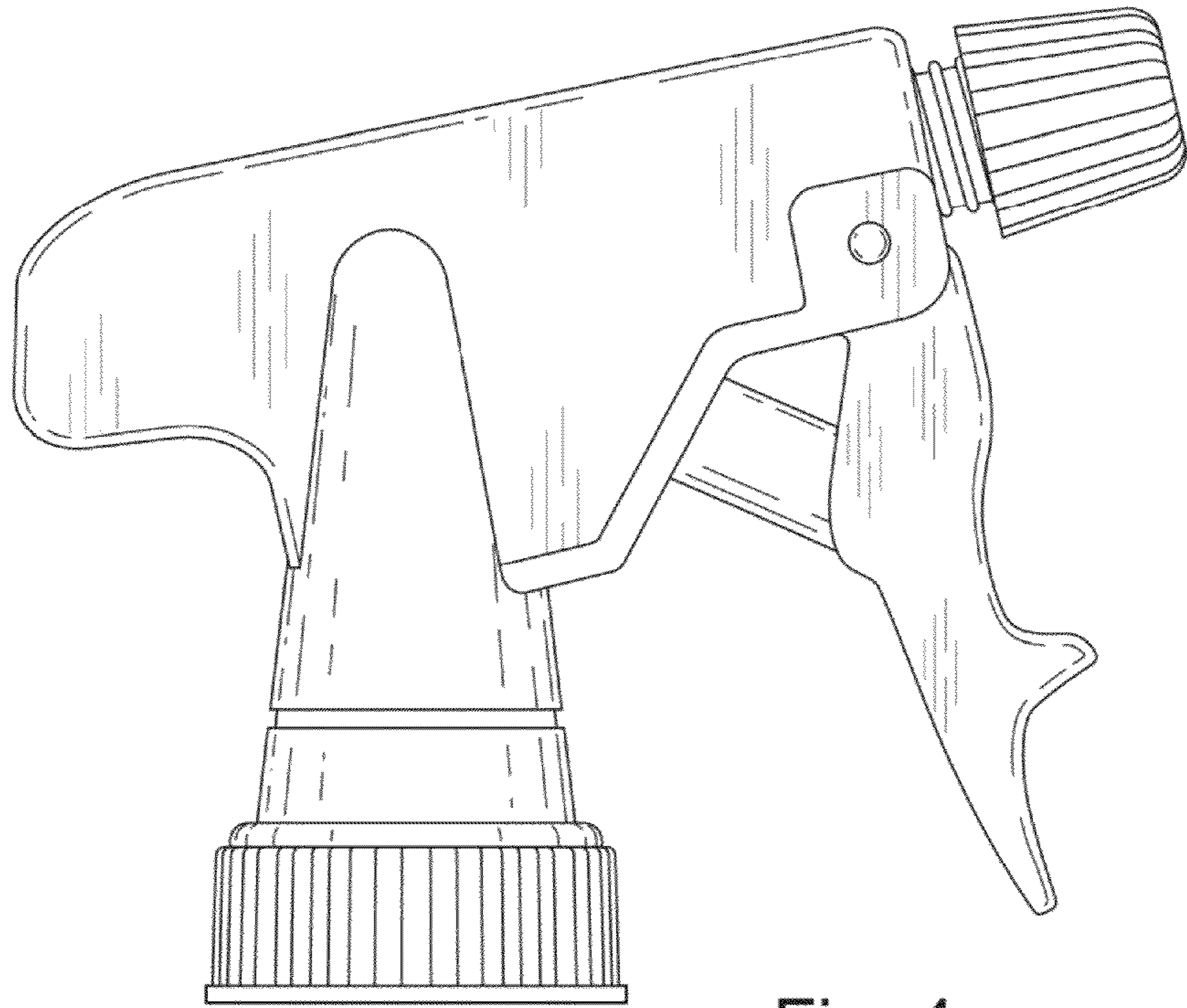


Fig. 4

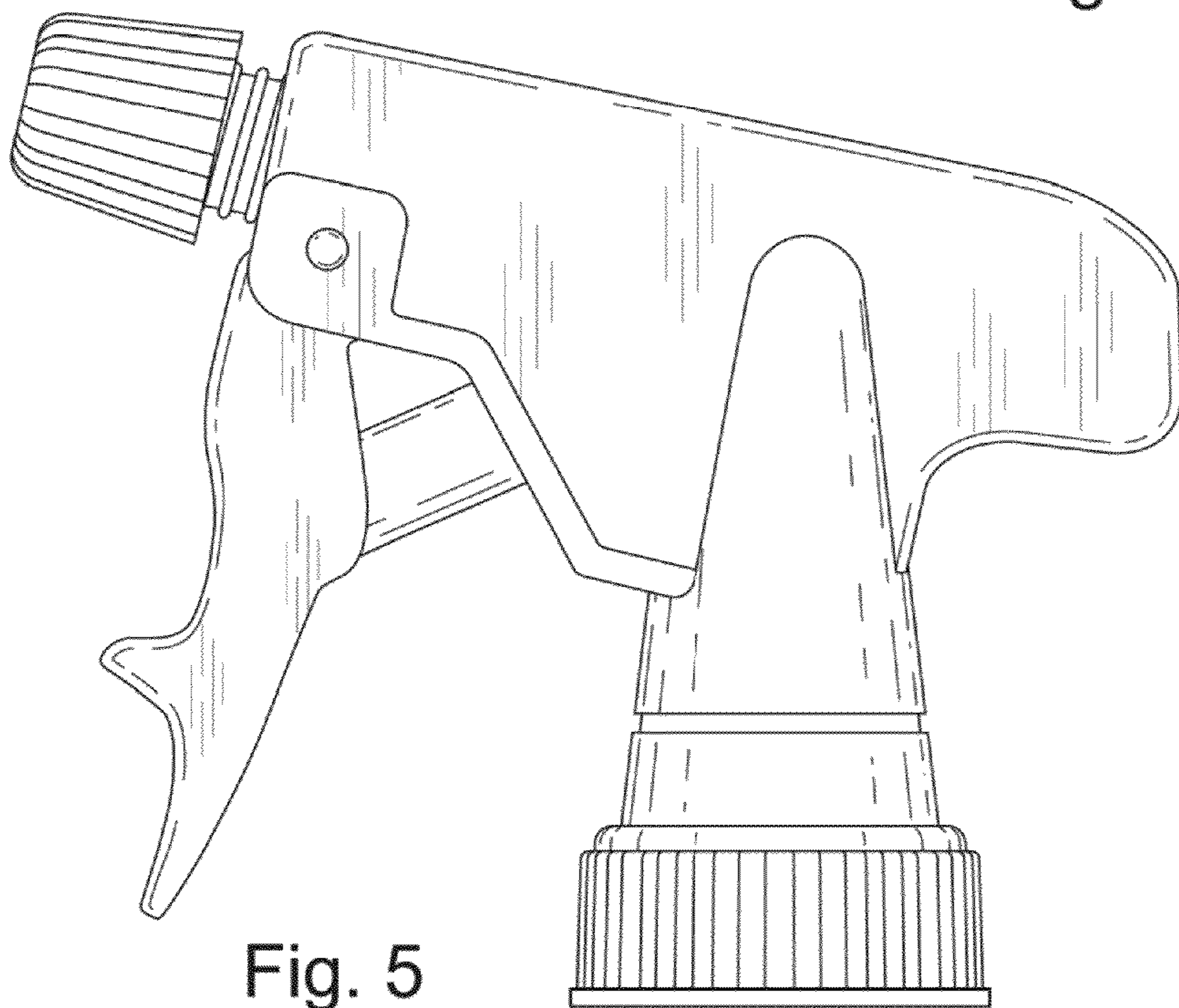


Fig. 5

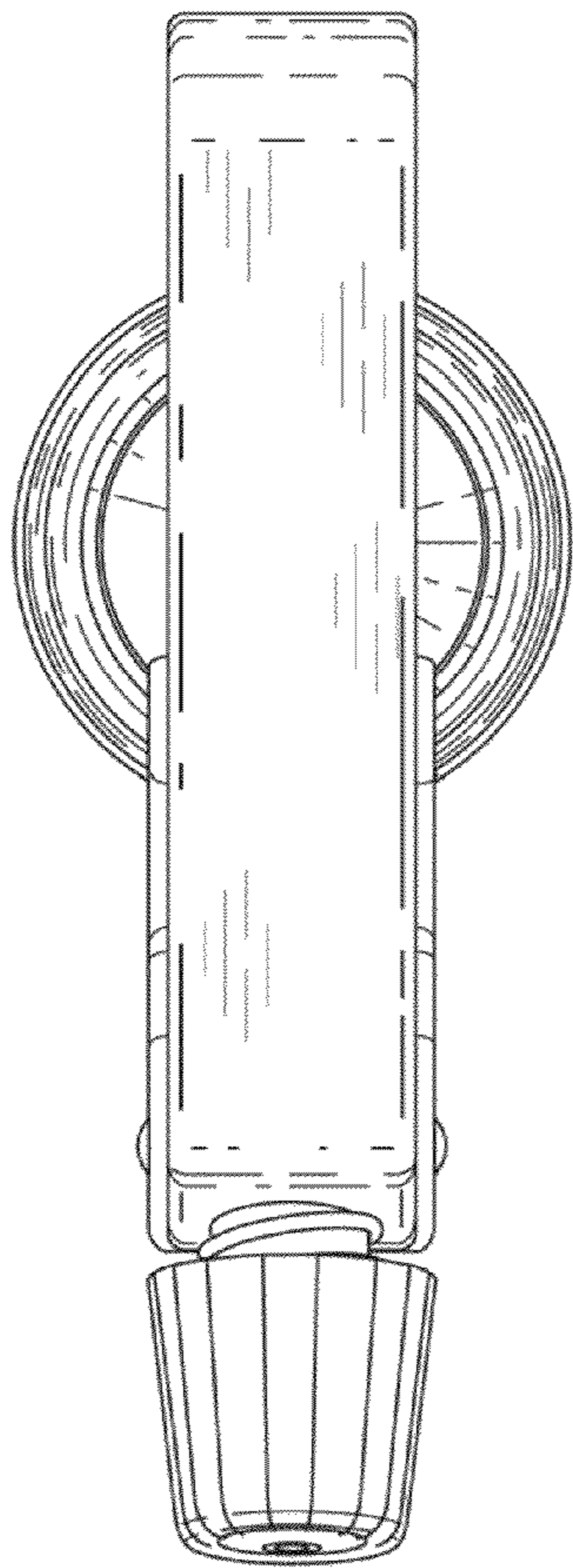


Fig. 6

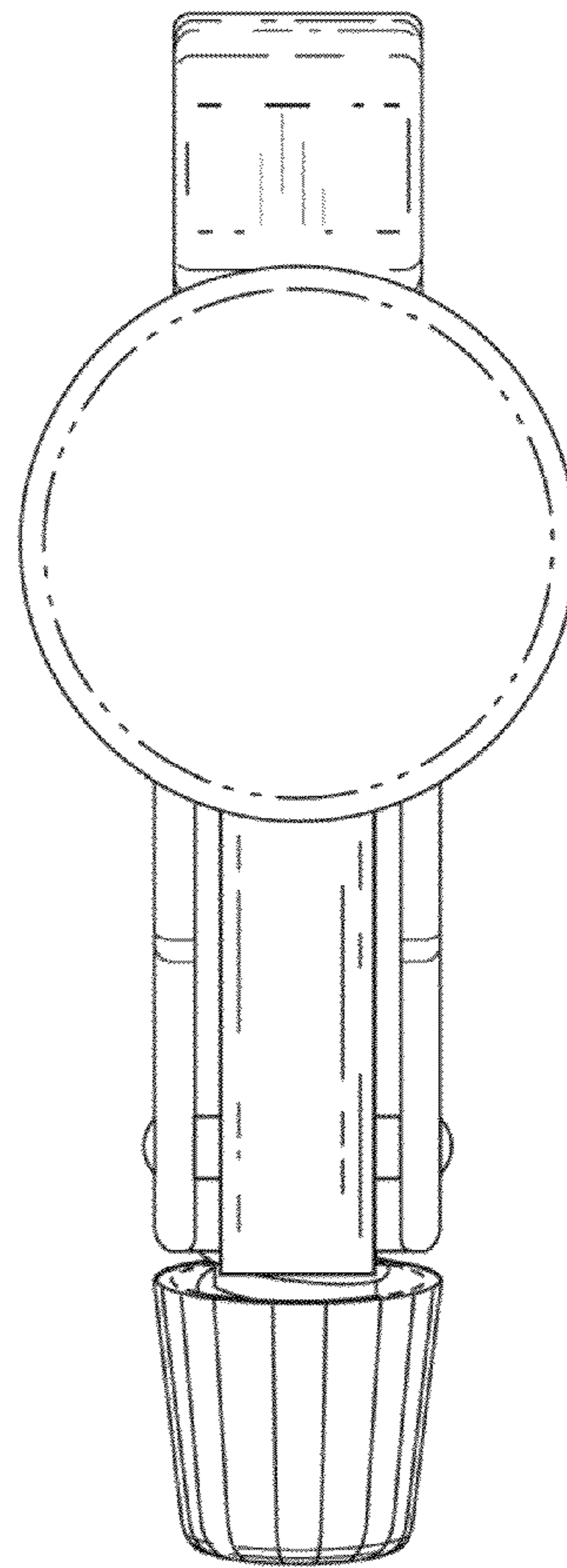


Fig. 7

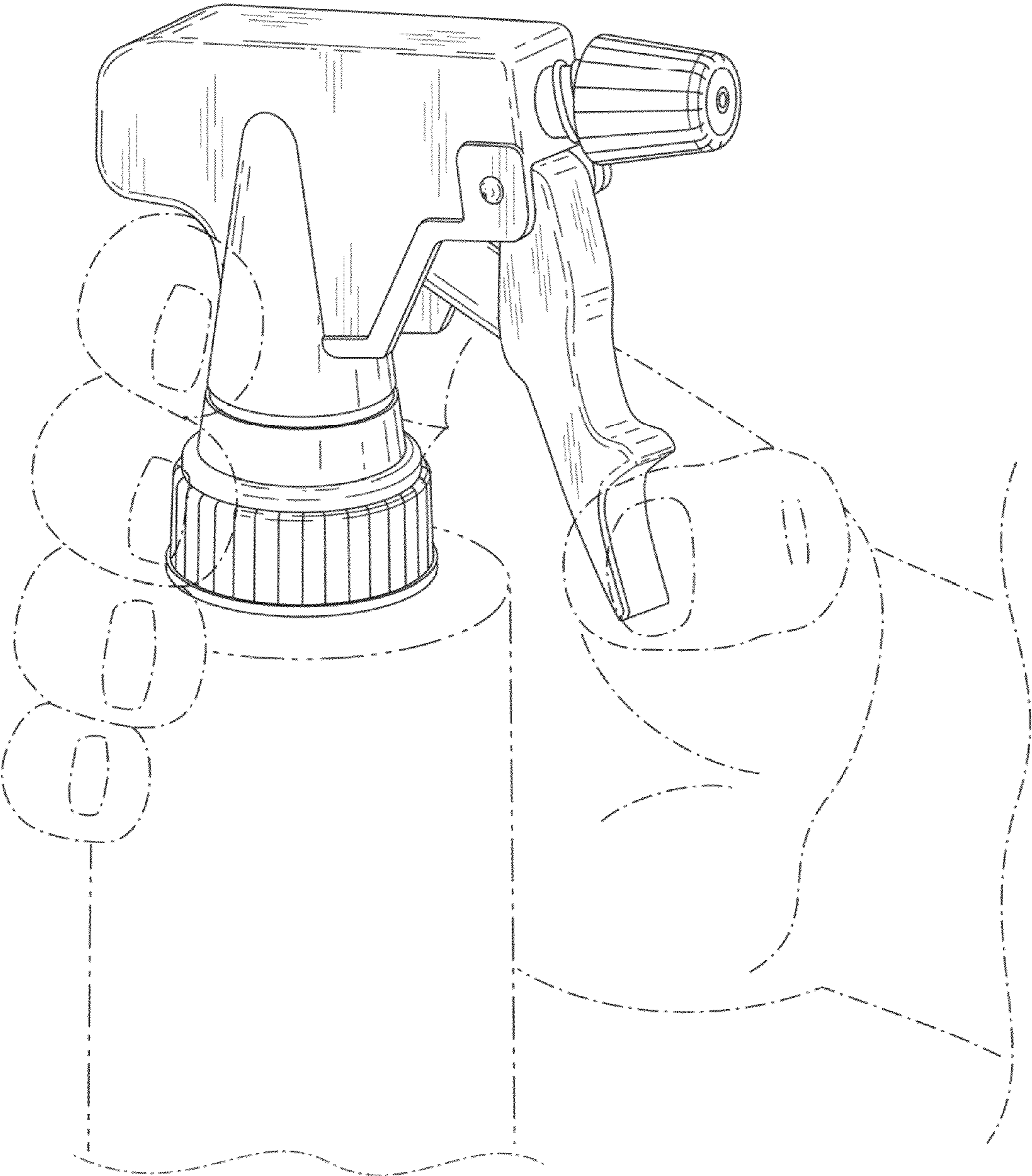


Fig. 8