



US00D715644S

(12) **United States Design Patent**  
**Drozd**

(10) **Patent No.:** **US D715,644 S**  
(45) **Date of Patent:** **\*\* Oct. 21, 2014**

- (54) **SPOUT**
- (71) Applicant: **Aseptia, Inc.**, Raleigh, NC (US)
- (72) Inventor: **James Michael Drozd**, Raleigh, NC (US)
- (73) Assignee: **Aseptia, Inc.**, Raleigh, NC (US)
- (\*\*) Term: **14 Years**
- (21) Appl. No.: **29/444,093**
- (22) Filed: **Jan. 25, 2013**
- (51) **LOC (10) Cl.** ..... **09-07**
- (52) **U.S. Cl.**  
USPC ..... **D9/435; D9/447**
- (58) **Field of Classification Search**  
USPC ..... D23/213; D9/435, 447, 450; 222/566;  
493/87; D5/60  
See application file for complete search history.

6,958,033 B1 \* 10/2005 Malin ..... 493/102  
 D566,547 S \* 4/2008 Lacov ..... D9/435  
 D580,758 S \* 11/2008 Lacov ..... D9/447  
 7,850,044 B2 \* 12/2010 Hildebrand et al. .... 222/107

\* cited by examiner

*Primary Examiner* — Robin V Webster  
(74) *Attorney, Agent, or Firm* — Oliff PLC

(57) **CLAIM**  
The ornamental design for a spout, as shown and described.

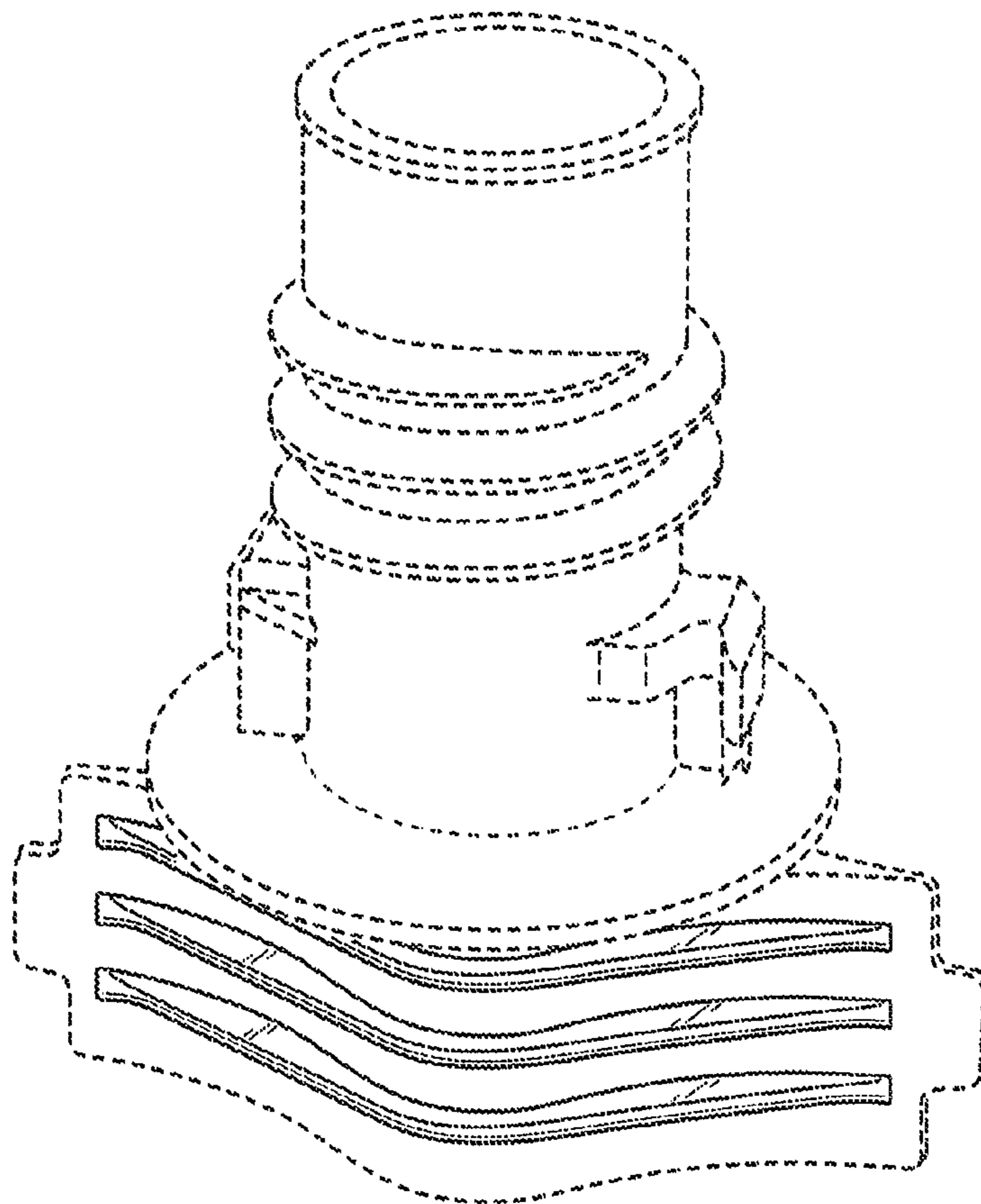
**DESCRIPTION**

FIG. 1 is a perspective view of a spout in accordance with an embodiment of the present invention;  
 FIG. 2 is a front view of the spout of FIG. 1;  
 FIG. 3 is a back view of the spout of FIG. 1;  
 FIG. 4 is a left side view of the spout of FIG. 1;  
 FIG. 5 is a right side view of the spout of FIG. 1;  
 FIG. 6 is a top view of the spout of FIG. 1; and,  
 FIG. 7 is a bottom view of the spout of FIG. 1.  
 The broken lines of FIGS. 1-7 are illustrative of the supporting structure of the spout and form no part of the claimed design.

(56) **References Cited**  
U.S. PATENT DOCUMENTS

D261,212 S \* 10/1981 Mills ..... D7/700  
 D489,978 S \* 5/2004 Brown ..... D9/440

**1 Claim, 6 Drawing Sheets**



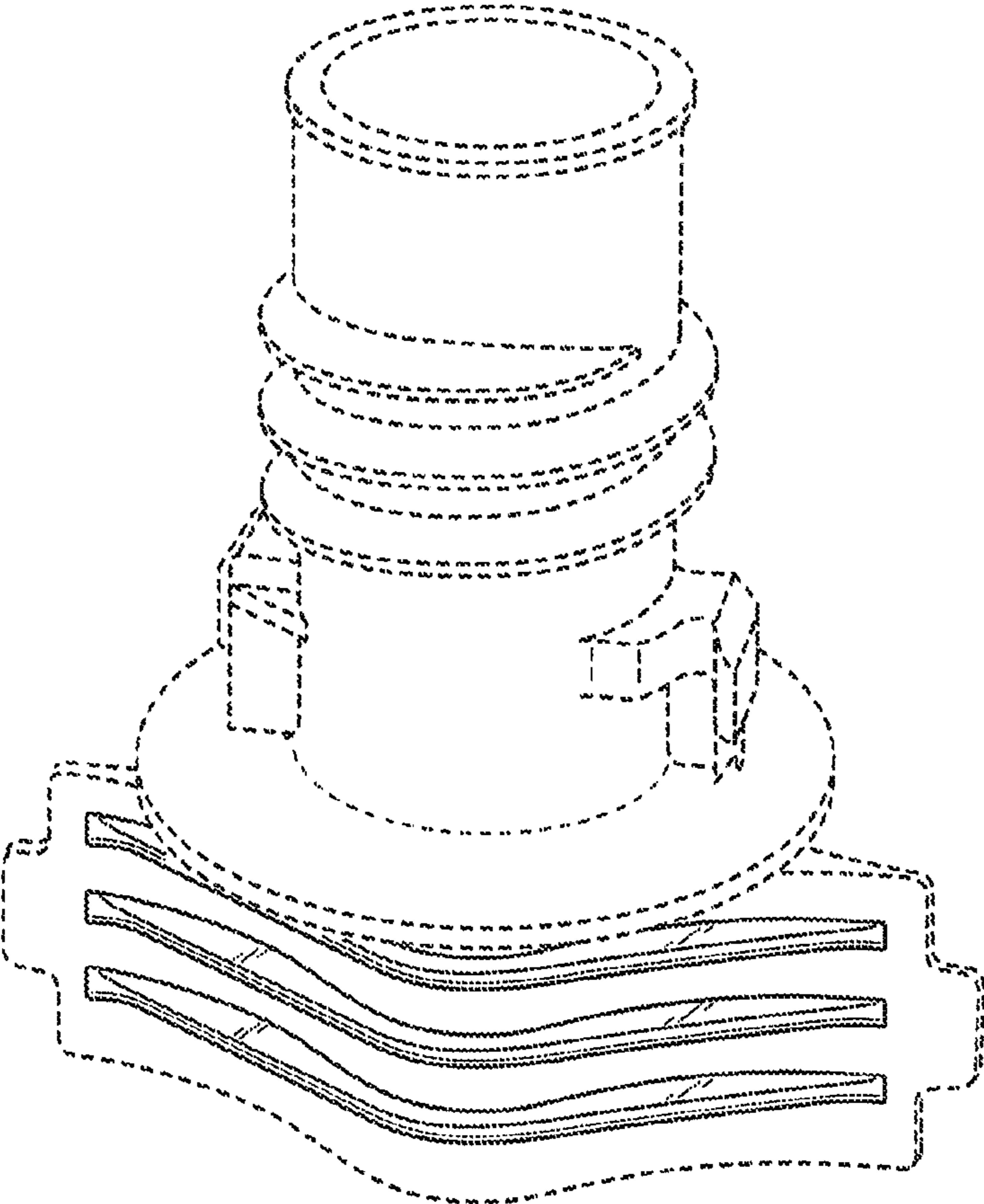


FIG. 1

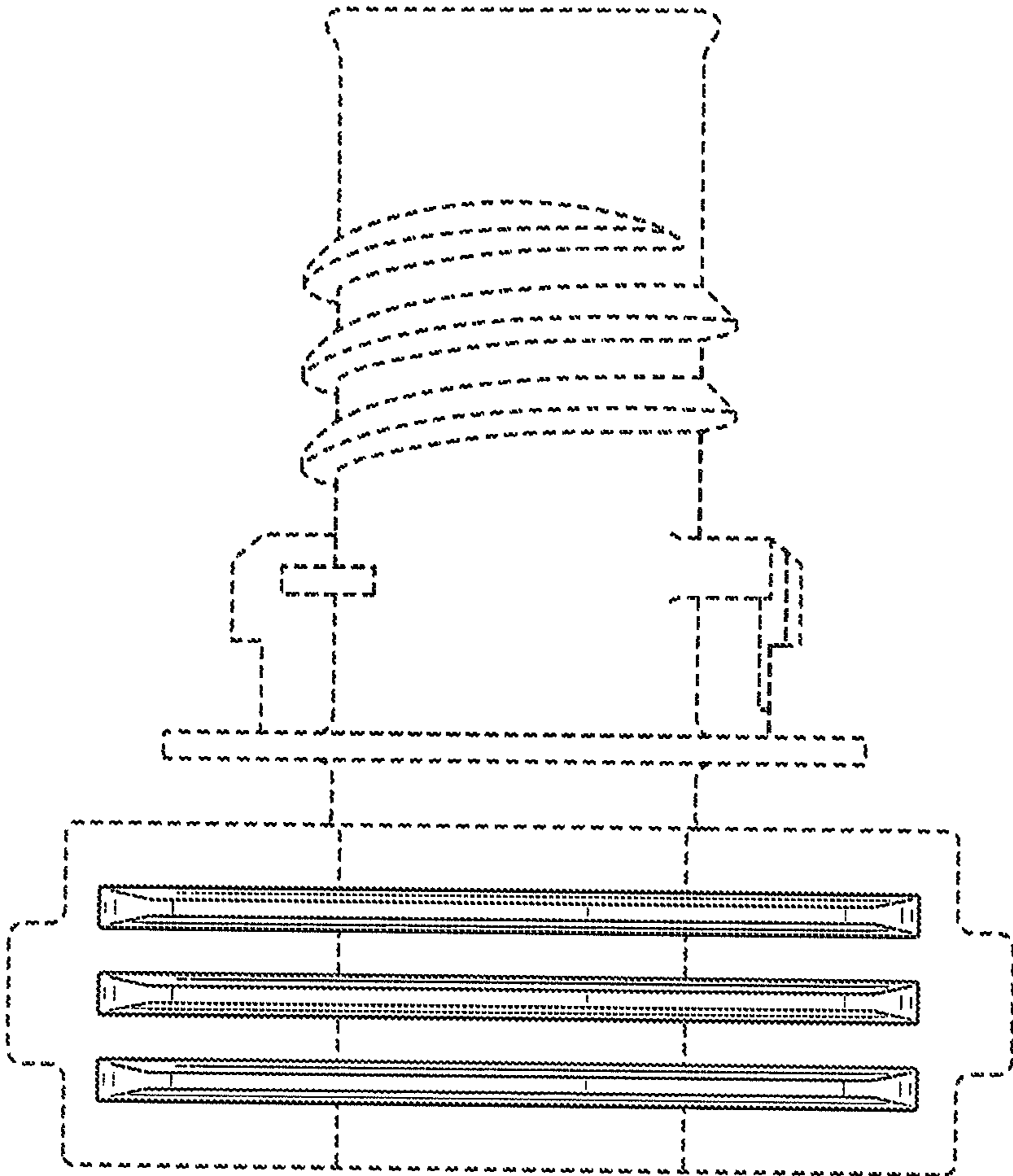


FIG. 2

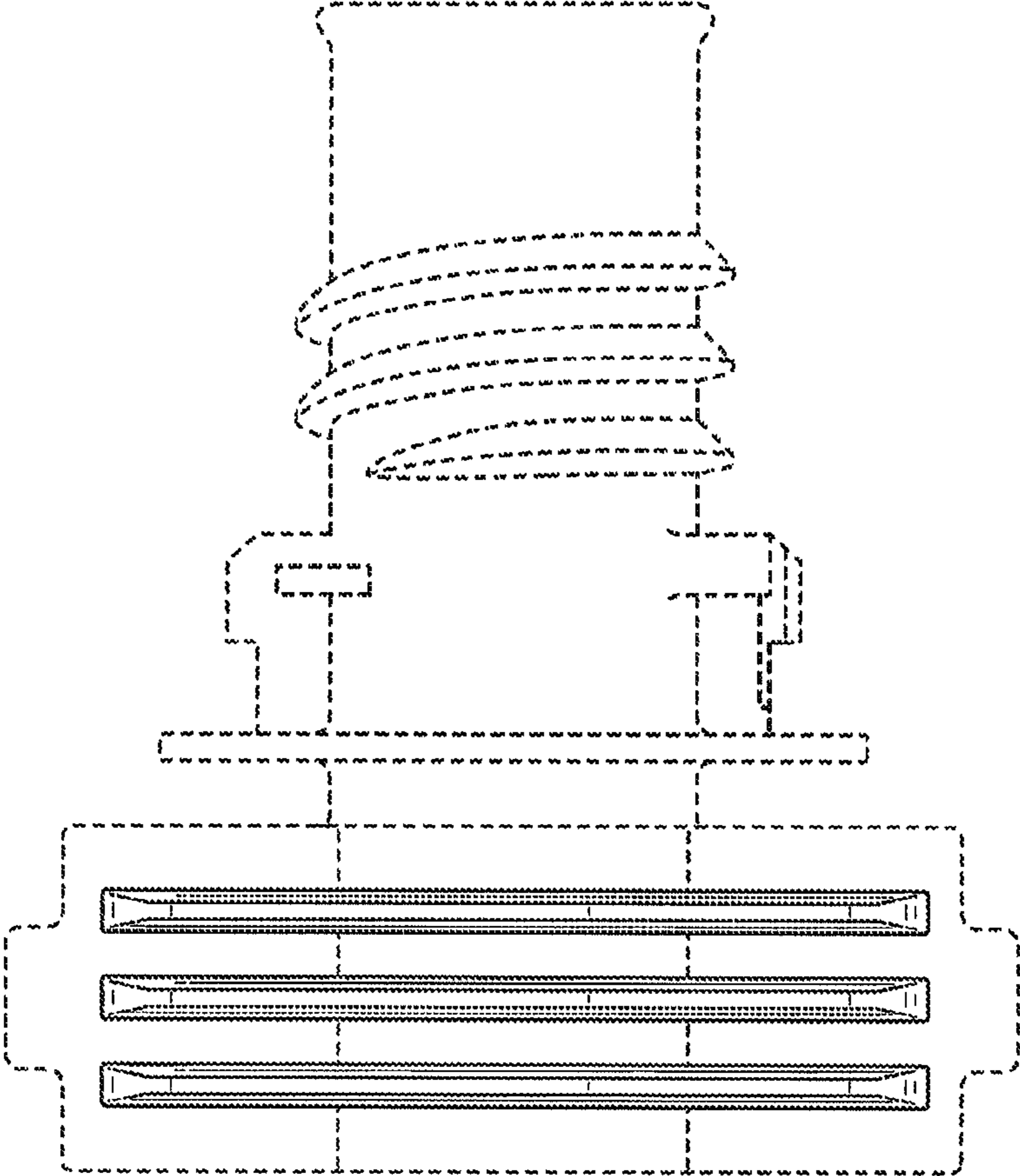


FIG. 3

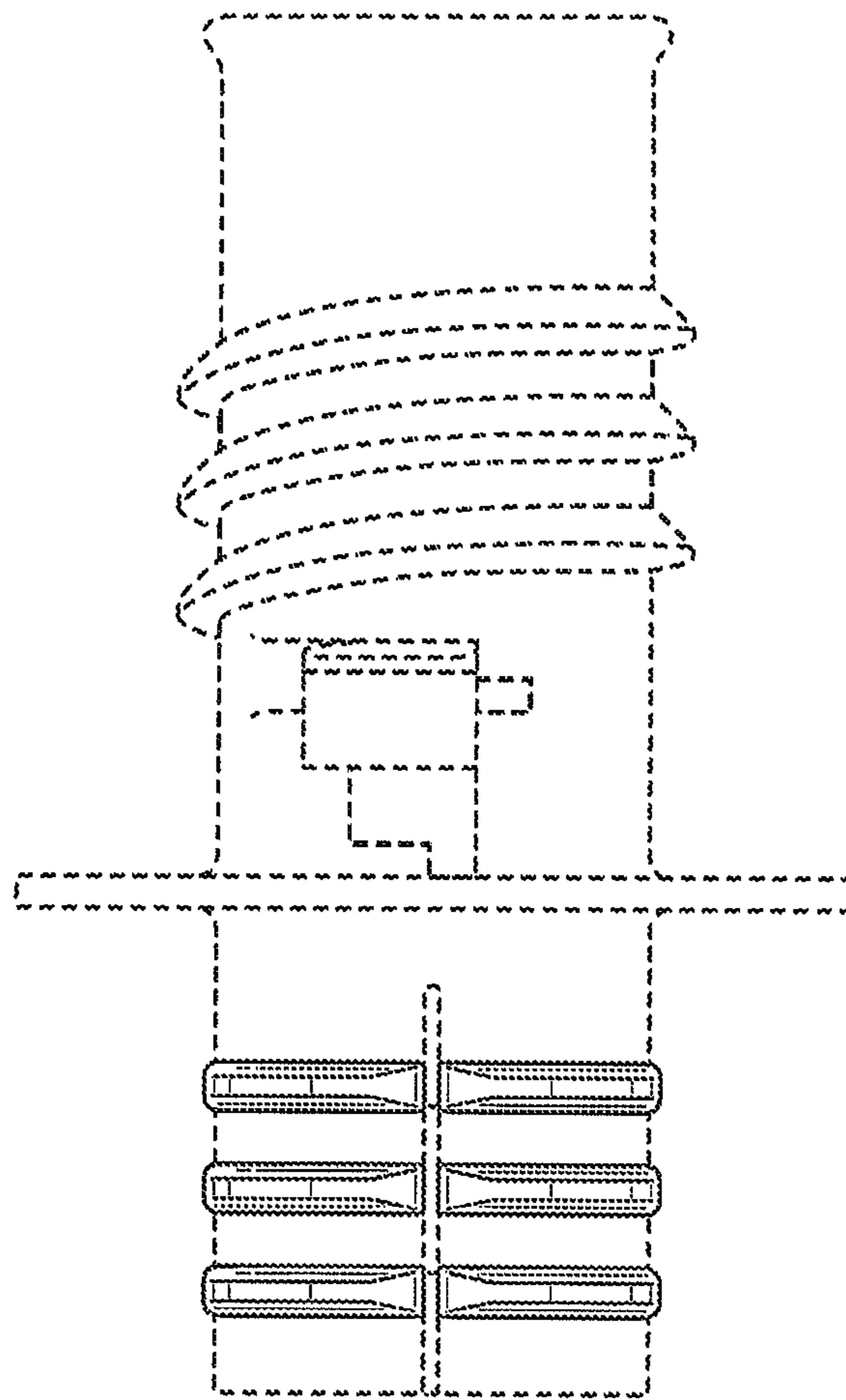


FIG. 4

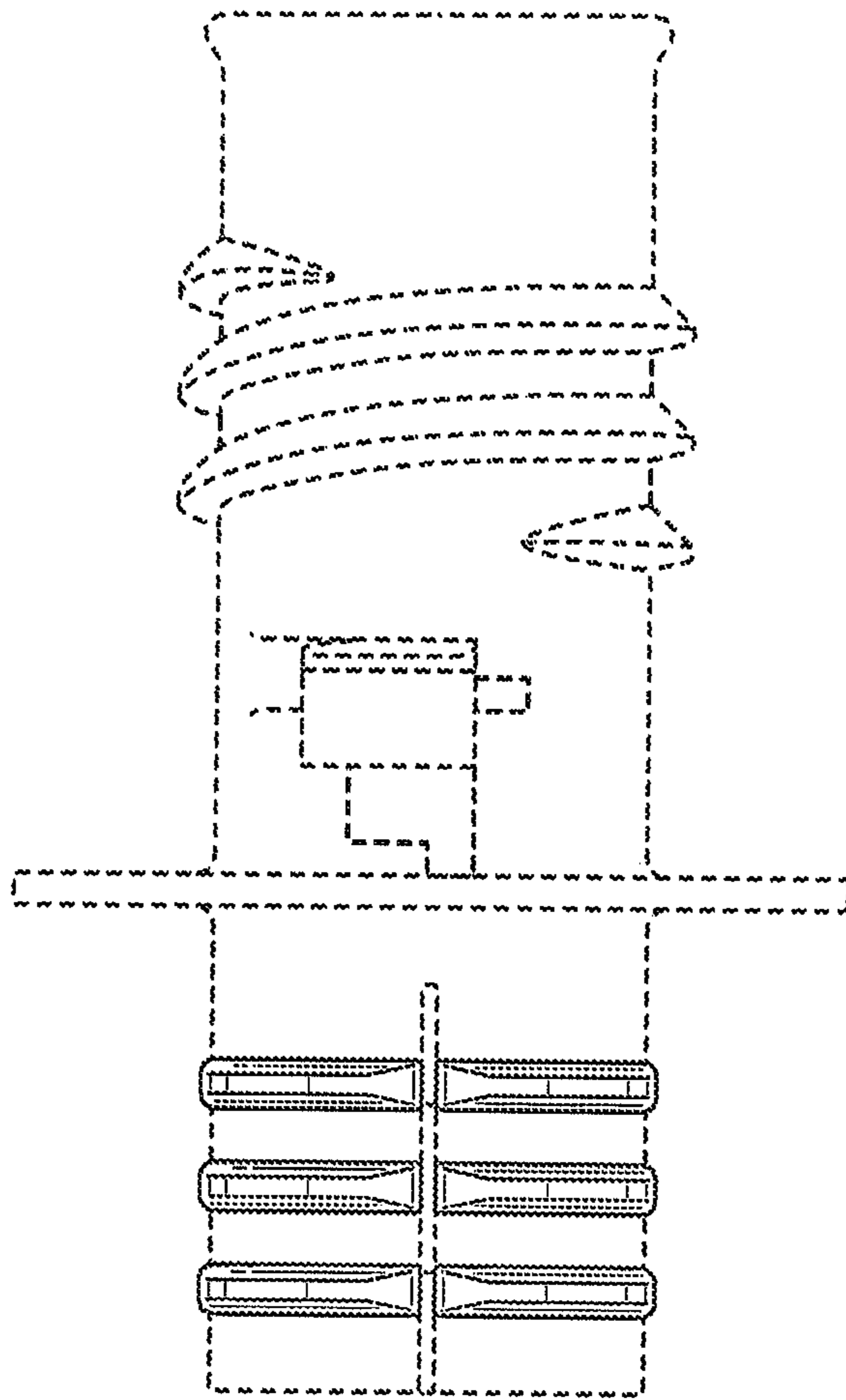


FIG. 5



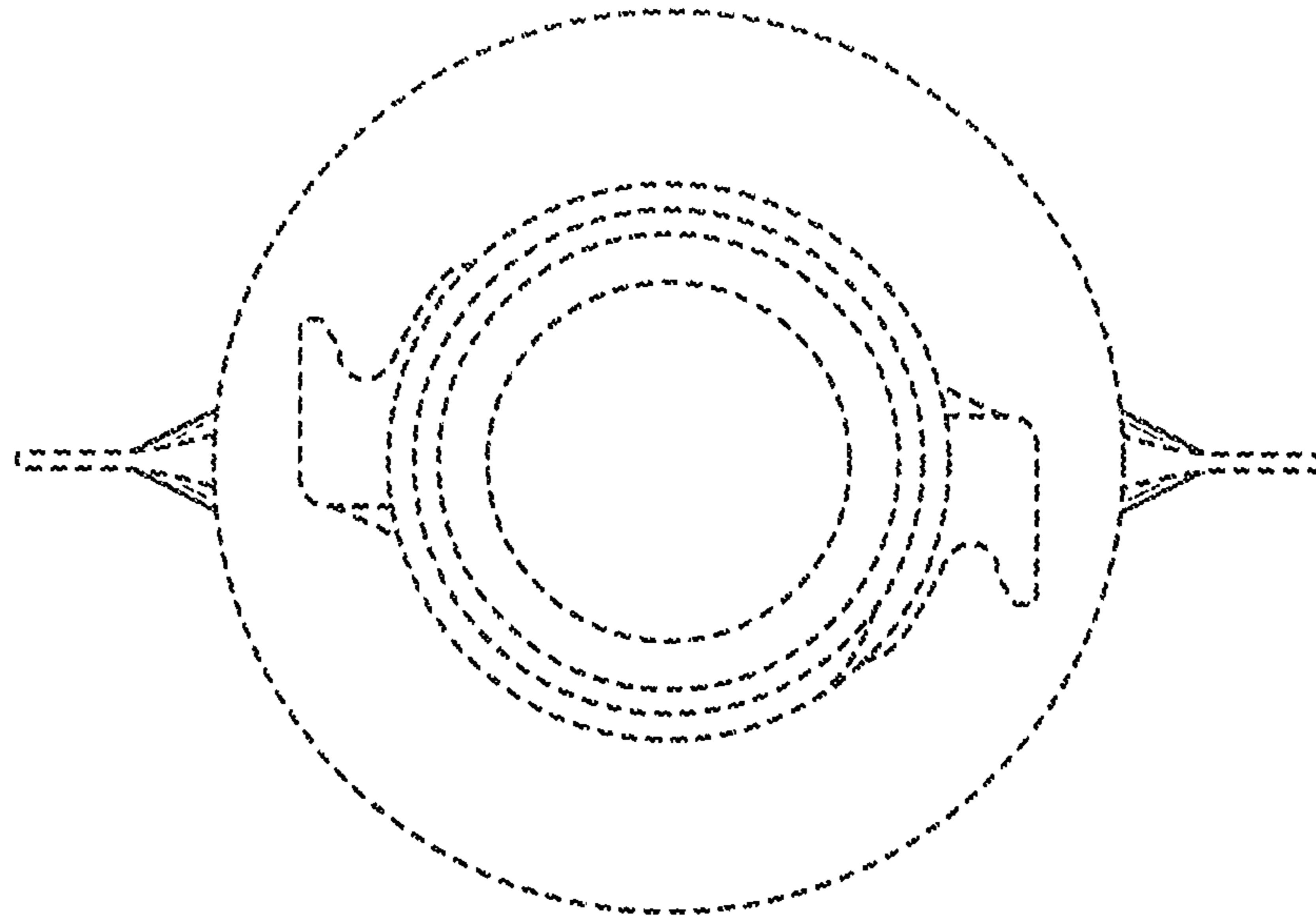


FIG. 6

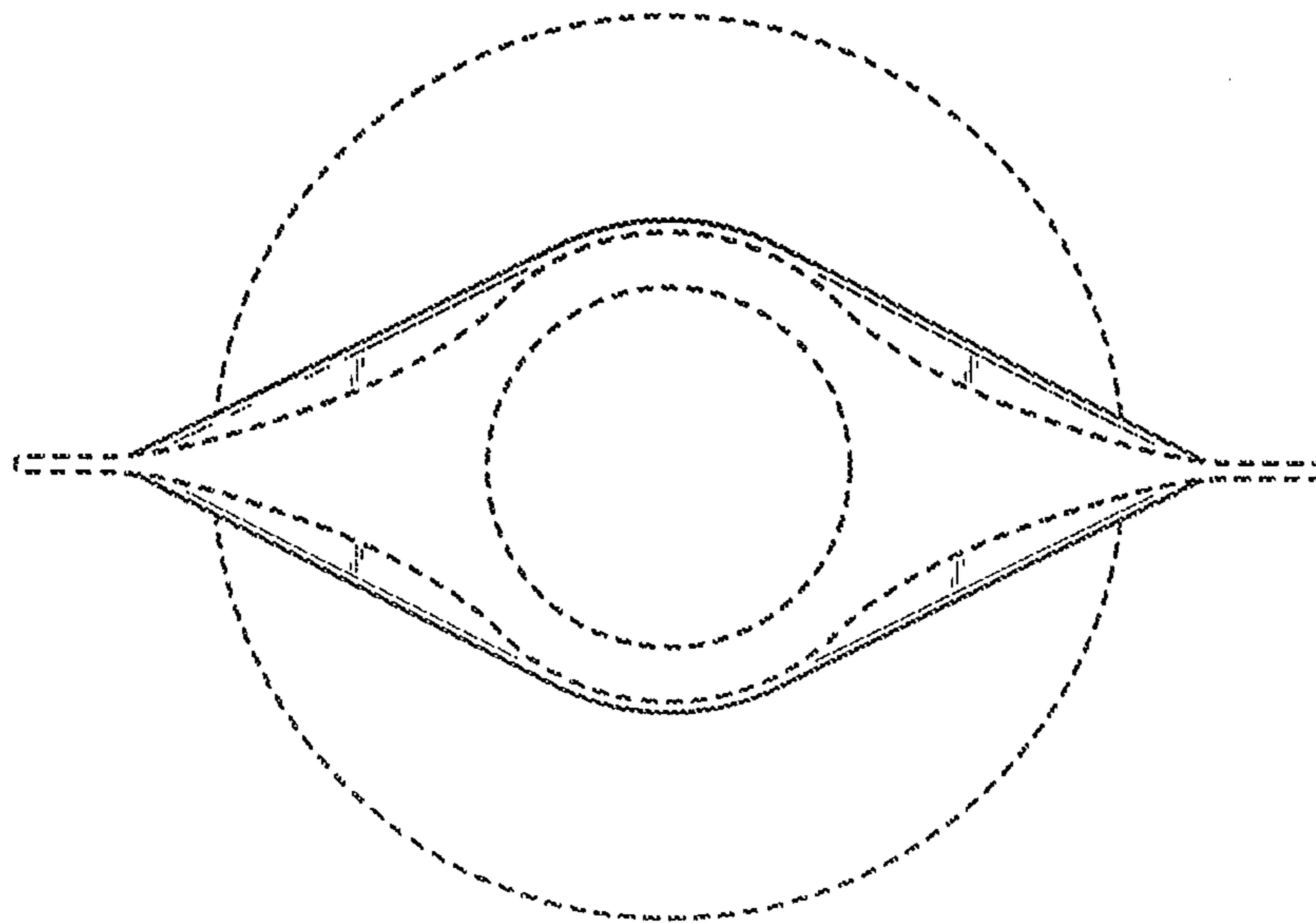


FIG. 7