



US00D715643S

(12) **United States Design Patent**  
**Sanfilippo et al.**

(10) **Patent No.:** **US D715,643 S**

(45) **Date of Patent:** **\*\* Oct. 21, 2014**

(54) **PACKAGE**  
(71) Applicant: **Clear Lam Packaging, Inc.**, Elk Grove Village, IL (US)  
(72) Inventors: **James J. Sanfilippo**, Barrington Hills, IL (US); **John E. Sanfilippo**, Barrington Hills, IL (US); **Francisco Javier Soria**, West Chicago, IL (US); **Jeanne M. Skaggs**, Arlington Heights, IL (US); **Roy Speer**, Barrington Hills, IL (US); **Milorad Radenovic**, Chicago, IL (US)

2,048,122 A 7/1936 Howard  
2,092,858 A 9/1937 Richard  
2,180,841 A 11/1939 Vogt  
2,328,579 A 9/1943 Pelosi  
2,339,156 A 1/1944 Duane  
2,352,766 A 7/1944 Bogue  
2,385,898 A 10/1945 Waters  
2,416,332 A 2/1947 Lehman  
2,508,962 A 5/1950 Moore  
2,524,766 A 10/1950 Carroll  
2,619,226 A 11/1952 Adams

(Continued)

FOREIGN PATENT DOCUMENTS

(73) Assignee: **Clear Lam Packaging, Inc.**, Elk Grove Village, IL (US)

EP 1106508 A1 6/2001  
EP 1508531 A1 2/2005

(\*\*) Term: **14 Years**

(Continued)

(21) Appl. No.: **29/462,097**

*Primary Examiner* — Eric Goodman

(22) Filed: **Jul. 30, 2013**

*Assistant Examiner* — Brett Miller

(51) **LOC (10) Cl.** ..... **09-07**

(74) *Attorney, Agent, or Firm* — Marshall, Gerstein & Borun LLP

(52) **U.S. Cl.**  
USPC ..... **D9/434**

(57) **CLAIM**

(58) **Field of Classification Search**  
CPC ..... B65D 5/32; B65D 5/321; B65D 5/322; B65D 5/323; B65D 5/324; B65D 5/0085; B65D 5/48; B65D 5/48004; B65D 5/503; B65D 5/5028; B65D 5/5088; B65D 5/509; B65D 5/50; B65D 5/5004; B65D 5/5007; B65D 5/5011; B65D 5/5014; B65D 5/4079; G02B 25/002  
USPC ..... D9/414-427, 428-434; D28/64.1, 64.4, D28/64.6; D16/217-219, 135; 359/802, 803  
See application file for complete search history.

The ornamental design for a package, as shown and described.

**DESCRIPTION**

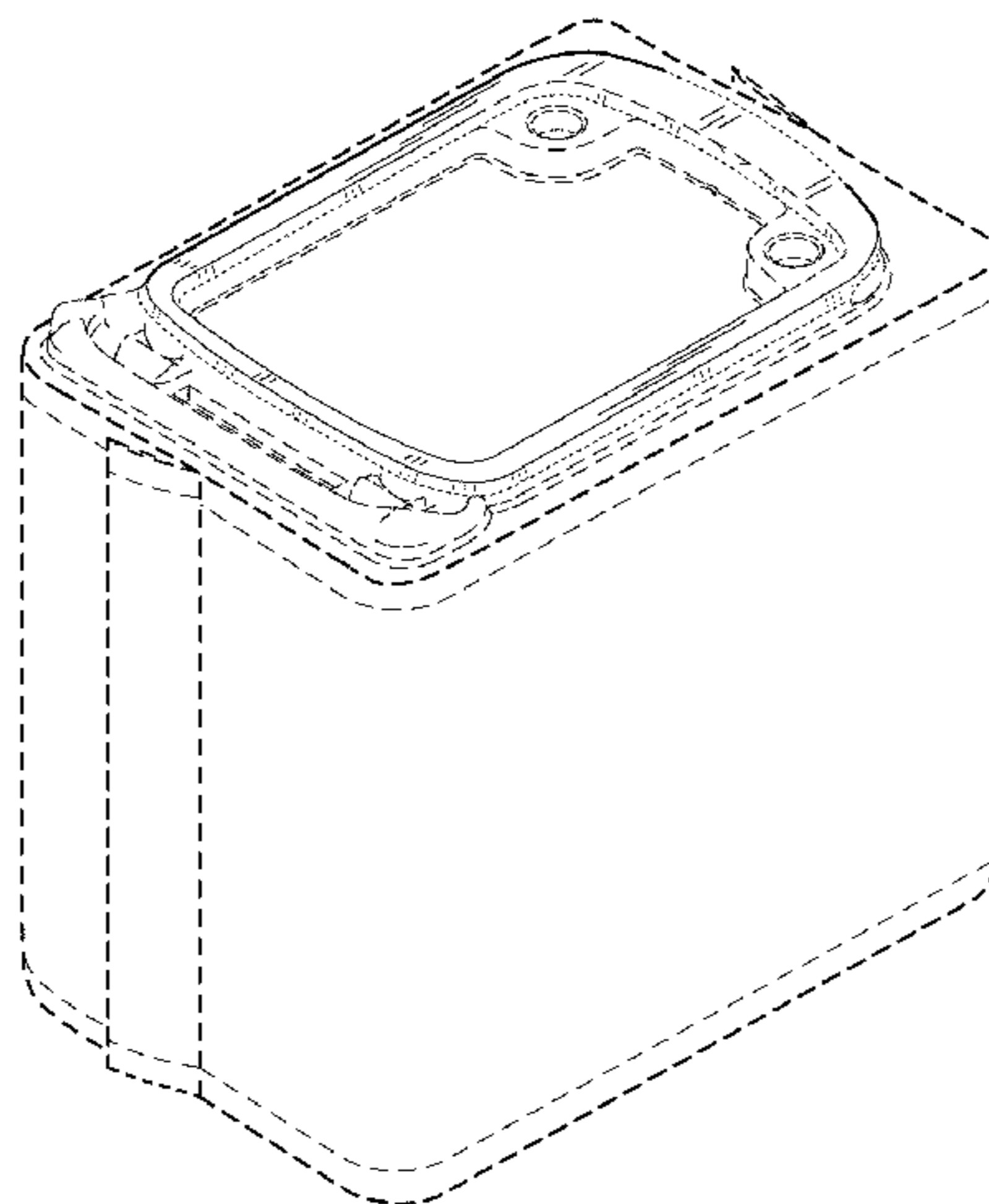
FIG. 1 is a front, right-side, and top isometric view of a package that has the design.  
FIG. 2 is a top plan view of the package. The bottom does not include any part of the design.  
FIG. 3 is a right-side elevation view of the package, the left-side elevation view being a minor image of this view.  
FIG. 4 is a front elevation view of the package; and,  
FIG. 5 is a rear elevation view of the package.  
The dotted lines show the boundaries of the claimed design and the dashed lines show other elements of the package that form no part of the claimed design.

(56) **References Cited**

U.S. PATENT DOCUMENTS

2,017,176 A 10/1935 Andrews  
2,041,227 A 5/1936 Chalmers

**1 Claim, 3 Drawing Sheets**



(56)

References Cited

U.S. PATENT DOCUMENTS

2,750,093 A 6/1956 Moore  
2,758,775 A 8/1956 Moore  
2,819,831 A 1/1958 Polarek et al.  
2,936,940 A 5/1960 Berghgracht  
2,970,735 A 2/1961 Jacke  
3,006,257 A 10/1961 Orsini  
3,127,082 A 3/1964 Meyer-Jagenberg  
3,228,584 A 1/1966 Ashton  
3,259,303 A 7/1966 Repko  
3,314,591 A 4/1967 Cheeley  
3,349,959 A 10/1967 Watkins  
3,373,917 A 3/1968 Cox  
3,380,646 A 4/1968 Doyen et al.  
3,426,499 A 2/1969 Paige  
3,434,652 A 3/1969 Shore  
3,437,258 A 4/1969 Kugler  
3,462,067 A 8/1969 Shore  
3,505,779 A 4/1970 Kopp  
3,562,392 A 2/1971 Mylius  
3,604,491 A 9/1971 Spiess  
3,738,567 A 6/1973 Ruda  
3,739,977 A 6/1973 Shapiro et al.  
3,785,112 A 1/1974 Leasure et al.  
3,917,158 A 11/1975 Dorofachuk et al.  
3,935,993 A 2/1976 Doyen et al.  
3,940,054 A 2/1976 Goebel et al.  
3,968,921 A 7/1976 Jewell  
3,980,225 A 9/1976 Kan  
4,041,851 A 8/1977 Jentsch  
4,101,051 A 7/1978 Reil  
4,129,976 A 12/1978 Grundler et al.  
4,197,949 A 4/1980 Carlsson  
4,308,679 A 1/1982 Ray, III et al.  
D265,777 S 8/1982 Elzea et al.  
4,345,393 A 8/1982 Price et al.  
D266,049 S 9/1982 Conti  
4,353,497 A 10/1982 Bustin  
4,512,476 A 4/1985 Herrington, Jr.  
4,531,668 A 7/1985 Forbes, Jr.  
4,576,309 A 3/1986 Tzifkansky et al.  
D285,777 S \* 9/1986 Forbes, Jr. .... D9/416  
D286,745 S 11/1986 Forbes, Jr.  
4,687,104 A 8/1987 Ielmini  
4,738,365 A 4/1988 Prater  
4,746,019 A 5/1988 Prater  
D297,214 S 8/1988 Forbes, Jr.  
4,790,436 A 12/1988 Nakamura  
4,798,295 A 1/1989 Rausing  
4,837,849 A 6/1989 Erickson et al.  
4,848,575 A 7/1989 Nakamura et al.  
4,851,246 A 7/1989 Maxwell et al.  
D304,016 S 10/1989 Forbes, Jr.  
D315,099 S 3/1991 Alizard  
5,036,997 A 8/1991 May et al.  
5,044,777 A 9/1991 Watkins et al.  
5,059,036 A 10/1991 Richison et al.  
5,065,887 A 11/1991 Schuh et al.  
5,158,371 A 10/1992 Moravek  
D332,399 S 1/1993 Neff  
5,195,829 A 3/1993 Watkins et al.  
5,205,651 A 4/1993 Decottignies et al.  
5,254,073 A 10/1993 Richison et al.  
D351,090 S 10/1994 Narsutis  
5,353,946 A 10/1994 Behrend  
5,356,069 A 10/1994 Bochet et al.  
5,366,104 A \* 11/1994 Armstrong ..... 220/832  
D354,436 S 1/1995 Krupa  
D364,563 S 11/1995 Miller et al.  
5,498,080 A 3/1996 Dalea et al.  
5,505,305 A 4/1996 Scholz et al.  
5,542,902 A 8/1996 Richison et al.  
5,556,026 A 9/1996 Blankitny  
D374,774 S 10/1996 Cassel  
5,577,612 A 11/1996 Chesson et al.  
5,611,452 A 3/1997 Bonora et al.

5,613,608 A 3/1997 Tronchetti et al.  
5,655,706 A 8/1997 Vandiver  
D386,001 S 11/1997 Saffran  
5,704,480 A 1/1998 Scholz et al.  
D394,606 S 5/1998 Zorn et al.  
5,770,839 A 6/1998 Ruebush et al.  
5,772,332 A 6/1998 Geller  
D395,952 S 7/1998 Buczwinski et al.  
5,785,179 A 7/1998 Buczwinski et al.  
5,788,121 A 8/1998 Sasaki et al.  
5,788,378 A 8/1998 Thomas  
5,791,465 A 8/1998 Niki et al.  
D398,526 S 9/1998 Schwarz et al.  
D398,844 S \* 9/1998 Oberloier ..... D9/415  
5,799,863 A 9/1998 Capy et al.  
5,826,401 A 10/1998 Bois  
5,842,790 A 12/1998 Imer  
5,862,652 A 1/1999 Schoeler  
D409,484 S 5/1999 Tasker  
D412,439 S 8/1999 Cormack  
6,005,234 A 12/1999 Moseley et al.  
6,021,624 A 2/2000 Richison et al.  
6,026,953 A 2/2000 Nakamura et al.  
D421,901 S 3/2000 Hill  
D421,902 S 3/2000 Hill  
6,036,365 A 3/2000 Imer  
D427,056 S 6/2000 Irace et al.  
6,113,271 A 9/2000 Scott et al.  
6,120,183 A 9/2000 Buchanan et al.  
D431,464 S \* 10/2000 Collins et al. .... D9/425  
6,137,098 A 10/2000 Moseley et al.  
6,149,304 A 11/2000 Hamilton et al.  
D437,686 S 2/2001 Balzar et al.  
6,182,887 B1 2/2001 Ljunstrom et al.  
6,229,061 B1 5/2001 Dragoo et al.  
6,231,237 B1 5/2001 Geller  
6,261,215 B1 7/2001 Imer  
D446,014 S 8/2001 Adkins  
6,273,610 B1 8/2001 Koyama et al.  
6,274,181 B1 8/2001 Richison et al.  
D450,960 S 11/2001 Boyea et al.  
D452,374 S 12/2001 Kim  
6,325,239 B2 12/2001 Randall et al.  
6,423,356 B2 7/2002 Richison et al.  
D461,403 S 8/2002 Chomik et al.  
D463,276 S 9/2002 Piscopo et al.  
6,446,796 B1 9/2002 Schmidt  
D464,884 S 10/2002 Sumpmann et al.  
D464,894 S 10/2002 Mittersinker et al.  
6,481,183 B1 11/2002 Schmidt  
D466,807 S 12/2002 Buck et al.  
6,510,673 B1 1/2003 Visona' et al.  
6,513,308 B1 2/2003 Meeuwesen et al.  
D471,804 S 3/2003 Staples  
D473,461 S 4/2003 Joubert  
6,615,567 B2 9/2003 Kuhn et al.  
6,659,645 B1 12/2003 Schulz  
D485,461 S 1/2004 Sams et al.  
6,679,034 B2 1/2004 Kohl et al.  
6,695,757 B2 2/2004 Edwards et al.  
D487,192 S 3/2004 Farnham et al.  
D489,530 S 5/2004 Lindsay  
6,729,112 B2 5/2004 Kuss et al.  
6,736,309 B1 5/2004 Westerman et al.  
6,746,388 B2 6/2004 Edwards et al.  
6,761,279 B1 7/2004 Martin et al.  
6,783,277 B2 8/2004 Edwards et al.  
6,817,160 B2 11/2004 Schmidt  
D501,134 S 1/2005 Takahashi et al.  
6,845,602 B2 1/2005 Drut  
D502,095 S \* 2/2005 Tucker et al. .... D9/425  
D503,336 S 3/2005 Tucker et al.  
D504,622 S 5/2005 Takahashi et al.  
6,918,532 B2 7/2005 Sierra-Gomez et al.  
6,953,069 B2 10/2005 Galomb  
D513,870 S 1/2006 Rosine et al.  
D514,439 S 2/2006 Snedden et al.  
D528,010 S 9/2006 Yashima et al.  
D531,894 S 11/2006 Ramirez et al.

(56)

References Cited

U.S. PATENT DOCUMENTS

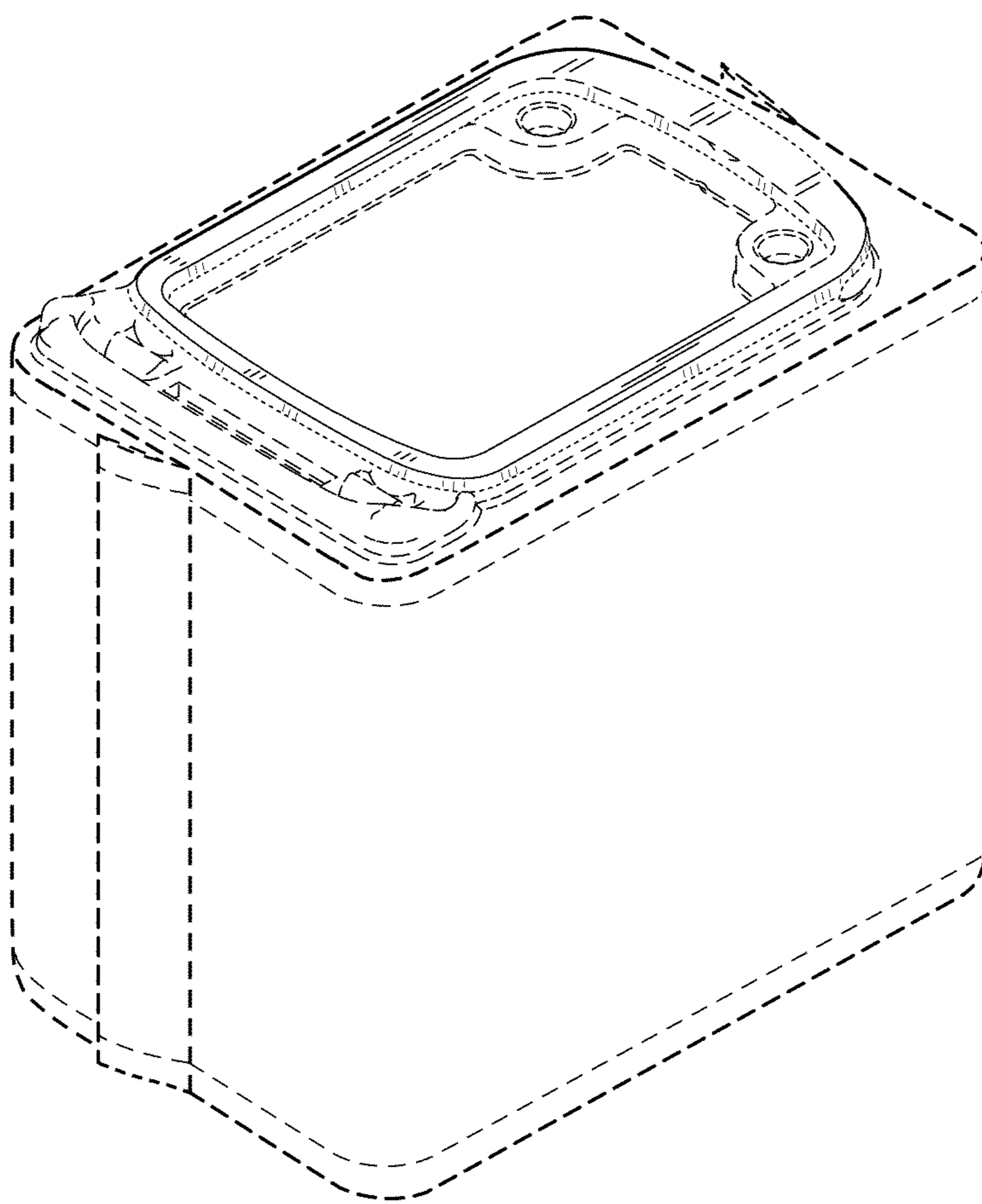
7,153,026 B2 12/2006 Galomb  
 7,156,556 B2 1/2007 Takahashi et al.  
 D536,608 S \* 2/2007 Arkins ..... D9/414  
 7,213,710 B2 5/2007 Cotert  
 D544,762 S 6/2007 Zimmerman  
 D545,186 S 6/2007 Liebe et al.  
 D548,080 S 8/2007 Brown et al.  
 D551,508 S 9/2007 Friedland et al.  
 D552,468 S 10/2007 Seum et al.  
 7,299,608 B2 11/2007 Kohl et al.  
 D569,719 S 5/2008 Ross  
 D571,146 S 6/2008 Sanfilippo et al.  
 D571,197 S 6/2008 Sanfilippo et al.  
 D591,555 S 5/2009 Sanfilippo et al.  
 D593,369 S 6/2009 Green et al.  
 D608,193 S 1/2010 Sanfilippo et al.  
 7,665,629 B2 2/2010 Julius et al.  
 7,665,895 B2 2/2010 Takita et al.  
 7,780,006 B2 8/2010 Clark, Jr. et al.  
 D629,296 S 12/2010 De Muynck  
 D637,577 S \* 5/2011 Han et al. .... D14/138 AA  
 7,993,256 B2 8/2011 Takita et al.  
 8,006,833 B2 8/2011 Clark, Jr. et al.  
 8,038,349 B2 10/2011 Andersson et al.  
 D648,302 S \* 11/2011 Park et al. .... D14/138 AA  
 8,066,137 B2 11/2011 Sanfilippo et al.  
 8,132,395 B2 3/2012 Gehring et al.  
 8,231,024 B2 7/2012 Sanfilippo et al.  
 8,276,353 B2 10/2012 Reaves et al.  
 8,308,363 B2 11/2012 Vogt et al.  
 D676,014 S \* 2/2013 Chung ..... D14/138 AA  
 D682,244 S \* 5/2013 Park et al. .... D14/138 AA  
 D686,181 S \* 7/2013 Jeong ..... D14/138 AA  
 D689,767 S \* 9/2013 Clark et al. .... D9/425  
 D696,107 S 12/2013 Kimple et al.  
 8,602,242 B2 12/2013 Sanfilippo et al.  
 8,602,244 B2 12/2013 Sanfilippo et al.  
 2001/0005979 A1 7/2001 Kuss et al.  
 2001/0040107 A1 11/2001 Tourre et al.

2002/0094922 A1 7/2002 Edwards et al.  
 2003/0041564 A1 3/2003 Schmidt  
 2003/0059130 A1 3/2003 Yoneyama et al.  
 2003/0100424 A1 5/2003 Barmore et al.  
 2003/0111523 A1 6/2003 Haugan  
 2003/0230504 A1 12/2003 Hamming  
 2004/0089578 A1 5/2004 Lin  
 2004/0099570 A1 5/2004 Cargile  
 2004/0185156 A1 9/2004 Garwood  
 2004/0188457 A1 9/2004 Galomb  
 2004/0226625 A1 11/2004 Galomb  
 2004/0232029 A1 11/2004 Cotert  
 2004/0251163 A1 12/2004 Conde et al.  
 2005/0011906 A1 1/2005 Buck et al.  
 2005/0053315 A1 3/2005 Aasen  
 2005/0069230 A1 3/2005 Takahashi et al.  
 2005/0109827 A1 5/2005 Martin  
 2005/0150785 A1 7/2005 Julius et al.  
 2005/0189367 A1 9/2005 Chasid et al.  
 2005/0208188 A1 9/2005 Garwood  
 2005/0276525 A1 12/2005 Hebert et al.  
 2006/0076352 A1 4/2006 Peterson et al.  
 2006/0283750 A1 12/2006 Villars et al.  
 2007/0151887 A1 7/2007 Clark et al.  
 2009/0039078 A1 2/2009 Sanfilippo et al.  
 2009/0120828 A1 5/2009 Sanfilippo et al.  
 2009/0152290 A1 6/2009 Wang et al.  
 2010/0113240 A1 5/2010 Takita et al.  
 2010/0140129 A1 6/2010 Sanfilippo et al.  
 2011/0297690 A1 12/2011 Teys et al.  
 2012/0125937 A1 5/2012 Ahlstrom et al.

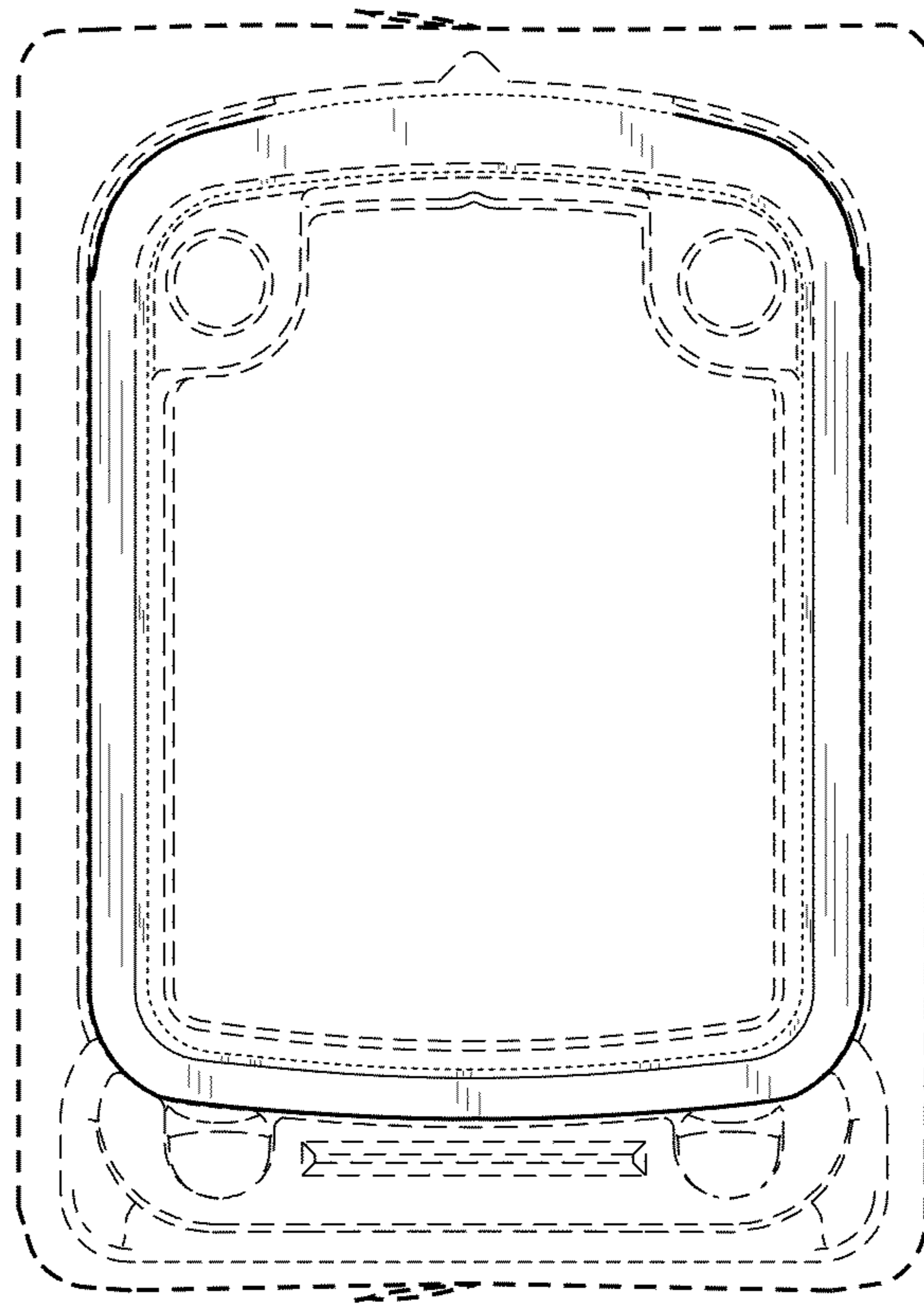
FOREIGN PATENT DOCUMENTS

FR 2766794 A1 2/1999  
 JP 10-203560 8/1998  
 WO WO-86/06344 A1 11/1986  
 WO WO-00/12407 A1 3/2000  
 WO WO-02/085726 A1 10/2002  
 WO WO-2004110885 A1 12/2004

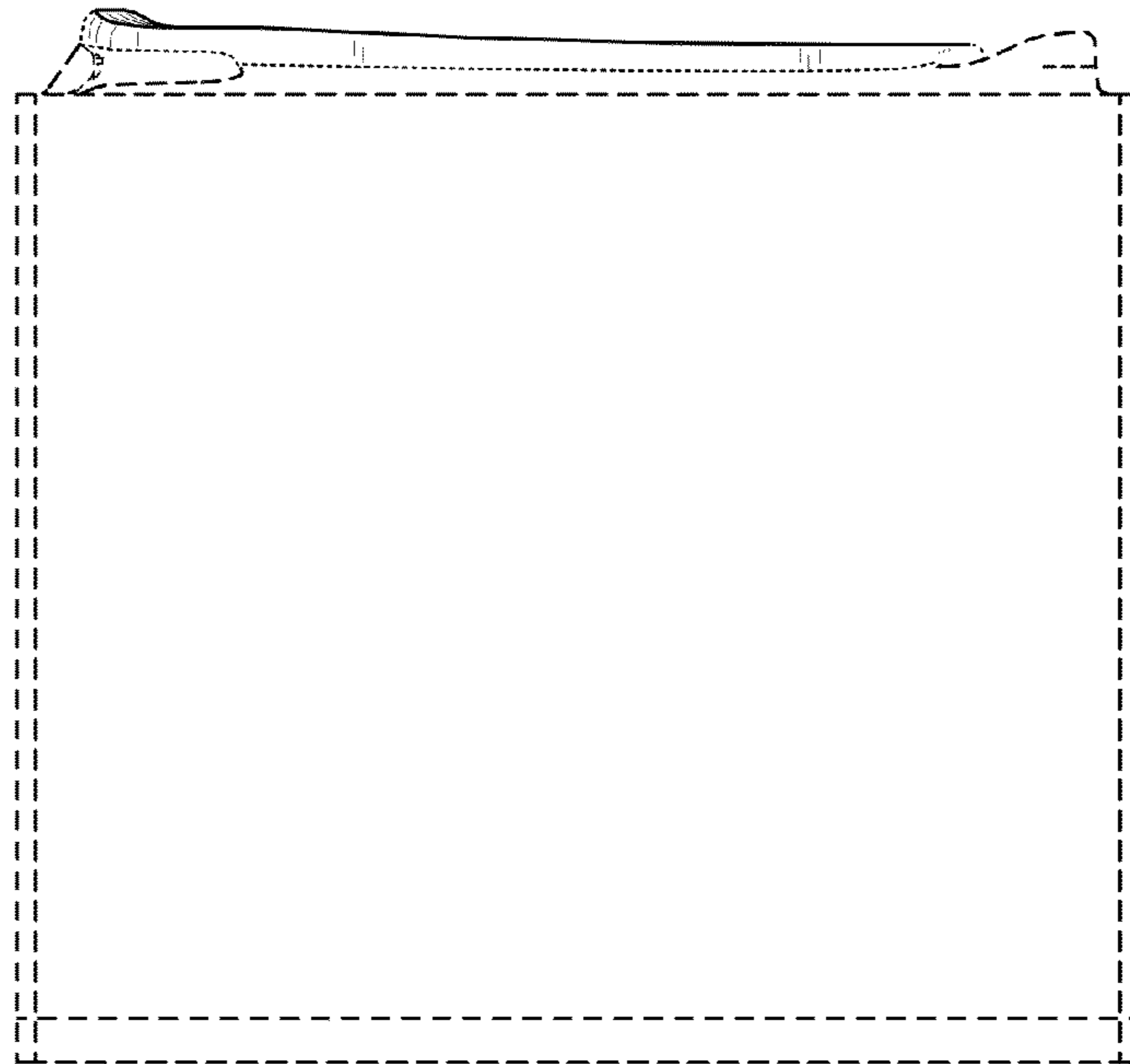
\* cited by examiner



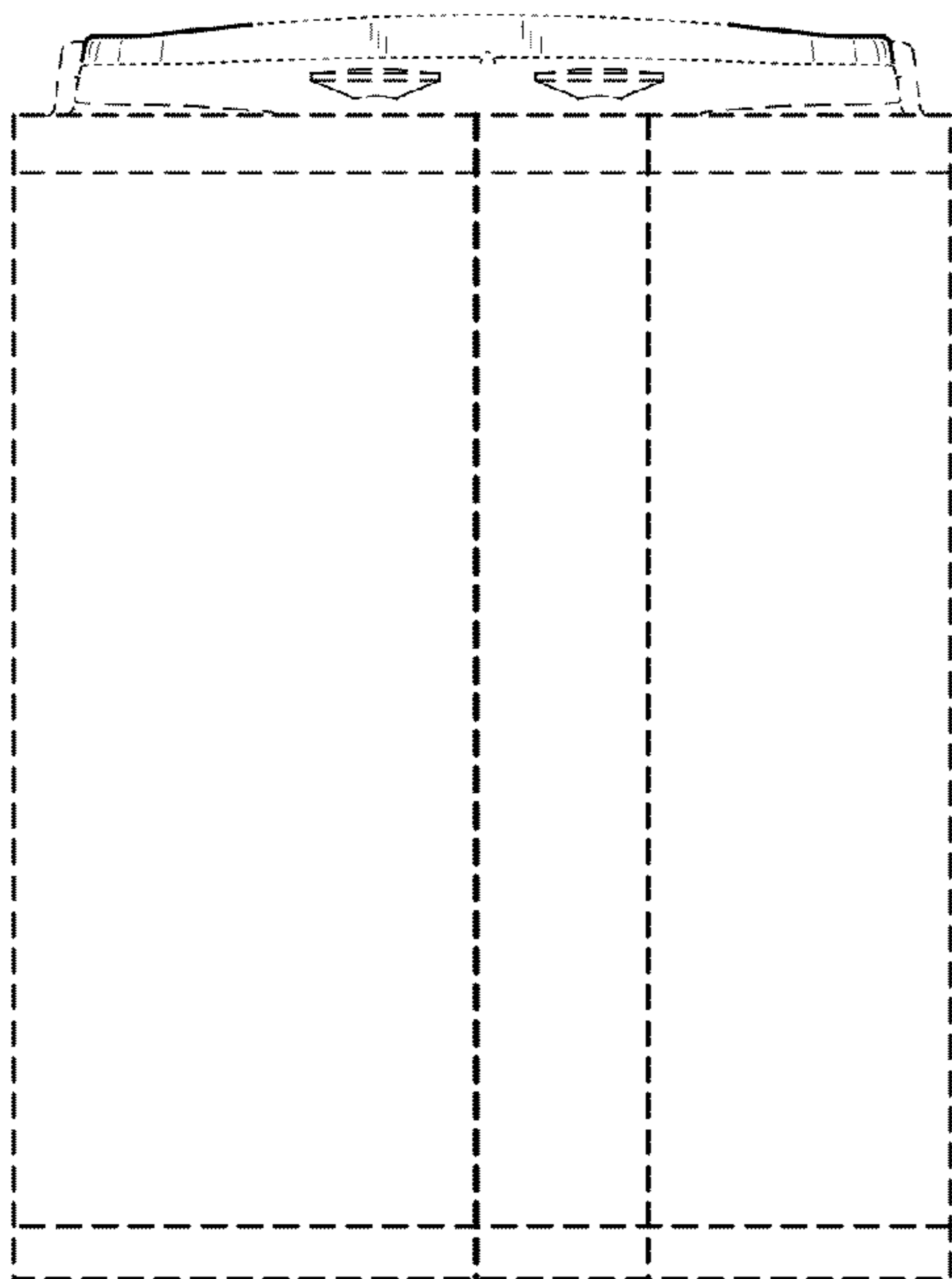
**FIG. 1**



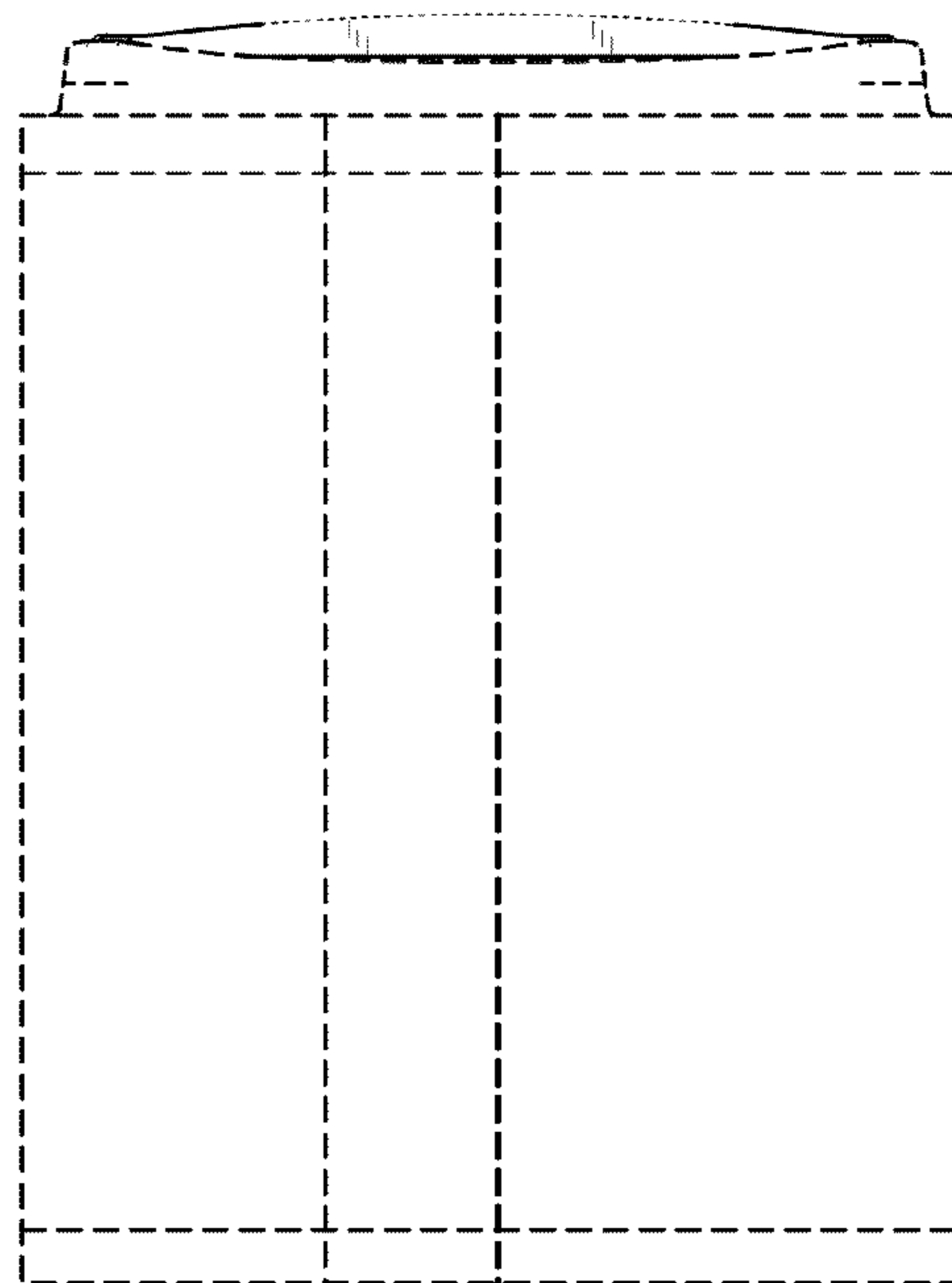
**FIG. 2**



**FIG. 3**



**FIG. 4**



**FIG. 5**