



US00D715641S

(12) **United States Design Patent**  
**Spinos**

(10) **Patent No.:** **US D715,641 S**

(45) **Date of Patent:** **\*\* Oct. 21, 2014**

(54) **FOOD PROCESSING CONTAINMENT TRAY**

(71) Applicant: **Frank Thomas Spinos**, Carlsbad, CA  
(US)

(72) Inventor: **Frank Thomas Spinos**, Carlsbad, CA  
(US)

(\*\*) Term: **14 Years**

(21) Appl. No.: **29/436,937**

(22) Filed: **Nov. 9, 2012**

(51) **LOC (10) Cl.** ..... **09-03**

(52) **U.S. Cl.**  
USPC ..... **D9/432**

(58) **Field of Classification Search**

CPC ..... B65D 5/18; B65D 20/24; B65D 20/30;  
B65D 20/42; B65D 20/46; B65D 20/70;  
B65D 20/74; B65D 71/12; B65D 71/40;  
B65D 71/46; B65D 25/00; B65D 85/00  
USPC ..... D9/415-419, 420-425, 428, 429-435,  
D9/708, 719, 734; D3/203.2, 272, 273,  
D3/294, 302-304; D7/538-542, 601, 602,  
D7/629

See application file for complete search history.

(56) **References Cited**

**U.S. PATENT DOCUMENTS**

2,727,619 A \* 12/1955 Paige ..... 206/765  
D244,430 S \* 5/1977 Larkin ..... D9/432  
D251,360 S \* 3/1979 Collin ..... D9/432  
D406,478 S \* 3/1999 Rahman ..... D6/475  
6,409,077 B1 \* 6/2002 Telesca et al. .... 229/164  
D542,647 S \* 5/2007 Walter ..... D9/414  
D571,198 S \* 6/2008 Lee et al. .... D9/432

D575,149 S \* 8/2008 Baranowski ..... D9/432  
D617,185 S \* 6/2010 Wager ..... D9/431  
D629,684 S \* 12/2010 Drury ..... D9/433  
D666,903 S \* 9/2012 McIntosh et al. .... D9/418  
D678,052 S \* 3/2013 Bakker et al. .... D9/433  
D700,070 S \* 2/2014 Markovic ..... D9/736  
2006/0124710 A1 \* 6/2006 Sun ..... 229/112

\* cited by examiner

*Primary Examiner* — Susan Bennett Hattan

*Assistant Examiner* — Vy Koenig

(74) *Attorney, Agent, or Firm* — Procopio, Cory, Hargreaves  
& Savitch, LLP

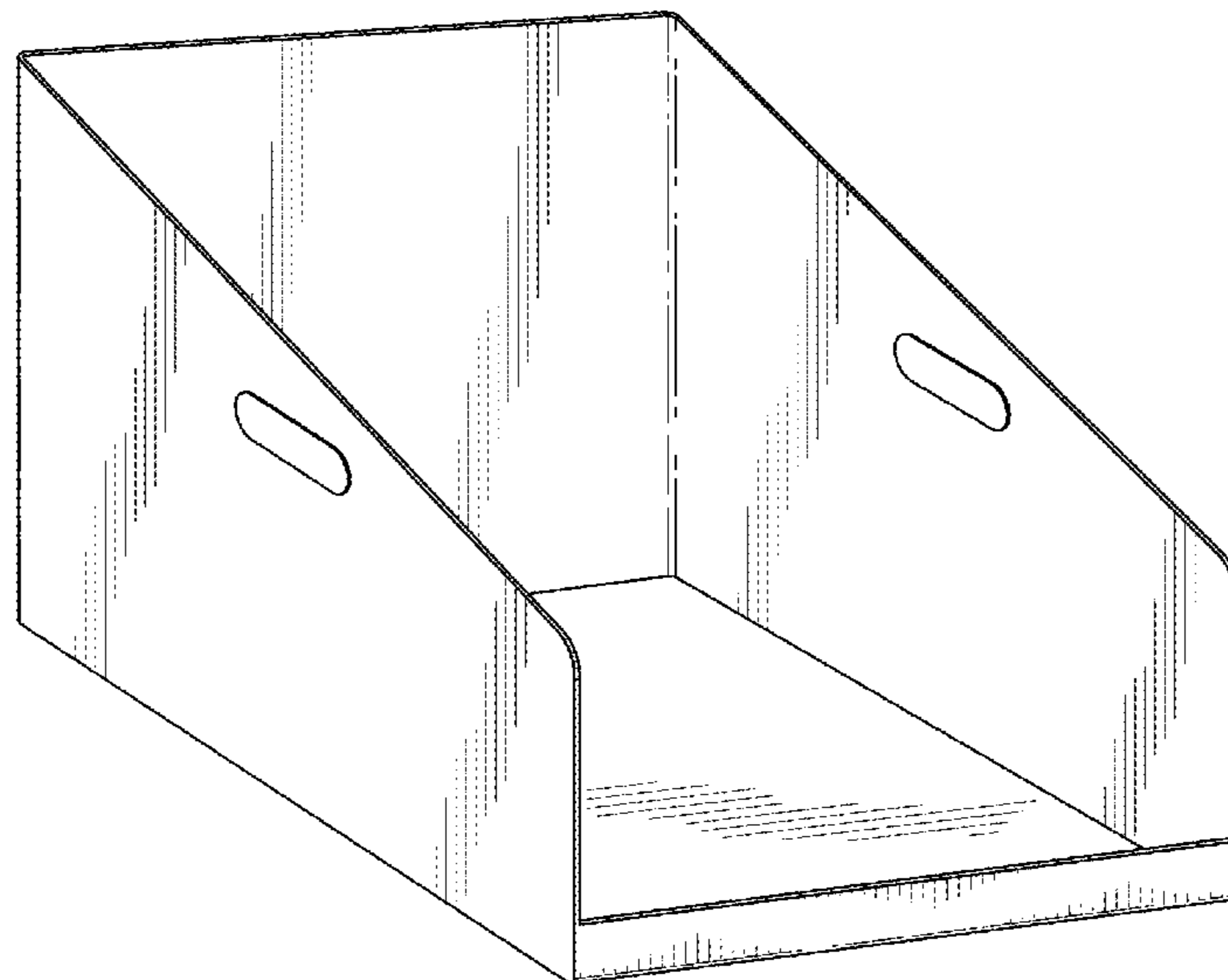
(57) **CLAIM**

The ornamental design for a food processing containment tray, as shown.

**DESCRIPTION**

FIG. 1 is a front perspective view of the food processing containment tray showing my new design;  
FIG. 2 is a left side view of the food processing containment tray as shown in FIG. 1;  
FIG. 3 is a right side view of the food processing containment tray as shown in FIG. 1;  
FIG. 4 is a top view of the food processing containment tray as shown in FIG. 1;  
FIG. 5 is a bottom view of the food processing containment tray as shown in FIG. 1;  
FIG. 6 is a front view of the food processing containment tray as shown in FIG. 1; and,  
FIG. 7 is a rear view of the food processing containment tray as shown in FIG. 1.

**1 Claim, 4 Drawing Sheets**



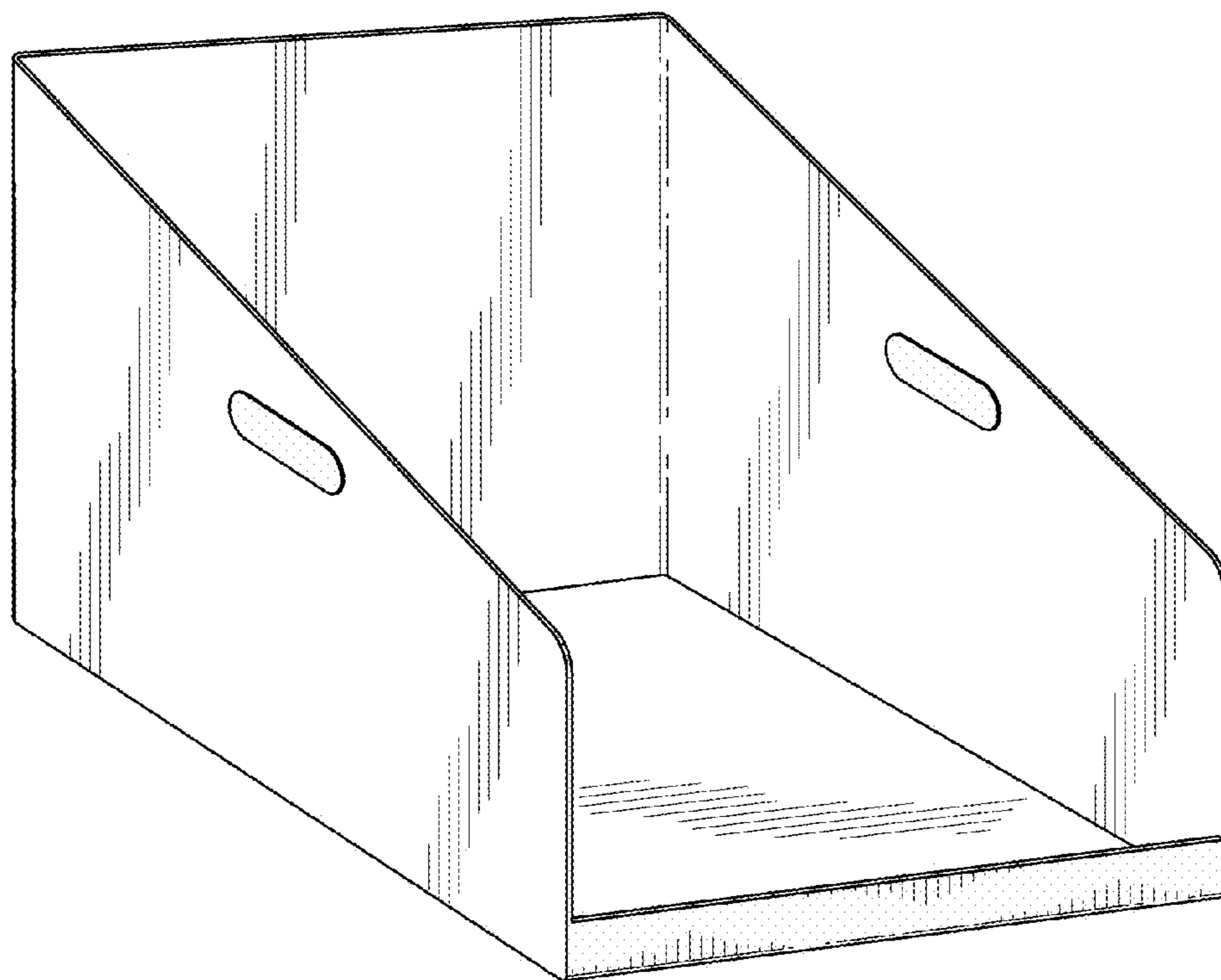


FIG. 1

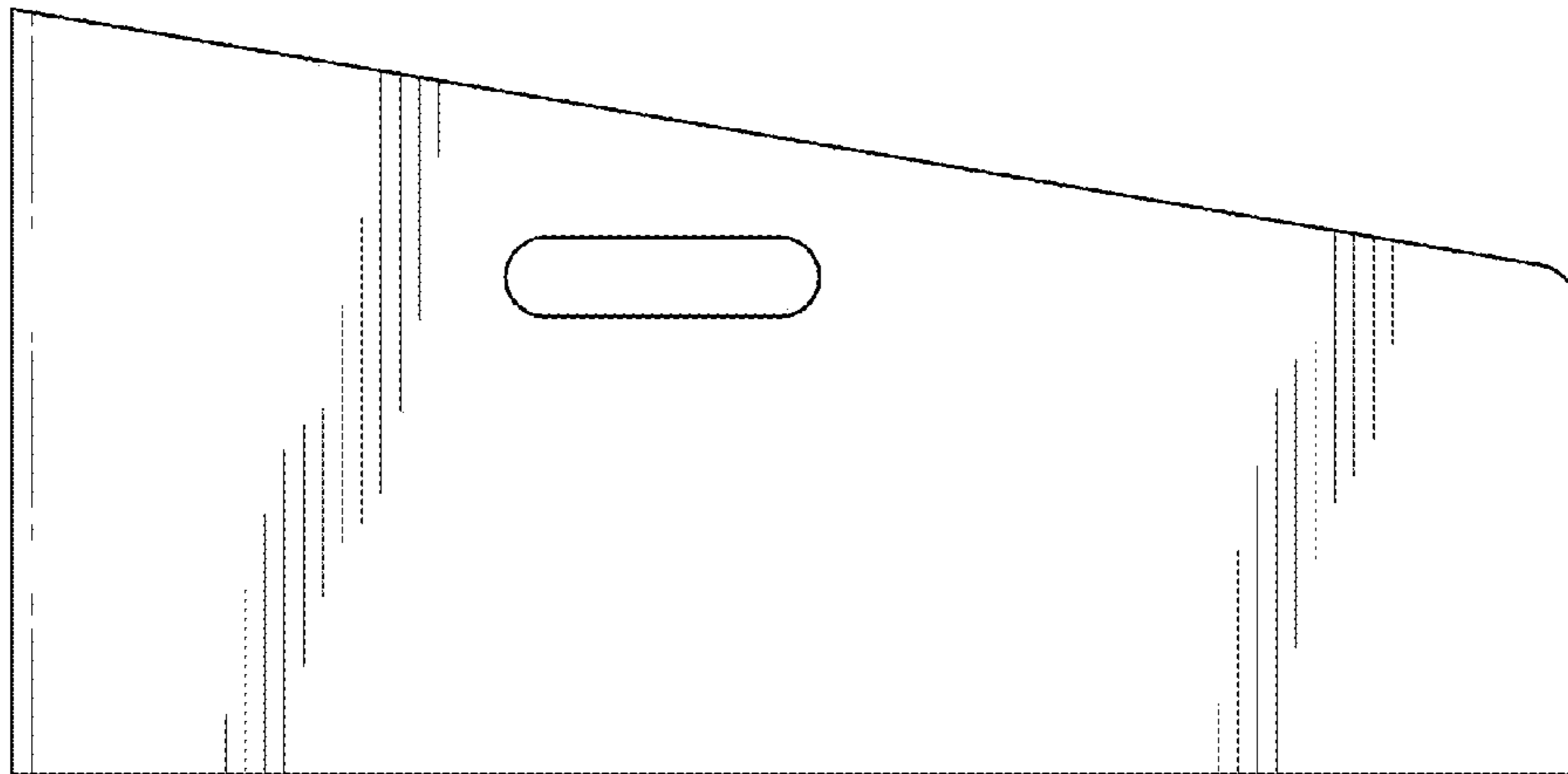


FIG. 2

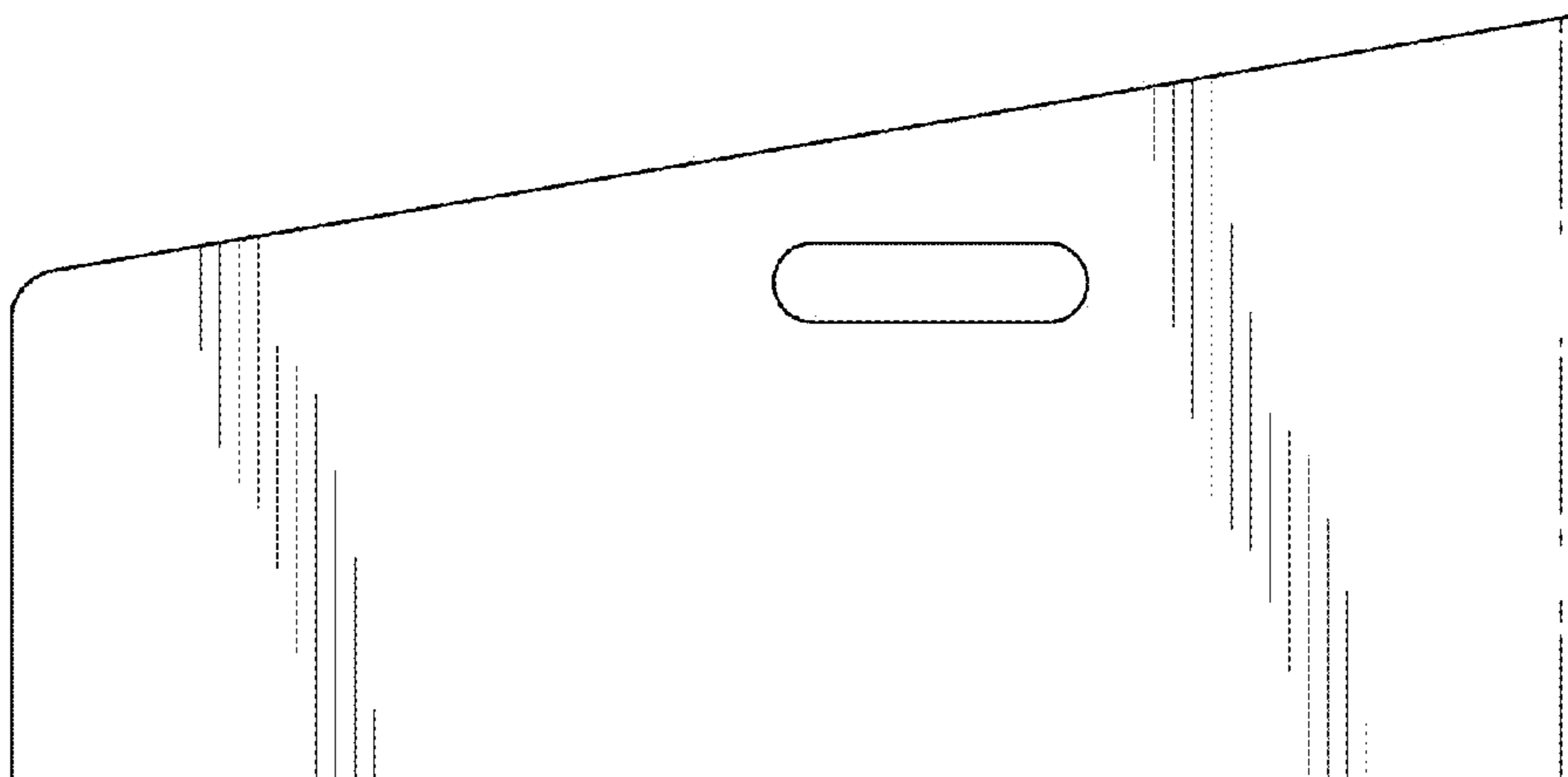


FIG. 3

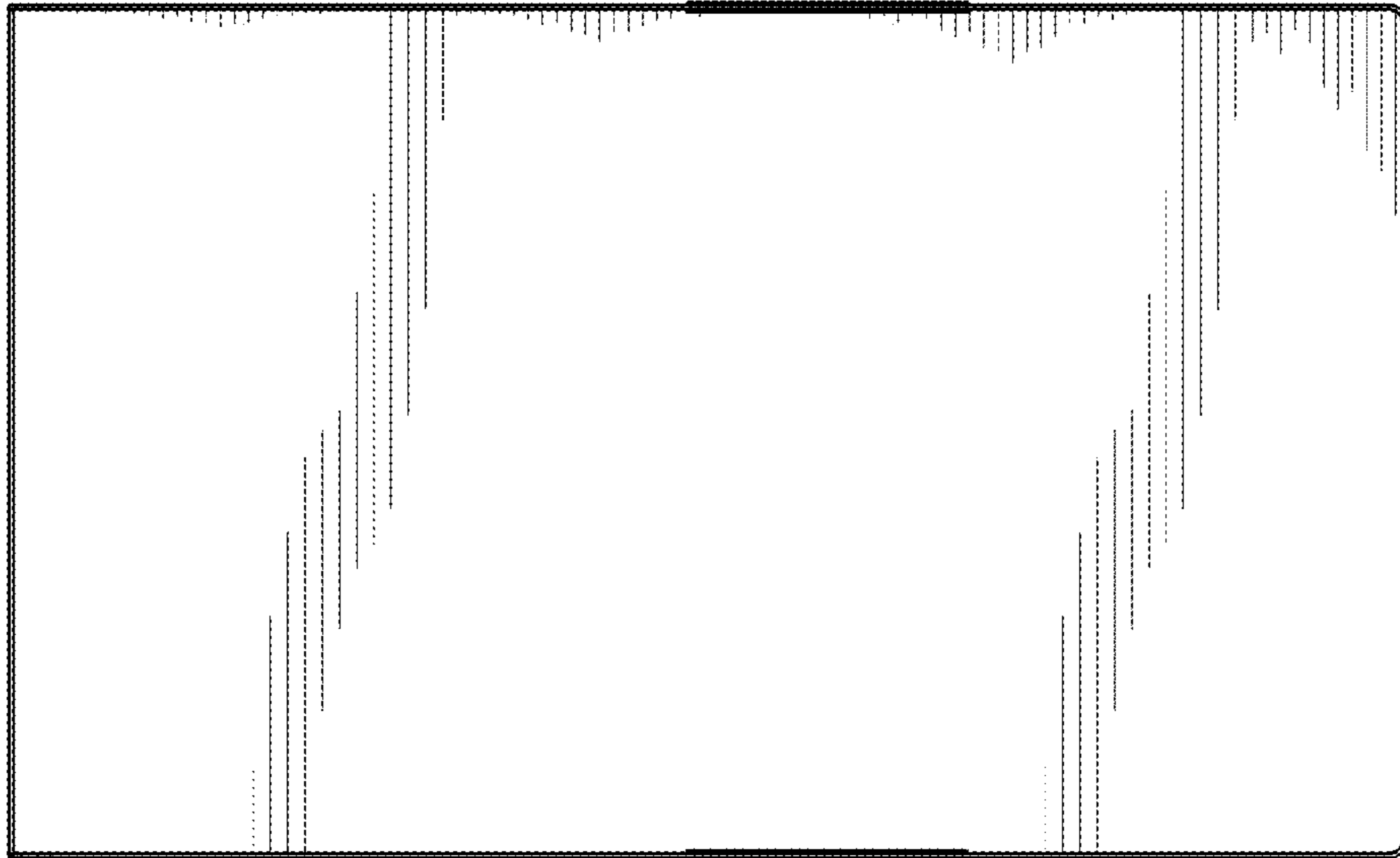


FIG. 4

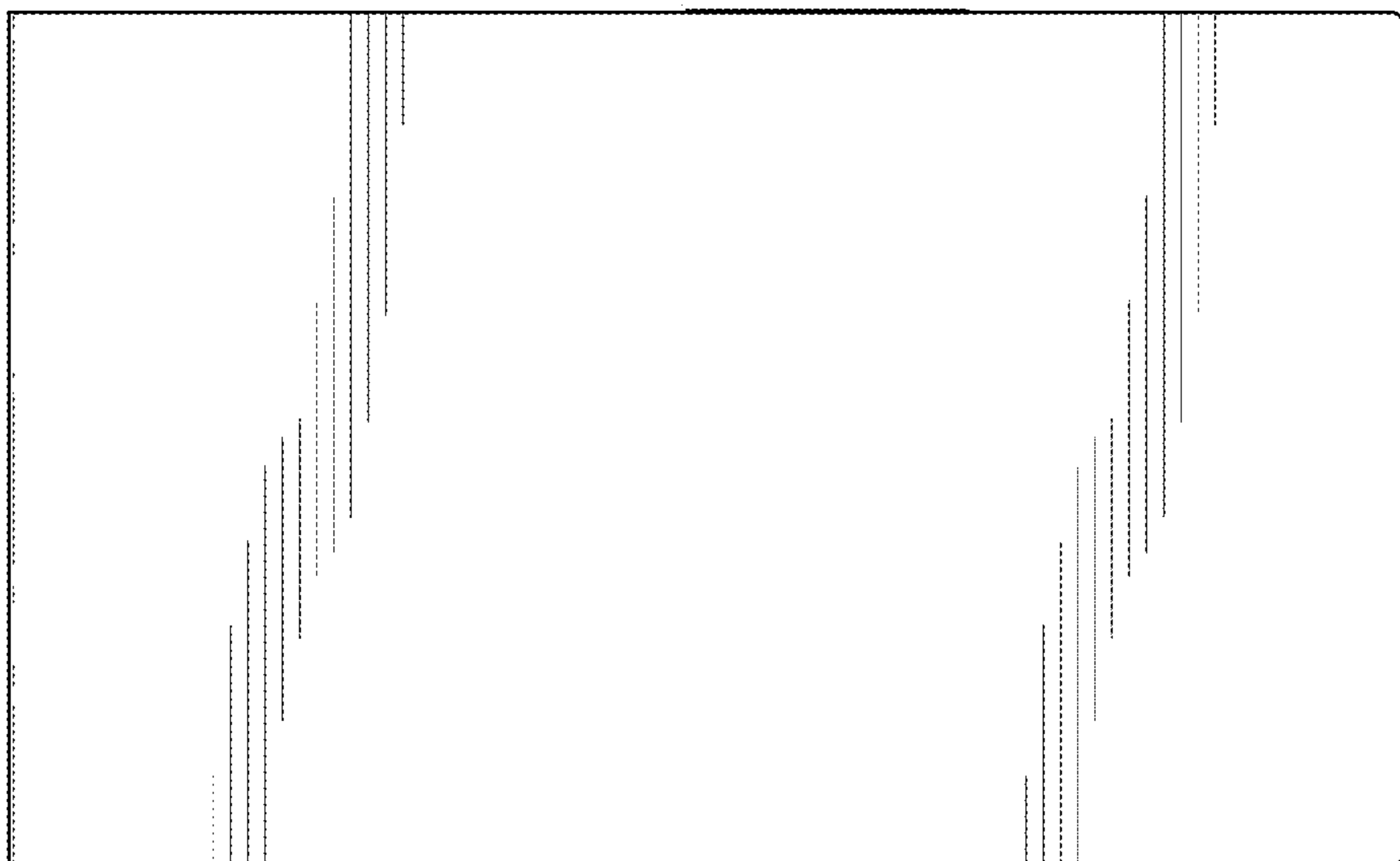


FIG. 5

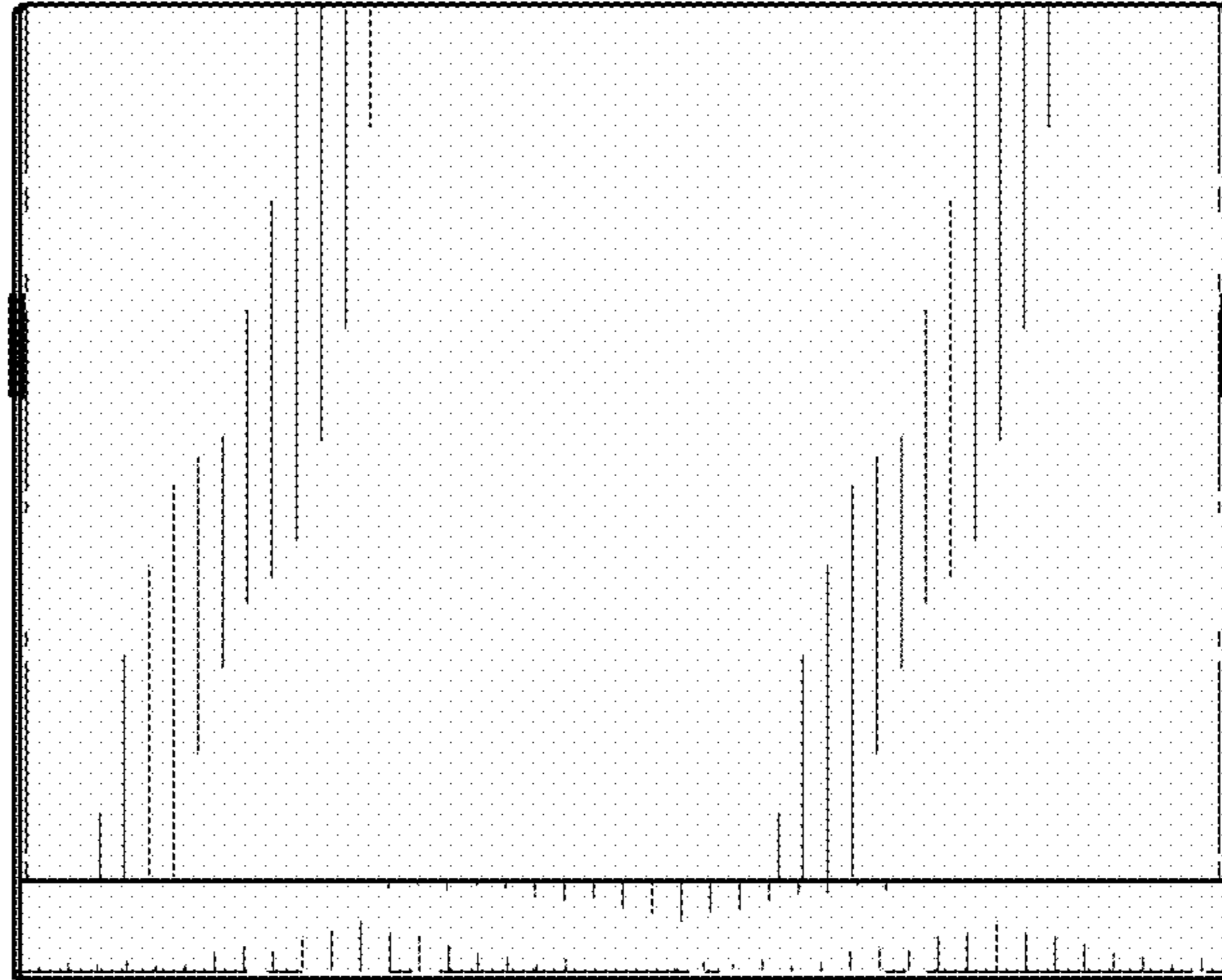


FIG. 6

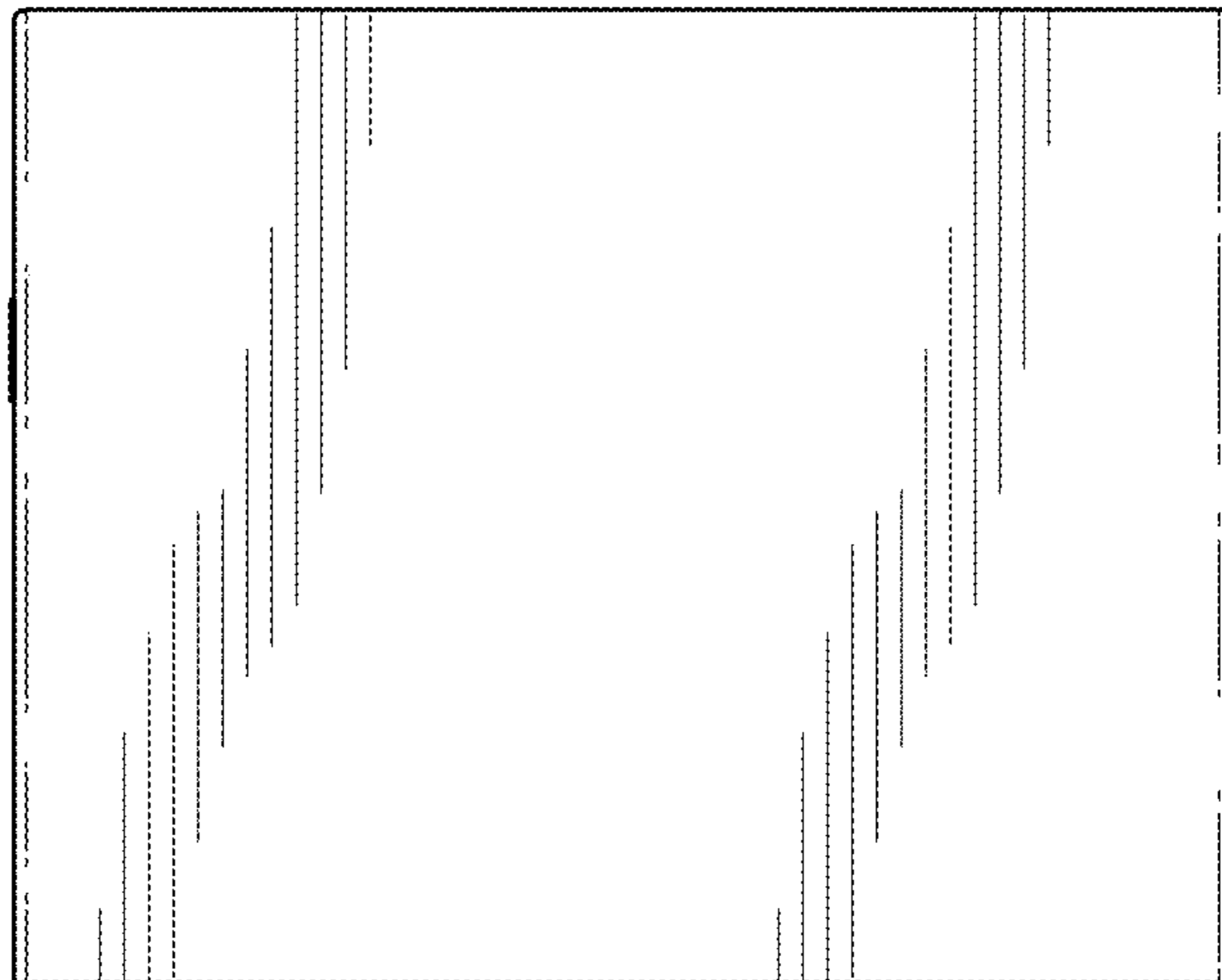


FIG. 7