



US00D715636S

(12) **United States Design Patent**  
**Cira**

(10) **Patent No.:** **US D715,636 S**

(45) **Date of Patent:** **\*\* Oct. 21, 2014**

(54) **BRUSH HEAD PACKAGING**

(71) Applicant: **Brushpoint Innovations Inc**, King City (CA)

(72) Inventor: **Paul Cira**, King City (CA)

(73) Assignee: **Brushpoint Innovations Inc**, King City, Ontario (CA)

(\*\*) Term: **14 Years**

(21) Appl. No.: **29/476,000**

(22) Filed: **Dec. 10, 2013**

(51) **LOC (10) Cl.** ..... **09-03**

(52) **U.S. Cl.**  
USPC ..... **D9/415**

(58) **Field of Classification Search**

USPC ..... D9/414, 415, 438, 440, 445, 418, 433,  
D9/722, 457, 456, 499, 703, 707, 702, 424,  
D9/425, 756; 206/461, 463, 464, 768, 476,  
206/489, 807, 804, 806, 466, 465, 769, 776,  
206/779, 362.1, 471; 383/101, 107, 108,  
383/109

See application file for complete search history.

(56) **References Cited**

**U.S. PATENT DOCUMENTS**

D290,584 S \* 6/1987 Lotterer ..... D9/732  
D294,123 S \* 2/1988 Hill ..... D9/415

D294,459 S \* 3/1988 Wendel ..... D9/732  
D306,404 S \* 3/1990 Hill ..... D9/415  
D345,909 S \* 4/1994 Winston ..... D9/415  
D365,984 S \* 1/1996 Hofmann ..... D9/415  
6,726,011 B2 \* 4/2004 Sarkar et al. .... 206/362.1  
D593,853 S \* 6/2009 Sorrentino et al. .... D9/415  
8,245,844 B2 \* 8/2012 Sorrentino et al. .... 206/362.1  
D694,101 S \* 11/2013 Radomyselski et al. .... D9/420

\* cited by examiner

*Primary Examiner* — Ian Simmons

*Assistant Examiner* — Rhea Shields

(74) *Attorney, Agent, or Firm* — Sand & Sebolt

(57) **CLAIM**

The ornamental design for a brush head packaging, as shown and described.

**DESCRIPTION**

FIG. 1 is a front view of the brush head packaging system of the present invention.

FIG. 2 is a bottom elevation view of the present invention.

FIG. 3 is a top elevation of the present invention.

FIG. 4 is a rear view of the present invention.

FIG. 5 is a right side elevation view of the present invention.

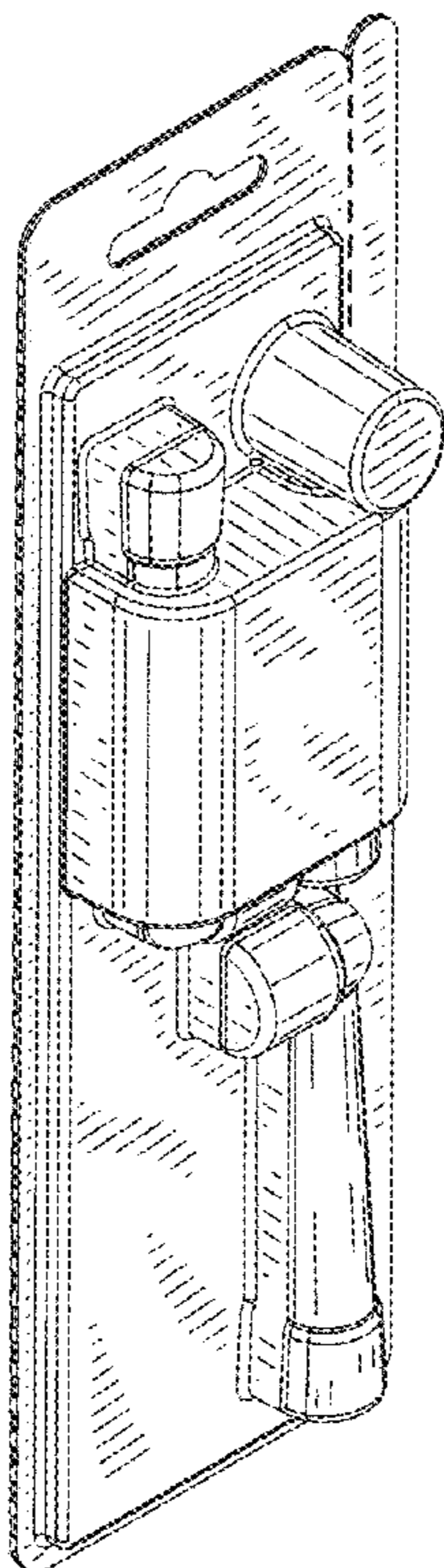
FIG. 6 is a left side elevation view of the present invention.

FIG. 7 is a front perspective view of the present invention; and,

FIG. 8 is a rear perspective view of the present invention.

The broken lines illustrate portions of the brush head packaging which form no part of the claimed design.

**1 Claim, 6 Drawing Sheets**



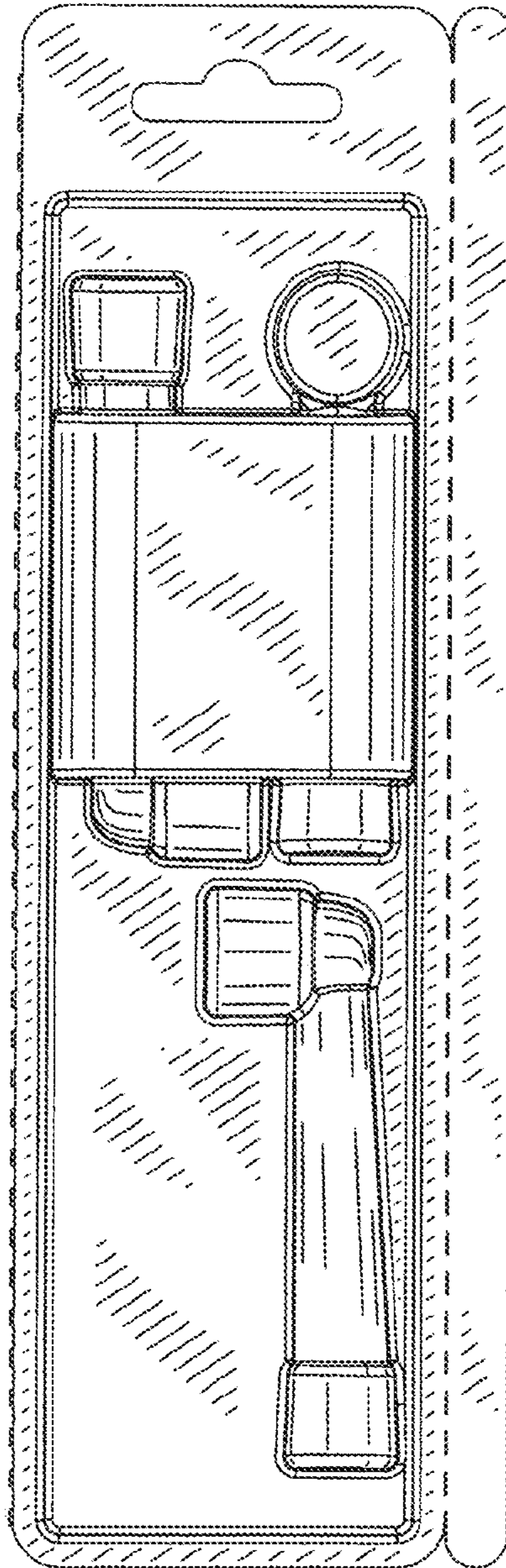


FIG. 1

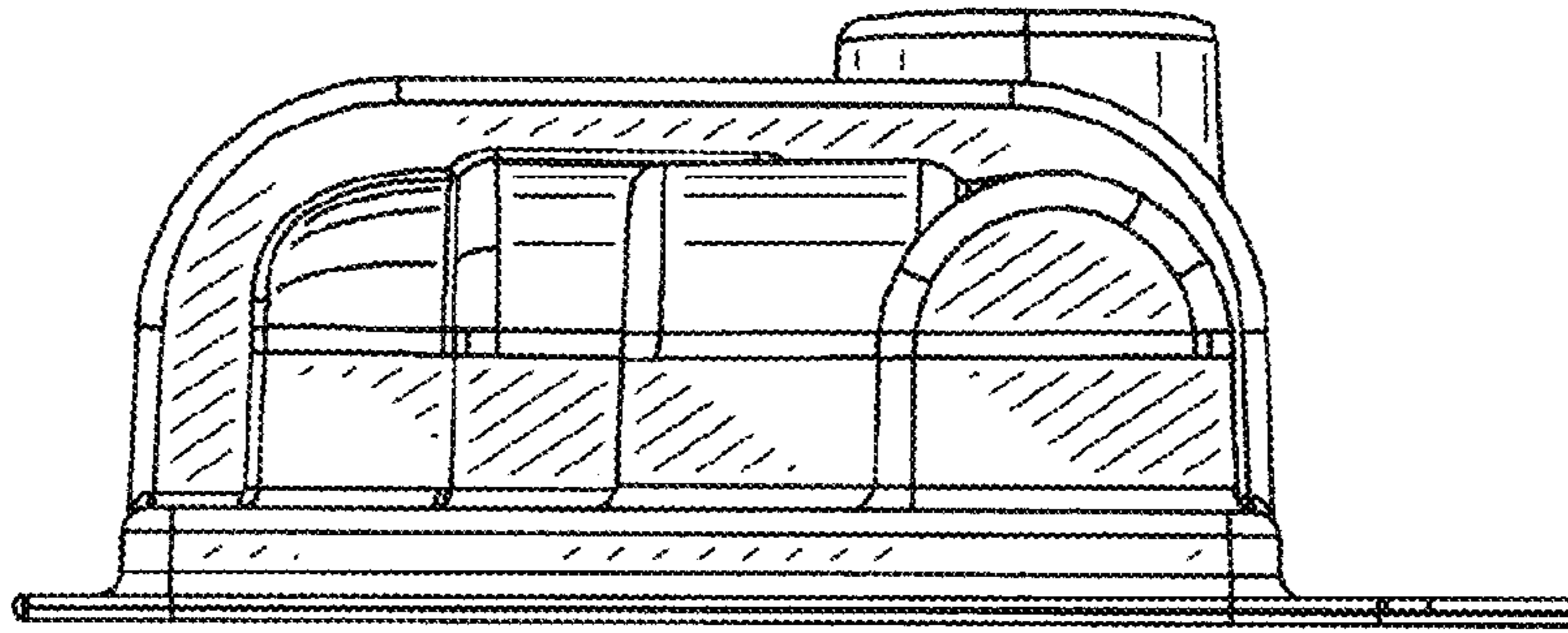


FIG. 2

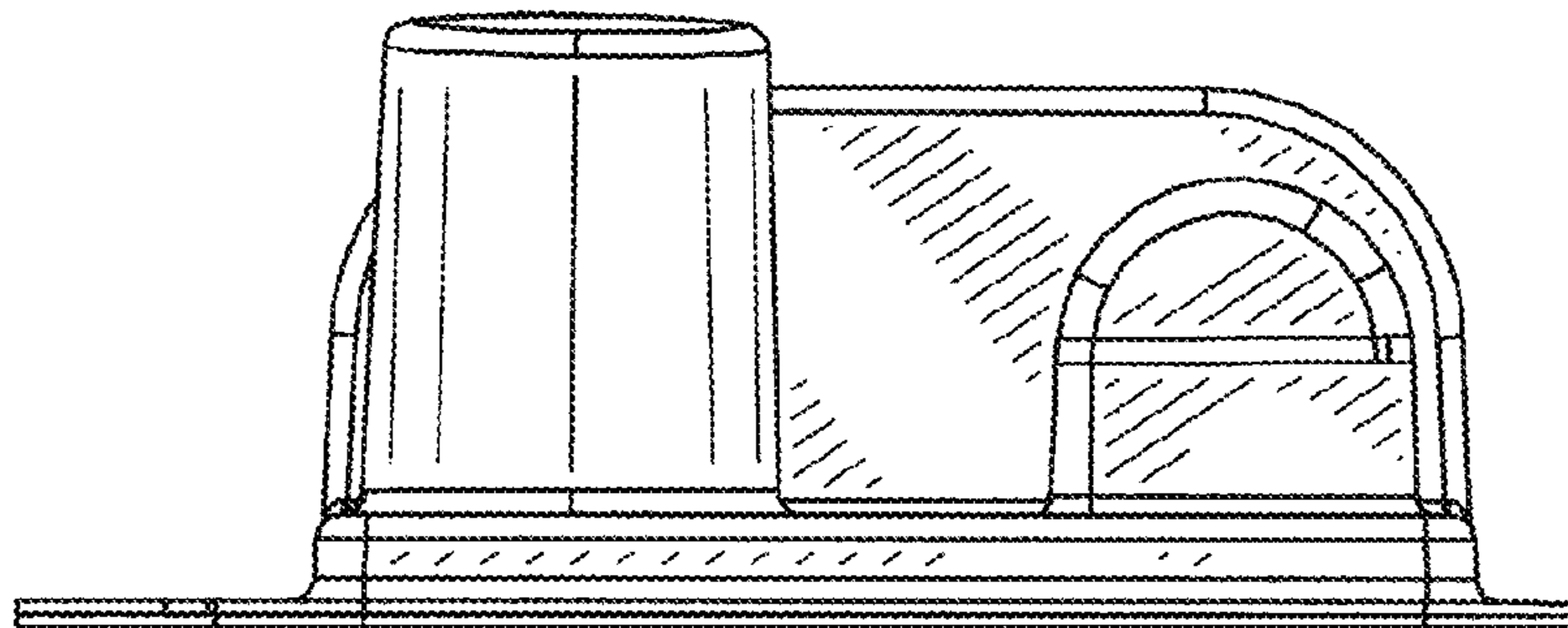


FIG. 3

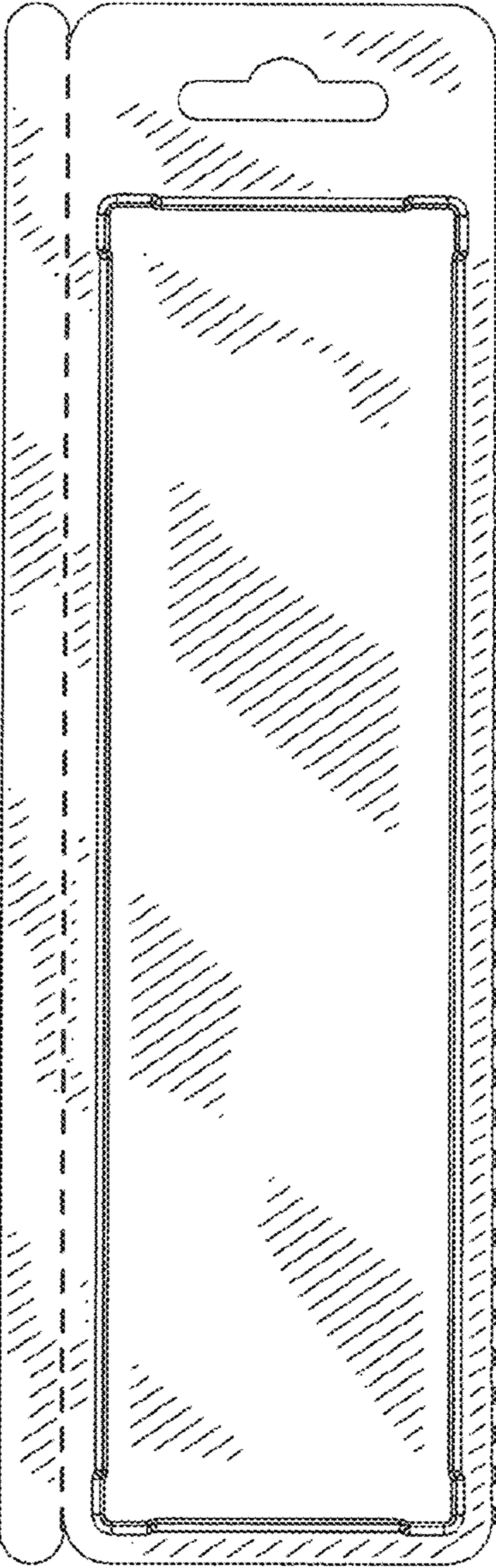


FIG. 4

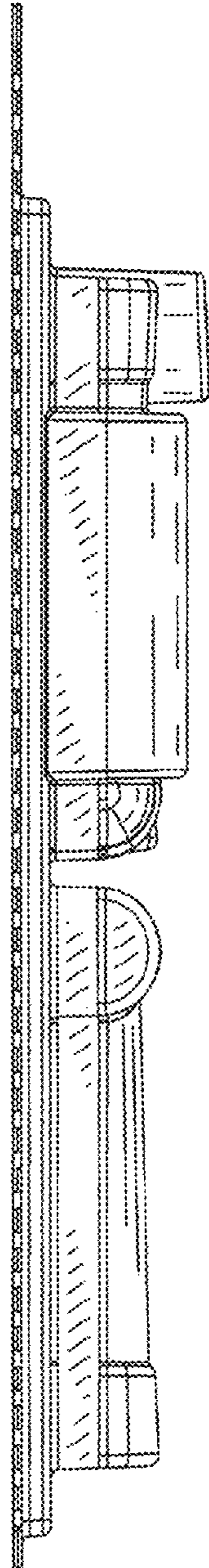


FIG. 5

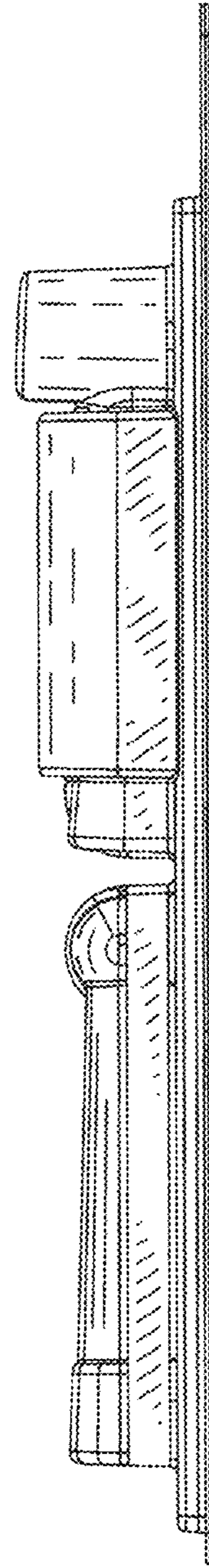


FIG. 6

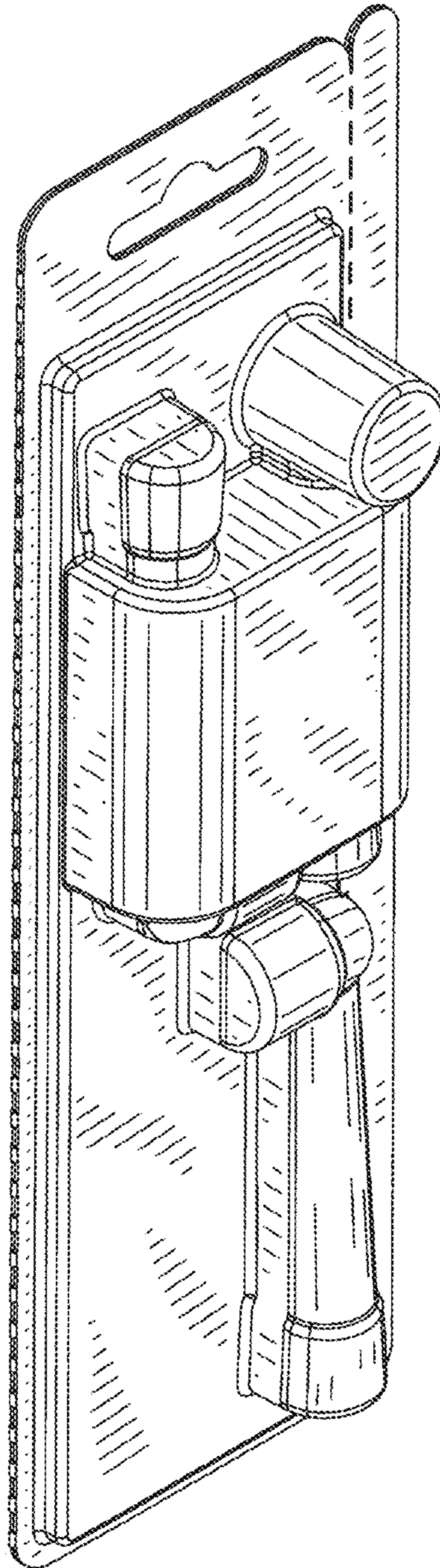


FIG. 7

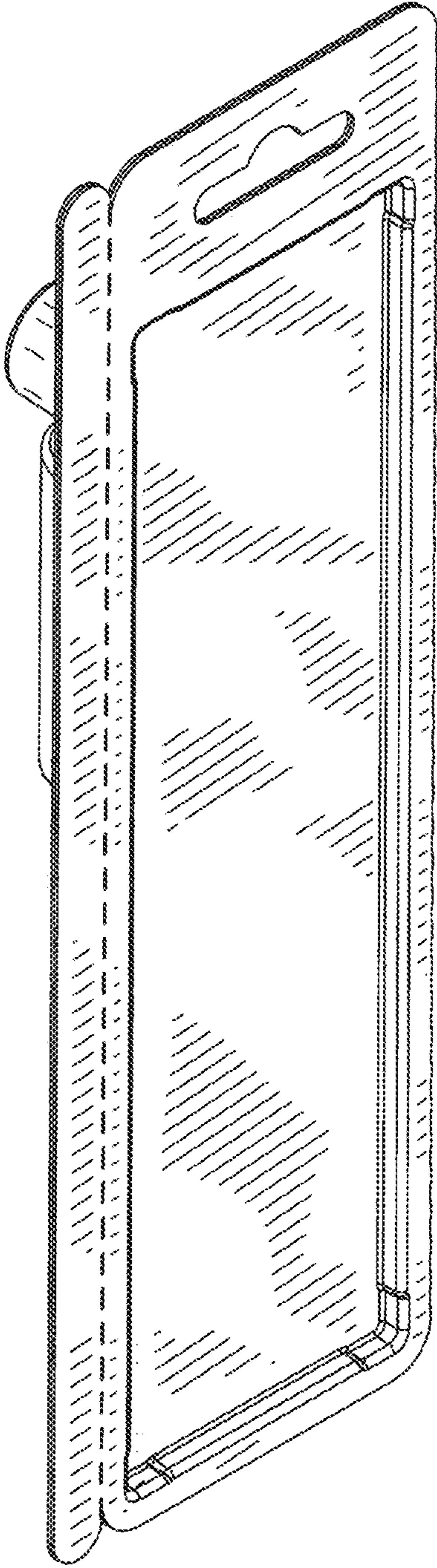


FIG. 8