



US00D715629S

(12) **United States Design Patent**  
**Grubb et al.**

(10) **Patent No.:** **US D715,629 S**

(45) **Date of Patent:** **\*\* Oct. 21, 2014**

(54) **SCREEN HOUSING**

(71) Applicants: **Darryl Grubb**, Jacksonville, FL (US);  
**Carl Jonas Peter Schonning**,  
Jacksonville, FL (US)

(72) Inventors: **Darryl Grubb**, Jacksonville, FL (US);  
**Carl Jonas Peter Schonning**,  
Jacksonville, FL (US)

(\*\*) Term: **14 Years**

(21) Appl. No.: **29/450,496**

(22) Filed: **Mar. 18, 2013**

(51) **LOC (10) Cl.** ..... **08-05**

(52) **U.S. Cl.**  
USPC ..... **D8/377**

(58) **Field of Classification Search**  
CPC ..... Y10S 160/11  
USPC ..... D8/363, 377; 160/23.1, 26, 31, 33, 98,  
160/120

See application file for complete search history.

(56) **References Cited**

U.S. PATENT DOCUMENTS

4,649,980 A *	3/1987	Kunz .....	160/98
D355,353 S *	2/1995	Pozzi .....	D8/377
5,647,421 A *	7/1997	Hoffmann et al. ....	160/120
6,111,694 A *	8/2000	Shopp .....	359/461

\* cited by examiner

*Primary Examiner* — Doris Clark

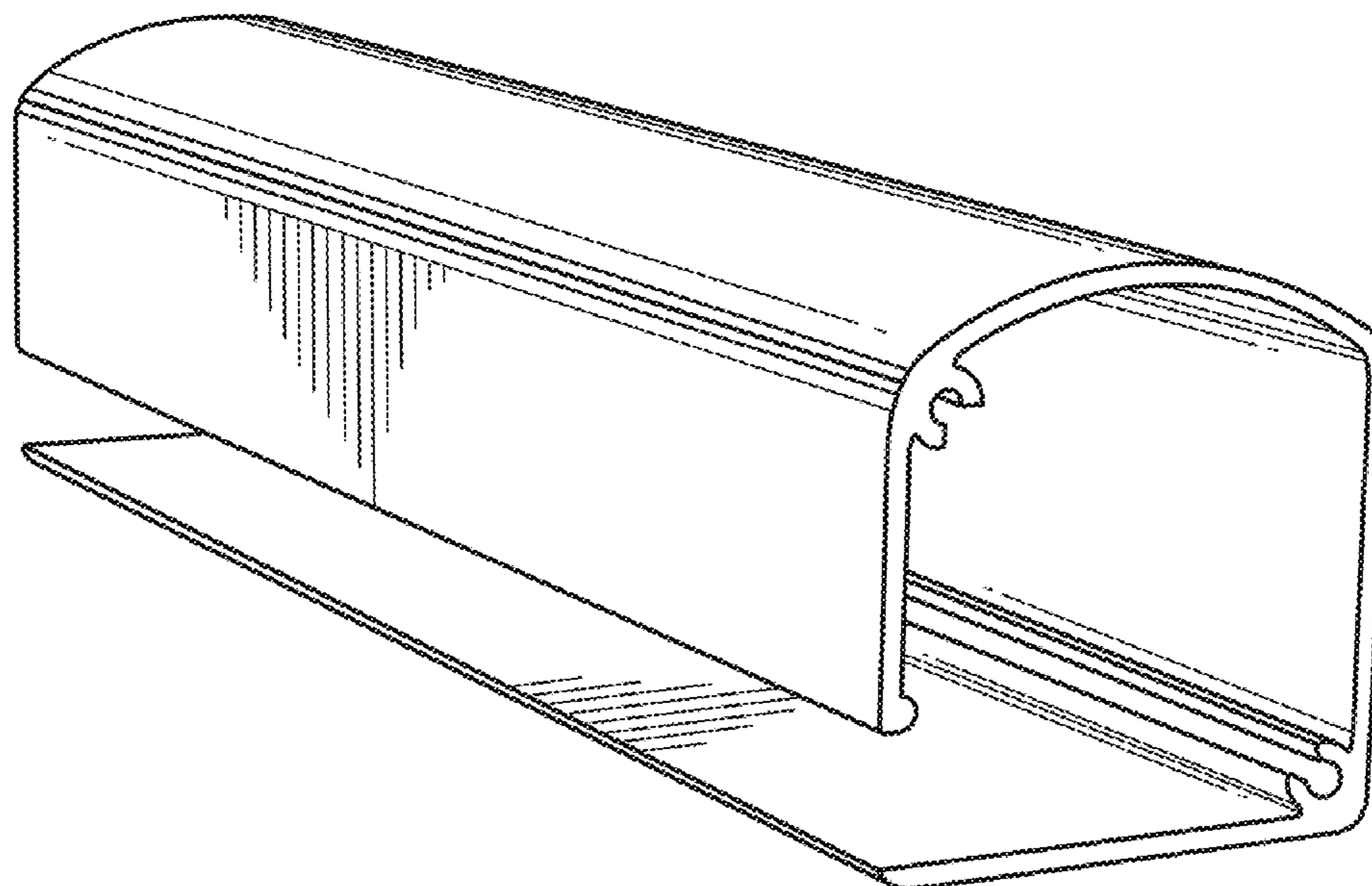
(57) **CLAIM**

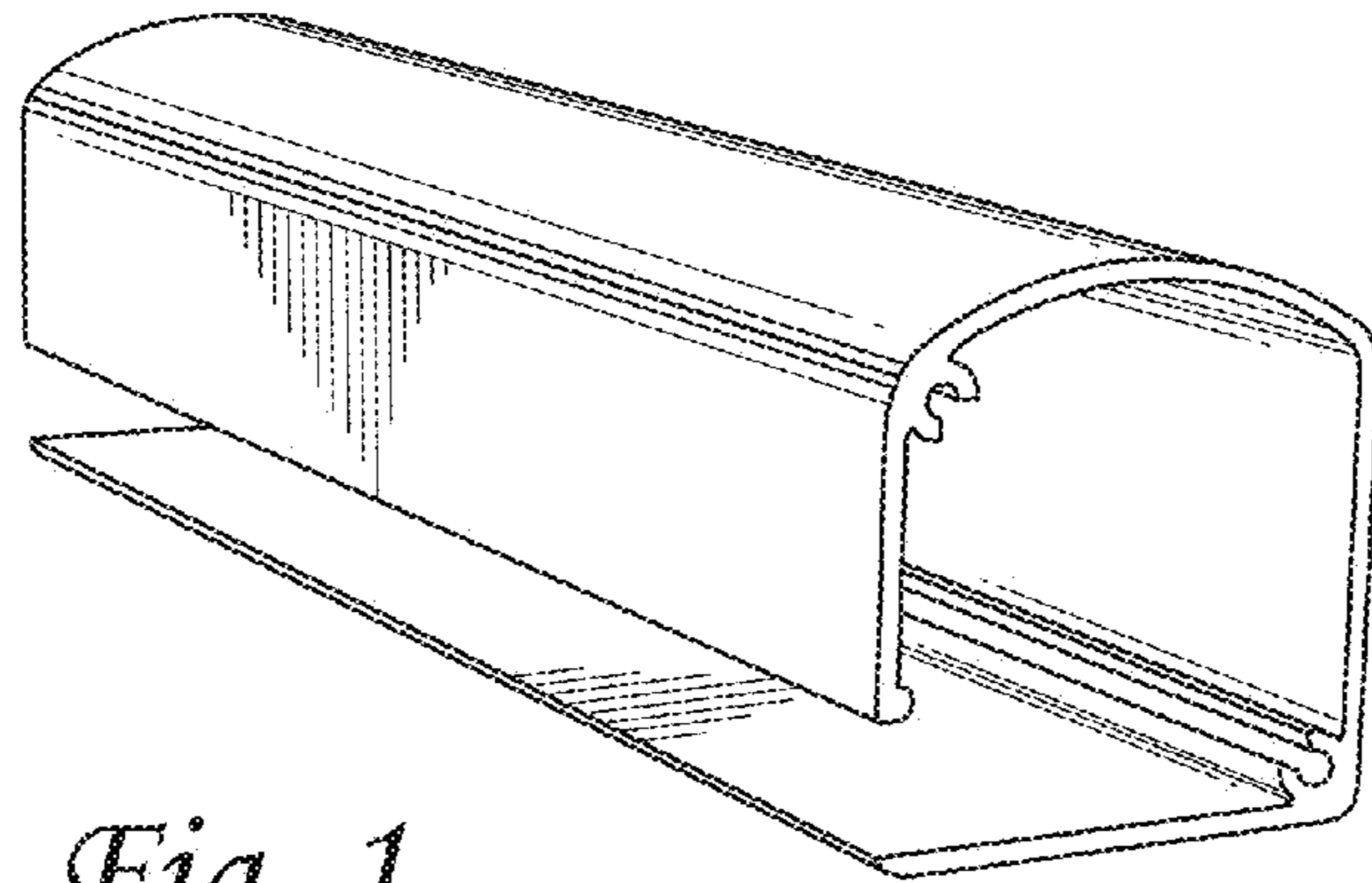
The ornamental design for a screen housing, as shown and described.

**DESCRIPTION**

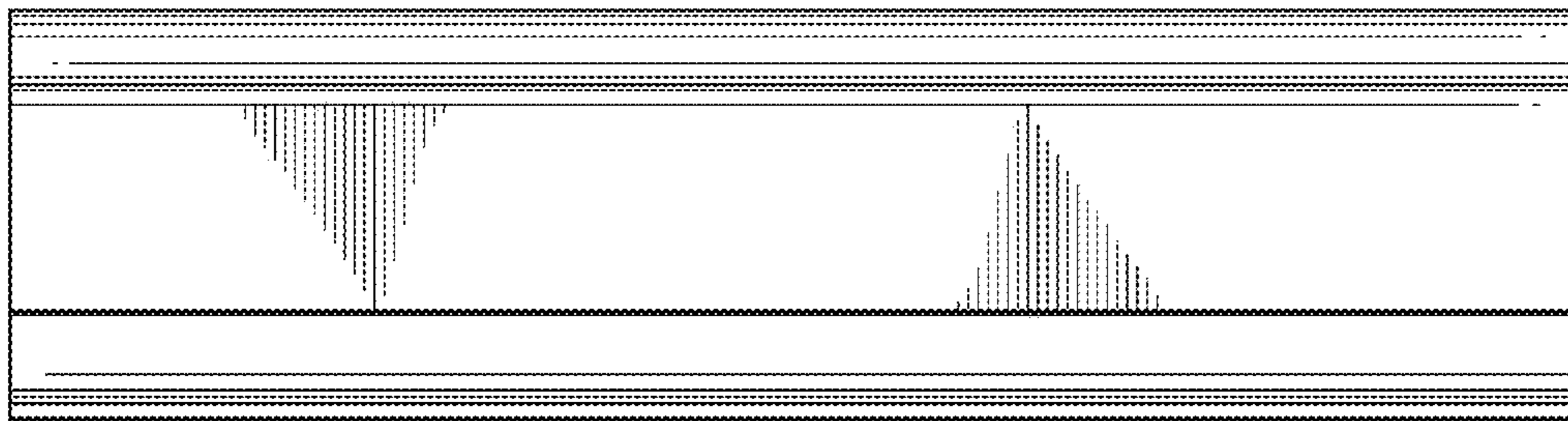
FIG. 1 is a perspective view of a screen housing showing our new design;  
FIG. 2 is a left side elevational view thereof;  
FIG. 3 is a right side elevational view thereof;  
FIG. 4 is a top plan view thereof;  
FIG. 5 is a bottom plan view thereof;  
FIG. 6 is a front elevational view thereof; and,  
FIG. 7 is a rear elevational view thereof.

**1 Claim, 2 Drawing Sheets**

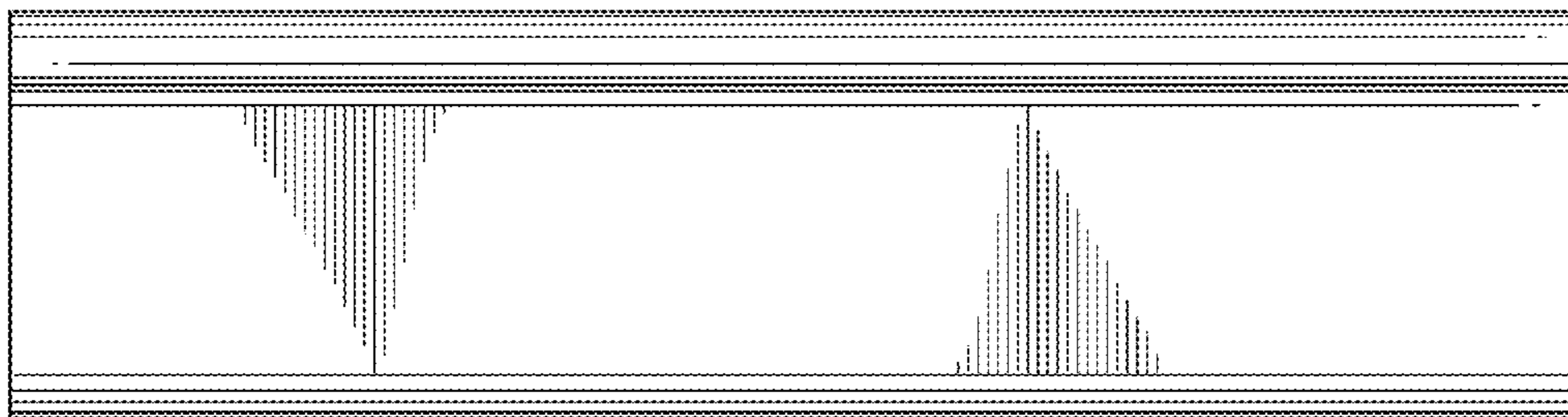




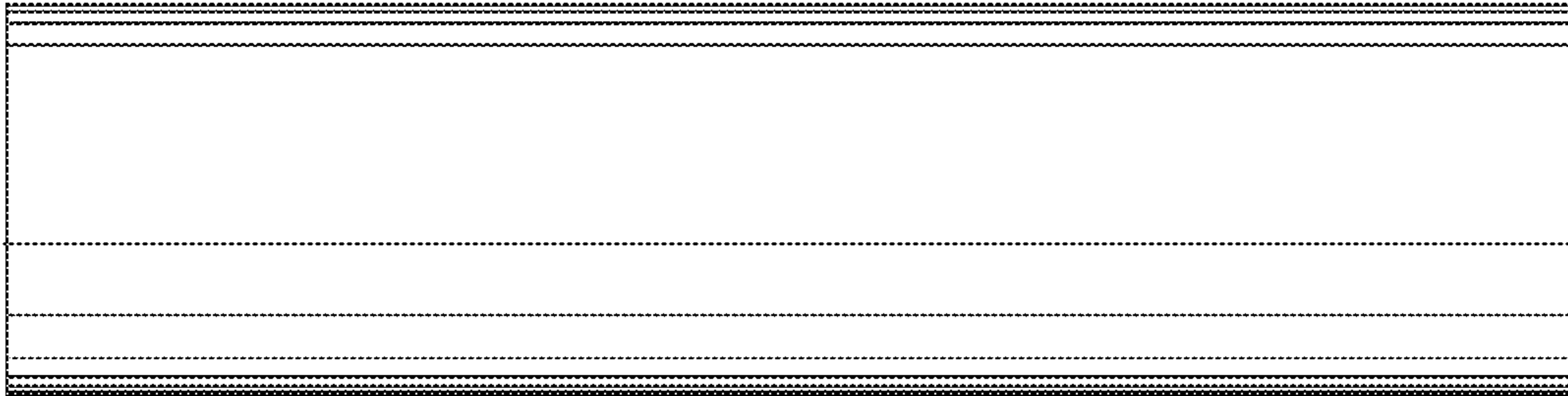
*Fig. 1*



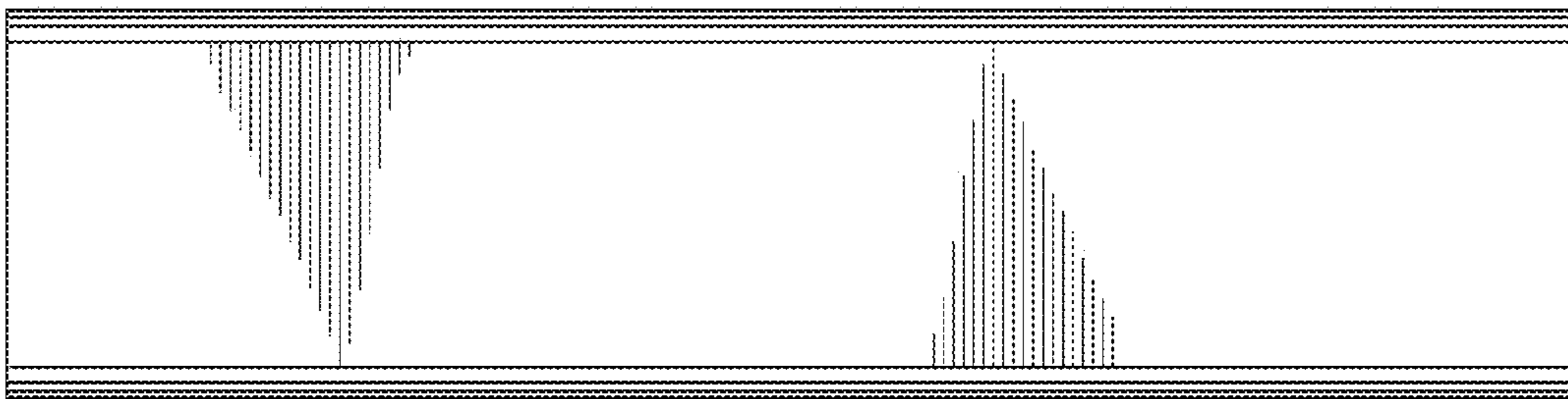
*Fig. 2*



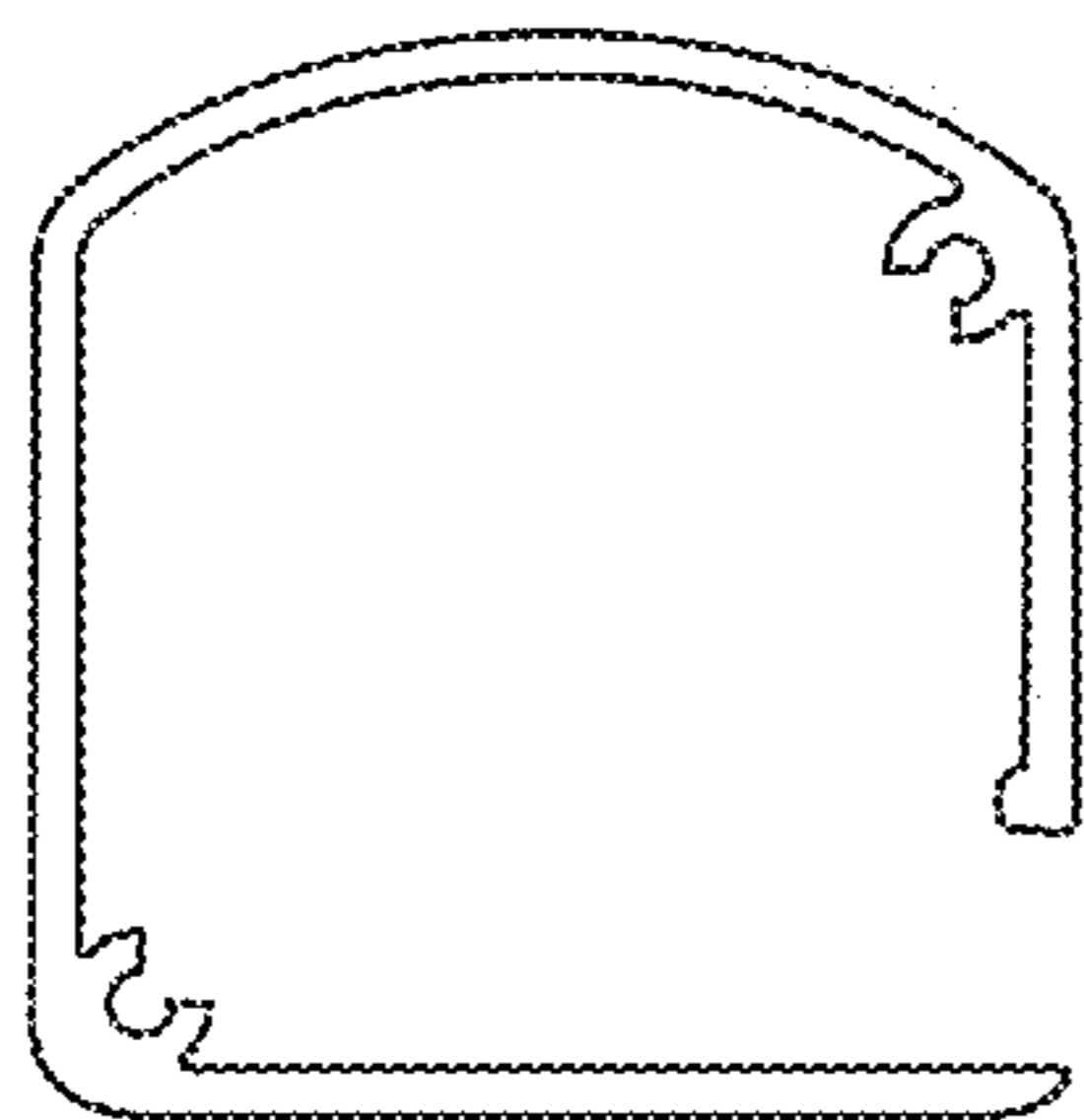
*Fig. 3*



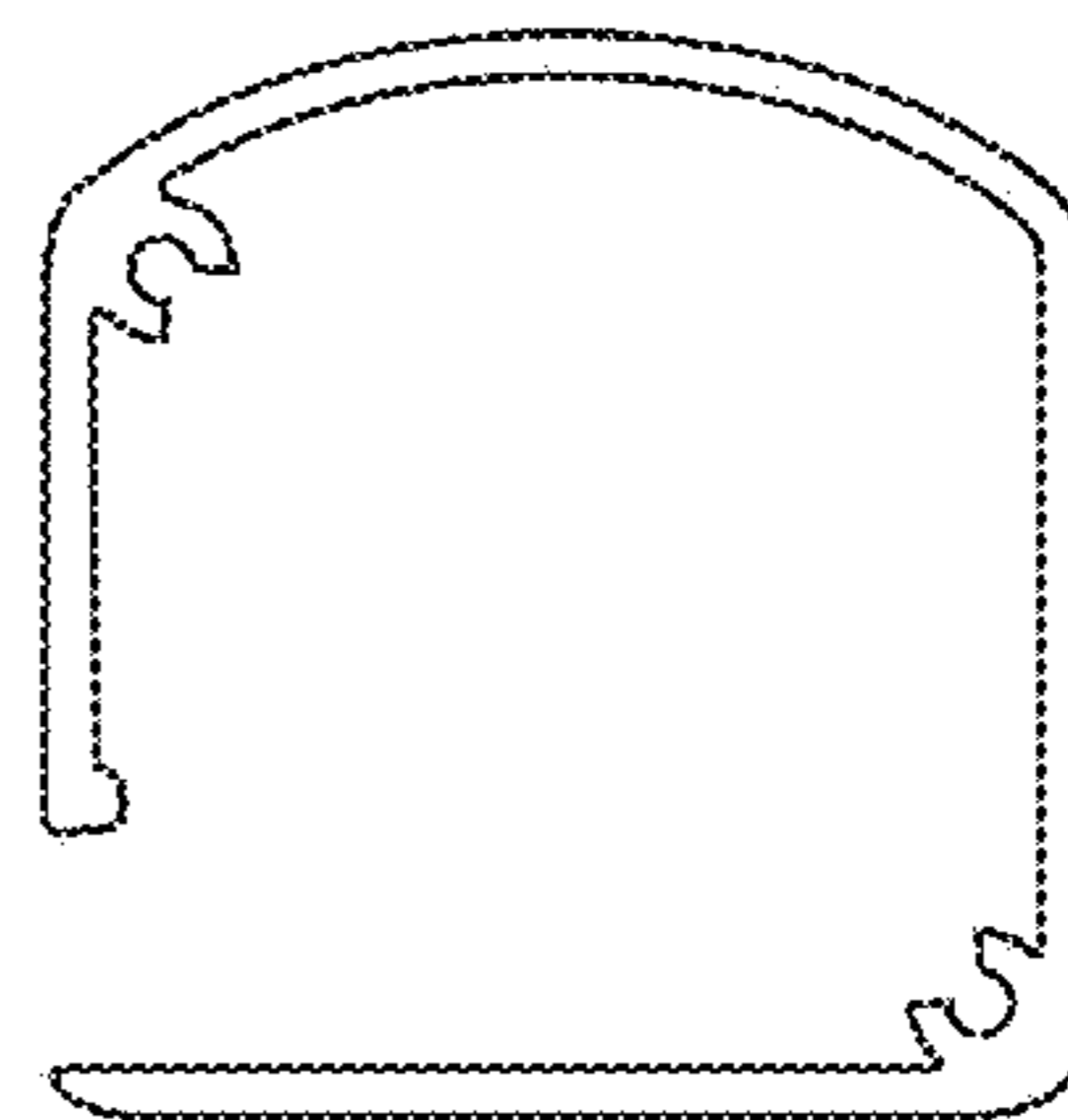
*Fig. 4*



*Fig. 5*



*Fig. 6*



*Fig. 7*