



US00D715628S

(12) **United States Design Patent**
Meyers

(10) **Patent No.:** **US D715,628 S**
(45) **Date of Patent:** **** Oct. 21, 2014**

- (54) **FURNITURE SLIDER**
- (71) Applicant: **Waxman Consumer Products Group Inc.**, Bedford Heights, OH (US)
- (72) Inventor: **Jacob Meyers**, Fairview Park, OH (US)
- (73) Assignee: **Waxman Consumer Products Group Inc.**, Bedford Heights, OH (US)

5,615,450 A 4/1997 Butler
 5,802,669 A * 9/1998 Wurdack 16/42 R
 D400,780 S * 11/1998 Wurdack D8/374

(Continued)

FOREIGN PATENT DOCUMENTS

EP 733323 A1 9/1996
 FR 2762496 A1 10/1998

OTHER PUBLICATIONS

International Search Report dated Nov. 26, 2013 and Written Opinion of the International Searching Authority dated Nov. 26, 2013 for PCT International Application No. PCT/US2013/048579, filed Jun. 28, 2013, PCT International Application No. PCT/US2013/048579 corresponds to and claims priority from the co-pending (U.S. Appl. No. 61/666,419, filed Jun. 29, 2012) and co-pending (U.S. Appl. No. 29/449,832, filed Mar. 15, 2013) and co-pending (U.S. Appl. No. 61/798,803, filed Mar. 15, 2013) of the present application. (13 pages).

Primary Examiner — Deanna L Pratt
Assistant Examiner — Ieisha Price

(74) *Attorney, Agent, or Firm* — Tarolli, Sundheim, Covell & Tummino LLP

- (**) Term: **14 Years**
- (21) Appl. No.: **29/483,878**
- (22) Filed: **Mar. 4, 2014**
- (51) **LOC (10) Cl.** **08-05**
- (52) **U.S. Cl.**
USPC **D8/374**
- (58) **Field of Classification Search**
CPC A47B 2091/06; A47B 2091/00; A47B 2220/0022; A47B 2220/0066; A47B 2220/0061; A47B 91/12
USPC 16/42 R; D8/349, 350, 353, 354, 374, D8/499; 248/127, 188.1, 188.2
See application file for complete search history.

(57) **CLAIM**
The ornamental design for an furniture slider, as shown and described.

(56) **References Cited**

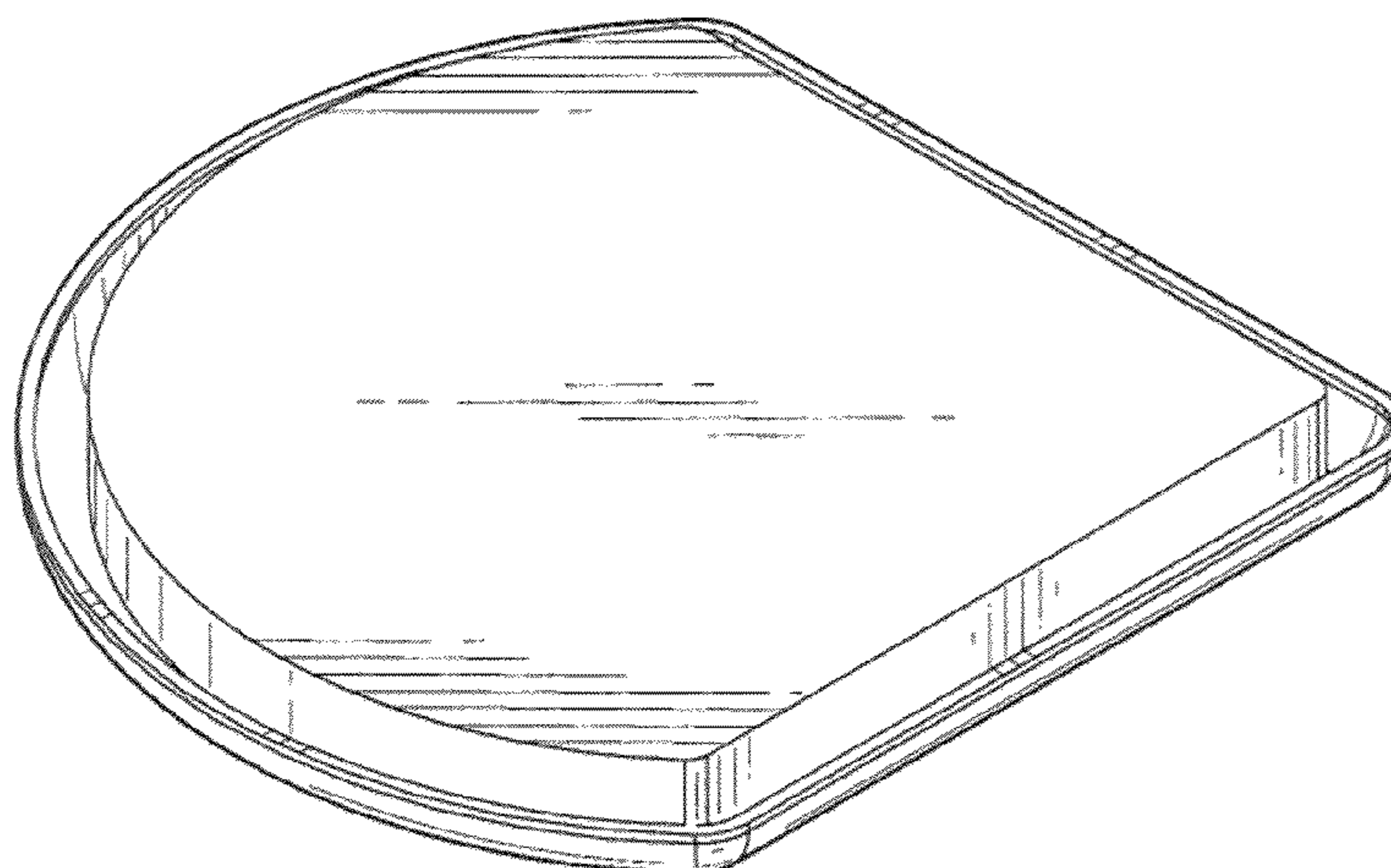
U.S. PATENT DOCUMENTS

- 1,208,546 A 12/1916 Hachmann
- 1,804,437 A 5/1931 Rice
- 1,827,972 A * 10/1931 Darnell 16/42 R
- 1,849,570 A 3/1932 Duncan, Jr.
- 1,954,130 A 4/1934 Sigfried
- 1,981,728 A 11/1934 Harris
- 2,206,120 A 7/1940 Adolphe
- 2,283,978 A 5/1942 Eberle
- 2,584,295 A 2/1952 Sanzenbacher
- 2,953,180 A 9/1960 Kyles
- 3,183,545 A 5/1965 Bergstrom
- 5,081,740 A 1/1992 Smith

DESCRIPTION

FIG. 1 is a top, front perspective view of a furniture slider; FIG. 2 is a bottom, front perspective view thereof; FIG. 3 is a top right perspective view thereof; FIG. 4 is a bottom right perspective view thereof; FIG. 5 is a top plan view thereof; FIG. 6 is a bottom plan view thereof; FIG. 7 is a left side elevation view thereof; FIG. 8 is a front elevation view thereof; FIG. 9 is a rear elevation view thereof; and, FIG. 10 is a right side elevation view thereof.

1 Claim, 4 Drawing Sheets



(56)

References Cited

U.S. PATENT DOCUMENTS

6,206,424 B1 * 3/2001 Edwards et al. 280/845
D460,681 S * 7/2002 Edwards D8/354
D481,624 S * 11/2003 Miskill D8/400
6,869,052 B2 3/2005 Keast et al.
6,901,629 B2 * 6/2005 Wurdack 16/42 R
D513,381 S * 1/2006 Belec D8/400

D601,007 S * 9/2009 Brouard D8/400
8,438,701 B2 5/2013 Bushey
8,667,645 B2 3/2014 Smith
2004/0051014 A1 3/2004 Keast et al.
2007/0011845 A1 1/2007 Bushey et al.
2008/0179471 A1 7/2008 Verdelli
2010/0050389 A1 3/2010 Robinson et al.
2011/0191985 A1 8/2011 Hirth

* cited by examiner

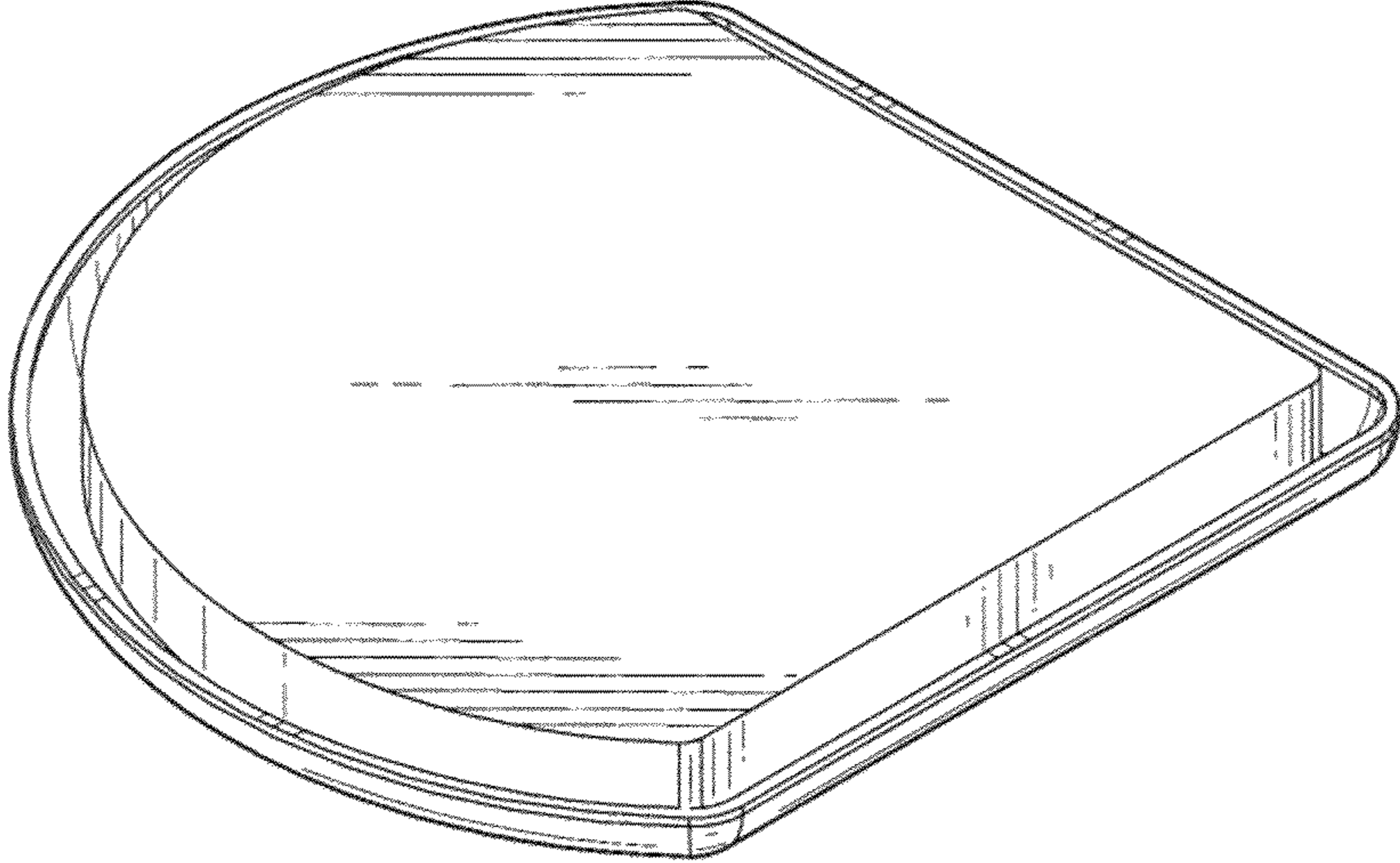


FIG. 1

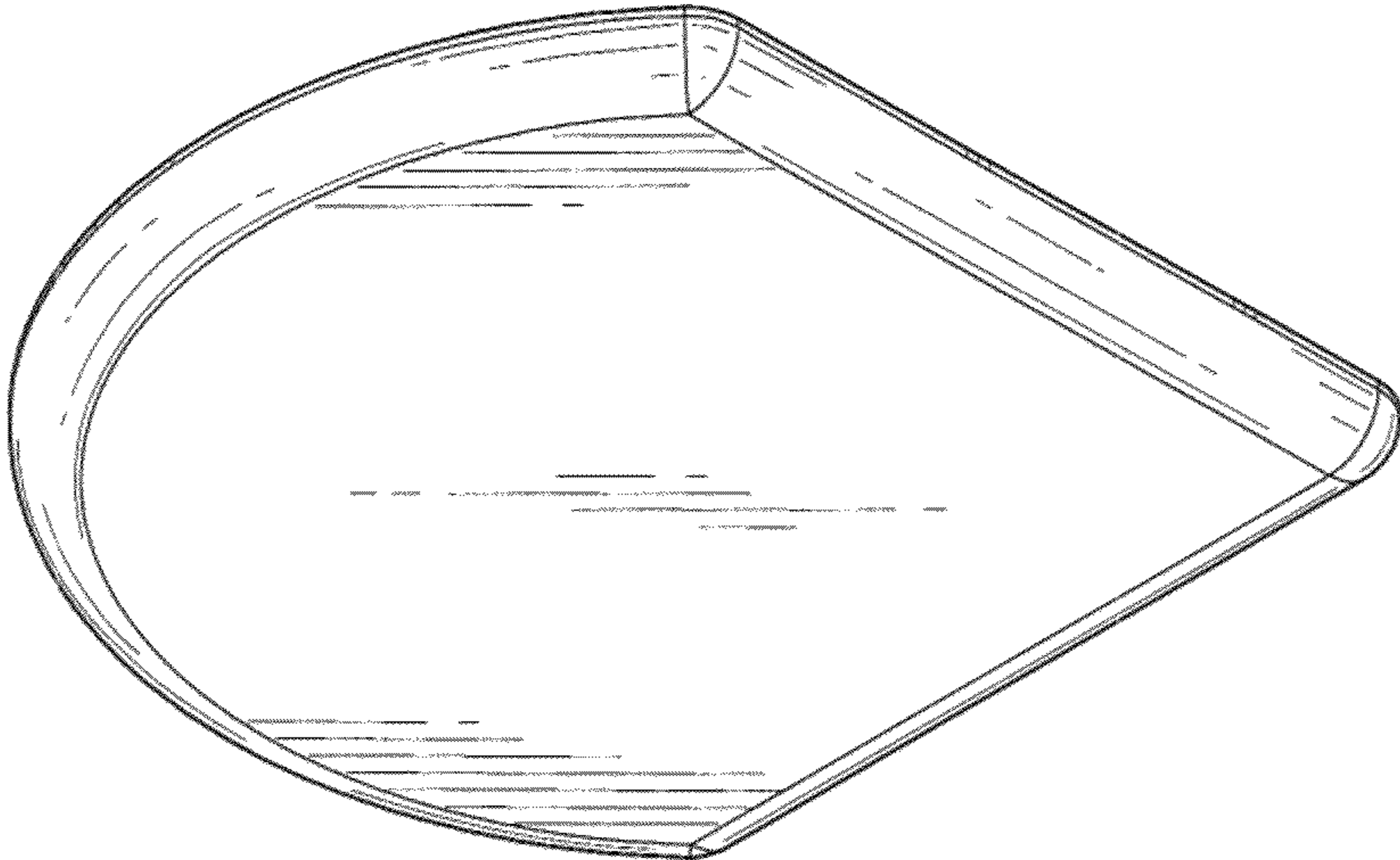


FIG. 2

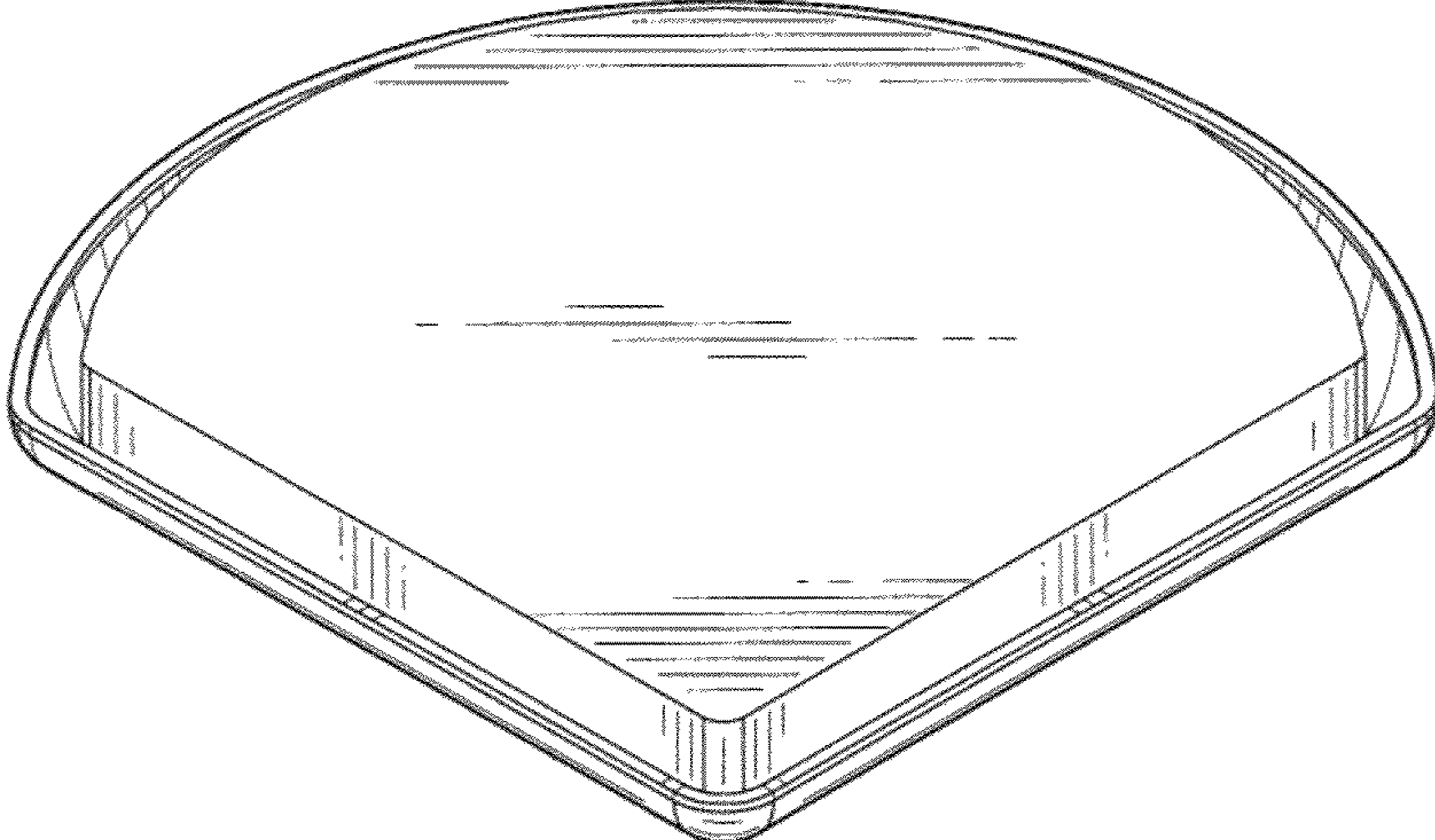


FIG. 3

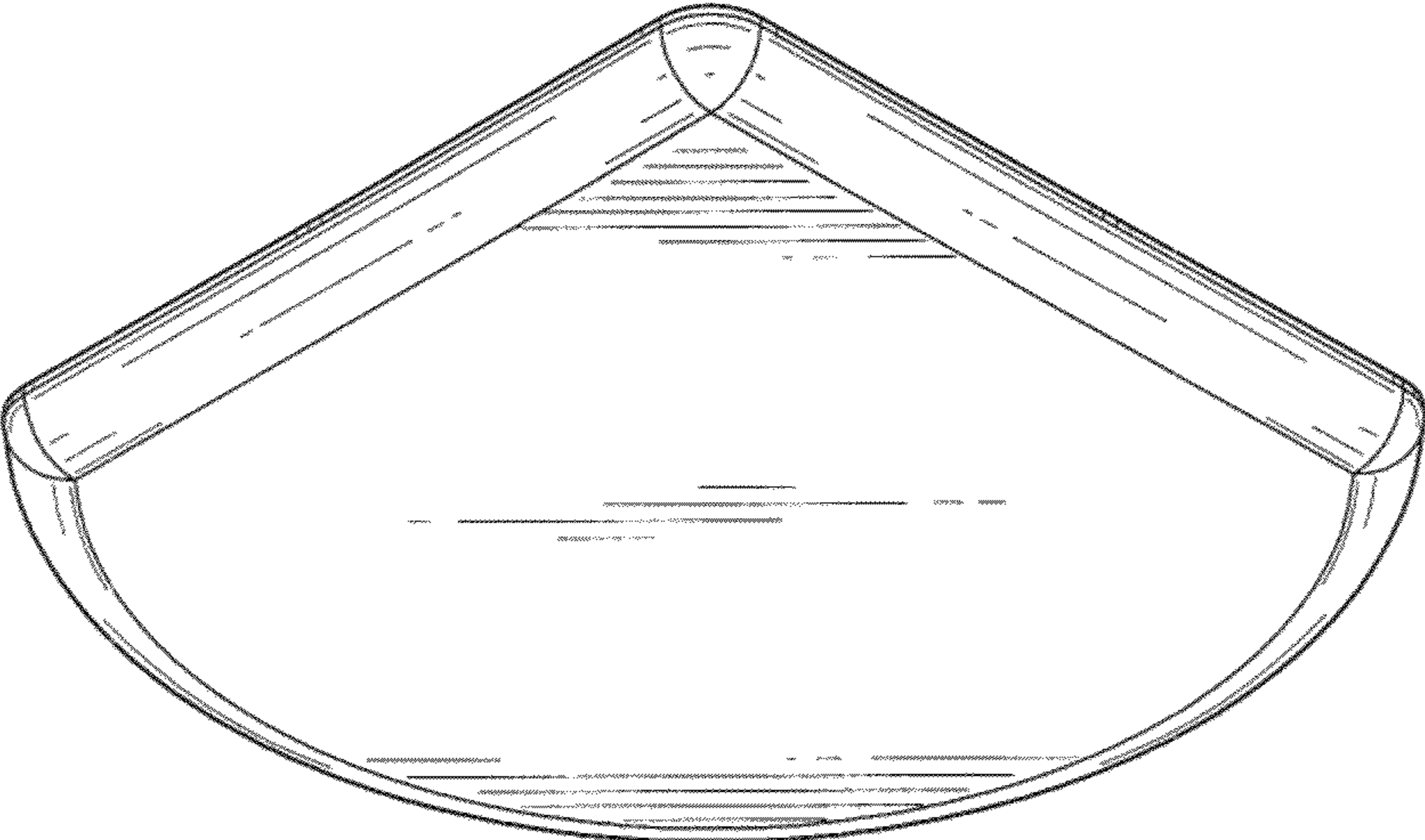


FIG. 4

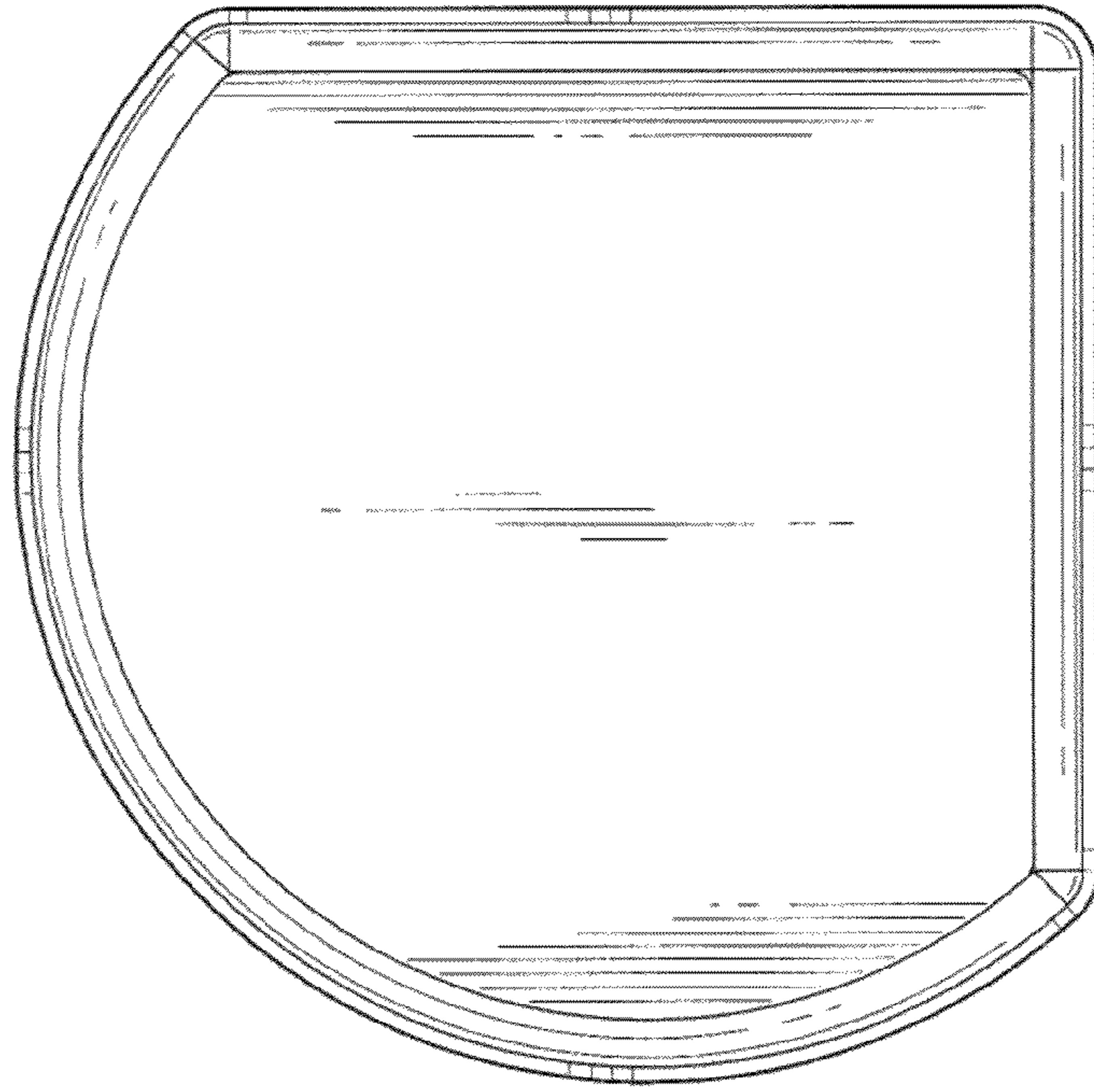


FIG. 5

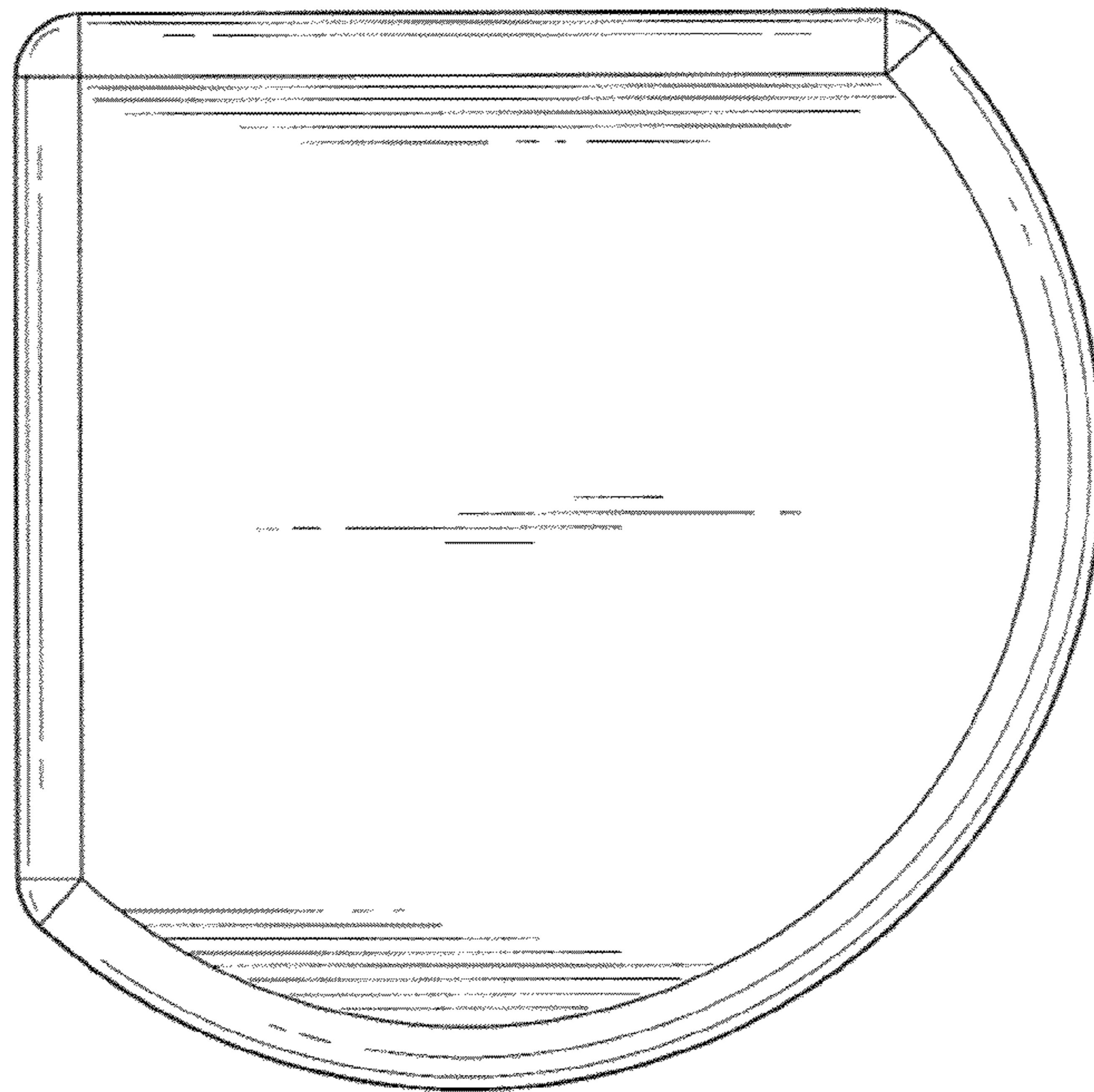


FIG. 6

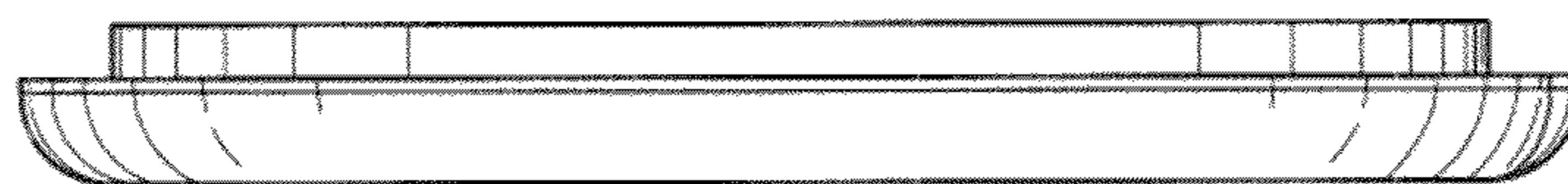


FIG. 7



FIG. 8



FIG. 9

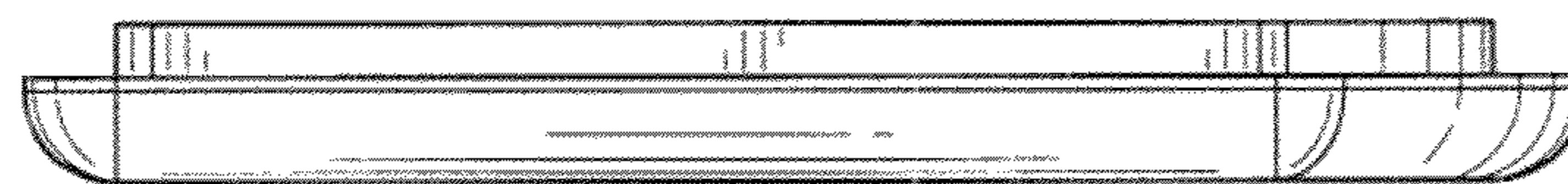


FIG. 10