



US00D715627S

(12) **United States Design Patent**
Pan et al.

(10) **Patent No.:** **US D715,627 S**
(45) **Date of Patent:** **** Oct. 21, 2014**

(54) **HOOK**

(71) Applicant: **3M Innovative Properties Company**,
St. Paul, MN (US)

(72) Inventors: **Angela L. Pan**, Woodbury, MN (US);
Craig D. Thompson, Inver Grove
Heights, MN (US)

(73) Assignee: **3M Innovative Properties Company**,
St. Paul, MN (US)

(**) Term: **14 Years**

(21) Appl. No.: **29/455,490**

(22) Filed: **May 21, 2013**

(51) **LOC (10) Cl.** **08-05**

(52) **U.S. Cl.**
USPC **D8/371**

(58) **Field of Classification Search**

CPC . A47G 25/0607; A47G 25/0614; A47G 25/50

USPC D6/315, 320, 323, 512; D8/371, 354,

D8/373, 366, 367; 248/682, 683, 690, 692,

248/200, 205.1, 205.3

See application file for complete search history.

(56) **References Cited**

U.S. PATENT DOCUMENTS

D465,724 S *	11/2002	Goodman et al.	D8/367
D468,624 S *	1/2003	Goodman et al.	D8/371
D608,357 S *	1/2010	Peyridieu	D14/253
D613,151 S *	4/2010	Goodman et al.	D8/367
D613,588 S *	4/2010	Goodman et al.	D8/367
D632,549 S *	2/2011	Williams	D8/367
D635,846 S *	4/2011	Klein et al.	D8/372

* cited by examiner

Primary Examiner — Deanna L Pratt

Assistant Examiner — Ieisha Price

(74) *Attorney, Agent, or Firm* — Irina Hass

(57) **CLAIM**

The ornamental design for a hook, as shown and described.

DESCRIPTION

FIG. 1 is a perspective view showing the new design for a hook;

FIG. 2 is a front view thereof;

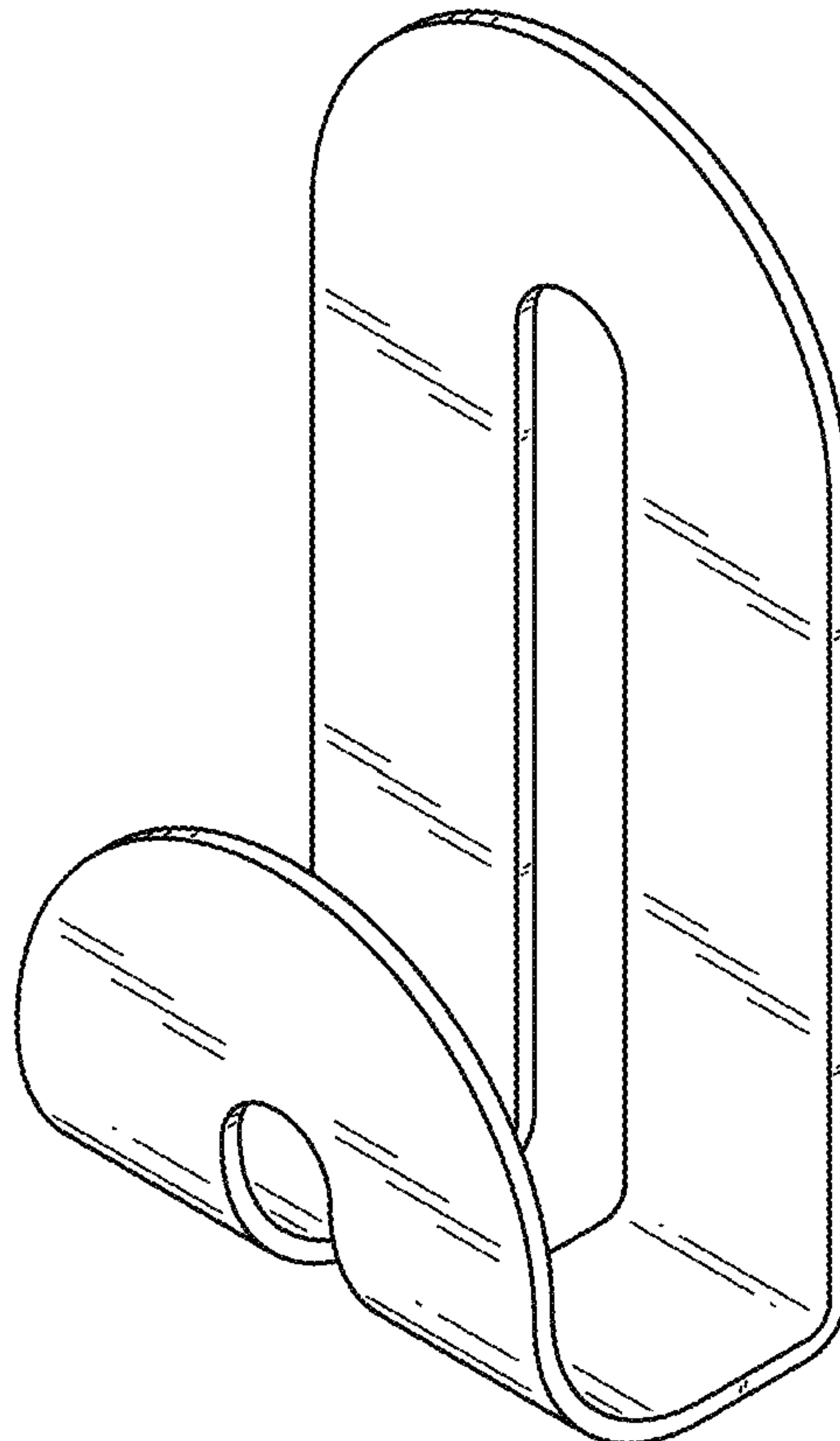
FIG. 3 is a right side view thereof, a left side view being a mirror image thereof;

FIG. 4 is a rear view thereof;

FIG. 5 is a top view thereof; and,

FIG. 6 is a bottom view thereof.

1 Claim, 2 Drawing Sheets



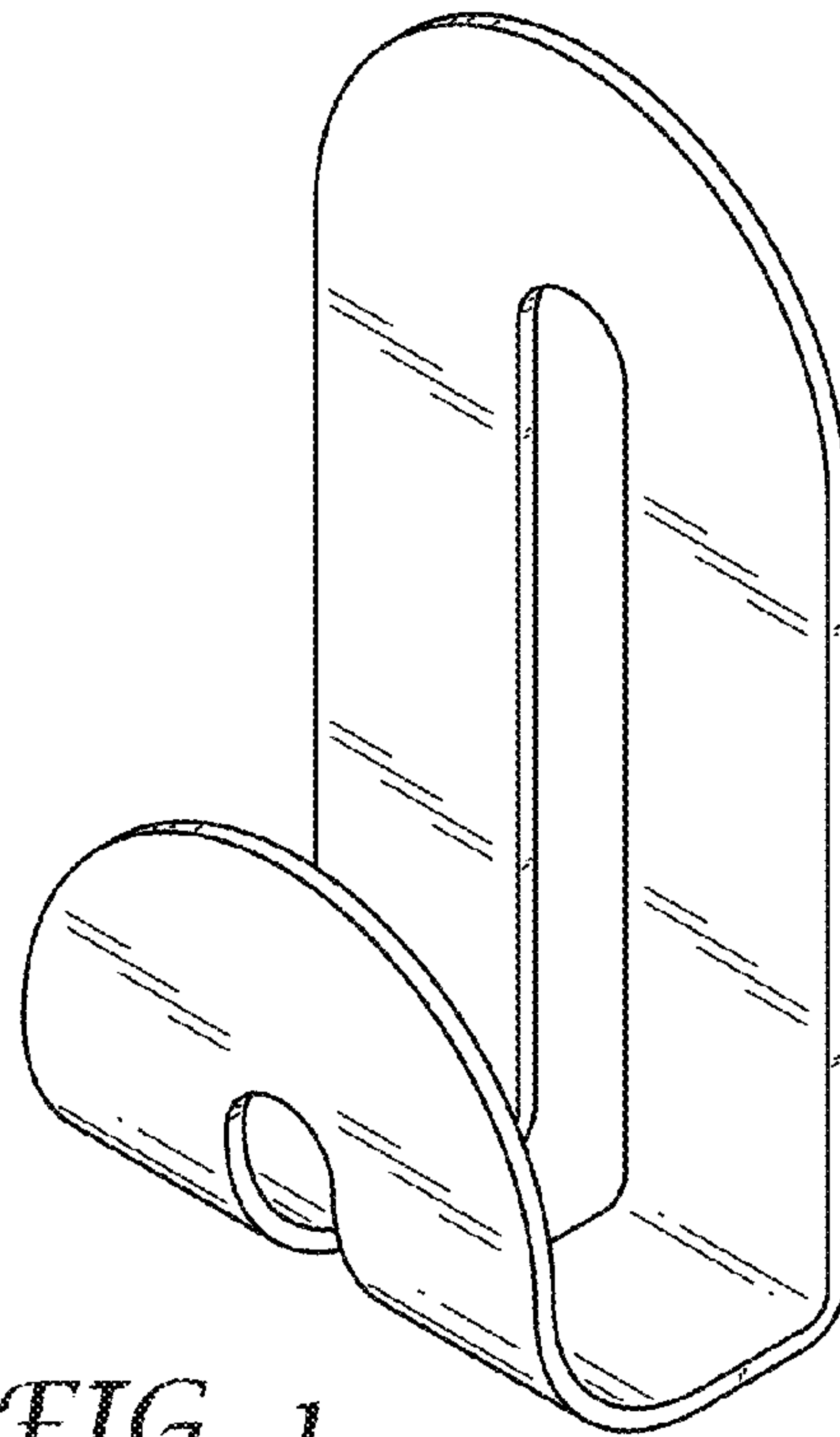


FIG. 1

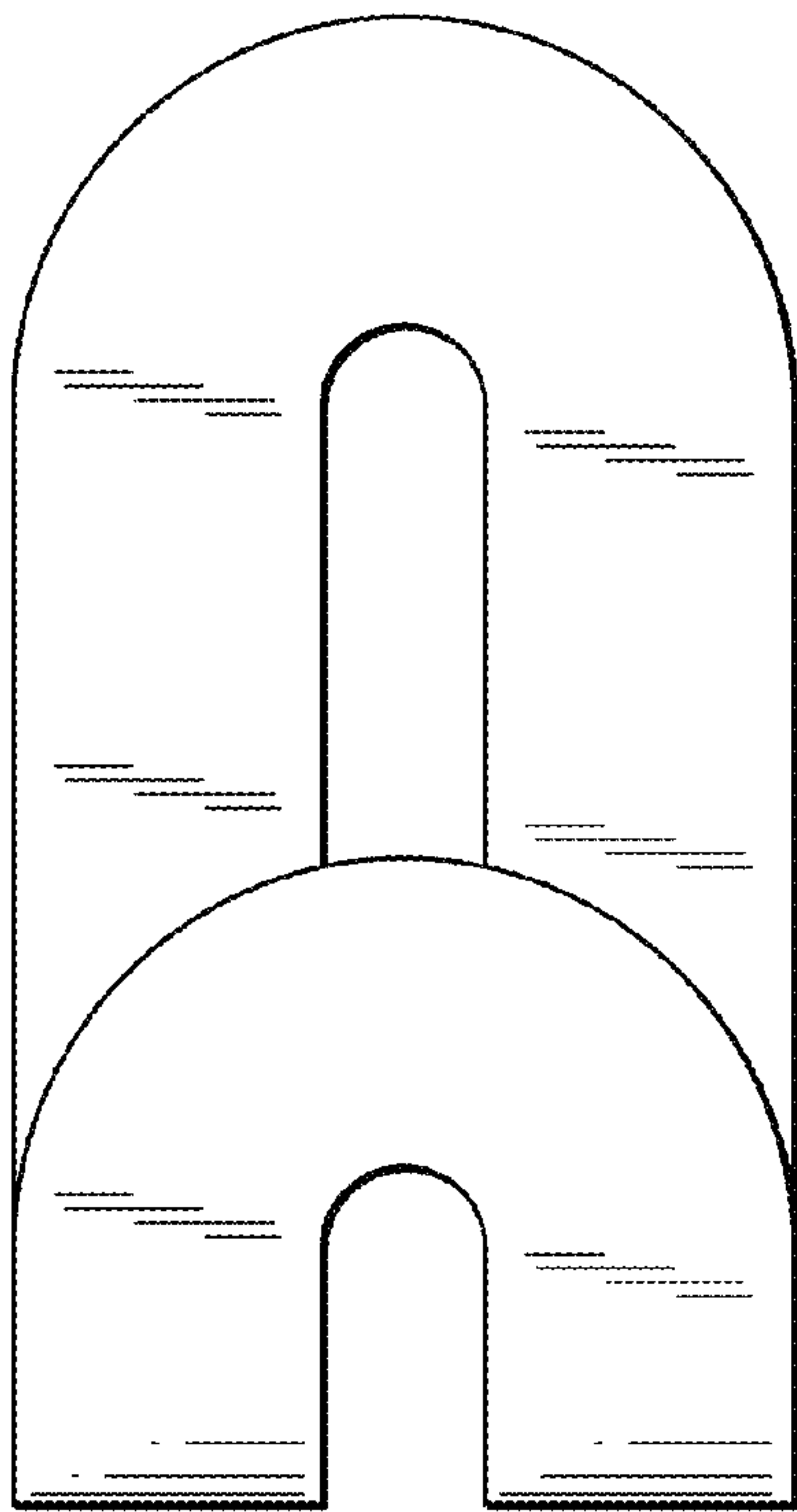


FIG. 2

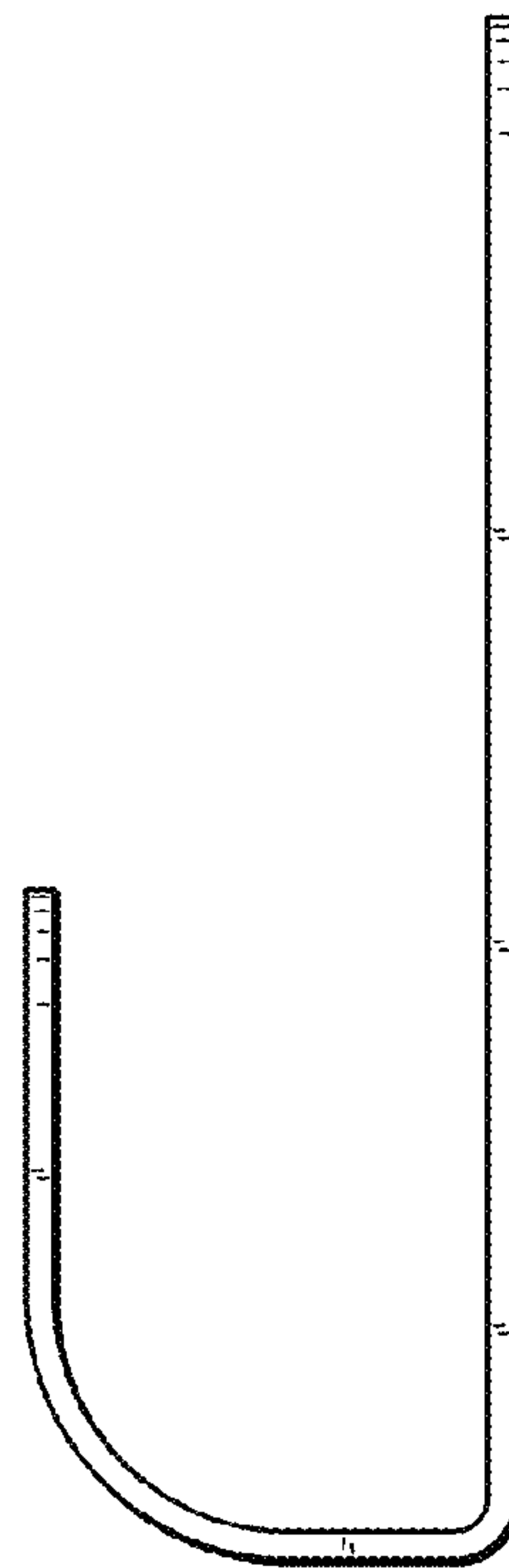


FIG. 3

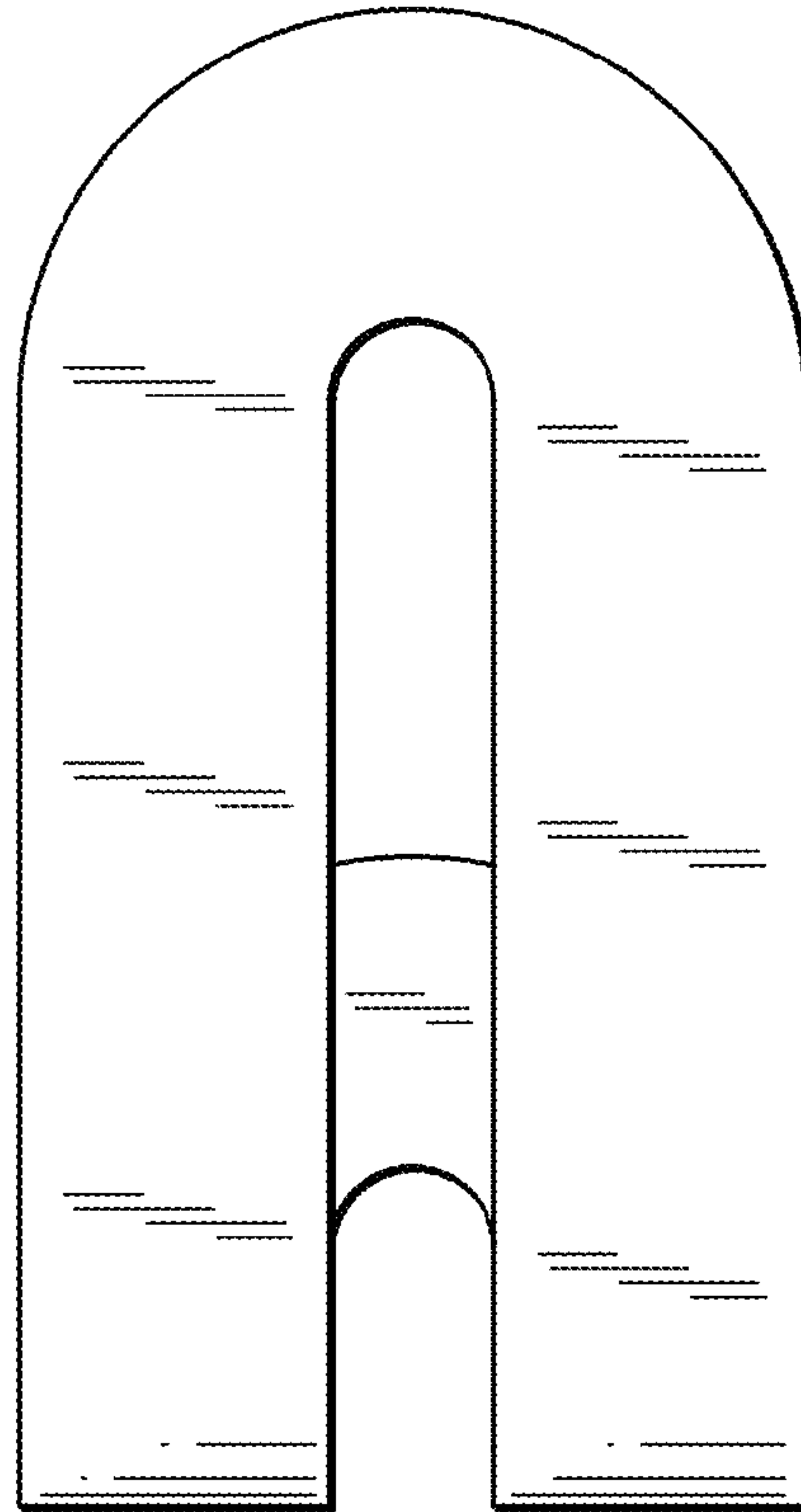


FIG. 4

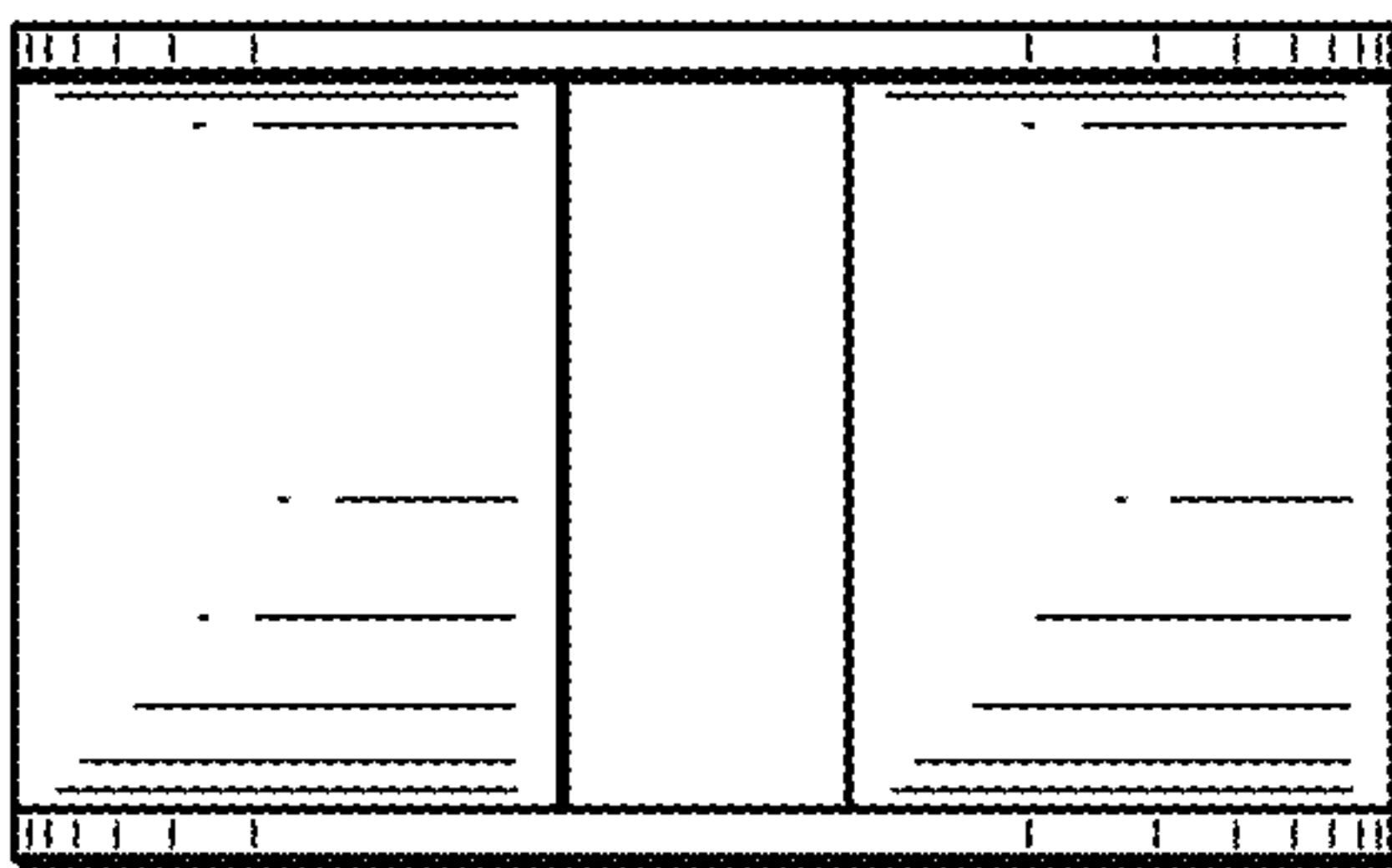


FIG. 5

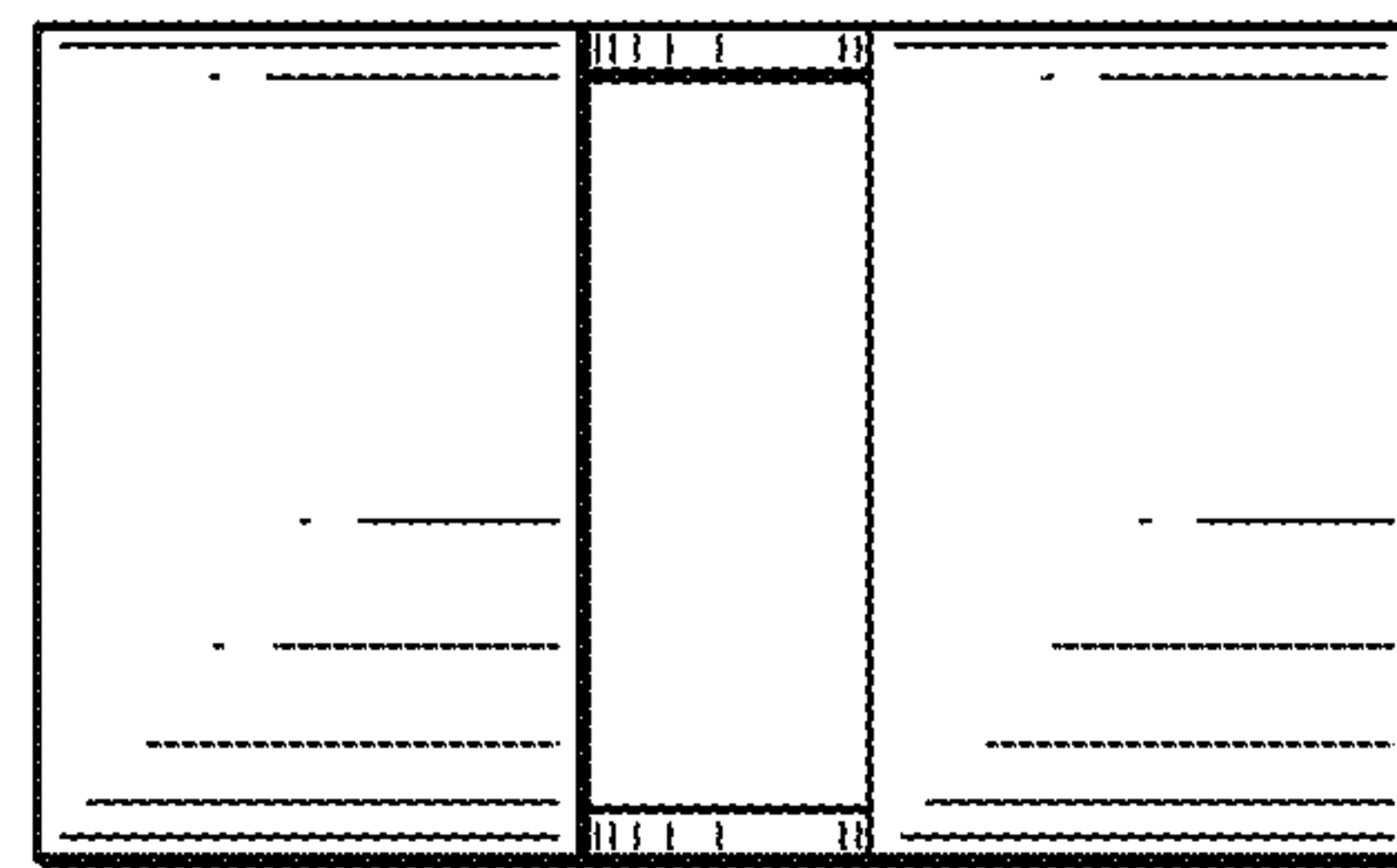


FIG. 6