



US00D715624S

(12) **United States Design Patent**  
**Thompson et al.**

(10) **Patent No.:** **US D715,624 S**  
(45) **Date of Patent:** **\*\* Oct. 21, 2014**

- (54) **HOOK**
- (71) Applicant: **3M Innovative Properties Company**,  
St. Paul, MN (US)
- (72) Inventors: **Craig D. Thompson**, Inver Grove  
Heights, MN (US); **Angela L. Pan**,  
Woodbury, MN (US)
- (73) Assignee: **3M Innovative Properties Company**,  
St. Paul, MN (US)
- (\*\*) Term: **14 Years**
- (21) Appl. No.: **29/476,131**
- (22) Filed: **Dec. 11, 2013**
- (51) **LOC (10) Cl.** ..... **08-05**
- (52) **U.S. Cl.**  
USPC ..... **D8/367**
- (58) **Field of Classification Search**  
CPC ..... A47G 1/00; A47G 25/00  
USPC ..... D8/367, 354, 349, 373; D6/323;  
248/301-304, 339  
See application file for complete search history.

6,325,342	B1	*	12/2001	Dignat	.....	248/118
D480,292	S	*	10/2003	Johansson et al.	.....	D8/367
D494,452	S	*	8/2004	Sheldon et al.	.....	D8/367
D543,837	S	*	6/2007	Newbould et al.	.....	D8/367
D554,481	S	*	11/2007	Newbould et al.	.....	D8/367
D554,482	S	*	11/2007	Hager et al.	.....	D8/367
D565,939	S	*	4/2008	Newbould et al.	.....	D8/367
D572,121	S	*	7/2008	Shiffler	.....	D8/367
D579,322	S	*	10/2008	Newbould et al.	.....	D8/367
D583,653	S	*	12/2008	Thompson et al.	.....	D8/367
D584,939	S	*	1/2009	Snell	.....	D8/367
D603,688	S	*	11/2009	Chiu	.....	D8/367
D609,995	S	*	2/2010	Hager et al.	.....	D8/367
7,833,620	B2	*	11/2010	Enserink et al.	.....	428/321.1
D632,951	S	*	2/2011	McGreevy et al.	.....	D8/367
D641,228	S	*	7/2011	Qiblawi et al.	.....	D8/367
D641,614	S	*	7/2011	Pontaoe	.....	D8/394
D665,653	S	*	8/2012	Thompson et al.	.....	D8/367
D672,223	S	*	12/2012	Thompson	.....	D8/356
D678,041	S	*	3/2013	Pan et al.	.....	D8/367
D680,804	S	*	4/2013	Gilboe	.....	D7/367
D682,663	S	*	5/2013	Evon	.....	D8/367
D697,388	S	*	1/2014	Pan	.....	D8/367
D697,389	S	*	1/2014	Pan	.....	D8/367

\* cited by examiner

*Primary Examiner* — Cynthia Underwood  
(74) *Attorney, Agent, or Firm* — Irina Hass

(57) **CLAIM**  
The ornamental design for a hook, as shown and described.

(56) **References Cited**

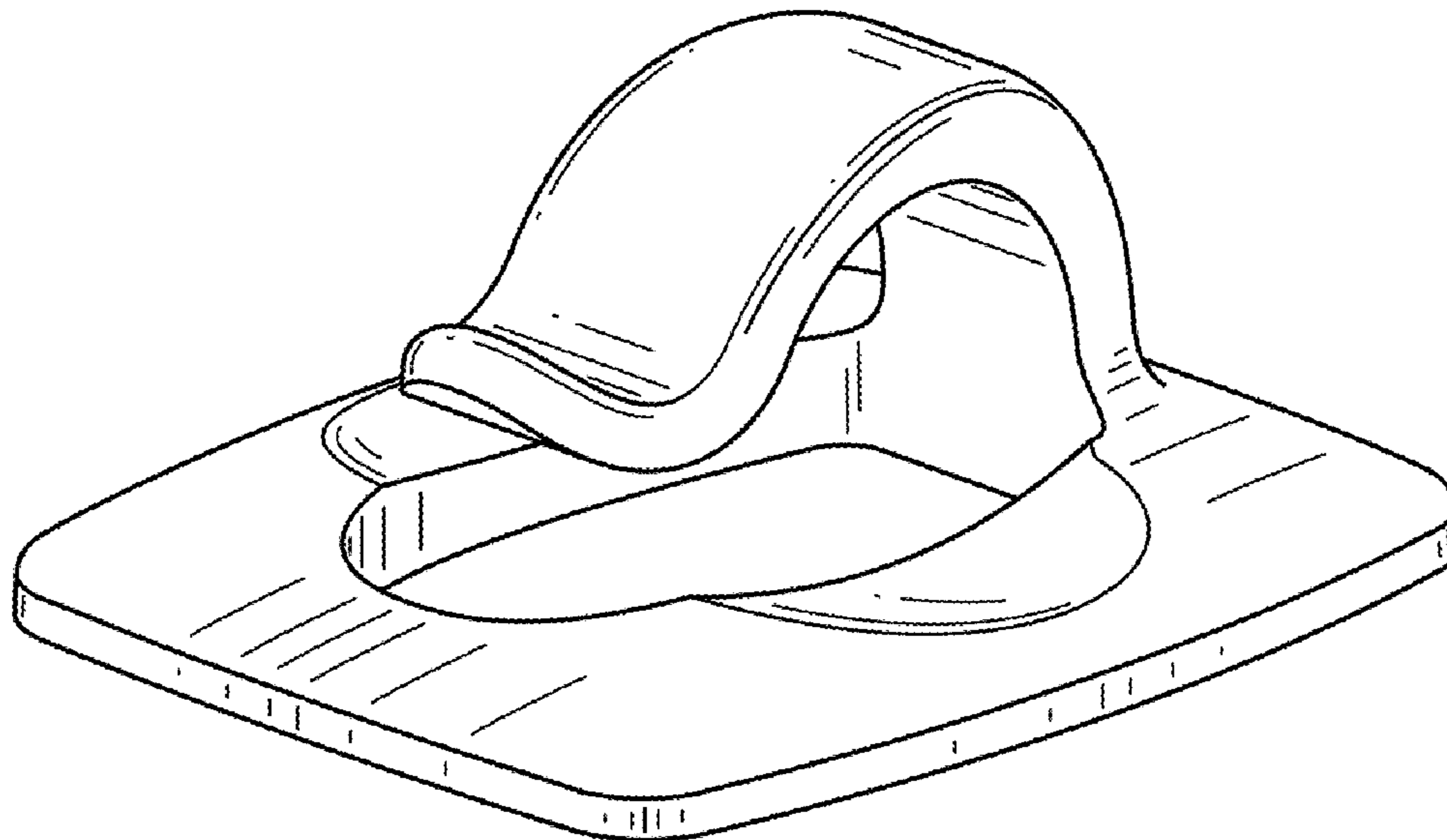
U.S. PATENT DOCUMENTS

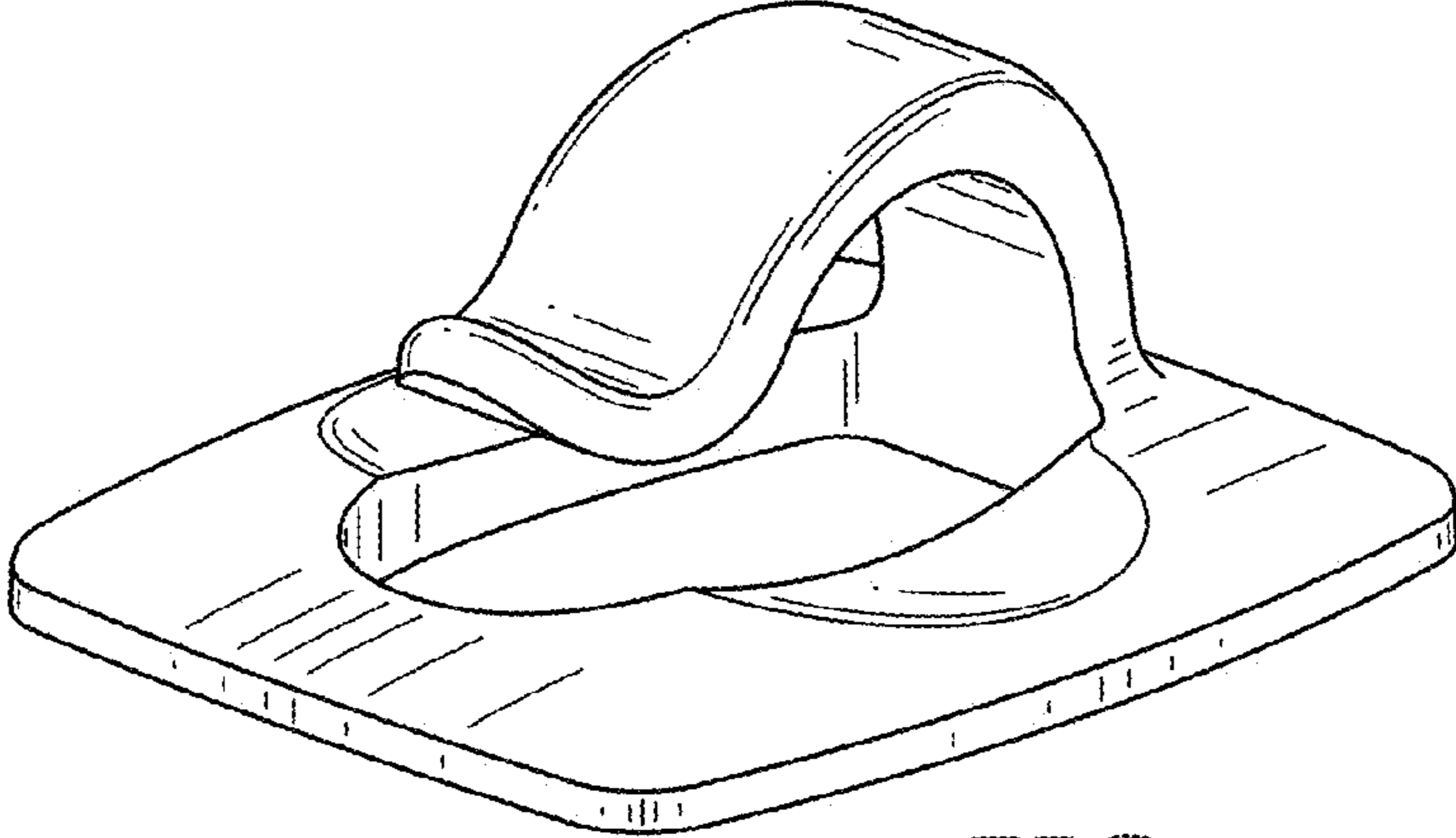
1,886,882	A	*	11/1932	Huber	.....	24/698.1
D241,206	S	*	8/1976	Halsted	.....	D6/323
D289,139	S	*	4/1987	Chasen	.....	D8/367
D289,255	S	*	4/1987	Chasen	.....	D8/367
D307,539	S	*	5/1990	Goodman et al.	.....	D8/367
D339,058	S	*	9/1993	Greenhut et al.	.....	D8/367
D345,497	S	*	3/1994	Miller	.....	D8/367
D361,930	S	*	9/1995	Fillipp et al.	.....	D8/367
D390,014	S	*	2/1998	Ho	.....	D6/323
D393,412	S	*	4/1998	Bries et al.	.....	D8/367
D417,385	S	*	12/1999	Bries et al.	.....	D8/367

**DESCRIPTION**

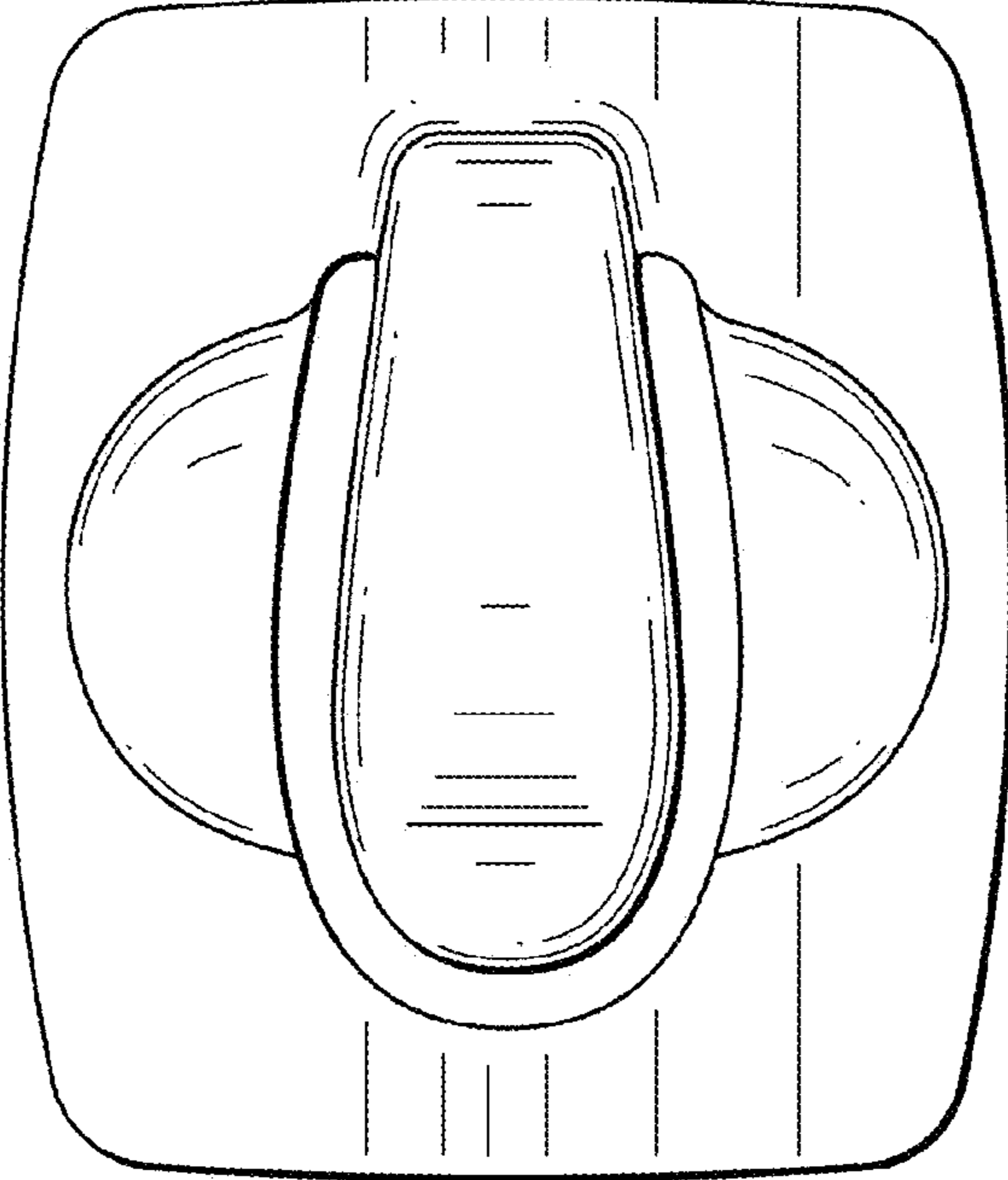
FIG. 1 is a perspective view of a hook showing the new design;  
FIG. 2 is a top view thereof;  
FIG. 3 is a side view thereof;  
FIG. 4 is a front view thereof;  
FIG. 5 is a rear view thereof; and,  
FIG. 6 is a bottom view thereof.

**1 Claim, 2 Drawing Sheets**

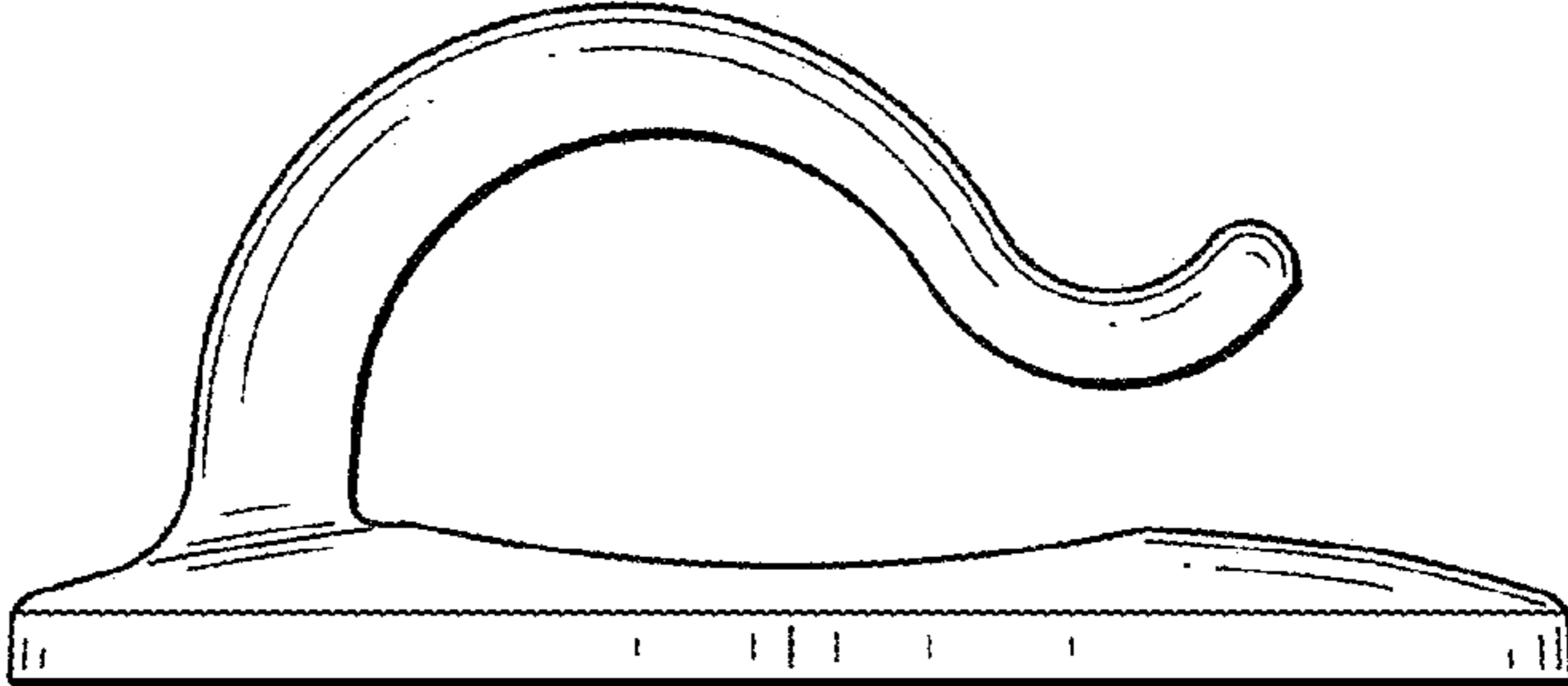




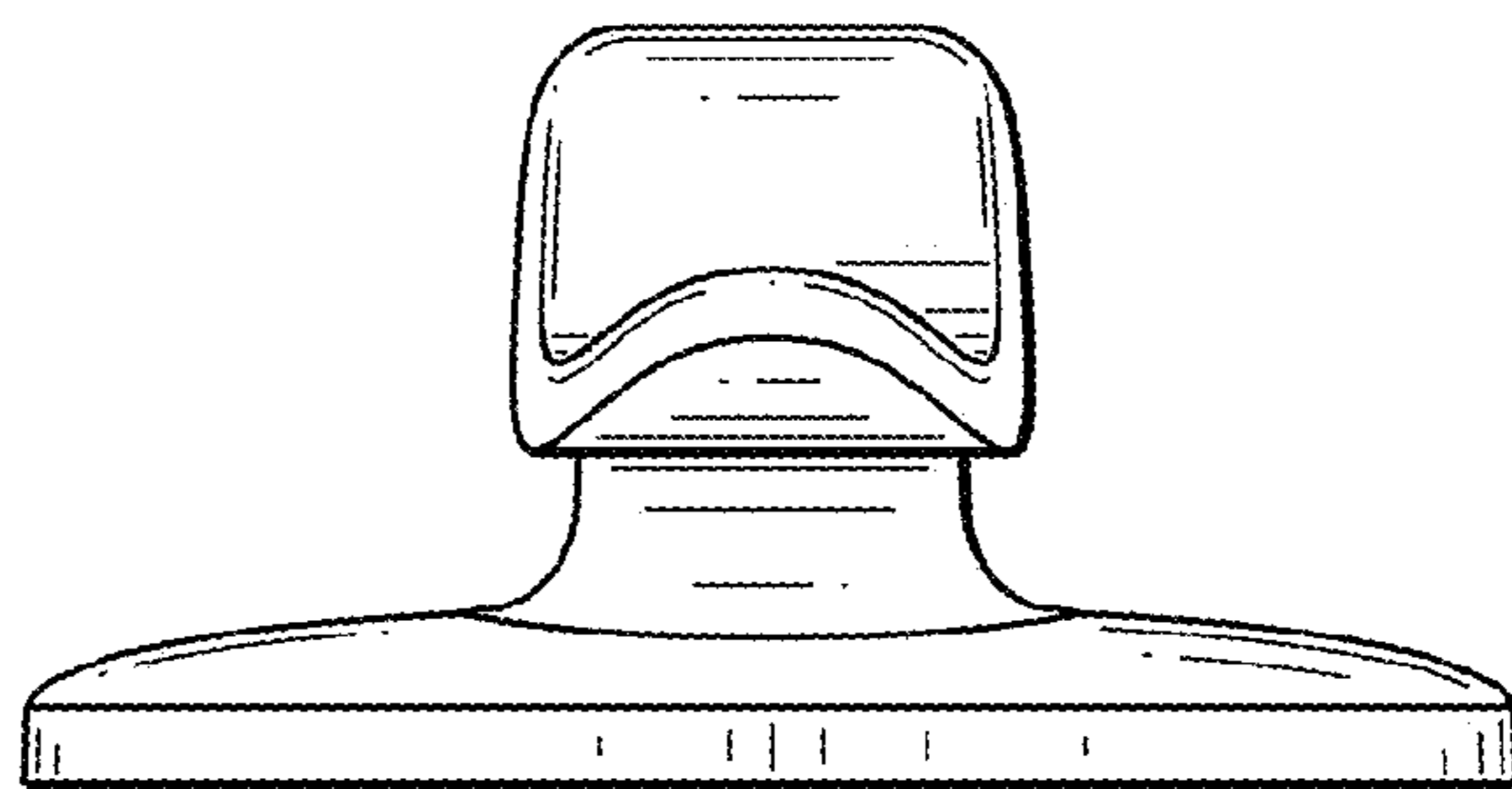
*FIG. 1*



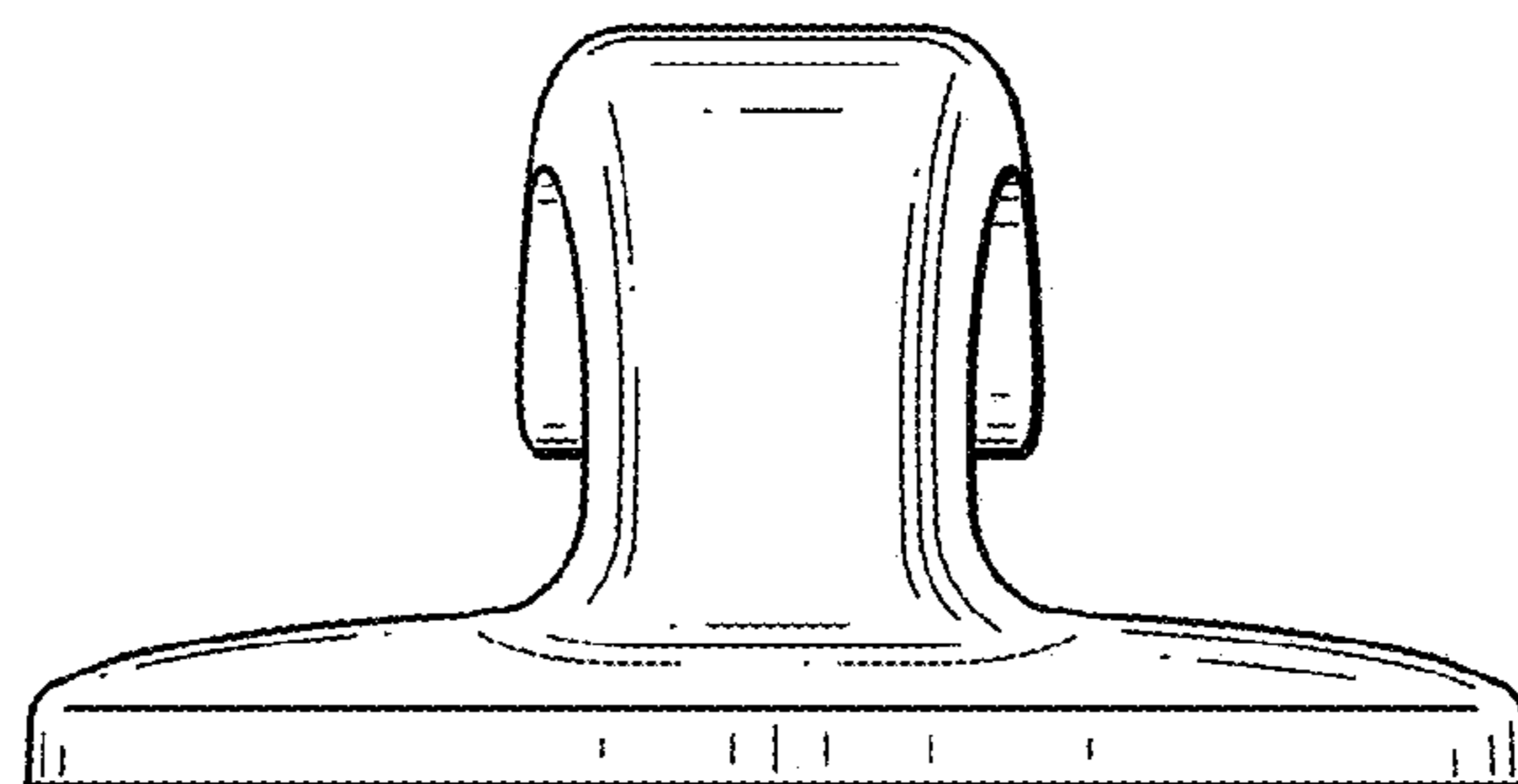
*FIG. 2*



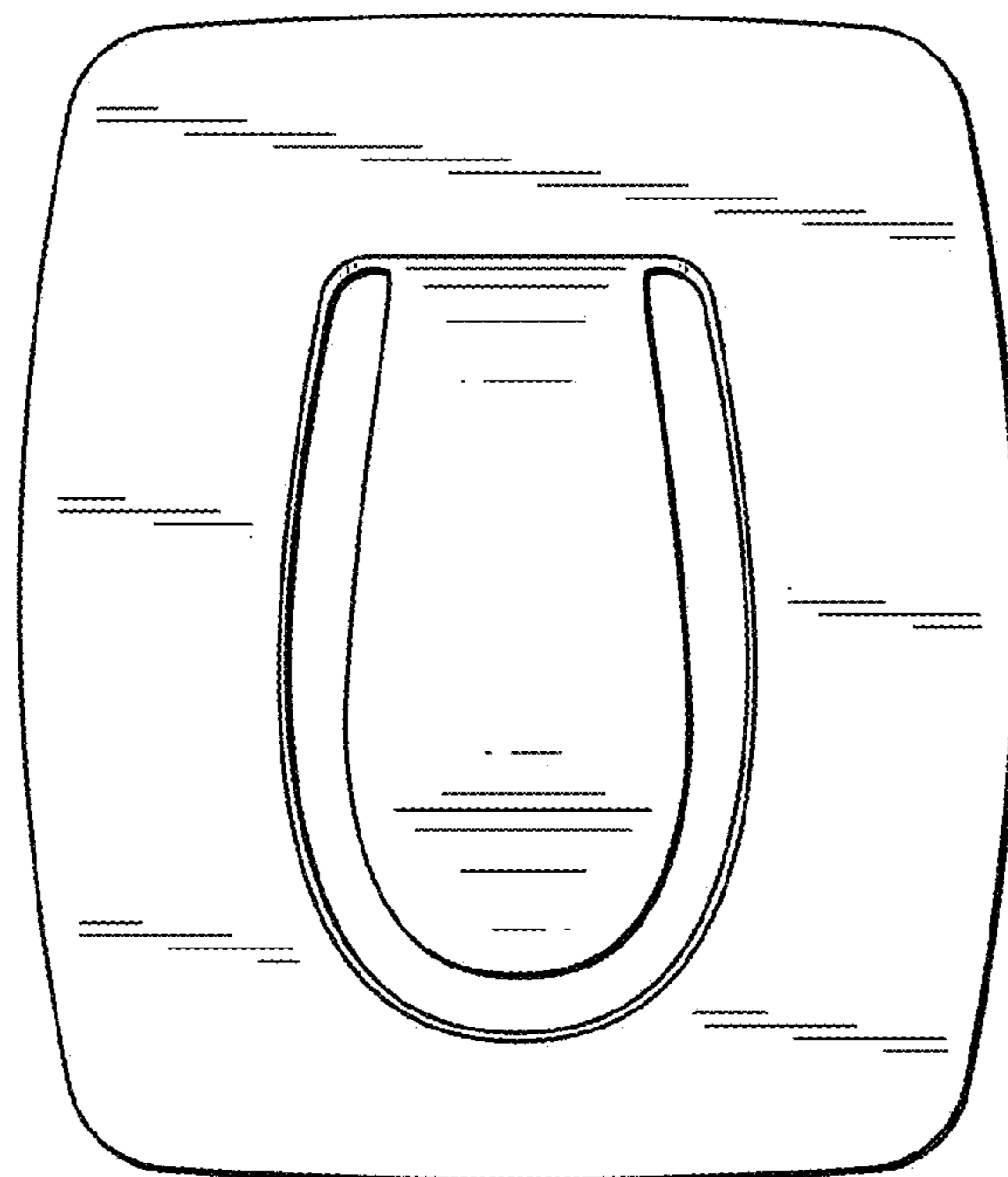
*FIG. 3*



*FIG. 4*



*FIG. 5*



*FIG. 6*