



US00D715623S

(12) **United States Design Patent**  
**Holtby et al.**

(10) **Patent No.:** **US D715,623 S**

(45) **Date of Patent:** **\*\* Oct. 21, 2014**

(54) **HEAVY DUTY LINE PIPE TRAY**  
(75) Inventors: **Quinn A. J. Holtby**, Edmonton (CA);  
**Dallas Laird Greenwood**, Edmonton (CA)

7,762,400 B2 \* 7/2010 Hall et al. .... 206/564  
D630,096 S \* 1/2011 Doster ..... D9/456  
D630,704 S \* 1/2011 Kochanski ..... D23/206  
D663,205 S \* 7/2012 Nelson et al. .... D9/456  
D701,005 S \* 3/2014 Gilkey et al. .... D30/133

(73) Assignee: **Katch Kan Holdings Ltd.**, Edmonton, Alberta (CA)

FOREIGN PATENT DOCUMENTS

CA ID102346 2/2004  
CA ID128113 9/2009

(\*\*) Term: **14 Years**

OTHER PUBLICATIONS

(21) Appl. No.: **29/422,898**

Katchkan.com: 3 Saddle Line Pipe Tray—Easy Pour by Katch Kan. 1 page. (c) 2014 by Katch Kan Ltd. Found online at <http://www.katchkan.com/product/3-saddle-line-pipe-tray-easy-pour/>.  
Cappservice.com: Central Alberta Plastic Products PN#4281—Line Pipe Tray. 1 page. (c) 2002-2009. Found online at <http://www.cappservice.com/linepipetray.html>.

(22) Filed: **May 24, 2012**

(30) **Foreign Application Priority Data**

Jan. 19, 2012 (CA) ..... 144032

(51) **LOC (10) Cl.** ..... **08-05**

(52) **U.S. Cl.**  
USPC ..... **D8/356**

(58) **Field of Classification Search**  
CPC ..... B65D 85/20; F16M 13/00  
USPC ..... D9/425, 430, 434, 456, 457, 499;  
D3/273, 313; 206/234, 423, 446, 564,  
206/735; 220/737; D7/586  
See application file for complete search history.

\* cited by examiner

*Primary Examiner* — Robert M Spear  
(74) *Attorney, Agent, or Firm* — Anthony R. Lambert

(57) **CLAIM**  
The ornamental design for a heavy duty line pipe tray, as shown and described.

**DESCRIPTION**

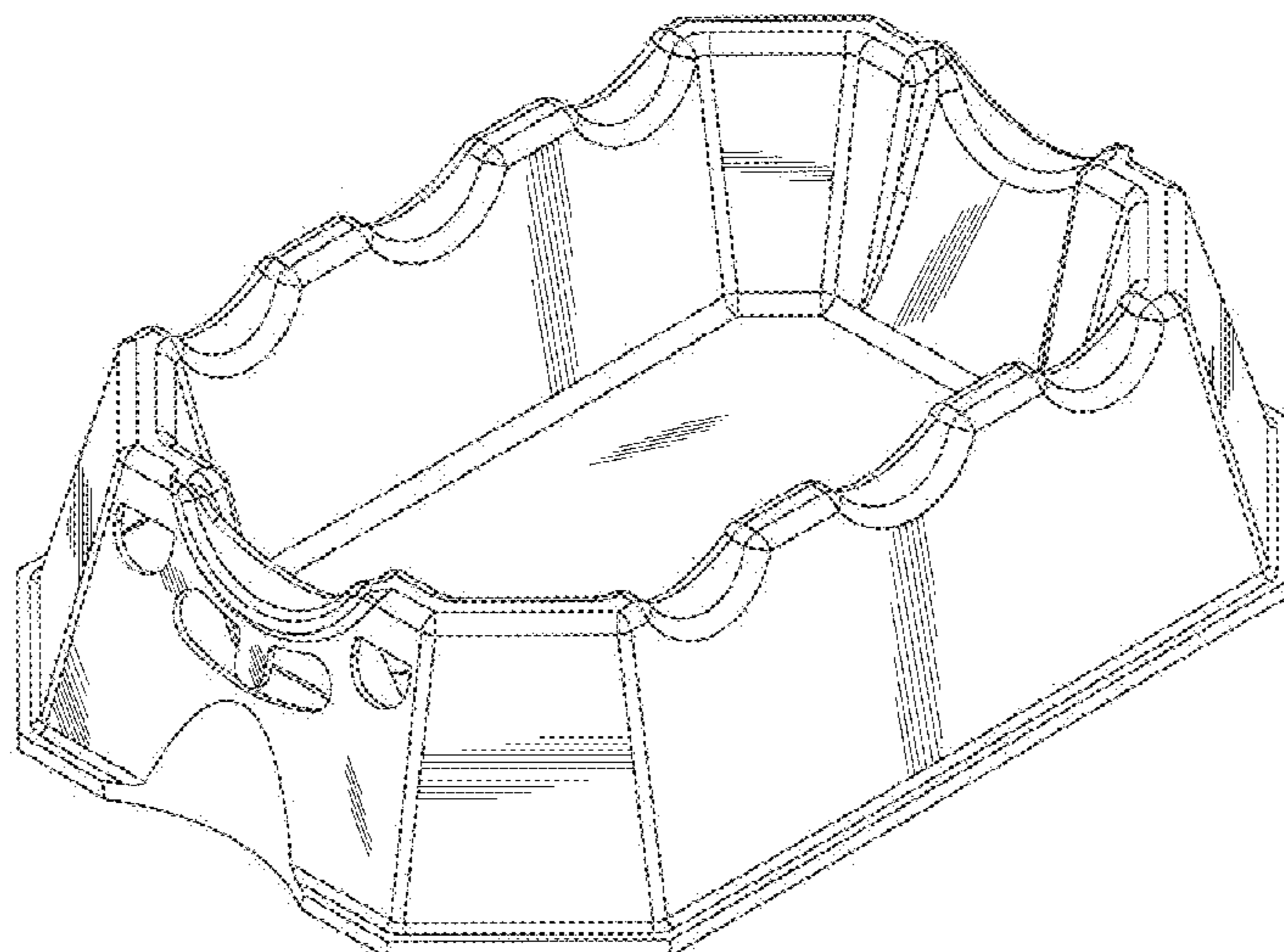
(56) **References Cited**

U.S. PATENT DOCUMENTS

1,858,101 A 5/1932 McAfee  
D221,071 S \* 7/1971 Jolin, Jr. .... D9/456  
D331,538 S \* 12/1992 Fabre ..... D9/455  
5,205,452 A \* 4/1993 Mankey ..... 224/275  
D340,761 S \* 10/1993 Long ..... D23/206  
5,941,410 A 8/1999 Mangano  
5,975,342 A \* 11/1999 Bradeen et al. .... 220/737  
6,932,449 B2 8/2005 Collins et al.  
7,644,819 B2 \* 1/2010 Gill et al. .... 206/446

FIG. 1 is a perspective view of the heavy duty line pipe tray, according to the new design;  
FIG. 2 is a side elevation view of the heavy duty line pipe tray of FIG. 1;  
FIG. 3 is an end elevation view of the heavy duty line pipe tray of FIG. 1;  
FIG. 4 is a top plan view of the heavy duty line pipe tray of FIG. 1; and,  
FIG. 5 is a bottom plan view of the heavy duty line pipe tray of FIG. 1.

**1 Claim, 5 Drawing Sheets**



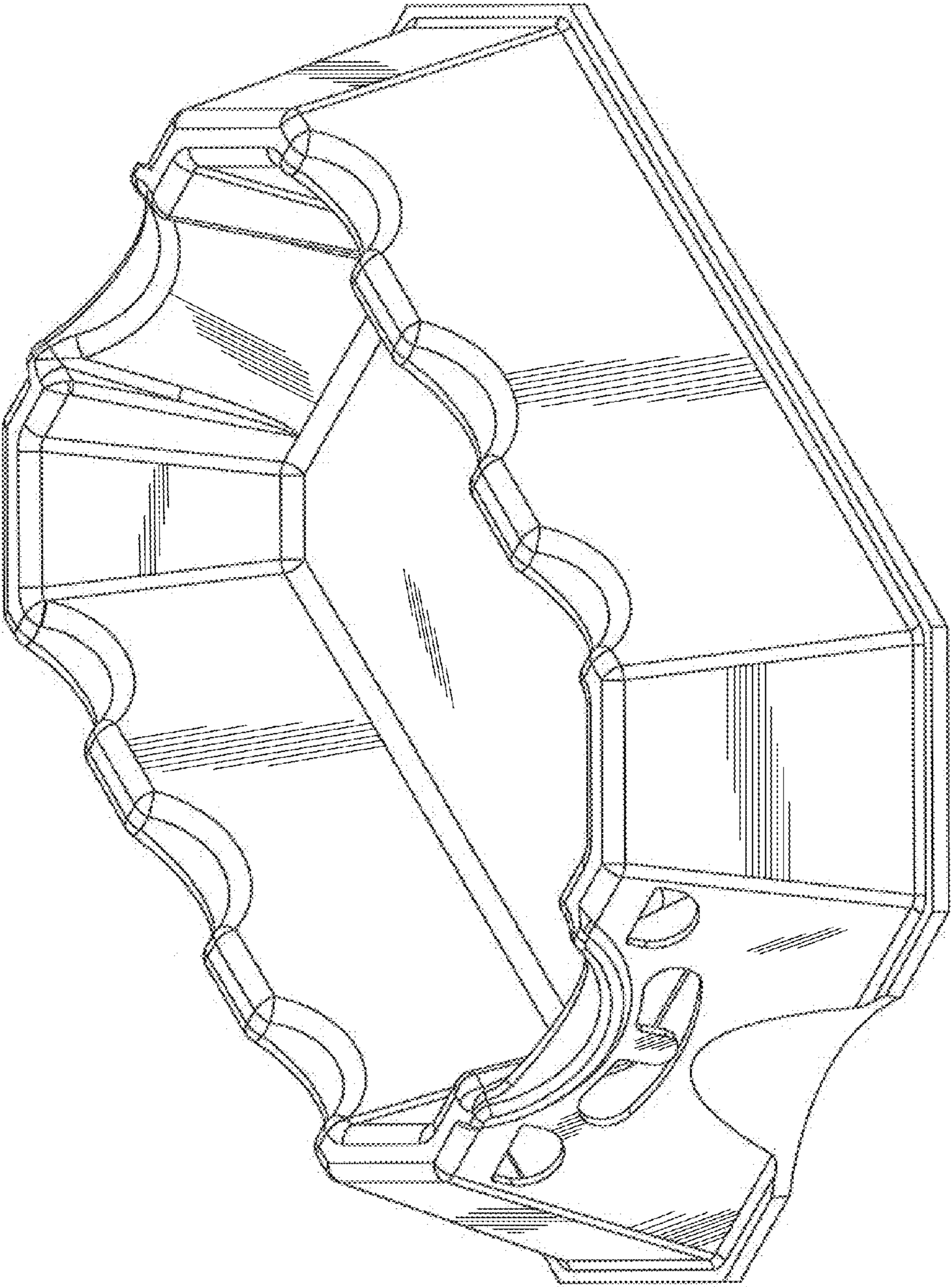


FIG. 1

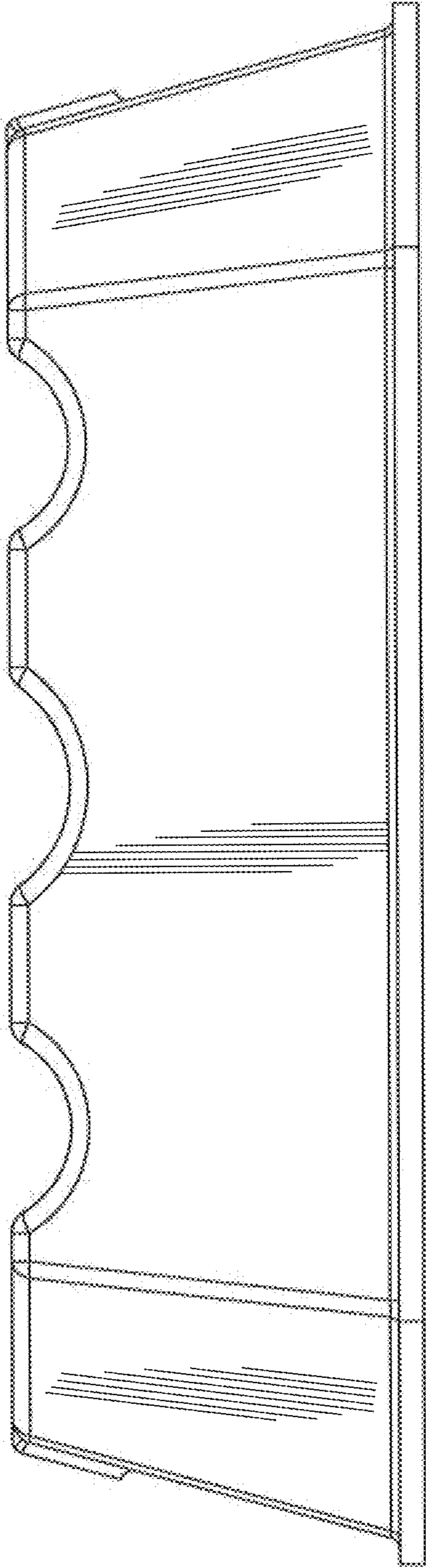


FIG. 2

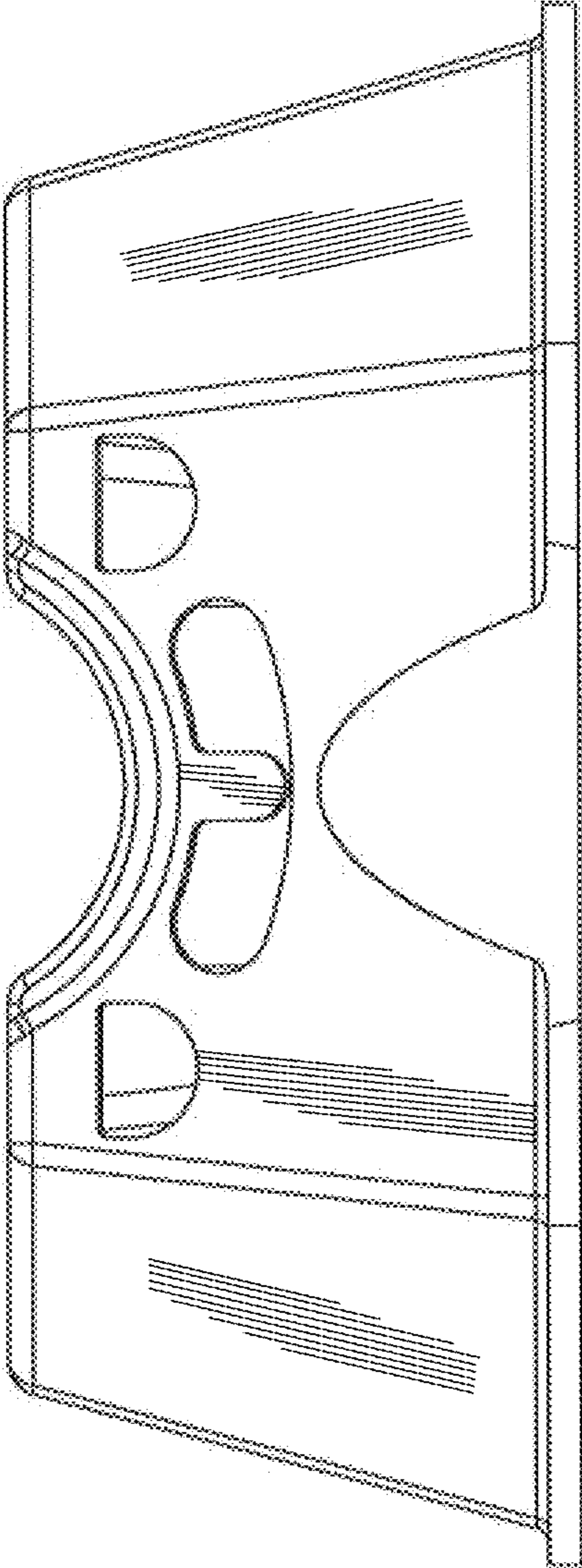


FIG.3

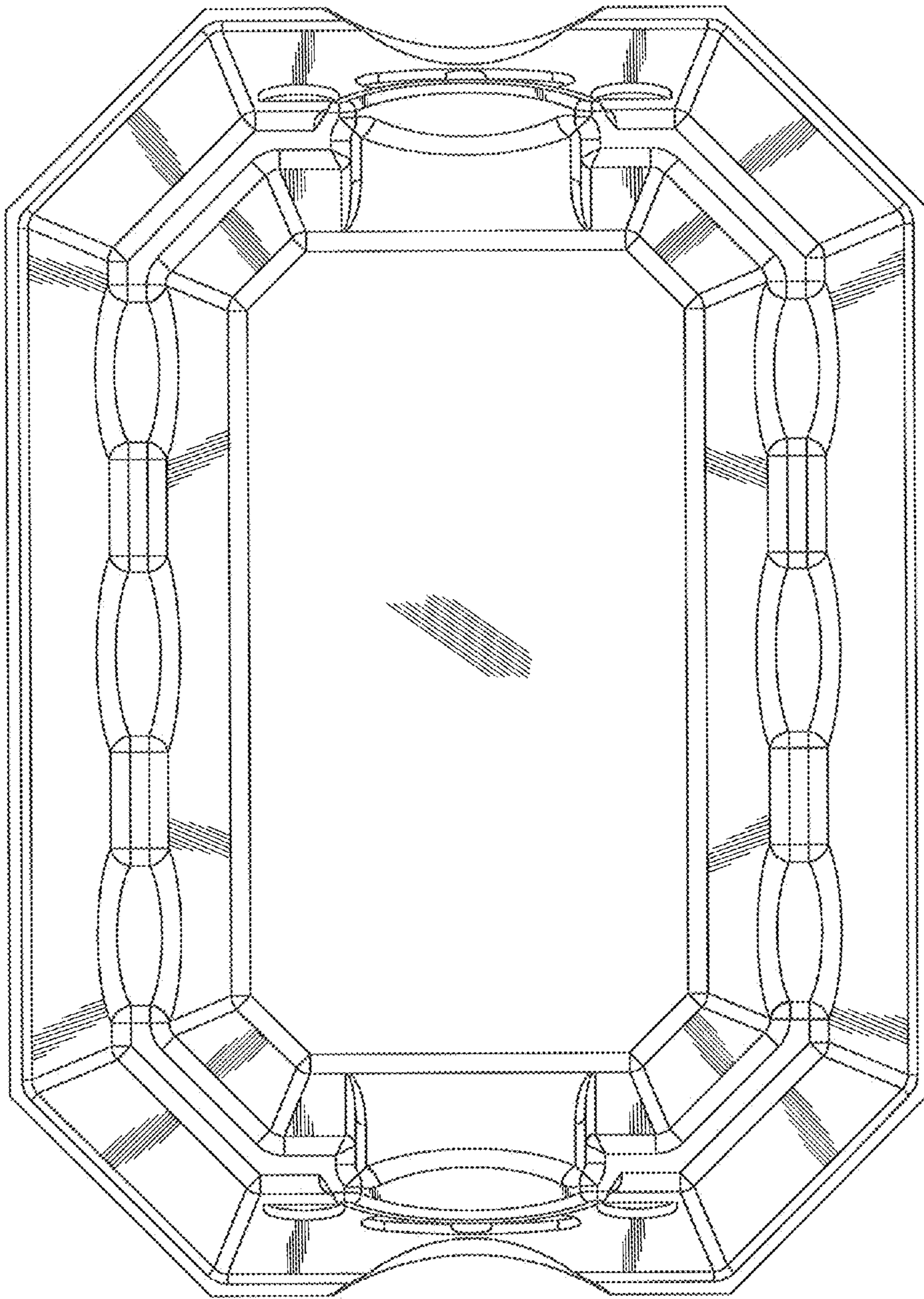


FIG. 4

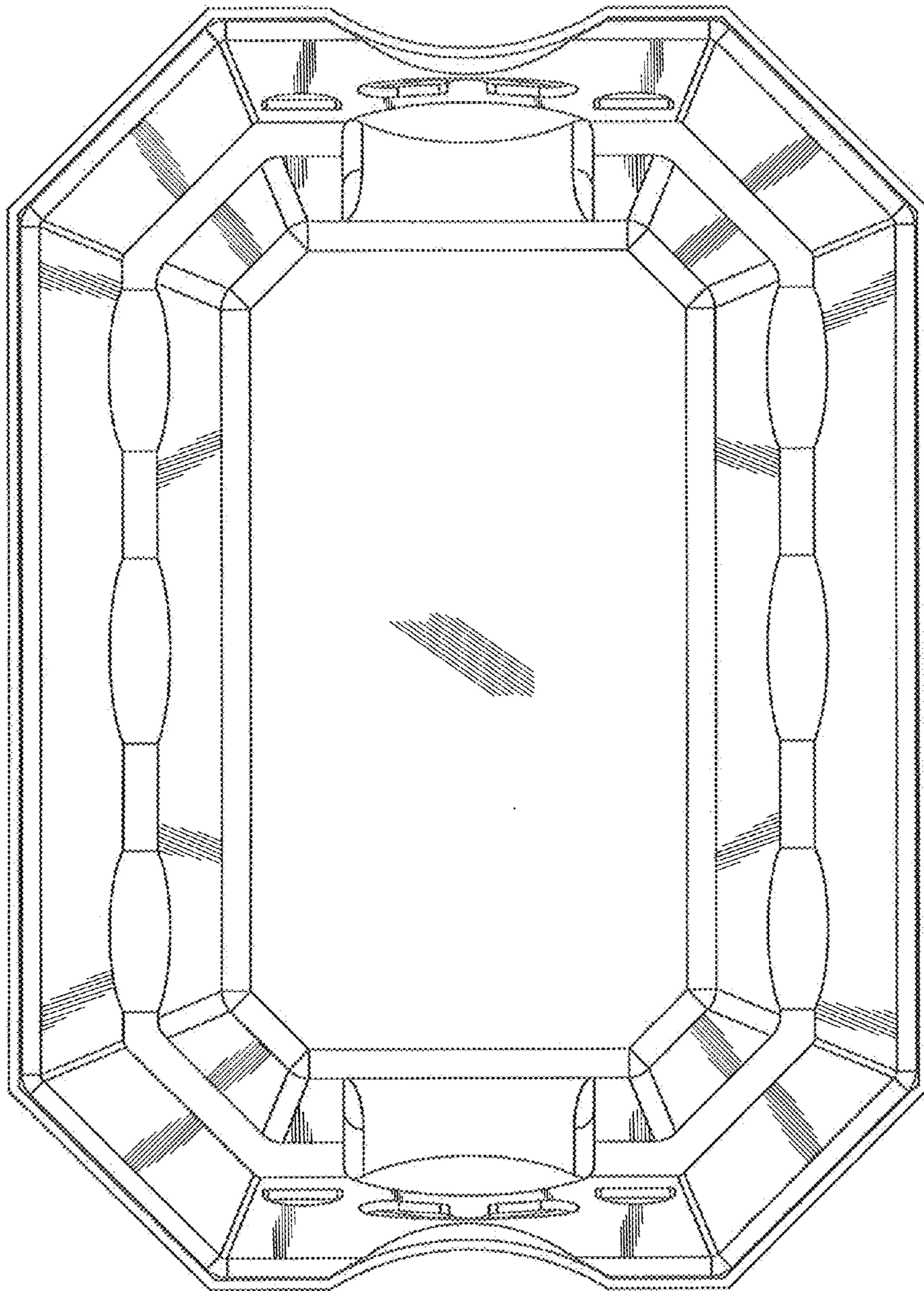


FIG. 5