

US00D715621S

(12) **United States Design Patent**
Davis et al.

(10) **Patent No.:** **US D715,621 S**

(45) **Date of Patent:** **** Oct. 21, 2014**

(54) **SET OF DOOR LOCK COMPONENTS**

(71) Applicants: **Austin Kelly Davis**, Houston, TX (US);
Penny Feltman Davis, Houston, TX
(US)

(72) Inventors: **Austin Kelly Davis**, Houston, TX (US);
Penny Feltman Davis, Houston, TX
(US)

(**) Term: **14 Years**

(21) Appl. No.: **29/437,246**

(22) Filed: **Nov. 14, 2012**

(51) **LOC (10) Cl.** **08-07**

(52) **U.S. Cl.**
USPC **D8/330**

(58) **Field of Classification Search**
USPC D8/330, 331, 336, 339, 340, 341, 342,
D8/343, 349, 354, 400; 70/3, 14, 57, 77,
70/91, 141, 142, 164, 224, 262, 431
See application file for complete search history.

(56) **References Cited**

U.S. PATENT DOCUMENTS

4,062,578 A * 12/1977 Chen 292/262
4,105,231 A * 8/1978 Huyssen 292/264
D319,964 S * 9/1991 Johns D8/344
5,193,866 A * 3/1993 Driskill et al. 292/292

5,551,739 A * 9/1996 Solis 292/264
D396,734 S * 8/1998 Koneke D30/108
D443,497 S * 6/2001 Johns D8/336
D479,792 S * 9/2003 Winocoor D8/331
D511,958 S * 11/2005 Mastrogiovanni D8/340

* cited by examiner

Primary Examiner — Prabhakar Deshmukh

(74) *Attorney, Agent, or Firm* — QuickPatents; Kevin Prince

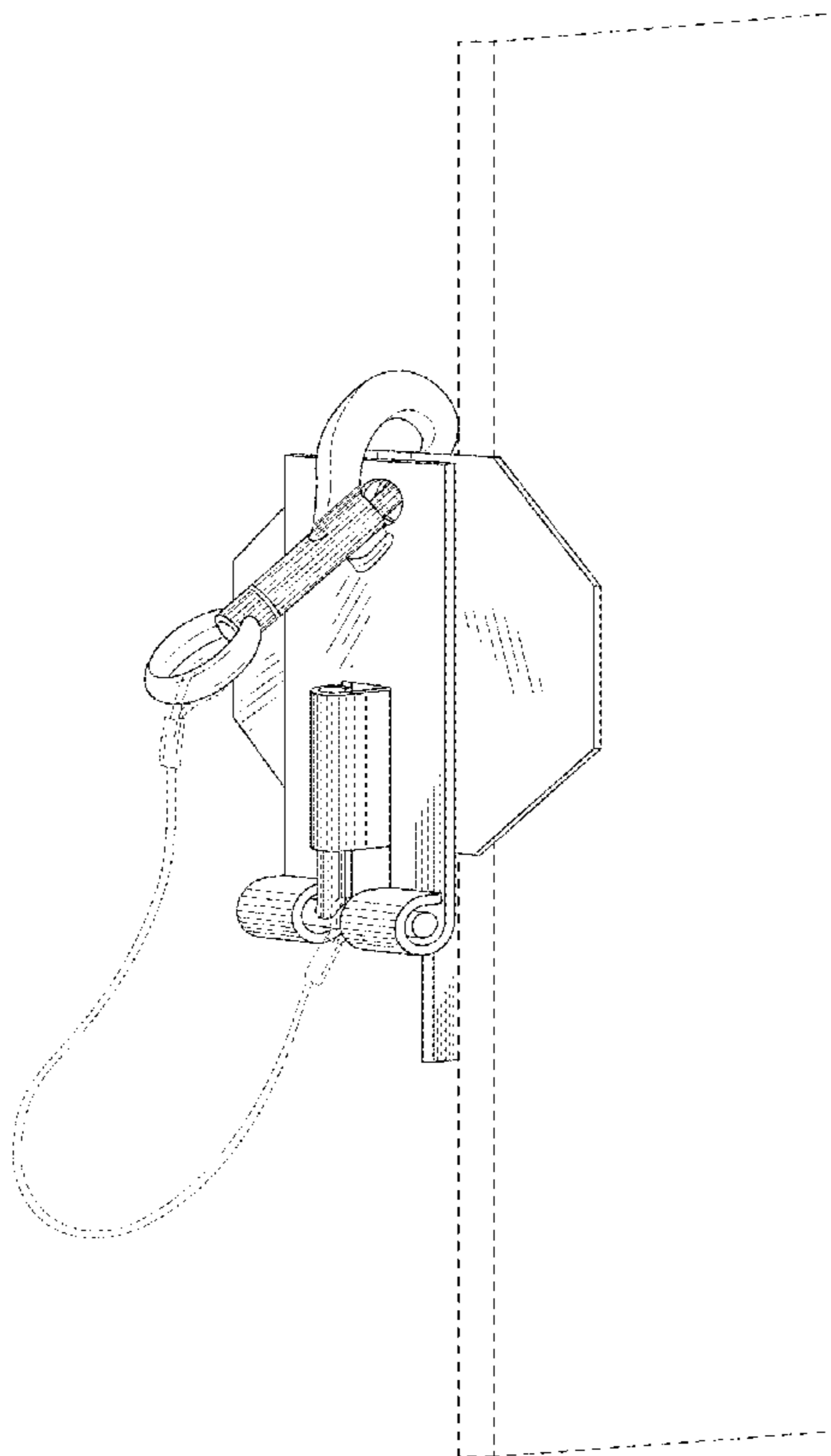
(57) **CLAIM**

The ornamental design for a set of door lock components, as shown and described.

DESCRIPTION

FIG. 1 is a perspective view of a set of door lock components showing our new design;
FIG. 2 is a perspective view thereof;
FIG. 3 is a front elevational view thereof;
FIG. 4 is a rear elevational view thereof;
FIG. 5 is a top plan view thereof;
FIG. 6 is a bottom plan view thereof;
FIG. 7 is a right side elevational view thereof; and,
FIG. 8 is a left side elevational view thereof.
FIGS. 2-8 disclose an exploded and enlarged scale views and do not show the exact sequential application of the elements, as shown in an assembled FIG. 1. The broken lines showing of a door and tether in FIG. 1 depict environmental matter and form no part of the claimed design.

1 Claim, 8 Drawing Sheets



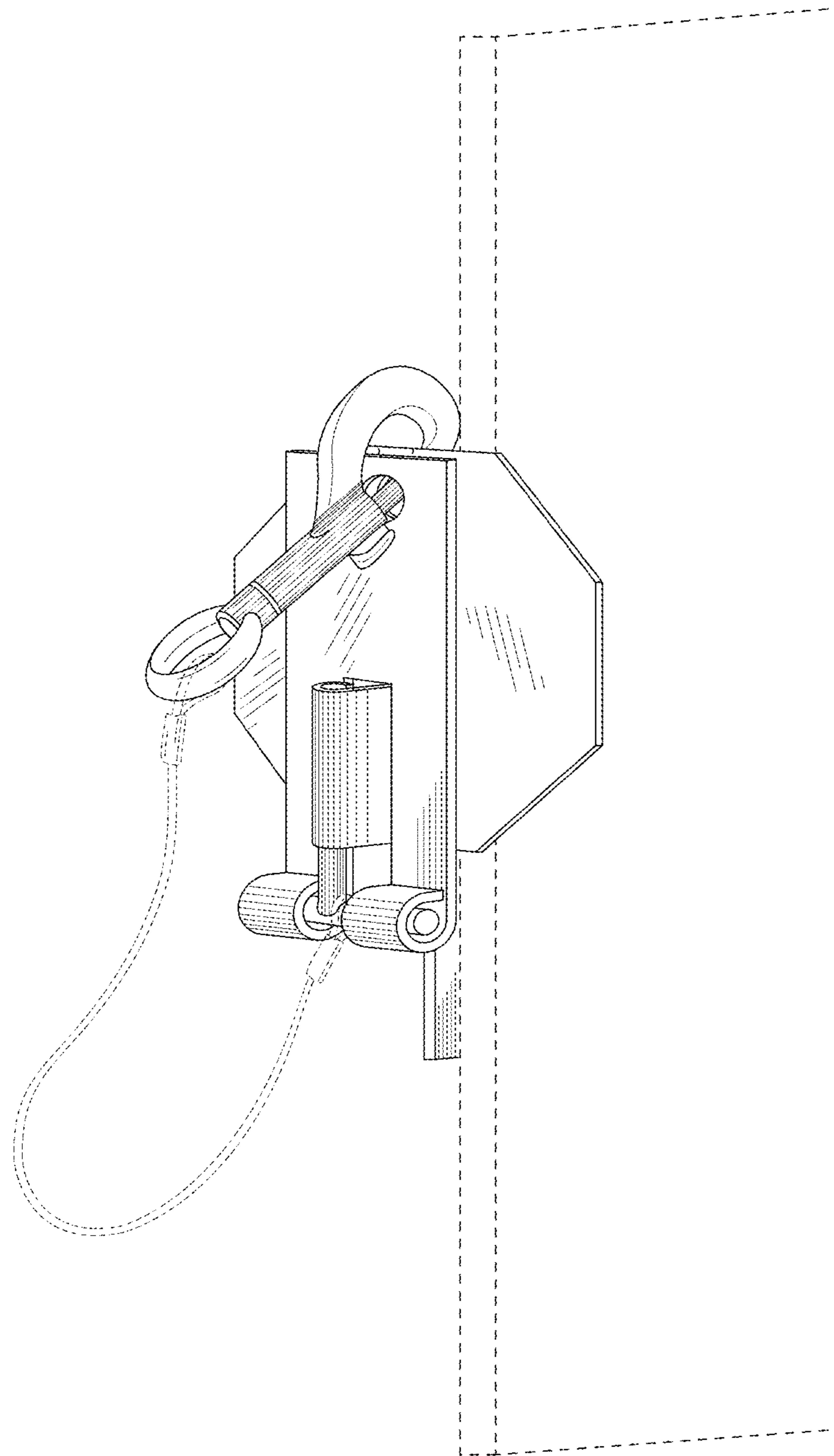


FIG. 1

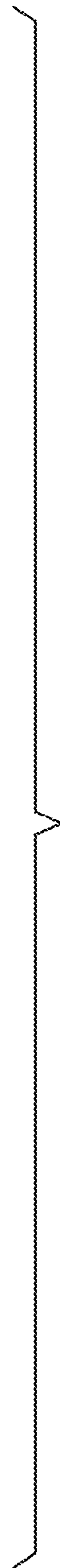
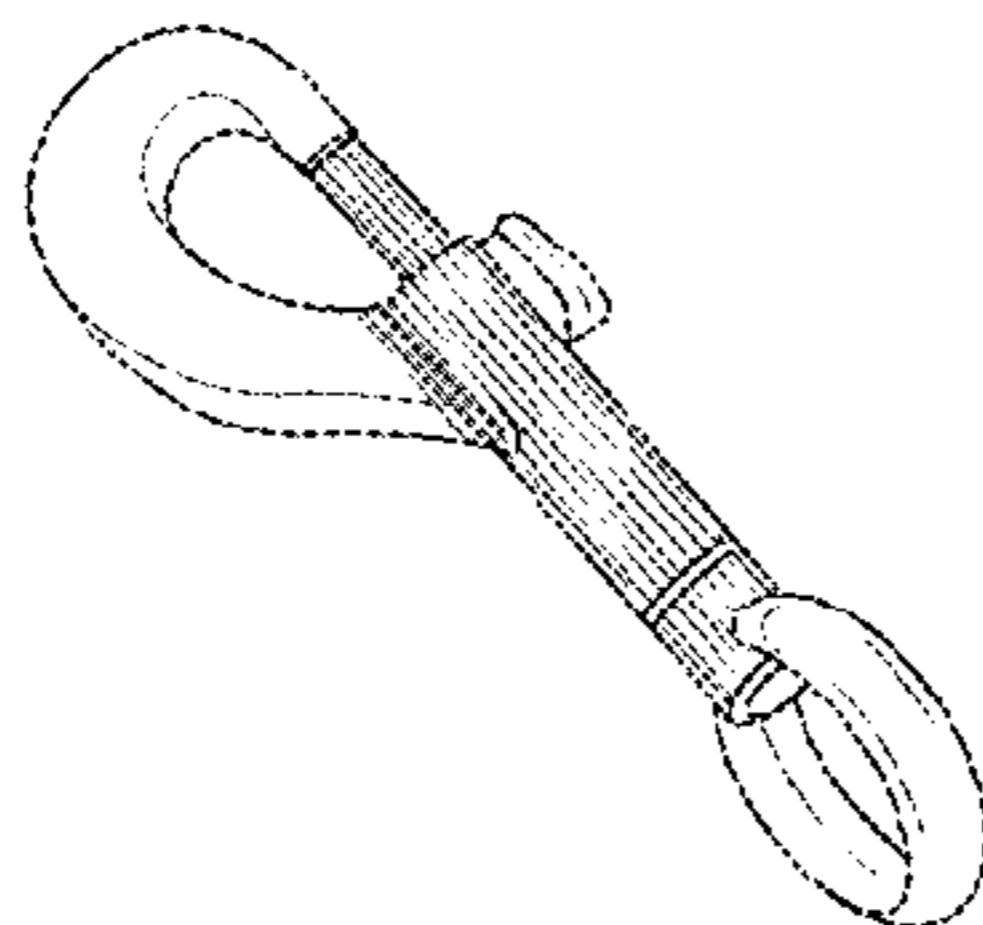
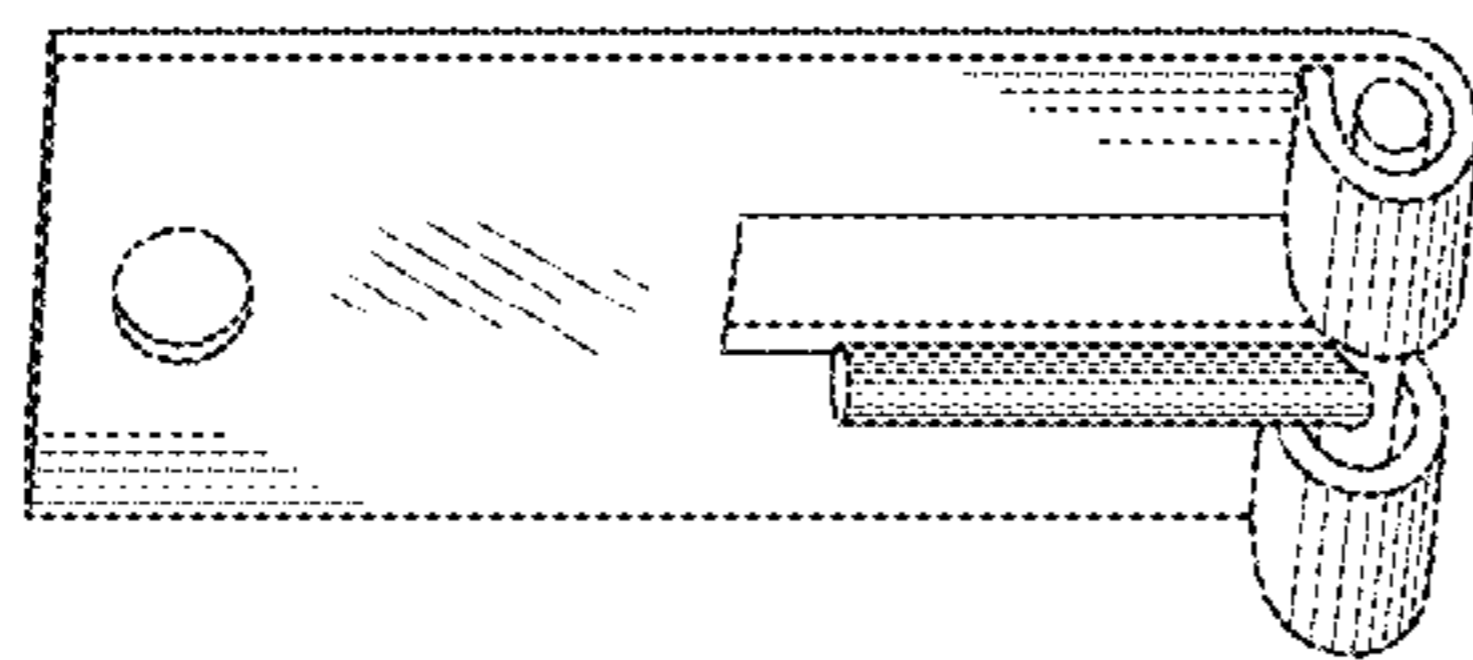
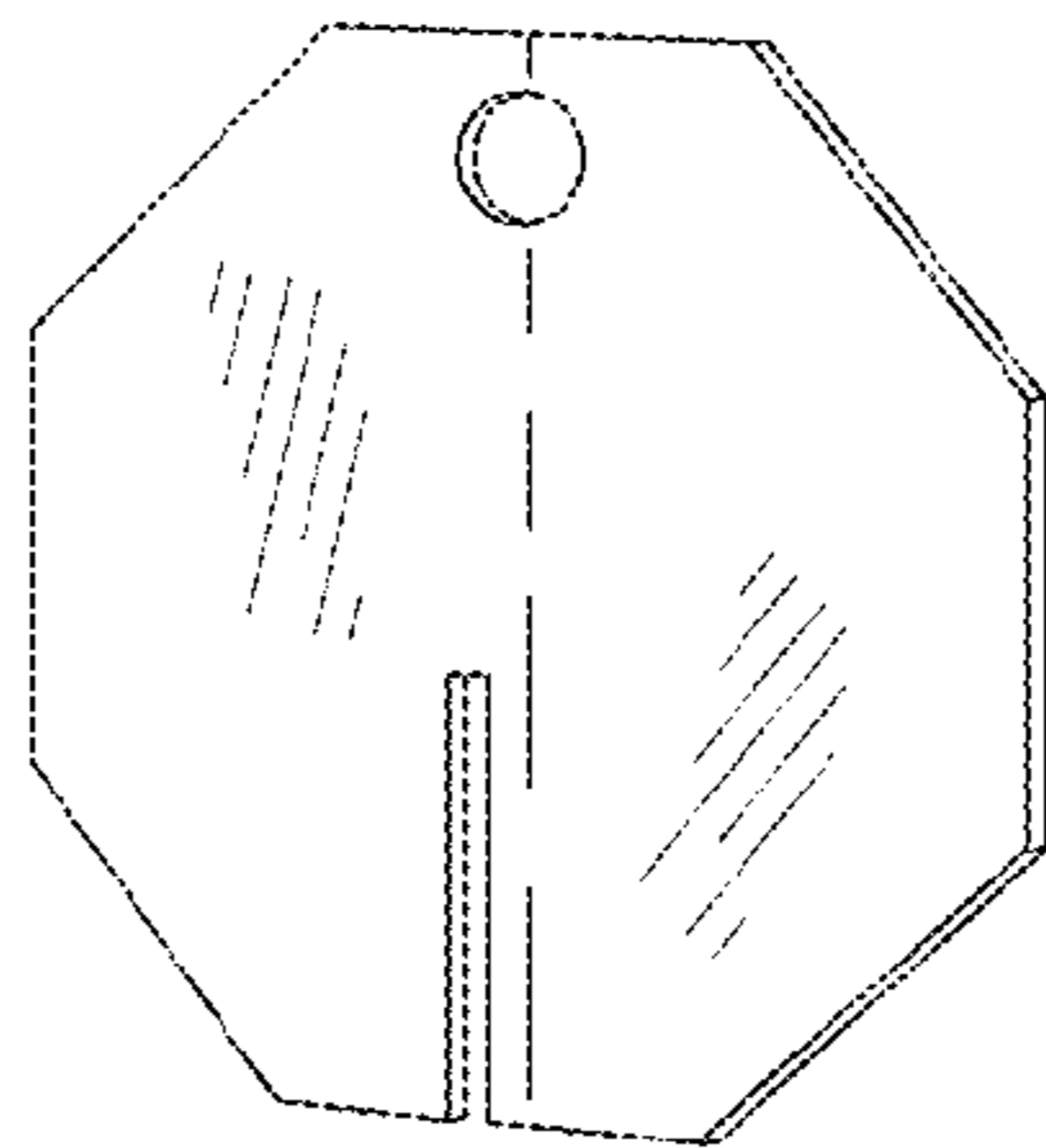
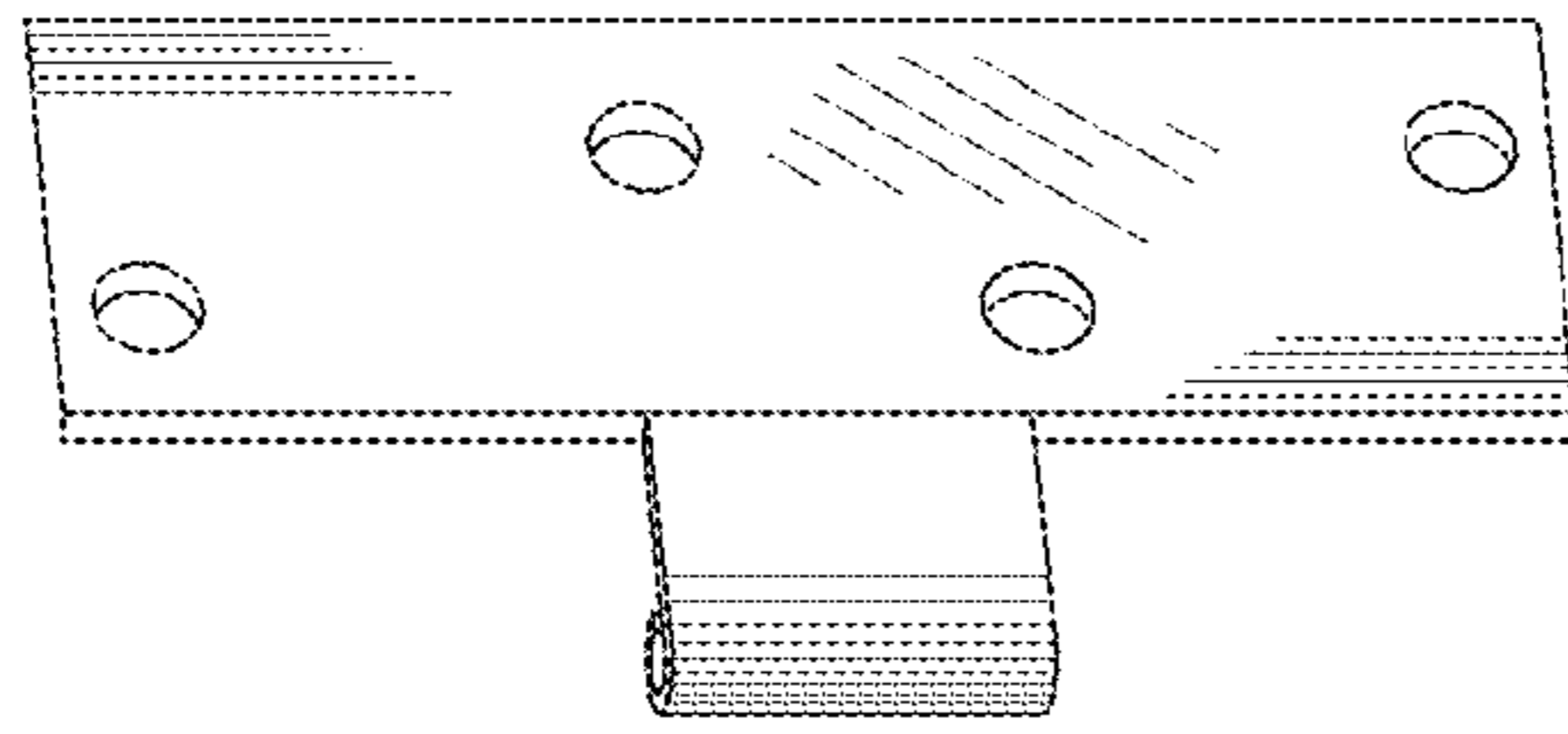


FIG. 2

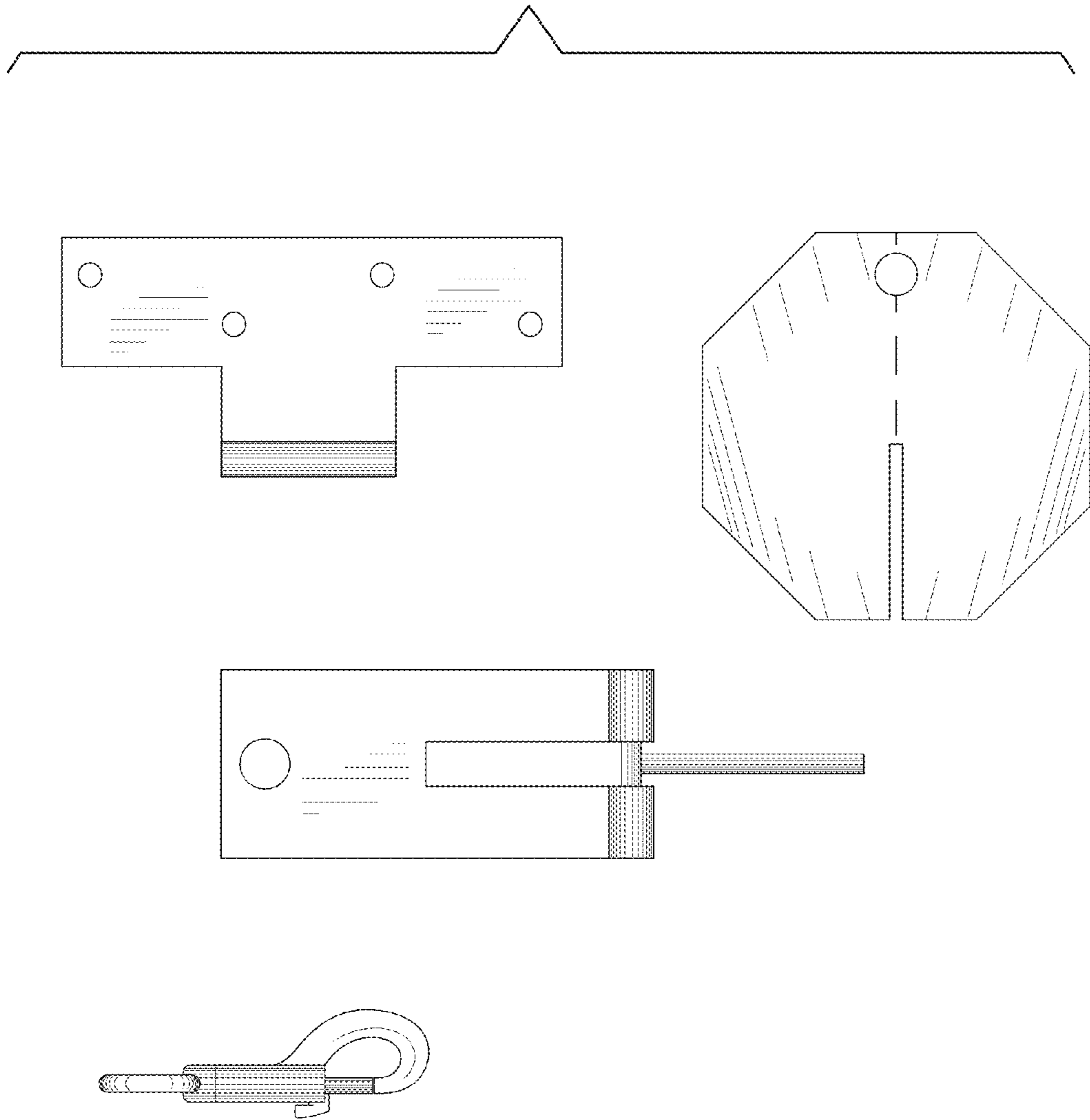


FIG. 3

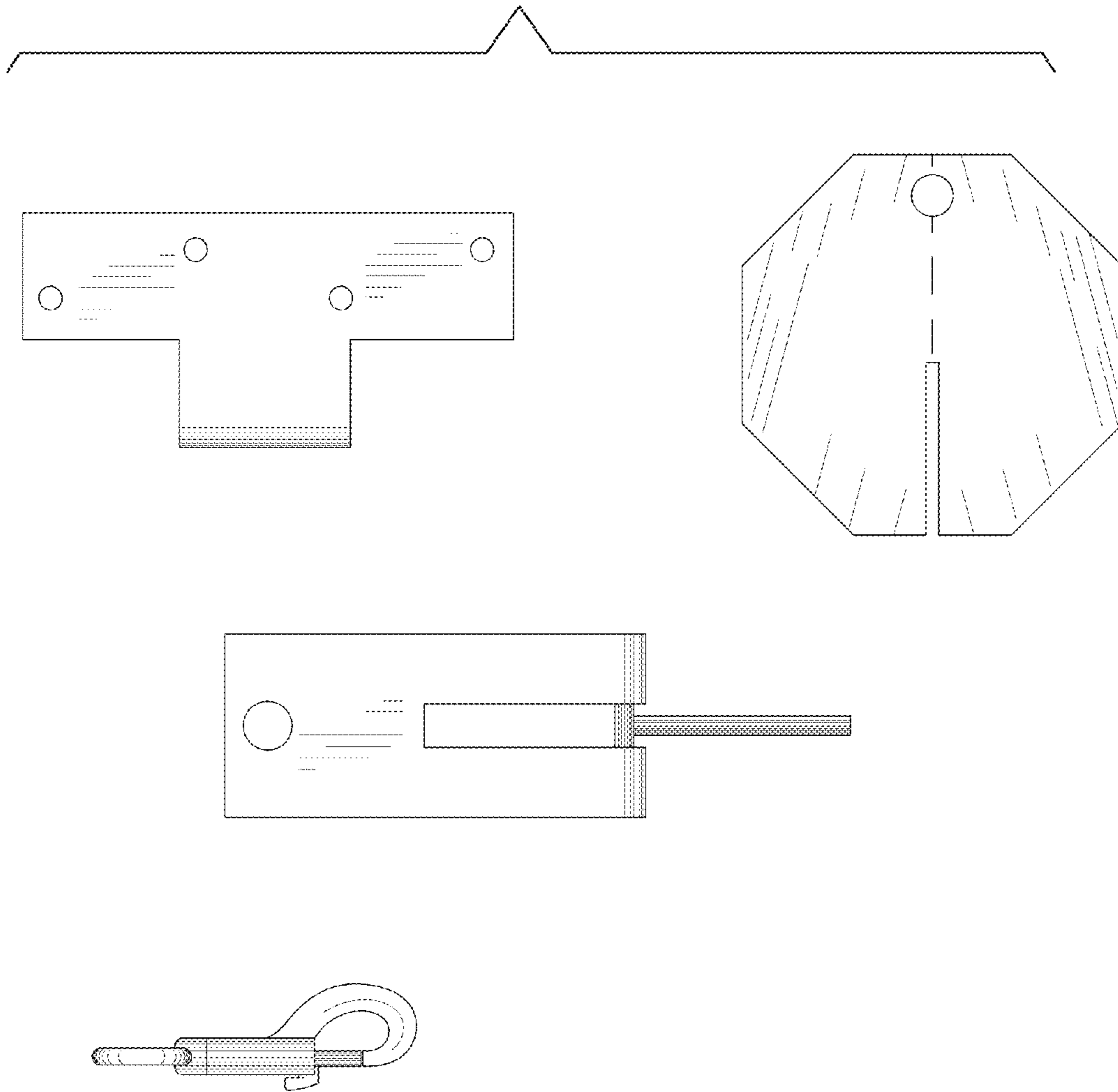


FIG. 4

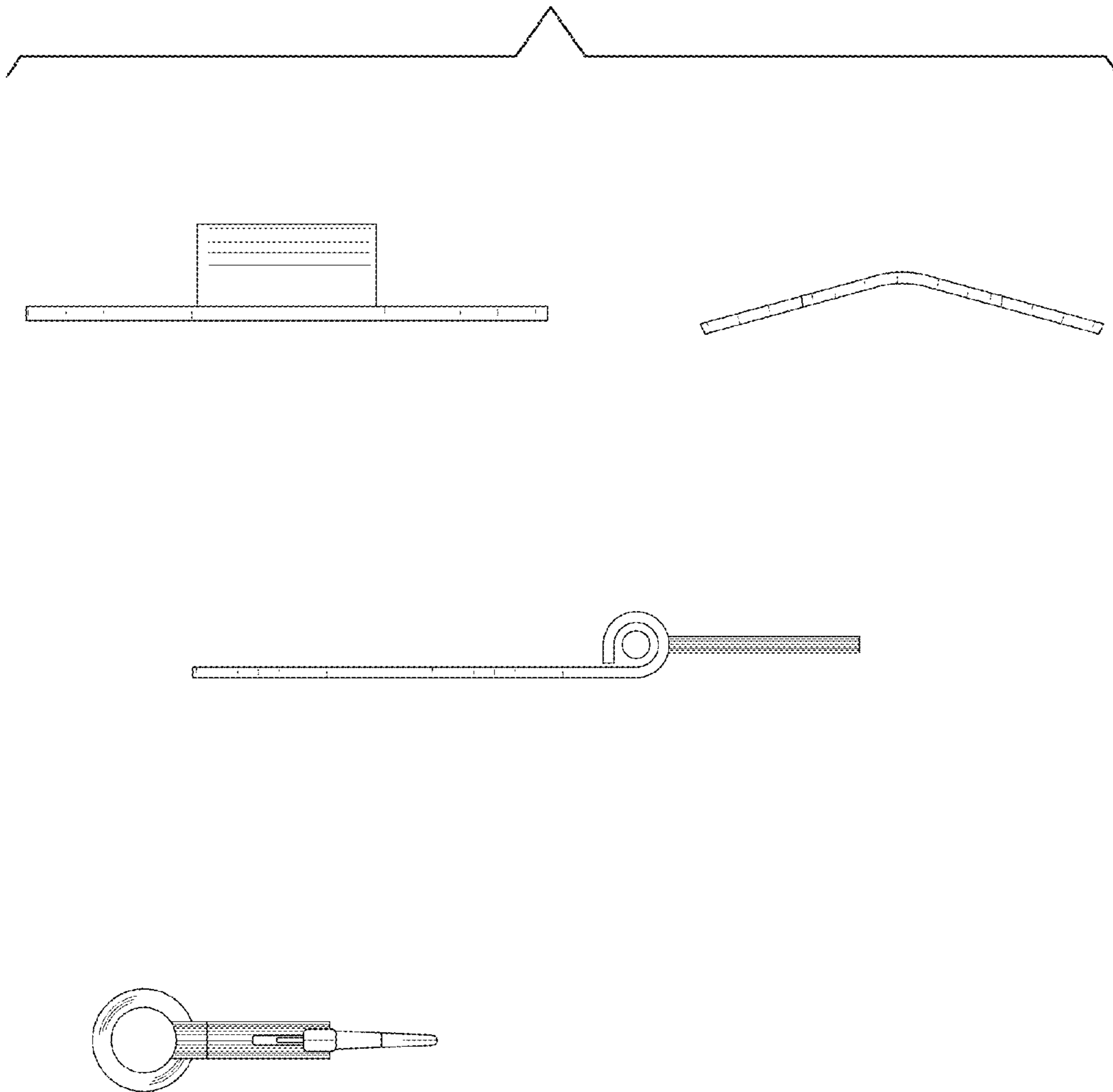


FIG. 5

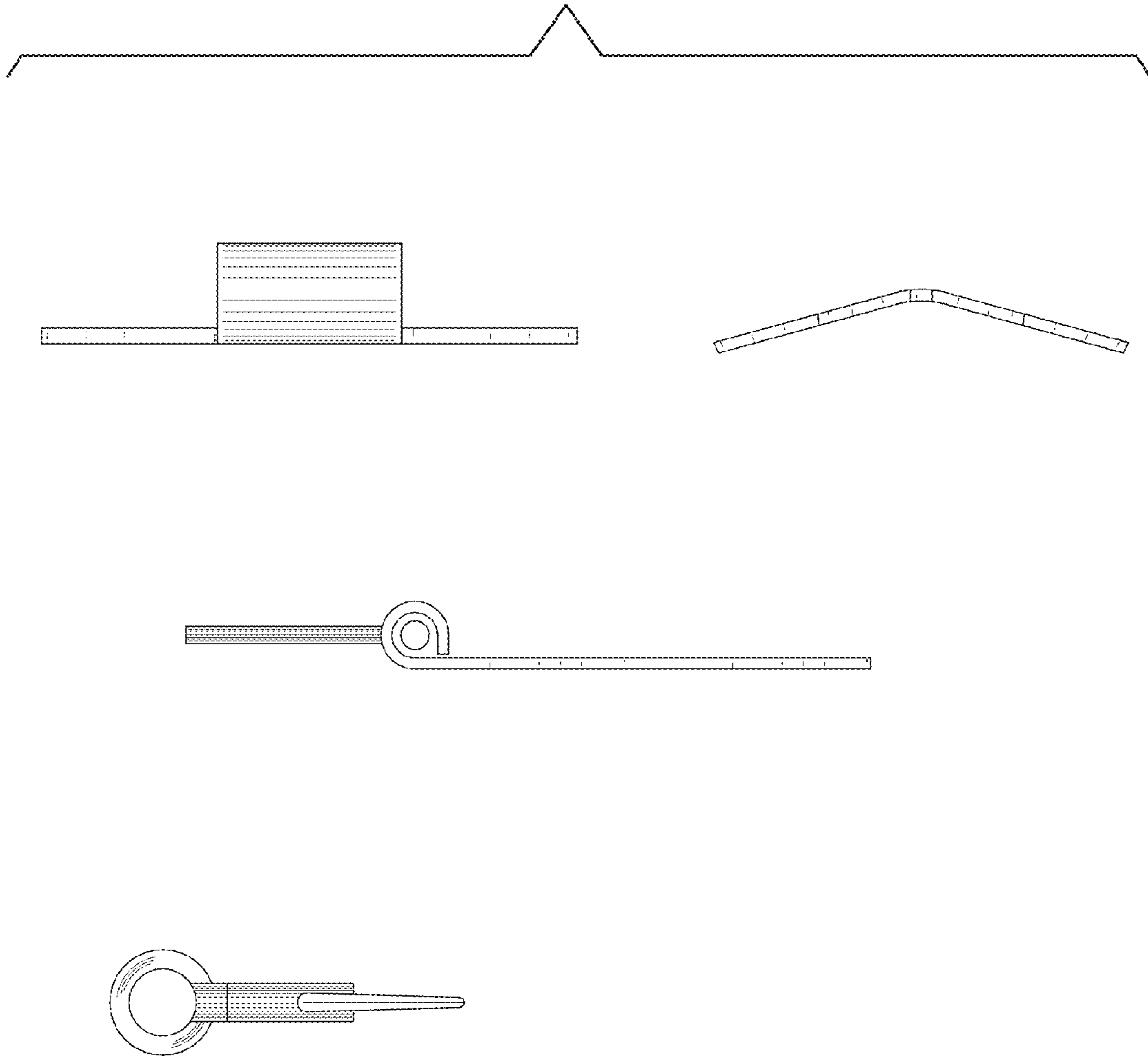


FIG. 6

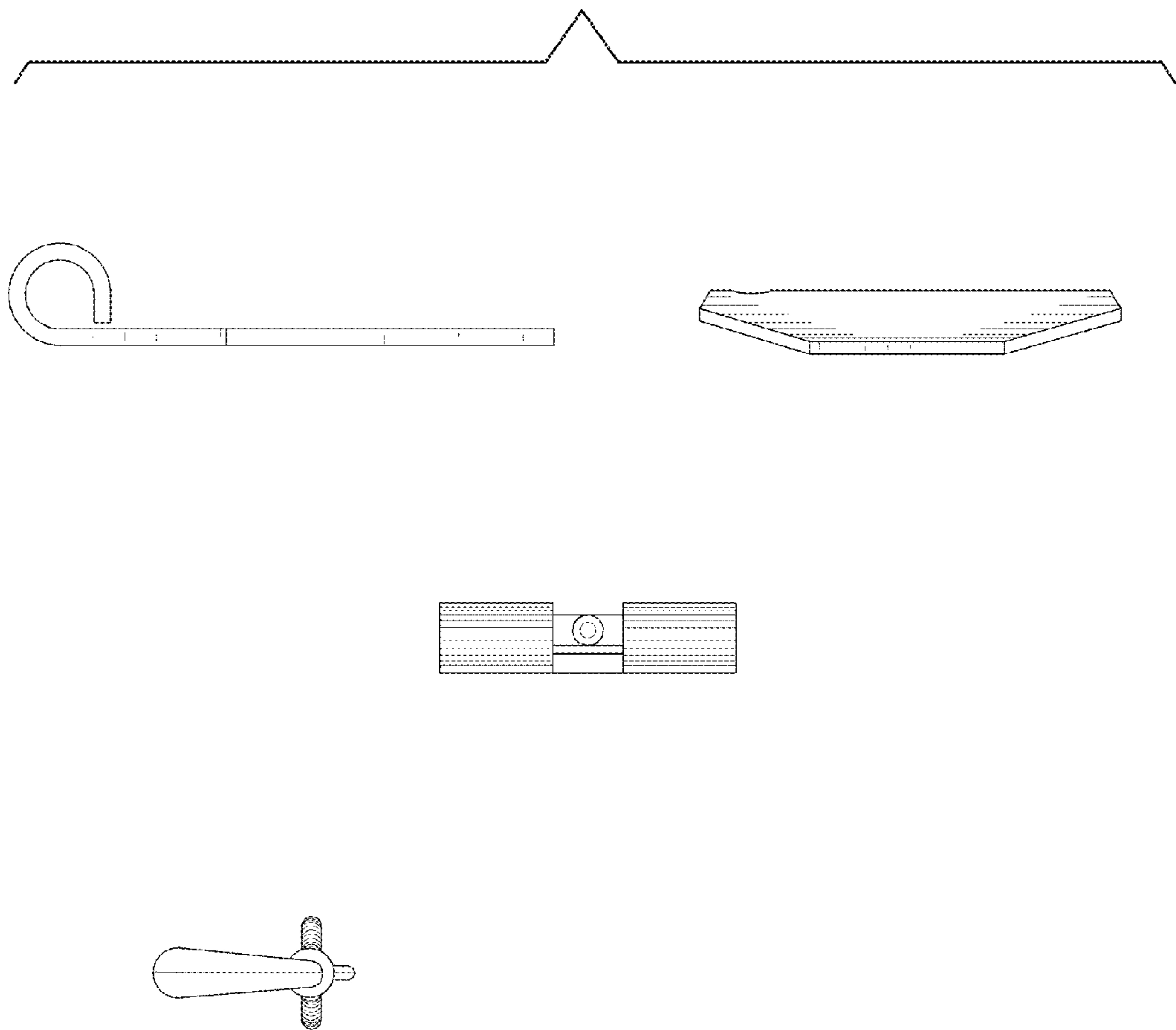


FIG. 7

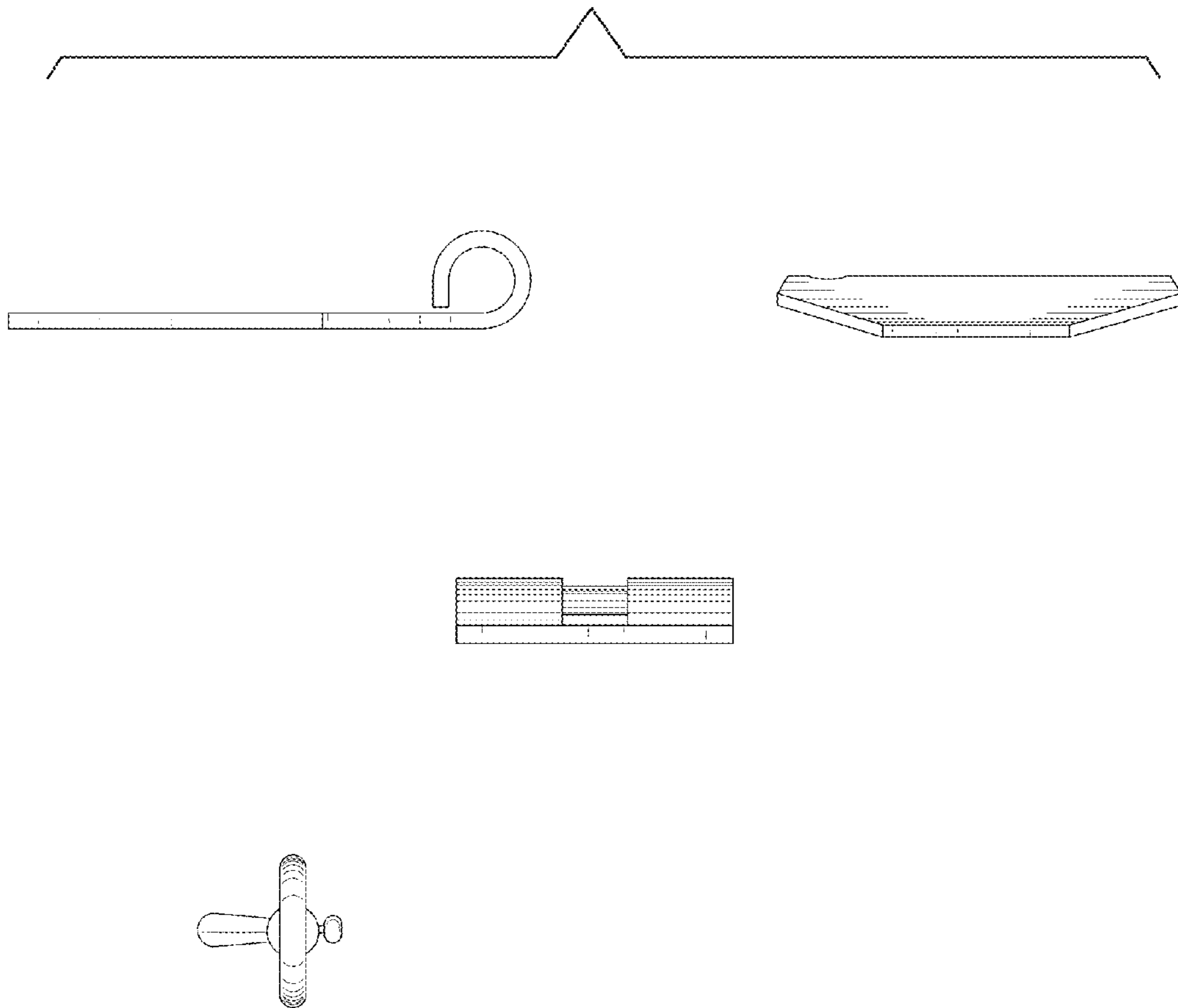


FIG. 8