



US00D715619S

(12) **United States Design Patent**  
**Fritz**

(10) **Patent No.:** **US D715,619 S**

(45) **Date of Patent:** **\*\* Oct. 21, 2014**

- (54) **DRAWER PULL**
- (71) Applicant: **Masco Corporation of Indiana,**  
Indianapolis, IN (US)
- (72) Inventor: **Seth Fritz,** Carmel, IN (US)
- (73) Assignee: **Masco Corporation of Indiana,**  
Indianapolis, IN (US)
- (\*\*) Term: **14 Years**
- (21) Appl. No.: **29/484,728**
- (22) Filed: **Mar. 12, 2014**
- (51) **LOC (10) Cl.** ..... **08-06**
- (52) **U.S. Cl.**  
USPC ..... **D8/306; D8/311**
- (58) **Field of Classification Search**  
USPC ..... D8/300–303, 305–312, 321, DIG. 2;  
D7/402, 405, 393; 74/553, 548, 558.5;  
116/309, 315, 311, 312, 319, 320;  
200/316, 336; 345/156; 16/441, 110 R,  
16/114 R, 121, 118, 414  
See application file for complete search history.

- D211,940 S \* 8/1968 Aleks ..... D8/307
- D225,721 S \* 1/1973 Watt, Jr. .... D8/307
- D231,319 S \* 4/1974 James ..... D8/320
- D246,421 S \* 11/1977 Ridgway et al. .... D8/306
- D246,422 S \* 11/1977 Clayton ..... D8/307
- D246,689 S \* 12/1977 Clayton ..... D8/307
- D256,860 S \* 9/1980 Ryan et al. .... D6/523
- D256,863 S \* 9/1980 Ryan et al. .... D6/546
- D283,977 S \* 5/1986 Kunzler ..... D8/301
- D379,915 S \* 6/1997 Ball et al. .... D8/306
- D402,468 S \* 12/1998 Killins ..... D3/315
- D456,237 S \* 4/2002 Sokurenko et al. .... D8/307
- D469,331 S \* 1/2003 Hansen ..... D8/306
- D523,726 S \* 6/2006 Weinerman et al. .... D8/307
- D532,675 S \* 11/2006 Weinerman et al. .... D8/331
- D573,003 S \* 7/2008 Bogdan ..... D8/316
- D574,213 S \* 8/2008 Linares ..... D8/306
- D581,243 S \* 11/2008 Gulley ..... D8/306
- D585,468 S \* 1/2009 Burns ..... D15/142
- D597,817 S \* 8/2009 Menzies ..... D8/306
- D625,574 S \* 10/2010 Burns ..... D8/306

\* cited by examiner

*Primary Examiner* — Mark Goodwin  
(74) *Attorney, Agent, or Firm* — Edgar A. Zarins; Nitrav D. Parikh

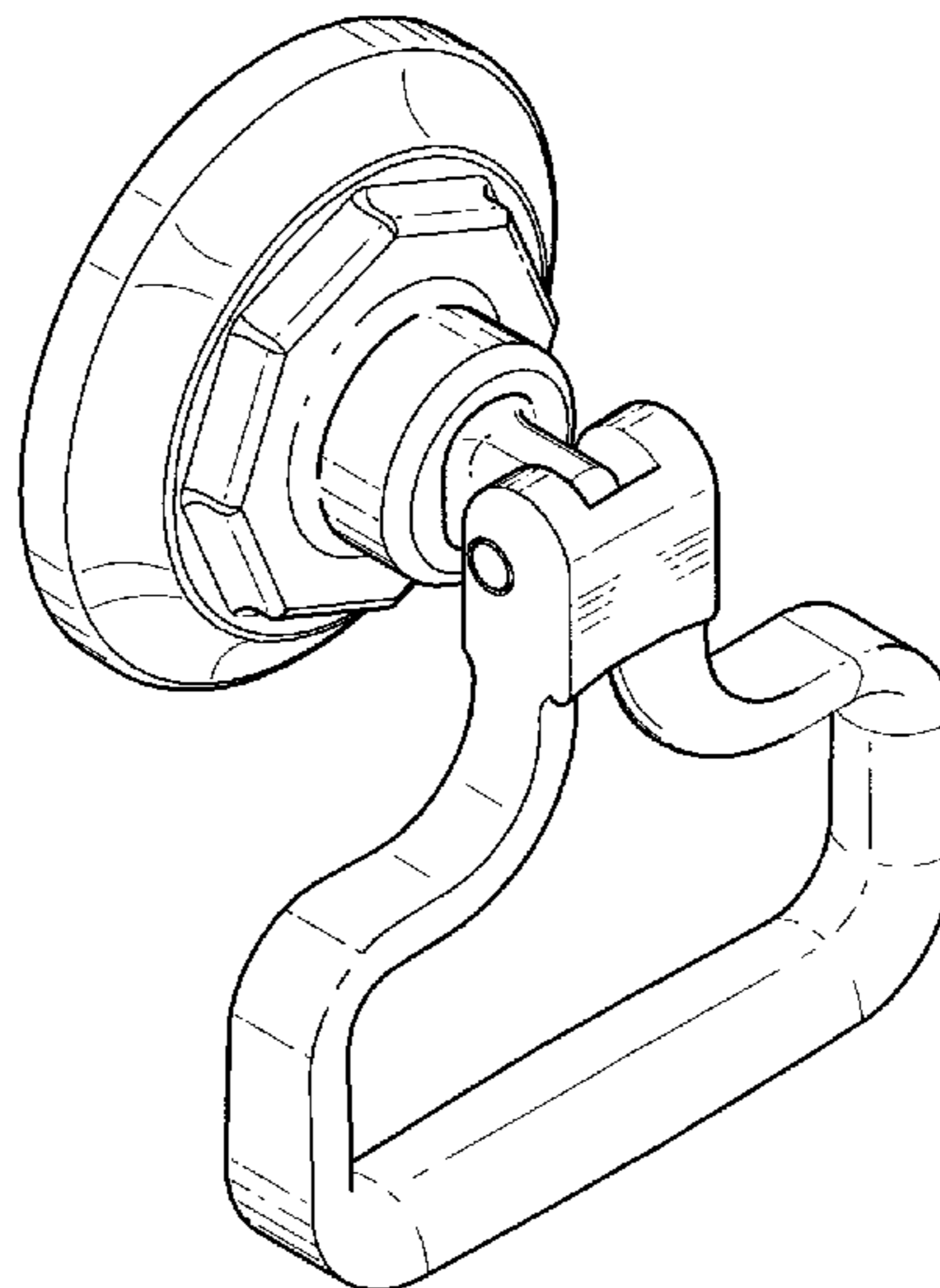
(57) **CLAIM**  
The ornamental design for a drawer pull, as shown and described.

**DESCRIPTION**

FIG. 1 is a perspective view of a drawer pull showing my new design;  
FIG. 2 is a top plan view thereof;  
FIG. 3 is a left side view thereof, the opposite side being a mirror image of the side shown;  
FIG. 4 is a rear view thereof; and,  
FIG. 5 is a bottom view thereof.

**1 Claim, 2 Drawing Sheets**

- (56) **References Cited**  
U.S. PATENT DOCUMENTS
- D7,470 S \* 6/1874 Biraid ..... D8/306
- D85,498 S \* 11/1931 Teller ..... D8/306
- D119,418 S \* 3/1940 Anderson et al. .... D8/306
- D151,373 S \* 10/1948 Kendall ..... D8/306
- D151,689 S \* 11/1948 Gane ..... D8/306
- D152,829 S \* 2/1949 Rummelsburg ..... D8/306
- D158,874 S \* 6/1950 Levine ..... D8/306
- D170,724 S \* 10/1953 Stahl ..... D8/301
- D193,768 S \* 10/1962 Hazenberg ..... D8/306
- D200,762 S \* 4/1965 Sanders ..... D8/311



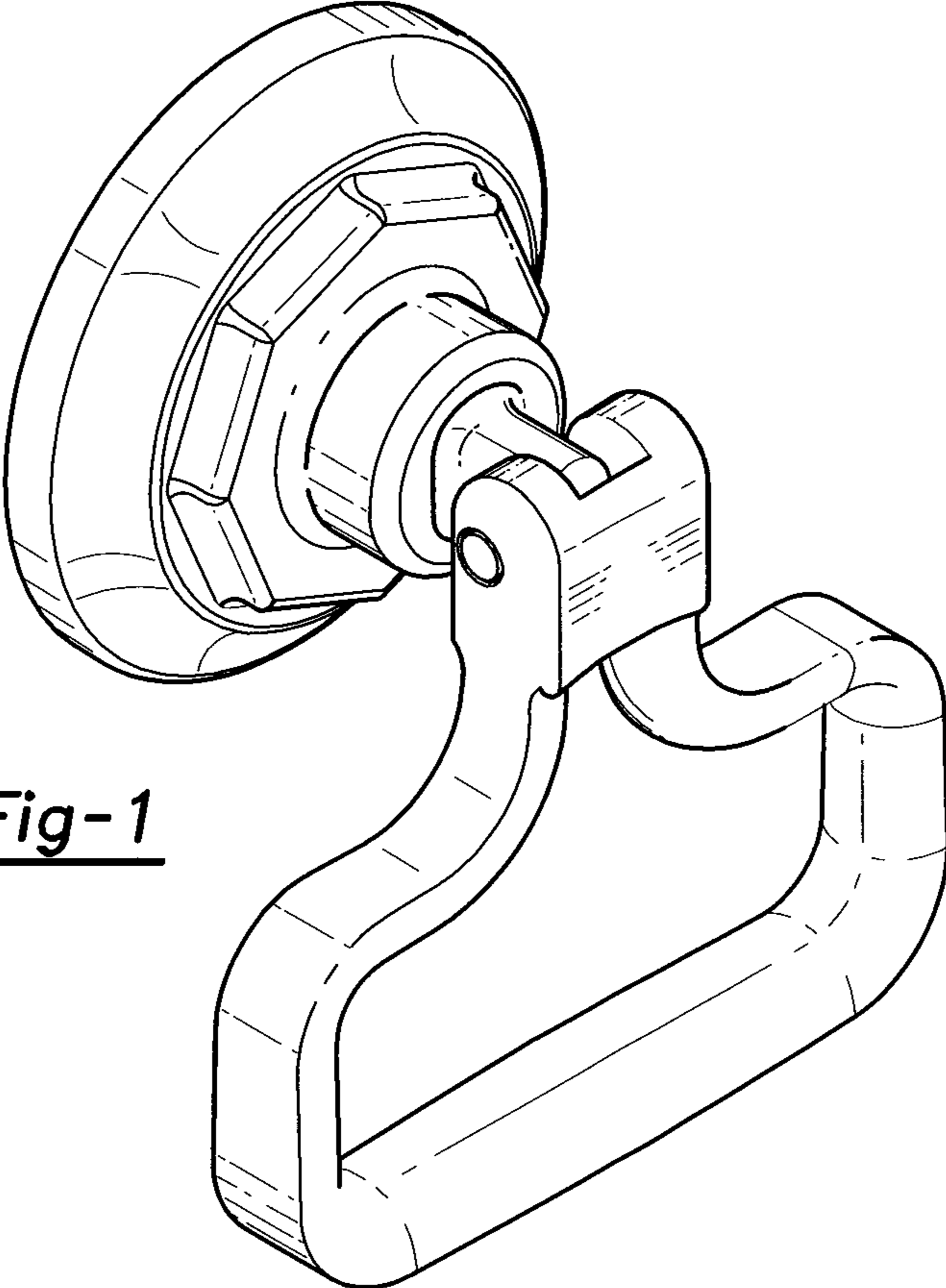


Fig-1

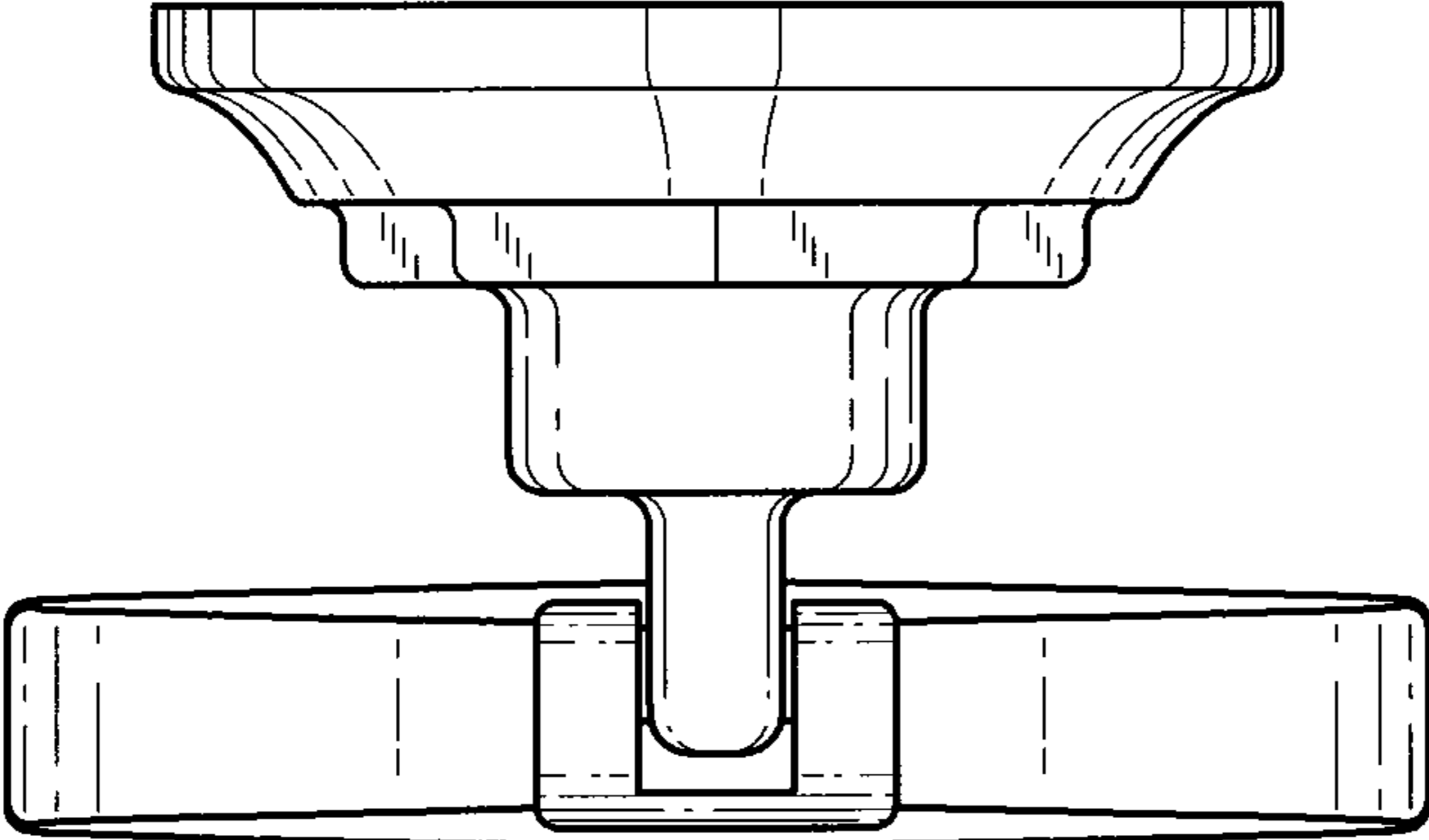


Fig-2

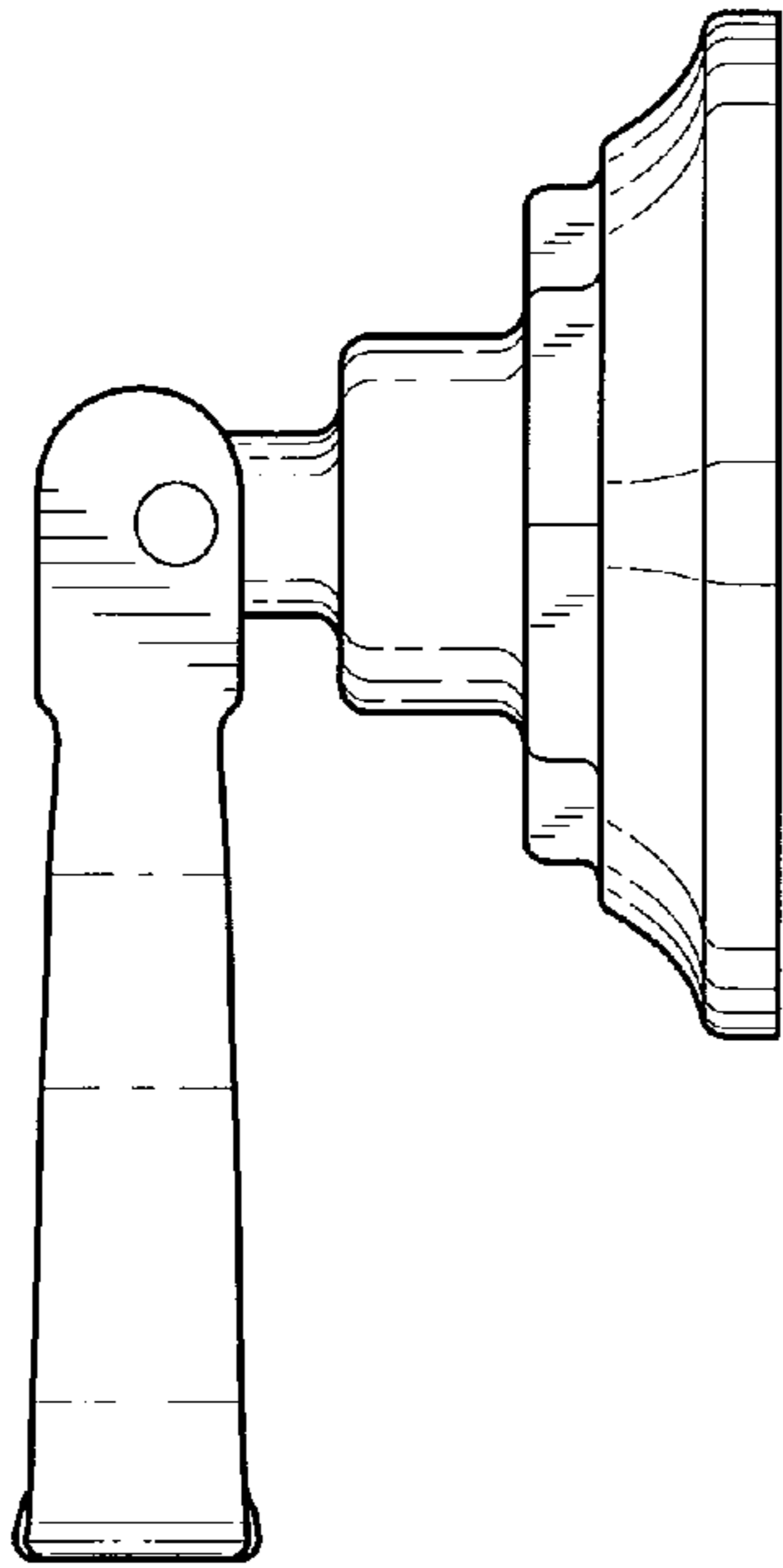


Fig-3

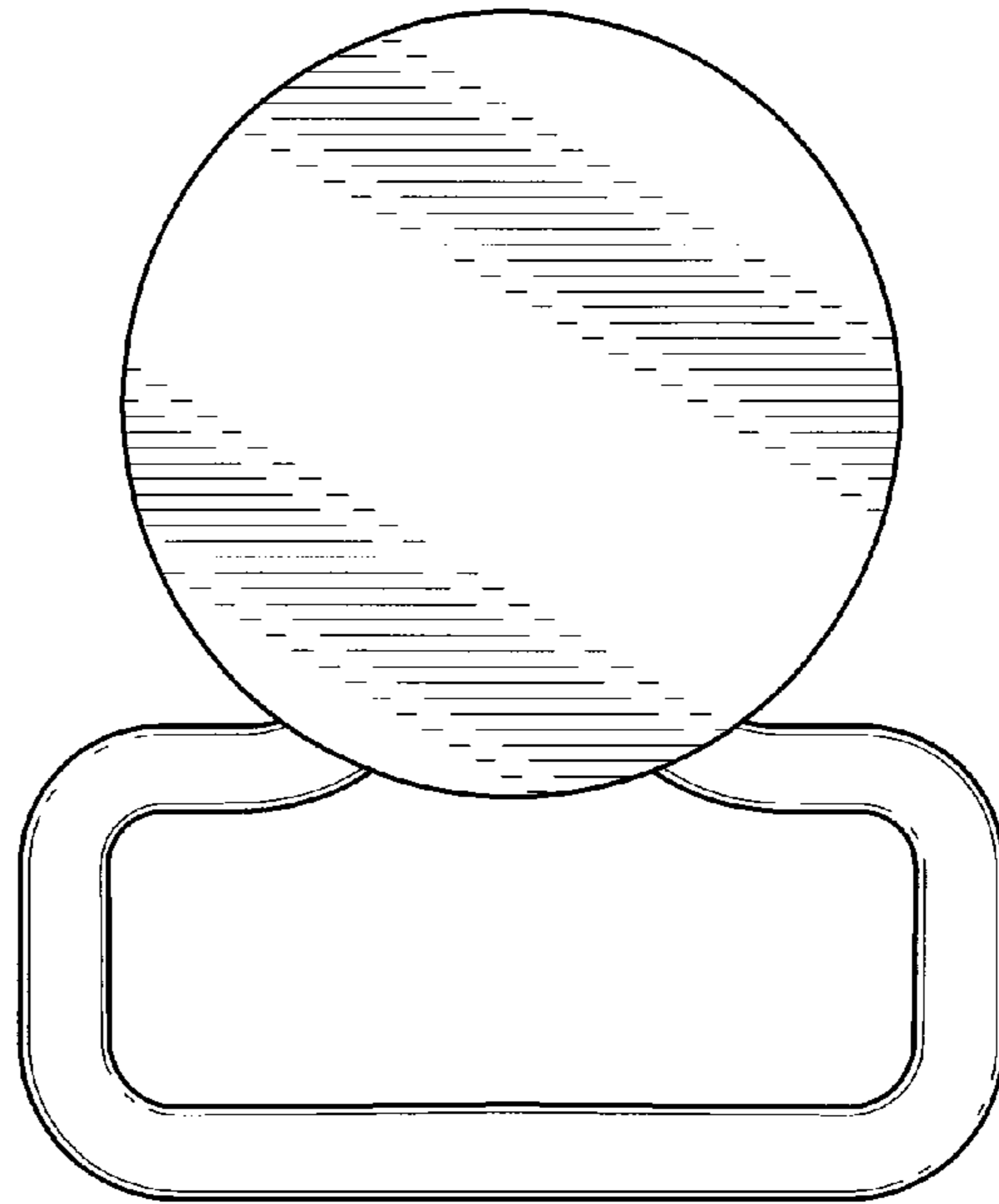


Fig-4

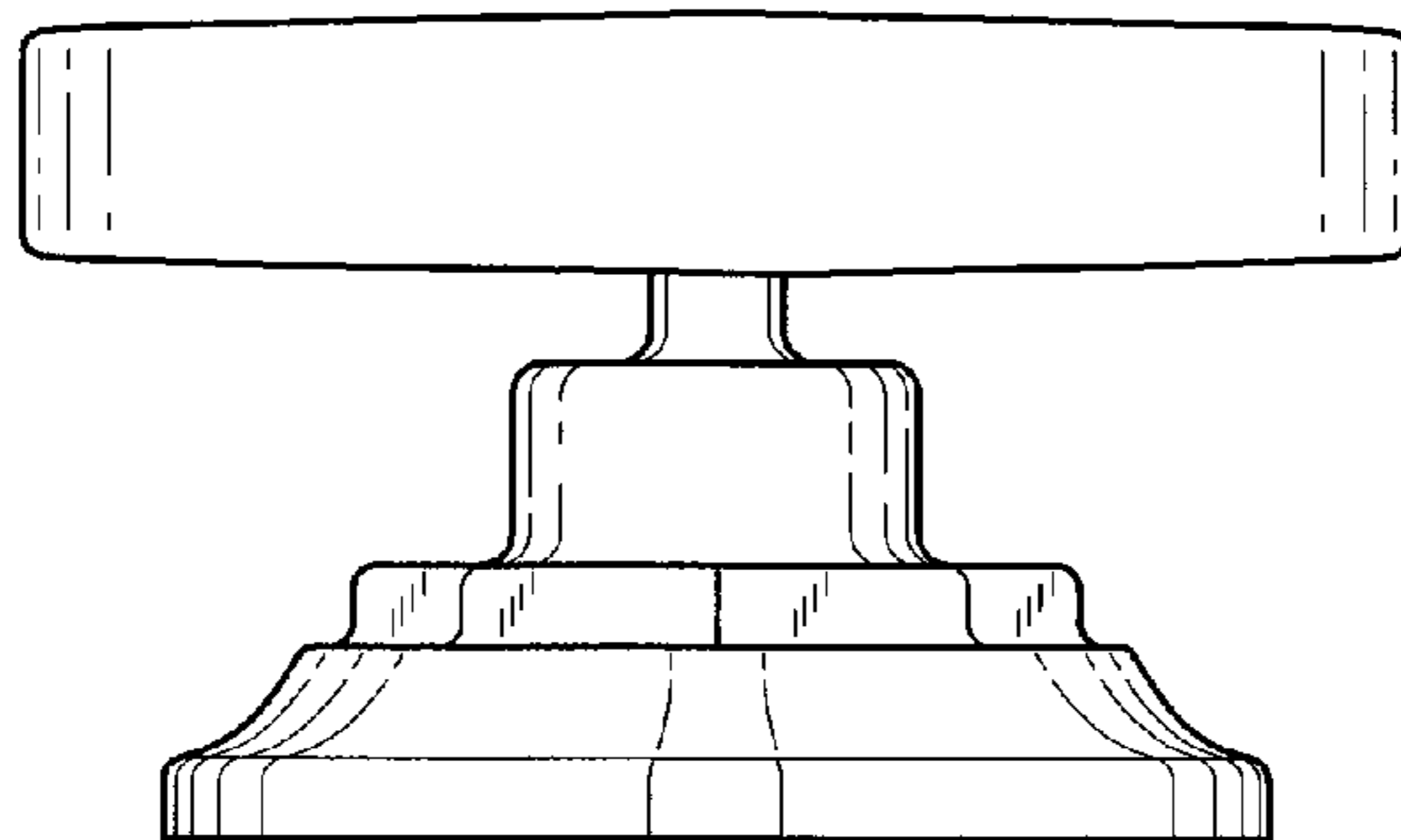


Fig-5