



US00D715615S

(12) **United States Design Patent**
Nagy et al.

(10) **Patent No.:** **US D715,615 S**
(45) **Date of Patent:** **** Oct. 21, 2014**

(54) **POWER TOOL**

(71) Applicants: **Robert Bosch Tool Corporation**,
Broadview, IL (US); **Robert Bosch GmbH**,
Stuttgart (DE)

(72) Inventors: **Balazs Nagy**, Mount Prospect, IL (US);
Dena Nejad, Mount Prospect, IL (US);
Adam Erwin, Chicago, IL (US)

(73) Assignee: **Robert Bosch GmbH**, Stuttgart (DE)

(**) Term: **14 Years**

(21) Appl. No.: **29/483,638**

(22) Filed: **Feb. 28, 2014**

(51) **LOC (10) Cl.** **08-01**

(52) **U.S. Cl.**
USPC **D8/61**

(58) **Field of Classification Search**
CPC B25B 21/02; B25B 21/008; B25B 23/16;
B25B 23/1405; A61B 17/1615
USPC D8/61, 62, 67, 69; 81/57, 57.11, 57.14,
81/57.26, 429, 464, 469; 173/2, 170, 176,
173/181
See application file for complete search history.

(56) **References Cited**

U.S. PATENT DOCUMENTS

D427,040 S *	6/2000	Heun	D8/61
D427,870 S *	7/2000	Heun	D8/61
D437,758 S *	2/2001	Heun	D8/61
D446,431 S *	8/2001	Lui	D8/61
D469,671 S *	2/2003	Prell et al.	D8/61
D470,374 S *	2/2003	Murray	D8/61
D477,202 S *	7/2003	Duennes	D8/61
D477,510 S *	7/2003	Duennes	D8/61

D510,848 S *	10/2005	Singh et al.	D8/61
D556,000 S *	11/2007	Singh et al.	D8/61
D558,015 S *	12/2007	Aglassinger	D8/61
D565,916 S *	4/2008	Chen	D8/61
D580,722 S *	11/2008	Chi	D8/61
D586,195 S *	2/2009	Okuda	D8/61
D618,079 S *	6/2010	Blythe et al.	D8/61
D634,998 S *	3/2011	Garfield et al.	D8/61
D663,180 S *	7/2012	Jerome et al.	D8/61
D677,540 S *	3/2013	Meyers et al.	D8/61

* cited by examiner

Primary Examiner — Austin Murphy

(74) *Attorney, Agent, or Firm* — Maginot, Moore & Beck

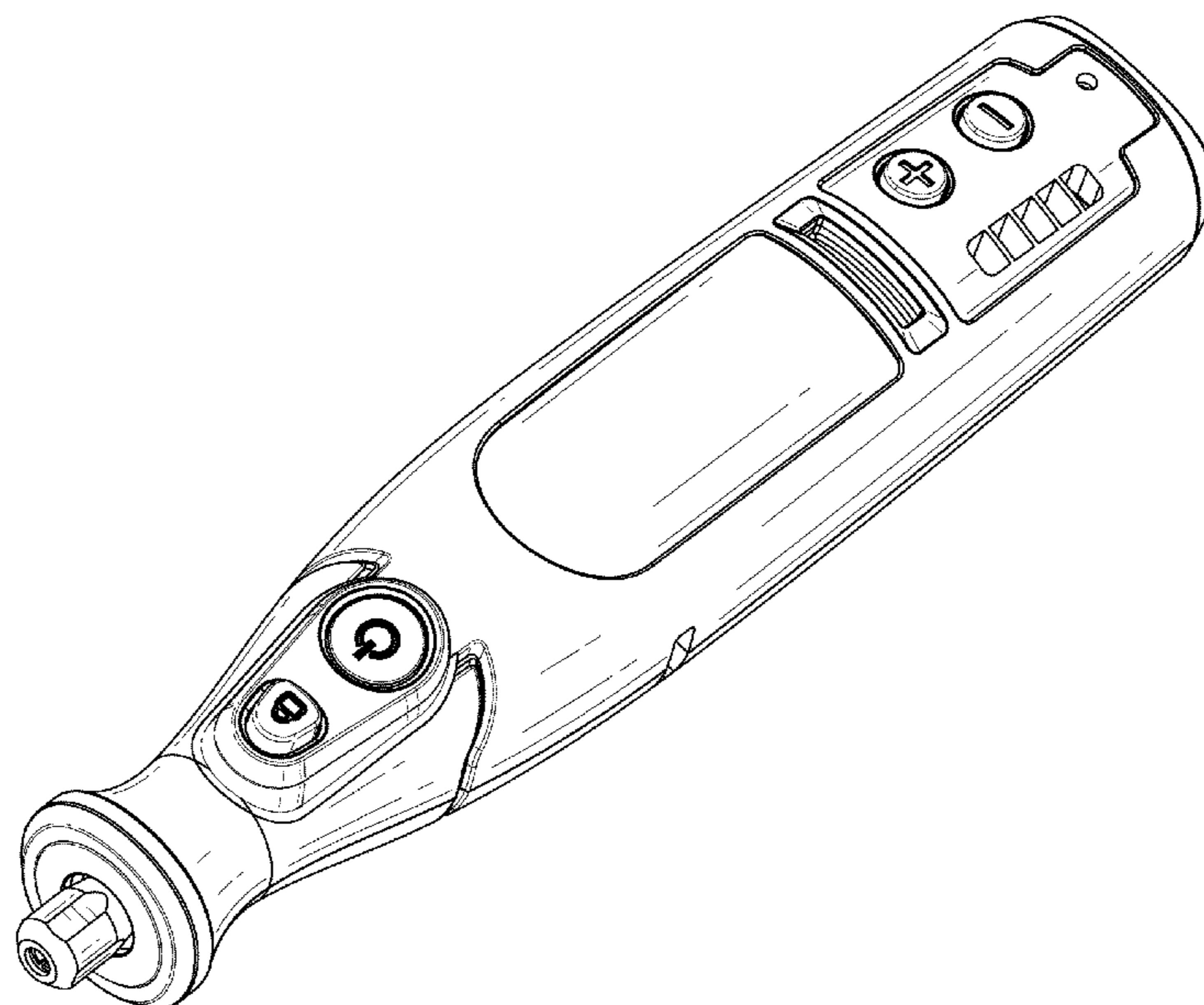
(57) **CLAIM**

The ornamental design for a power tool, as shown and described.

DESCRIPTION

FIG. 1 is a front perspective view of a power tool showing our new design;
FIG. 2 is a left side elevational view showing the design for the power tool of FIG. 1;
FIG. 3 is a right side elevational view showing the design for the power tool of FIG. 1;
FIG. 4 is a front elevational view showing the design for the power tool of FIG. 1;
FIG. 5 is a rear elevational view showing the design for the power tool of FIG. 1;
FIG. 6 is a top plan view showing the design for the power tool of FIG. 1; and,
FIG. 7 is a bottom plan view showing the design for the power tool of FIG. 1.
The broken lines shown in the figures illustrate portions of the power tool that form no part of the claimed design.

1 Claim, 5 Drawing Sheets



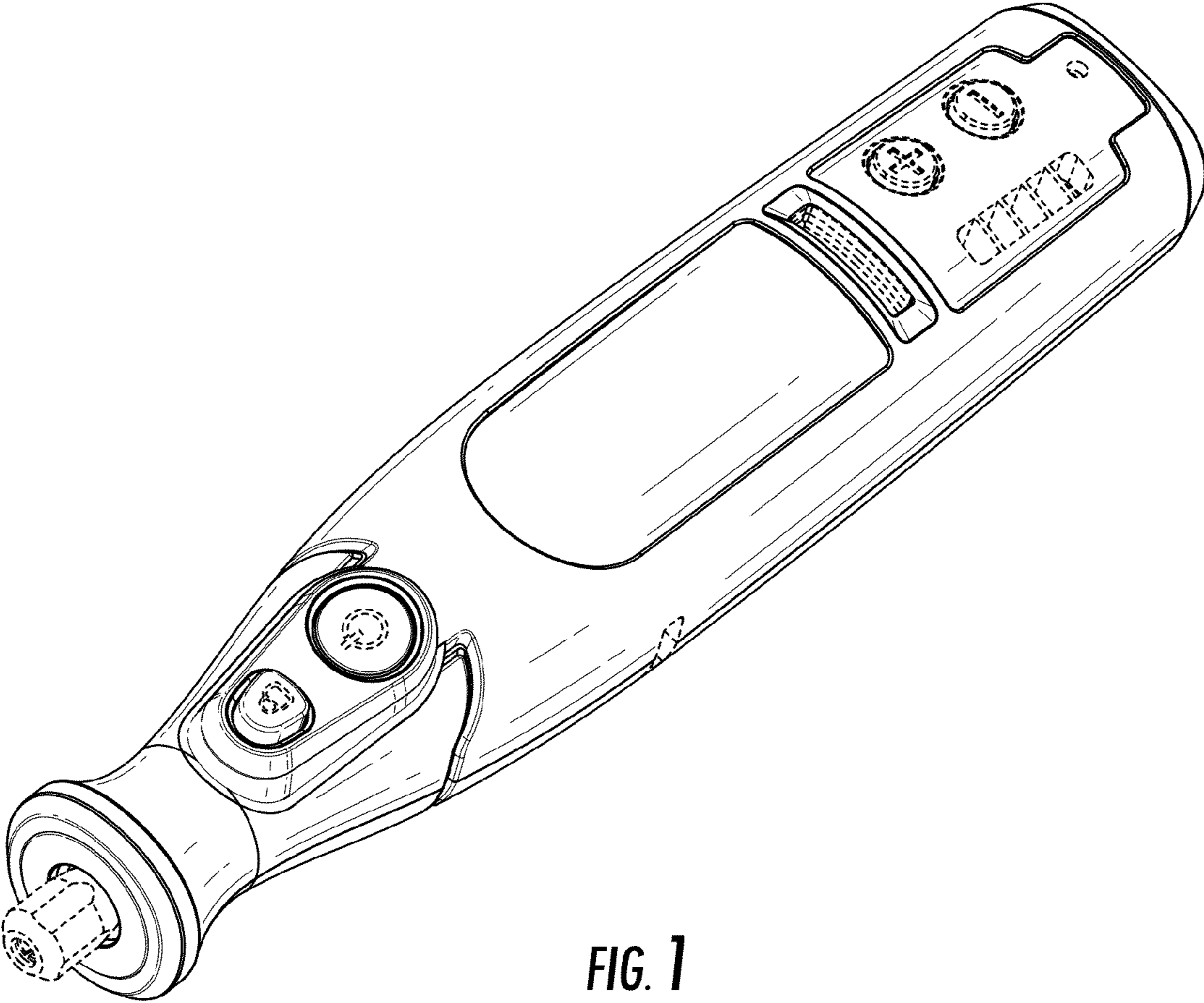


FIG. 1

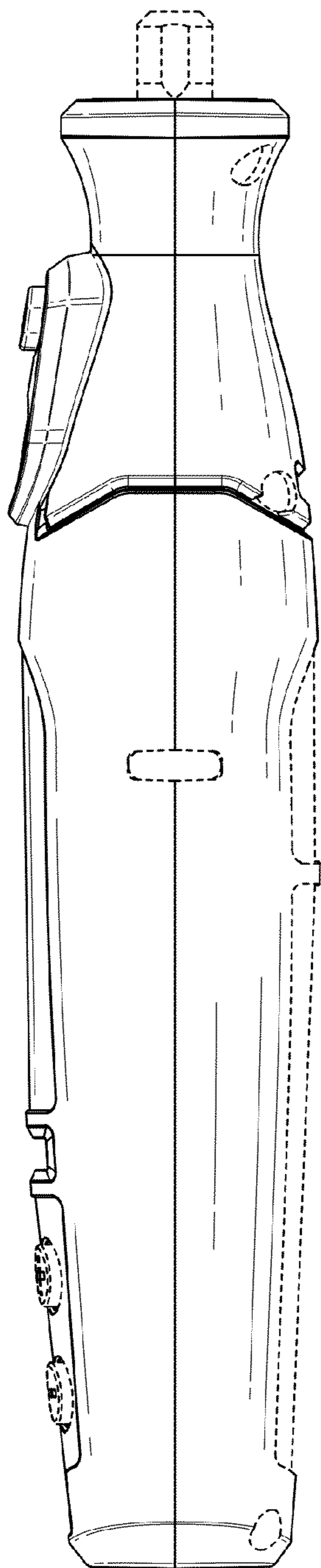


FIG. 2

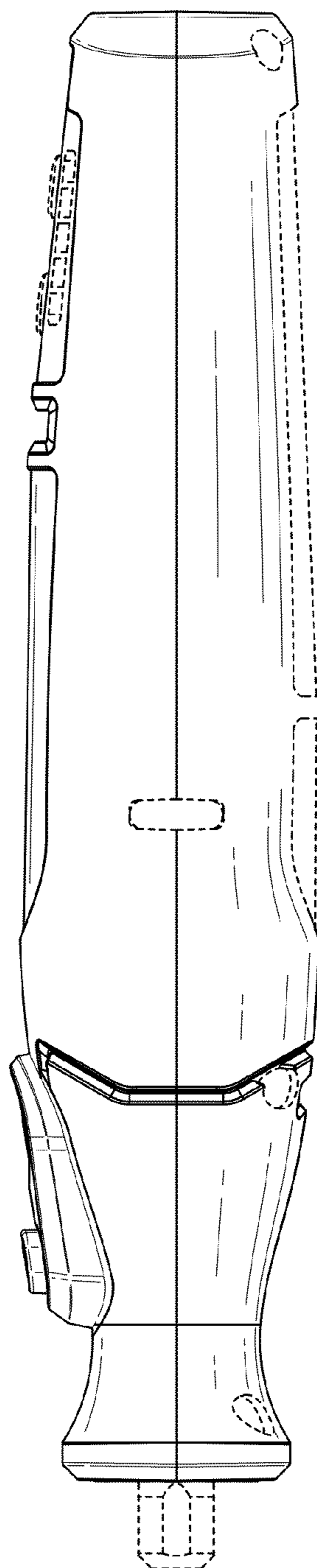


FIG. 3

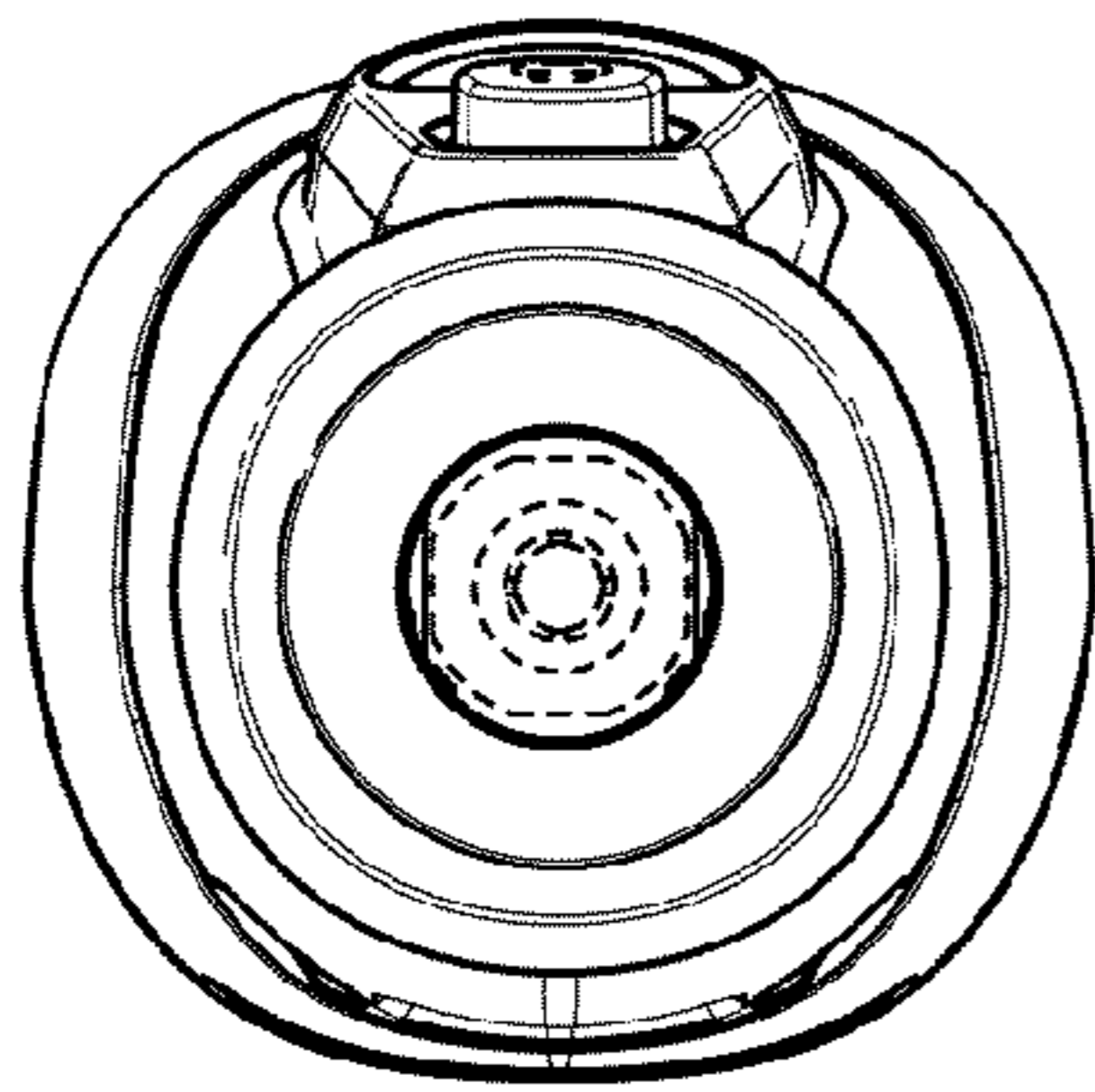


FIG. 4

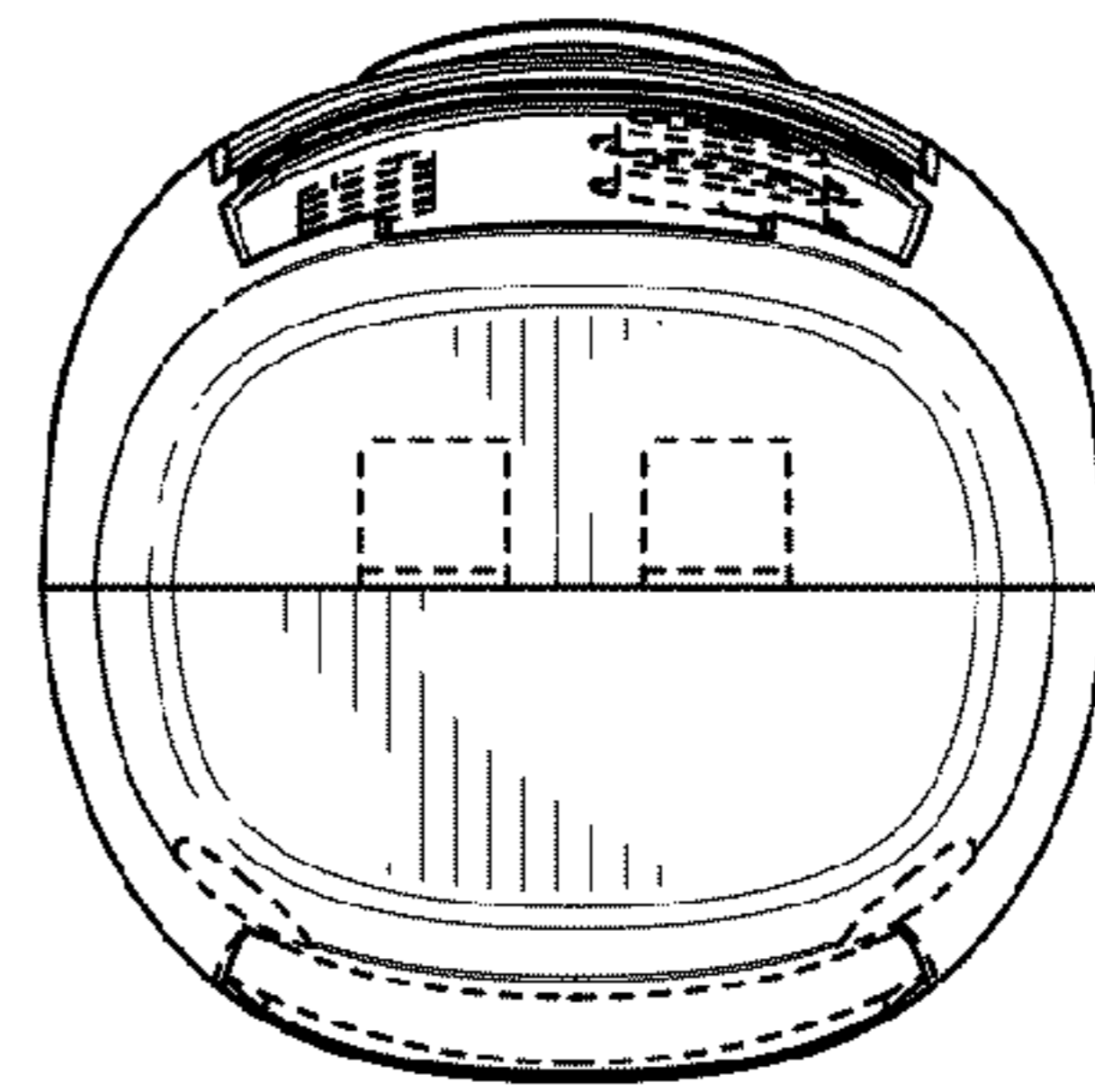


FIG. 5

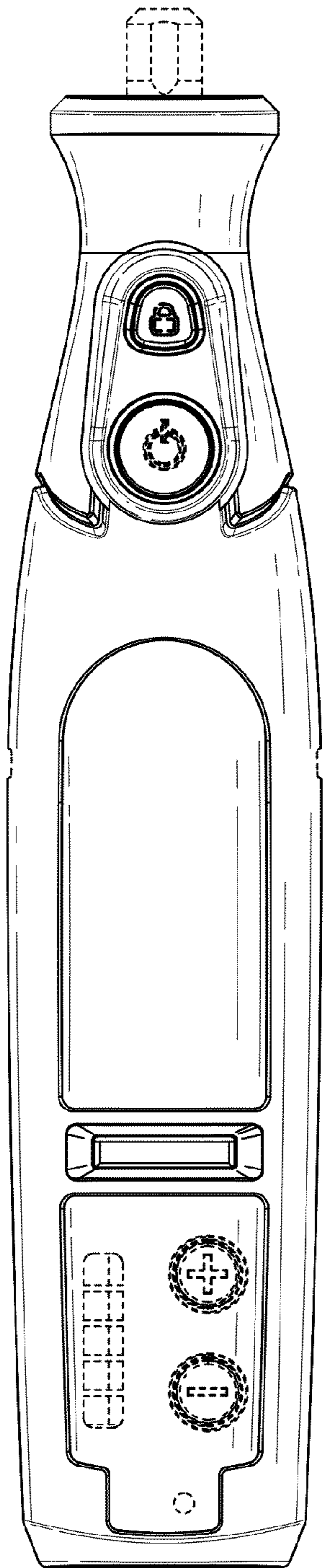


FIG. 6

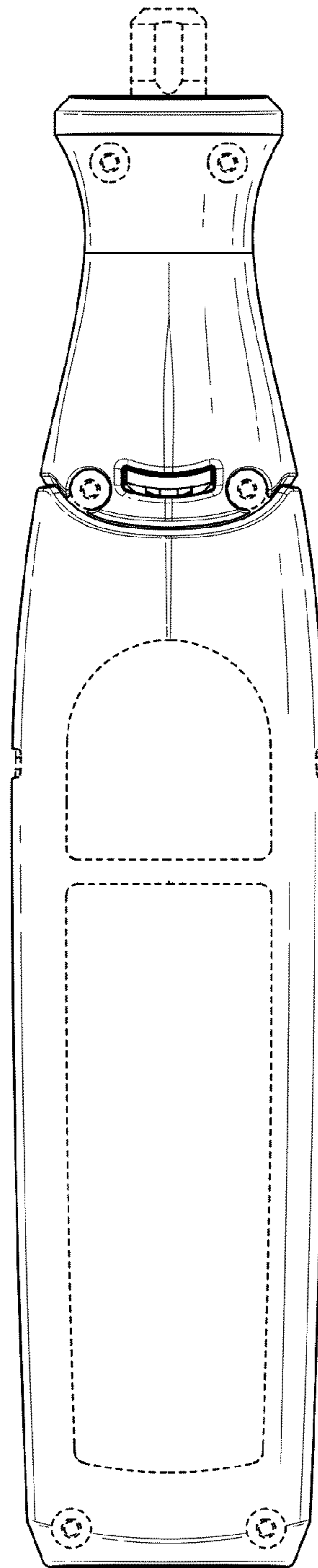


FIG. 7

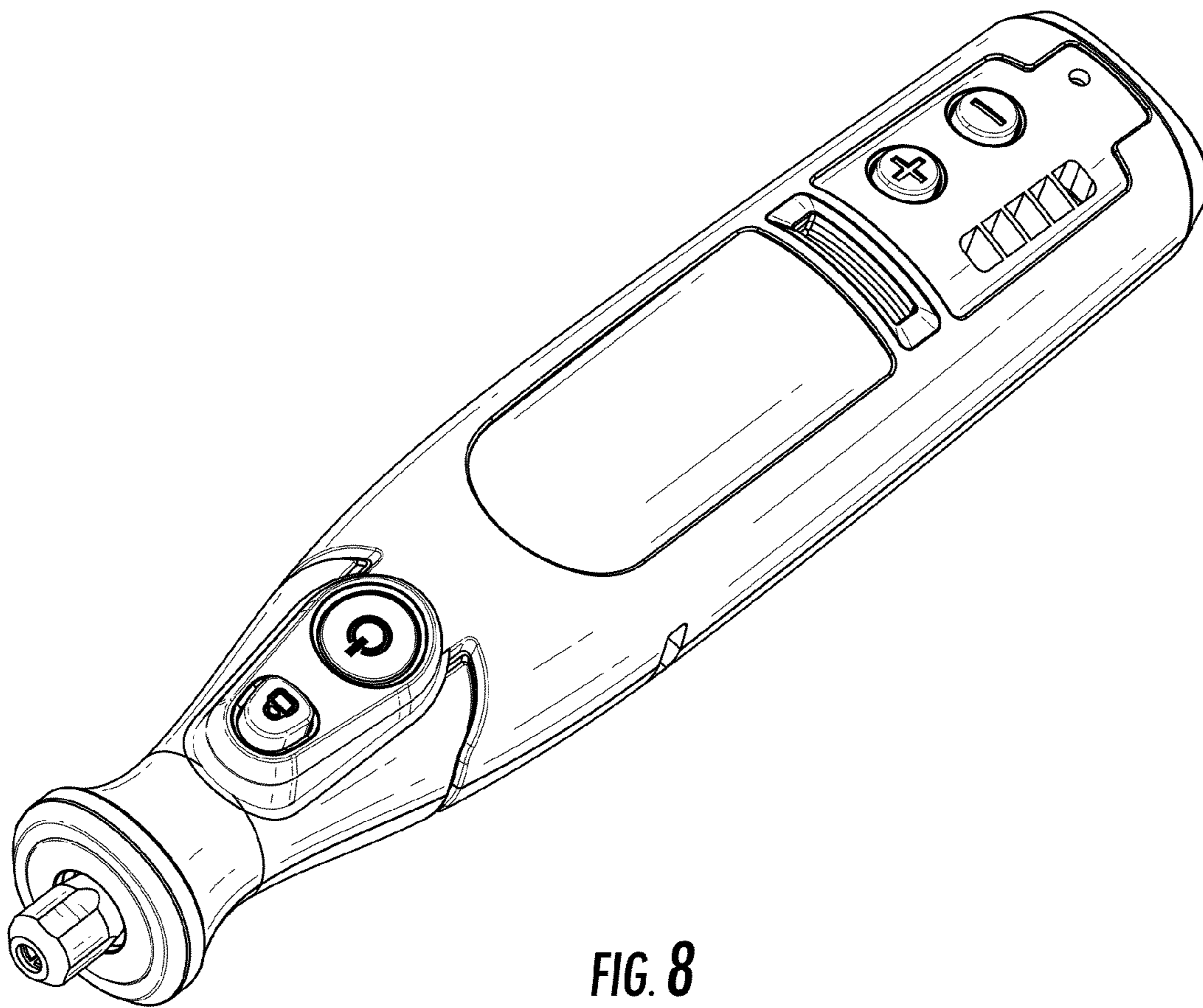


FIG. 8