



US00D715611S

(12) **United States Design Patent**
Stamm et al.

(10) **Patent No.:** **US D715,611 S**
(45) **Date of Patent:** **** Oct. 21, 2014**

(54) **T-HANDLE DRIVER WITH TORQUE INDICATOR**

(71) Applicant: **FixT Products, LLC**, Broomfield, CO (US)

(72) Inventors: **Shane Stamm**, Boulder, CO (US);
Michael Roswell, Lafayette, CO (US)

(73) Assignee: **FixT Products, LLC**, Broomfield, CO (US)

(**) Term: **14 Years**

(21) Appl. No.: **29/478,917**

(22) Filed: **Jan. 9, 2014**

(51) **LOC (10) Cl.** **08-05**

(52) **U.S. Cl.**
USPC **D8/24**

(58) **Field of Classification Search**
USPC D8/17, 21-29, DIG. 7; 81/177.2, 177.1,
81/177.85, 166; 7/100, 138, 168
See application file for complete search history.

(56) **References Cited**

U.S. PATENT DOCUMENTS

1,970,409	A *	8/1934	Wiedemann	81/30
2,719,042	A *	9/1955	Espy	81/177.2
3,922,935	A *	12/1975	Dahlem	81/480
4,556,075	A *	12/1985	Hoffman	135/65
D284,637	S *	7/1986	Erickson et al.	D8/21

4,620,459	A *	11/1986	Singleton	81/57.29
5,170,681	A *	12/1992	Kemp	81/176.15
D409,060	S *	5/1999	Lucy	D8/24
D528,883	S *	9/2006	Hu	D8/25
7,155,998	B1 *	1/2007	Shyu	81/60
D689,751	S *	9/2013	Kalinowski	D8/24

* cited by examiner

Primary Examiner — Randall Gholson

(74) *Attorney, Agent, or Firm* — Marsh Fischmann & Breyfogle LLP

(57) **CLAIM**

The ornamental design for a T-handle driver with torque indicator, as shown and described.

DESCRIPTION

FIG. 1 is a perspective view of a T-handle driver with torque indicator;

FIG. 2 is front view of the T-handle driver with torque indicator of FIG. 1;

FIG. 3 is a back view of the T-handle driver with torque indicator of FIG. 1;

FIG. 4 is a right side view of the T-handle driver with torque indicator of FIG. 1;

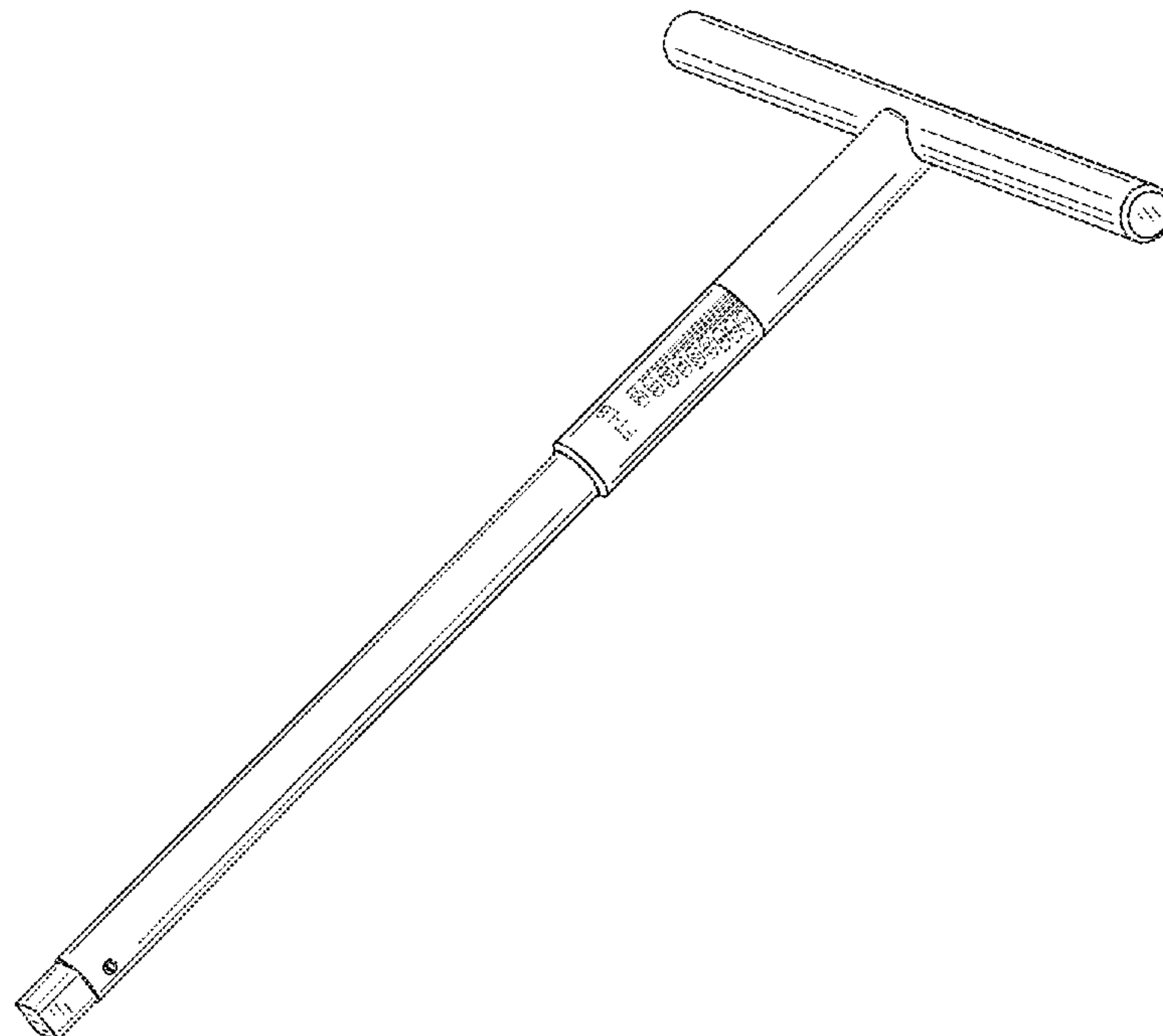
FIG. 5 is a left side view of the T-handle driver with torque indicator of FIG. 1; and

FIG. 6 is a top view of the T-handle driver with torque indicator of FIG. 1; and,

FIG. 7 is a bottom view of the T-handle driver with torque indicator of FIG. 1.

The broken lines in the drawings show unclaimed environmental structure only and form no part of the claimed design.

1 Claim, 5 Drawing Sheets



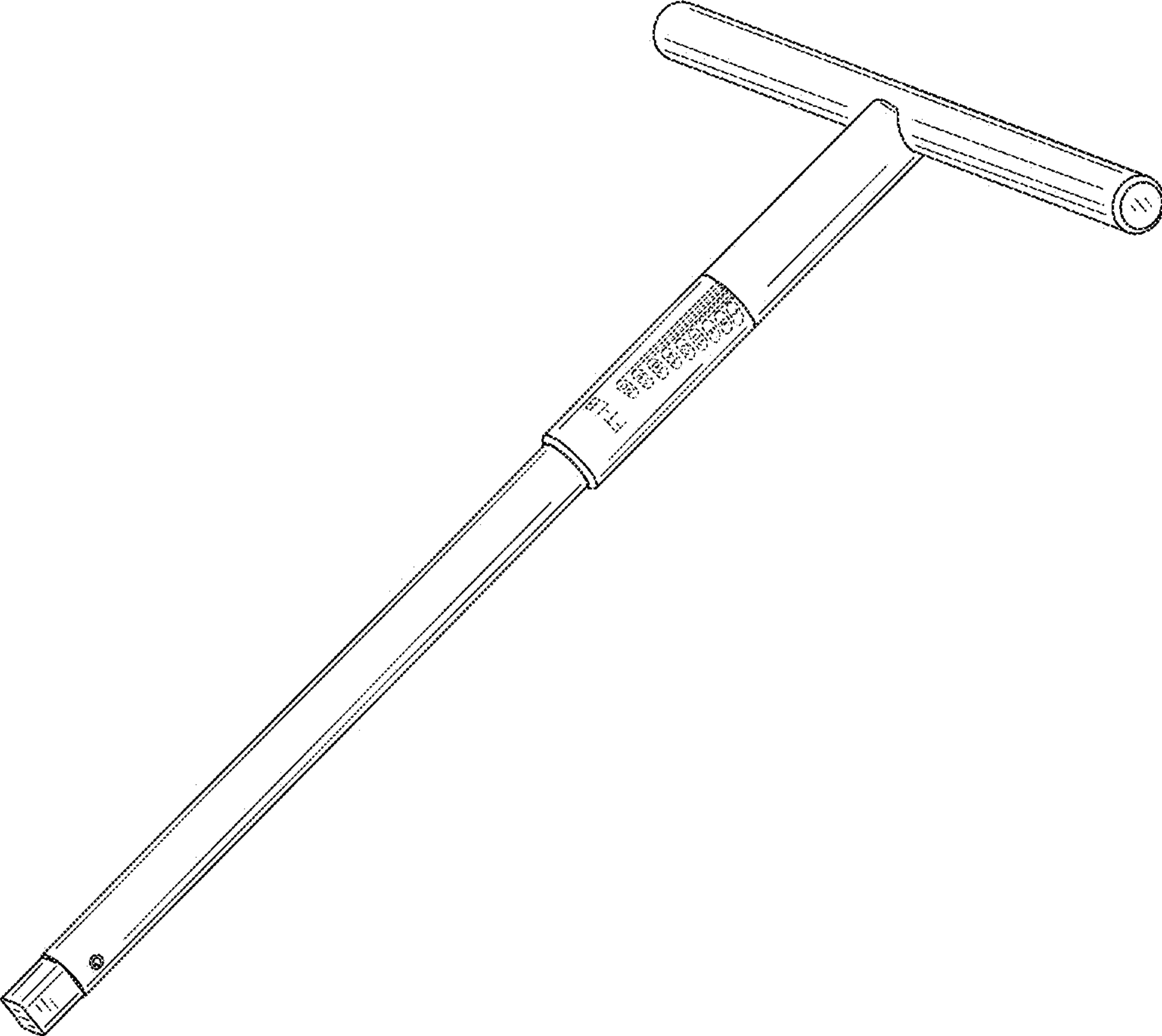


FIG. 1

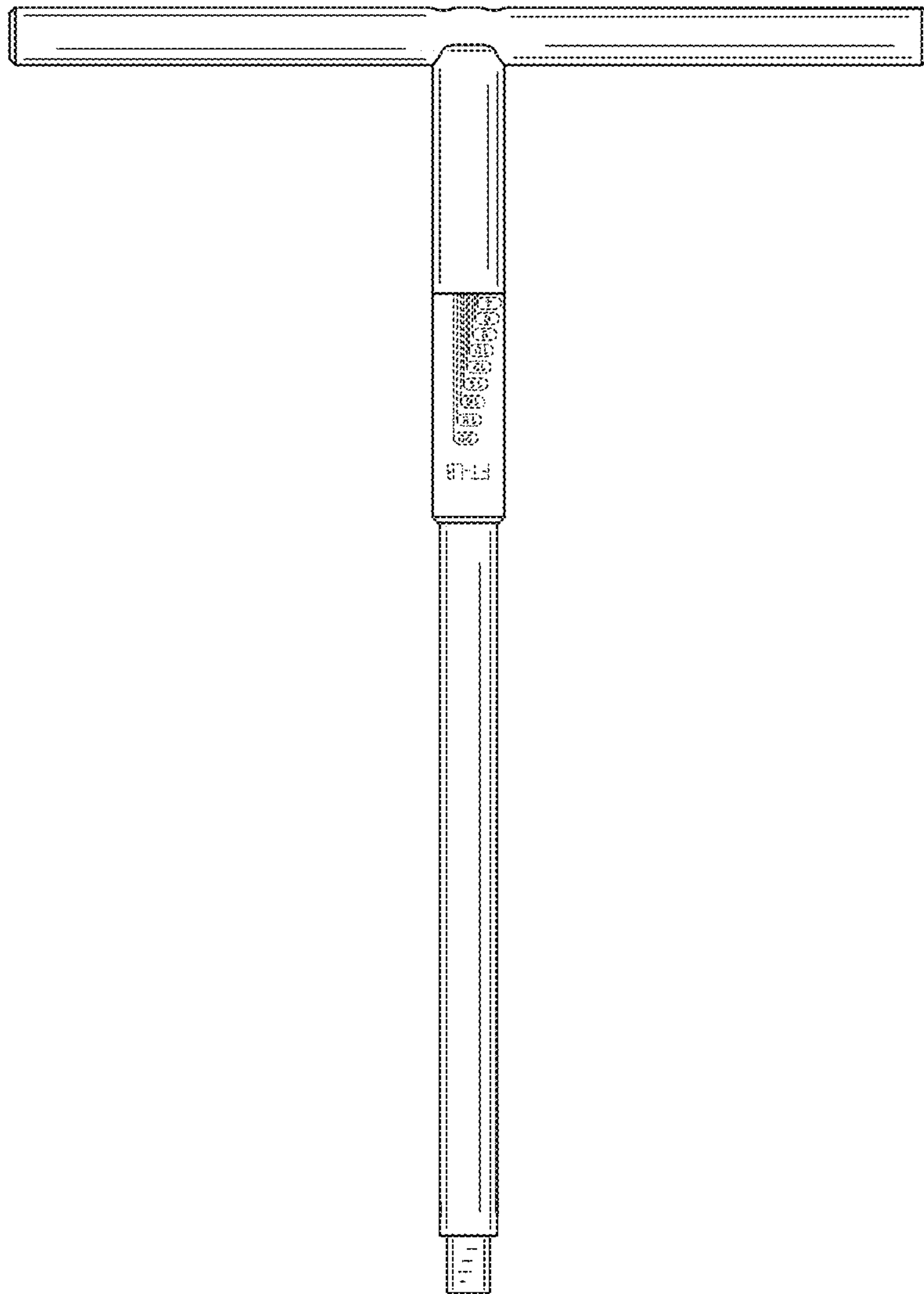


FIG.2

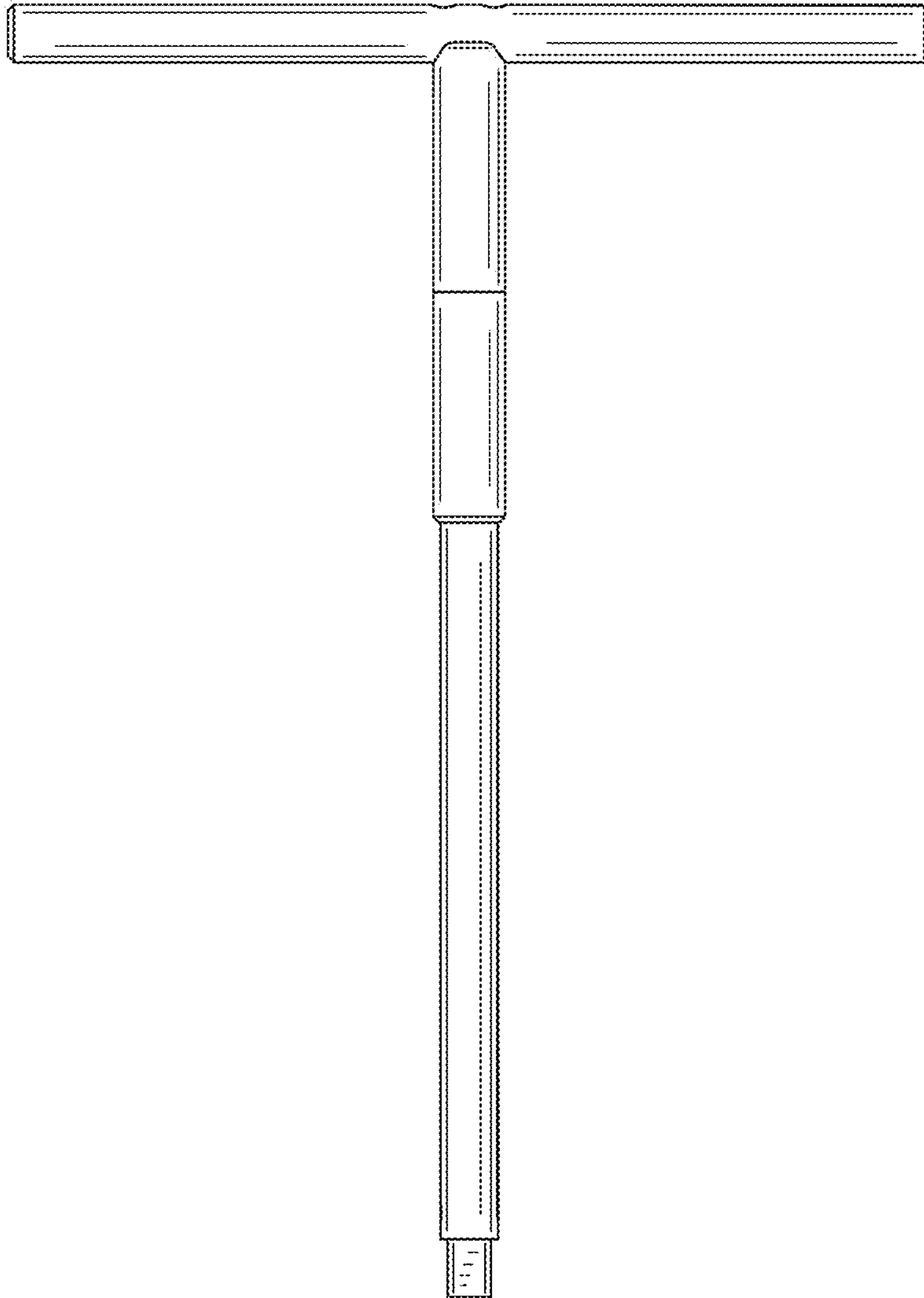


FIG.3

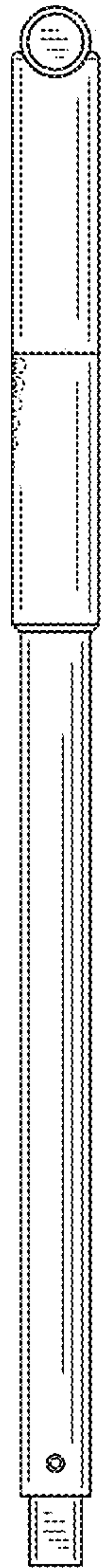


FIG.4

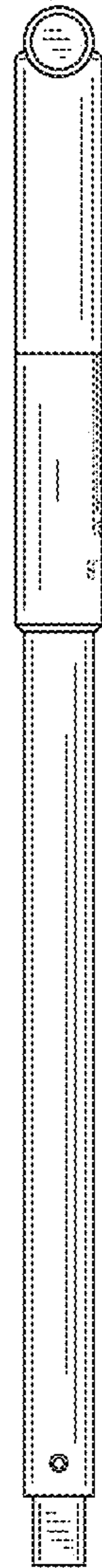


FIG.5



FIG. 6



FIG. 7