



US00D715610S

(12) **United States Design Patent**
Almsberger et al.

(10) **Patent No.:** **US D715,610 S**

(45) **Date of Patent:** **** Oct. 21, 2014**

(54) **BOTTLE OPENER**

(71) Applicant: **Xikar, Inc.**, Kansas City, MO (US)

(72) Inventors: **Scott Almsberger**, Tonganoxie, KS (US); **Kurt Van Keppel**, Leawood, KS (US)

(73) Assignee: **Xikar, Inc.**, Kansas City, MO (US)

(**) Term: **14 Years**

(21) Appl. No.: **29/462,011**

(22) Filed: **Jul. 30, 2013**

(51) **LOC (10) Cl.** **07-99**

(52) **U.S. Cl.**
USPC **D8/18**

(58) **Field of Classification Search**
USPC D8/18, 33-43, 88, 89, 105; 7/113, 7/151-156; 81/3.07, 3.09, 3.2, 3.27, 81/3.29, 3.31, 3.35, 3.37, 3.4, 3.48, 3.49, 81/3.55

See application file for complete search history.

(56) **References Cited**

U.S. PATENT DOCUMENTS

2,172,293	A *	9/1939	Plasse	222/90
D258,192	S *	2/1981	Maloney	D8/18
4,509,784	A *	4/1985	Vollers	294/99.1
D410,109	S	5/1999	Van Keppel et al.		

5,937,523	A	8/1999	Van Keppel et al.	
D458,097	S *	6/2002	de la Guardia D8/33
D480,935	S *	10/2003	Farce D8/40
D519,343	S *	4/2006	Mazzei D8/40
D557,577	S *	12/2007	Huang D8/40
D580,244	S *	11/2008	Smith D8/34
D591,118	S *	4/2009	Eide et al. D8/40
D691,438	S *	10/2013	Appleby et al. D8/40
D693,660	S *	11/2013	Hackett et al. D8/18

* cited by examiner

Primary Examiner — Elizabeth Albert

(74) *Attorney, Agent, or Firm* — Erickson Kernell Derusseau & Kleypas, LLC

(57) **CLAIM**

The ornamental design for a bottle opener, as shown and described.

DESCRIPTION

FIG. 1 is a perspective view of the bottle opener which is the subject of the invention;

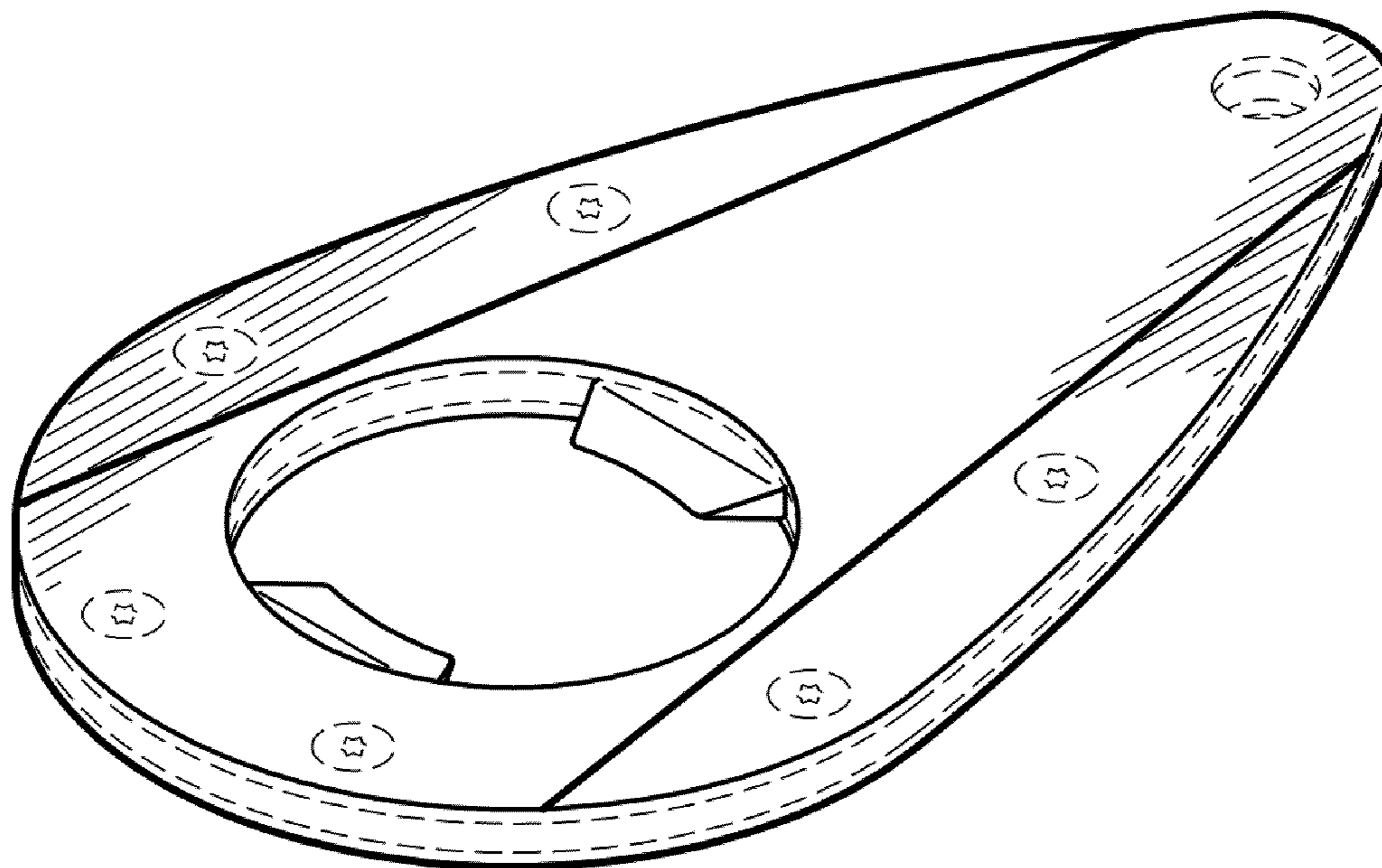
FIG. 2 is a left end view of the bottle opener of FIG. 1;

FIG. 3 is a top view of the bottle opener of FIG. 1, with the bottom being a mirror image thereof;

FIG. 4 is a right end view of the bottle opener of FIG. 1; and, FIG. 5 is a side view of the bottle opener of FIG. 1 with the opposite side being a mirror image thereof.

The broken lines in the drawings are included for the purpose of showing features on the bottle opener that form no part of the claimed design.

1 Claim, 2 Drawing Sheets



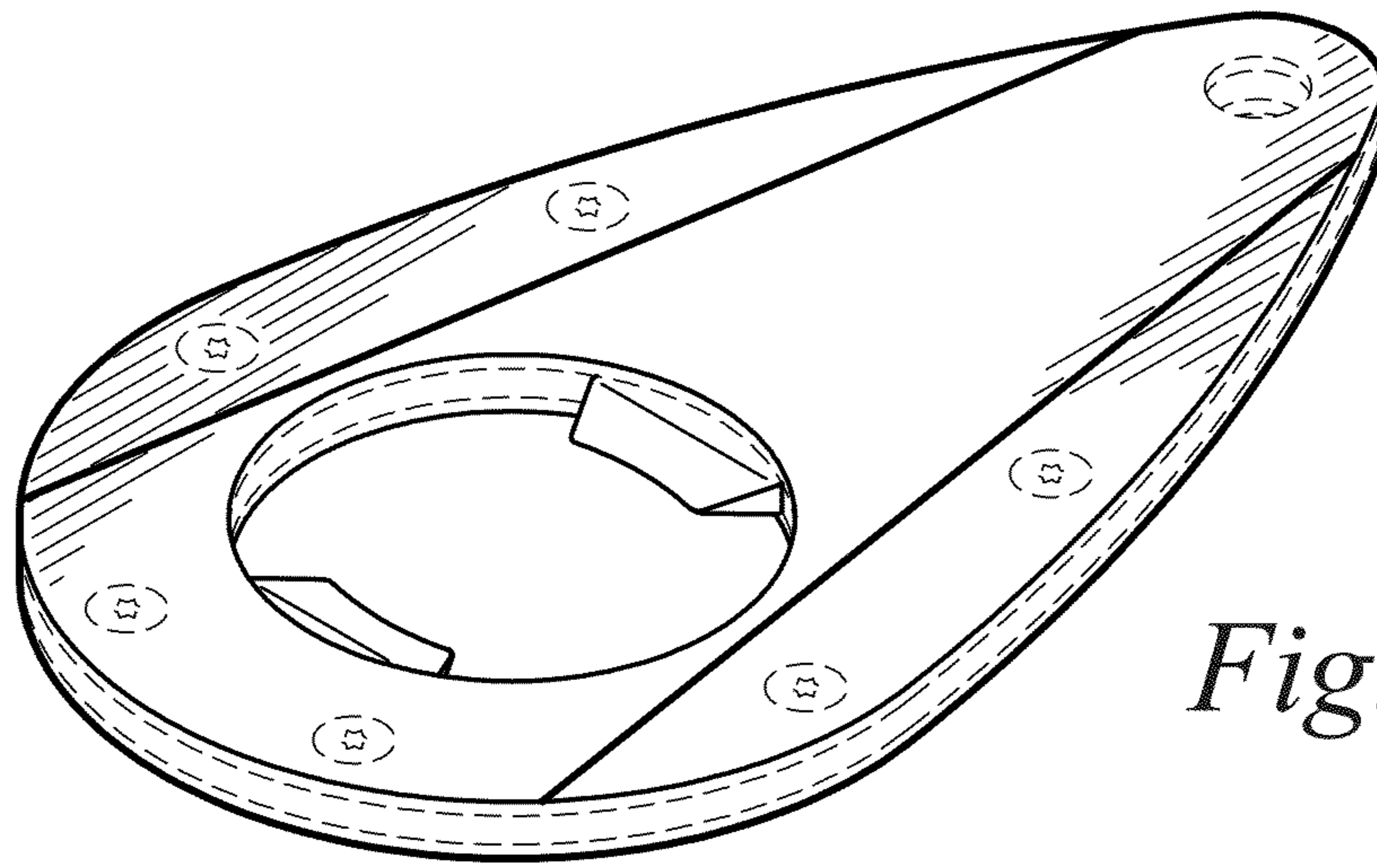


Fig. 1

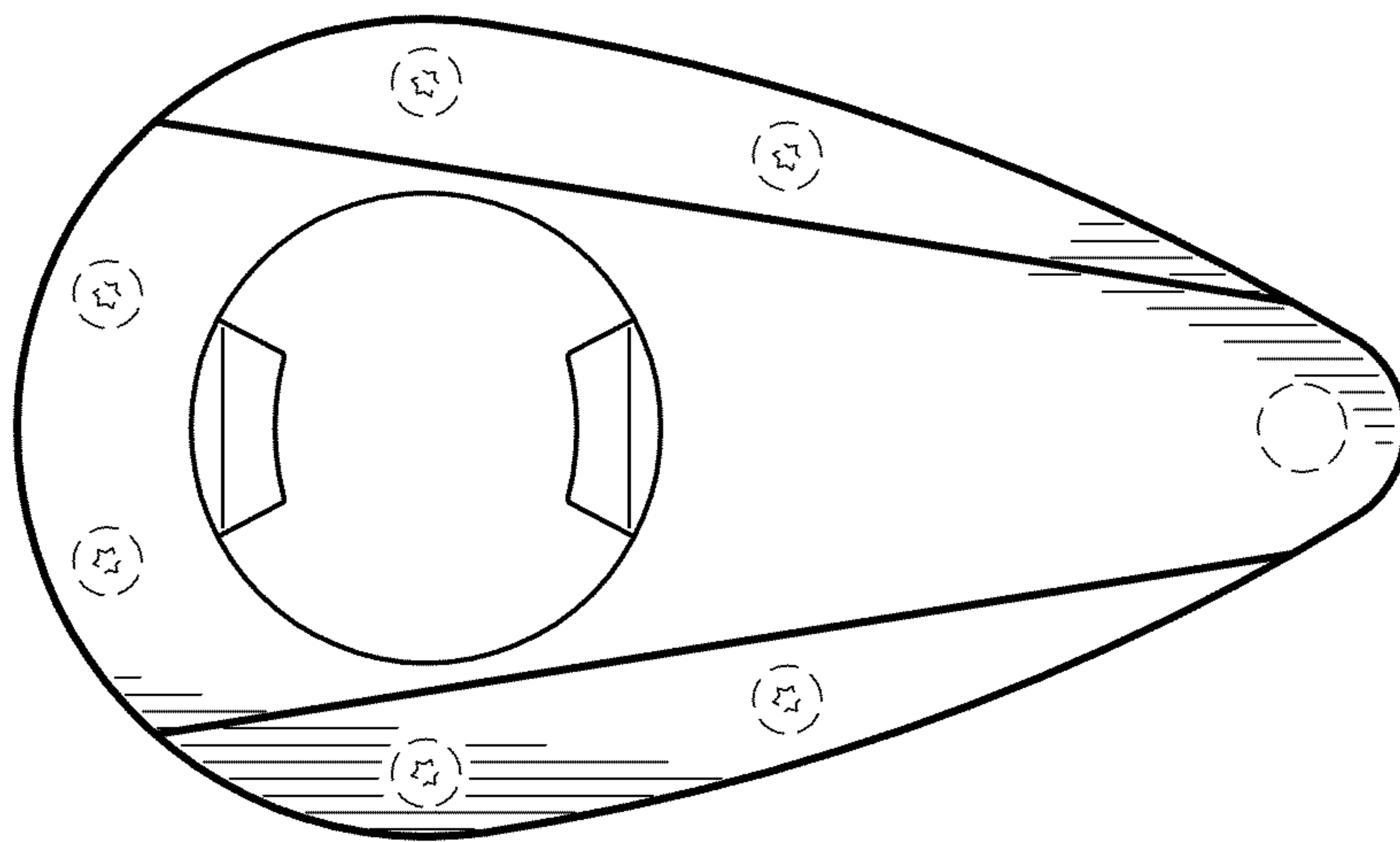


Fig. 3



Fig. 2



Fig. 4



Fig. 5