



US00D715609S

(12) **United States Design Patent**
Mitchell

(10) **Patent No.:** **US D715,609 S**

(45) **Date of Patent:** **** Oct. 21, 2014**

(54) **HOLDING TOOL**

(75) Inventor: **David Mitchell**, Carina Heights (AU)

(73) Assignee: **Private Brand Tools Australia Pty Ltd.**,
Archerfield (AU)

(**) Term: **14 Years**

(21) Appl. No.: **29/428,259**

(22) Filed: **Jul. 27, 2012**

(51) **LOC (10) Cl.** **08-05**

(52) **U.S. Cl.**
USPC **D8/14**

(58) **Field of Classification Search**
USPC D8/14, 22, 27, 28, 107, 354, 394;
81/60, 145, 159, 160, 165, 167, 176.3,
81/177.2, 462, 487
See application file for complete search history.

(56) **References Cited**

U.S. PATENT DOCUMENTS

2,912,891	A *	11/1959	Neff	81/167
3,175,436	A *	3/1965	Coleman	81/177.1
4,532,834	A *	8/1985	Hartman	81/16
5,820,288	A *	10/1998	Cole	403/97
D402,866	S *	12/1998	Janssen	D8/22
6,679,460	B2 *	1/2004	Nicolia et al.	248/74.1
7,156,003	B2 *	1/2007	Cole	81/177.8
D543,833	S *	6/2007	Folk et al.	D8/349
D611,785	S *	3/2010	Spradling	D8/25
D641,708	S *	7/2011	Yamauchi	D13/154

8,307,744	B2 *	11/2012	Lanfear et al.	81/462
D686,909	S *	7/2013	Frydlewski et al.	D8/394
2009/0308208	A1 *	12/2009	Stevick	81/60
2014/0000421	A1 *	1/2014	Chen	81/487

* cited by examiner

Primary Examiner — Eric Goodman

Assistant Examiner — Jennifer Watkins

(74) *Attorney, Agent, or Firm* — Armstrong Teasdale LLP

(57) **CLAIM**

The ornamental design for a holding tool, as shown.

DESCRIPTION

FIG. 1 is a front perspective view of a holding tool of my new design.

FIG. 2 is a right side elevation view of the holding tool shown in FIG. 1.

FIG. 3 is a top plan view of the holding tool shown in FIG. 1.

FIG. 4 is a rear perspective view of the holding tool shown in FIG. 1.

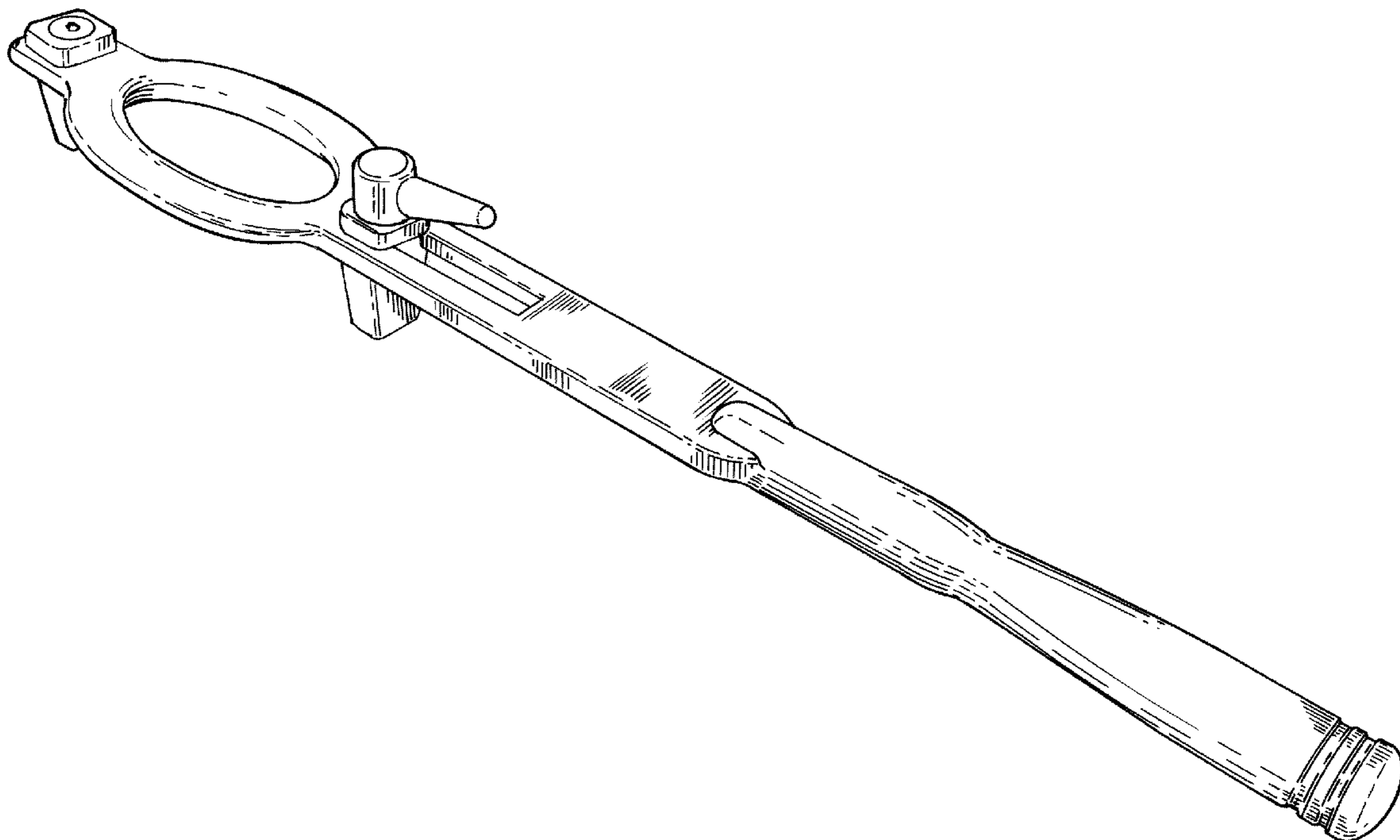
FIG. 5 is an end plan view of the holding tool shown in FIG. 1.

FIG. 6 is an opposing end plan view of the holding tool shown in FIG. 1.

FIG. 7 is a left side elevation view of the holding tool shown in FIG. 1; and,

FIG. 8 is a bottom plan view of the holding tool shown in FIG. 1.

1 Claim, 5 Drawing Sheets



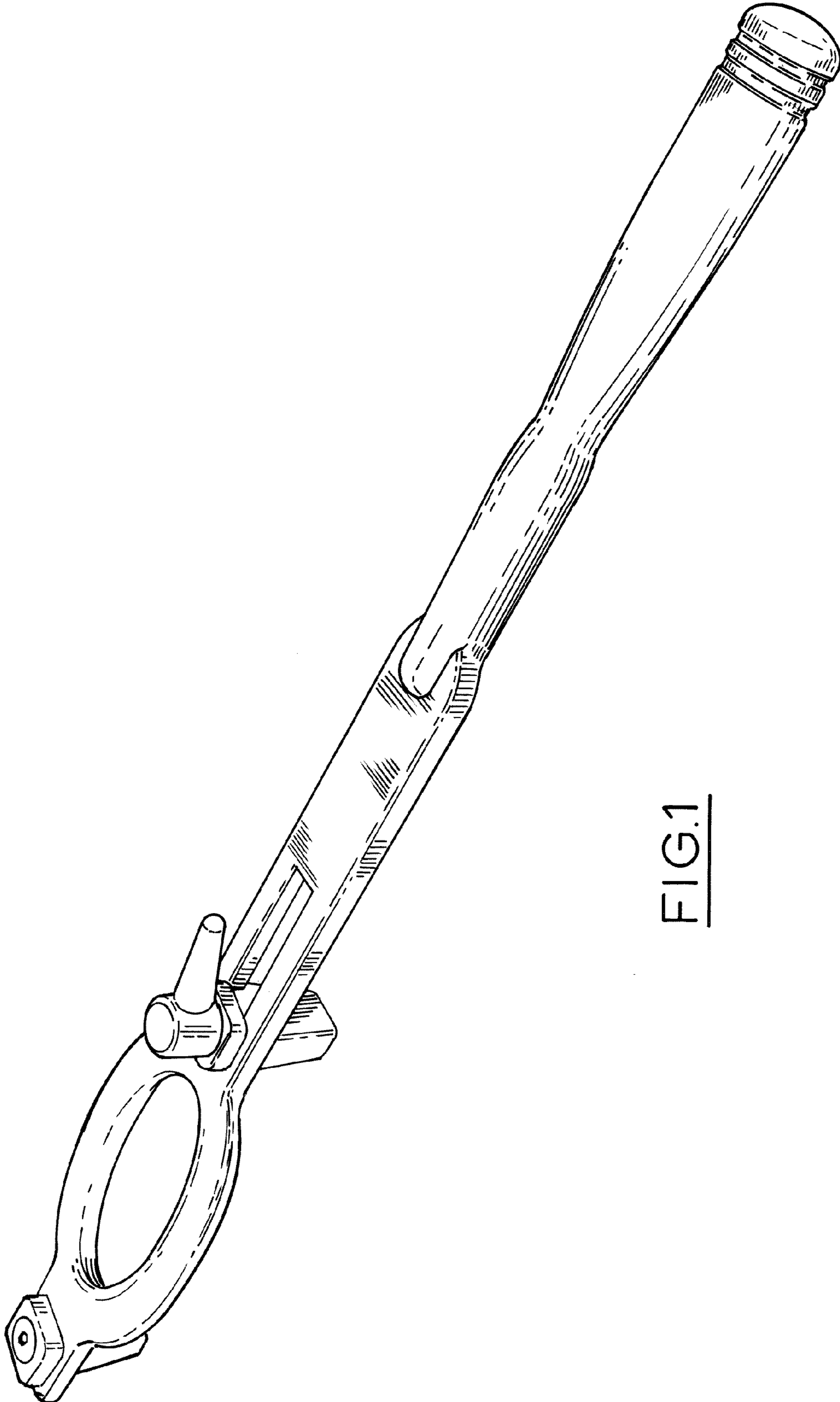


FIG.1

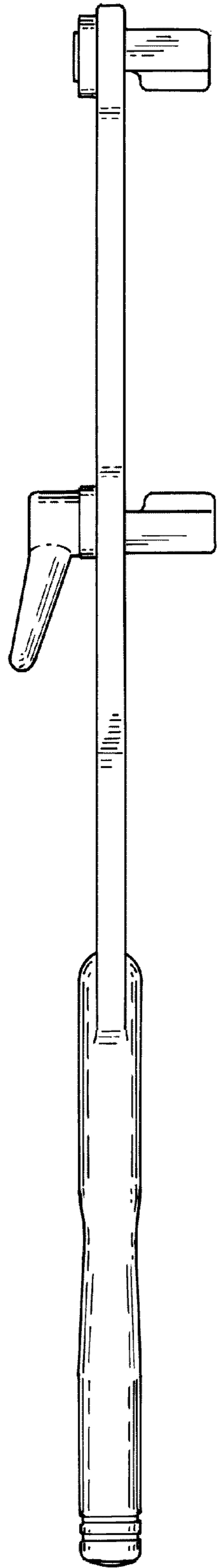


FIG. 2

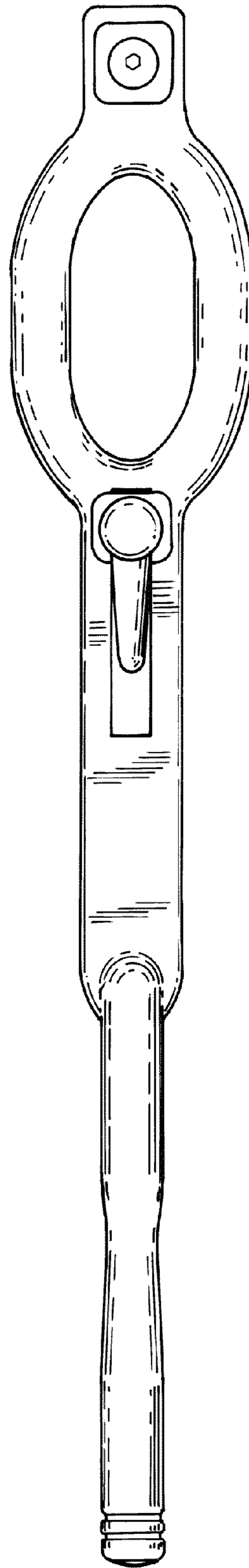


FIG. 3

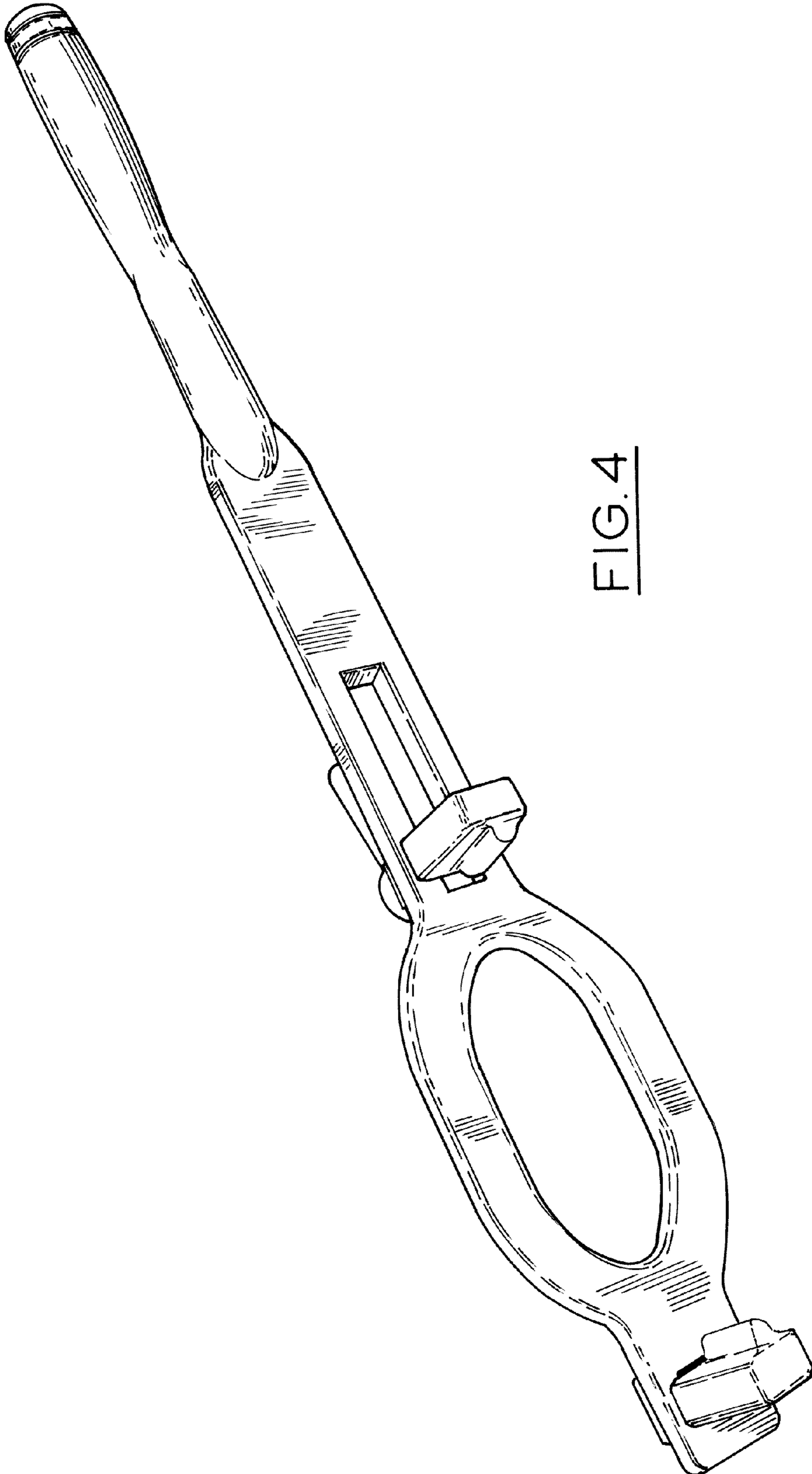


FIG. 4

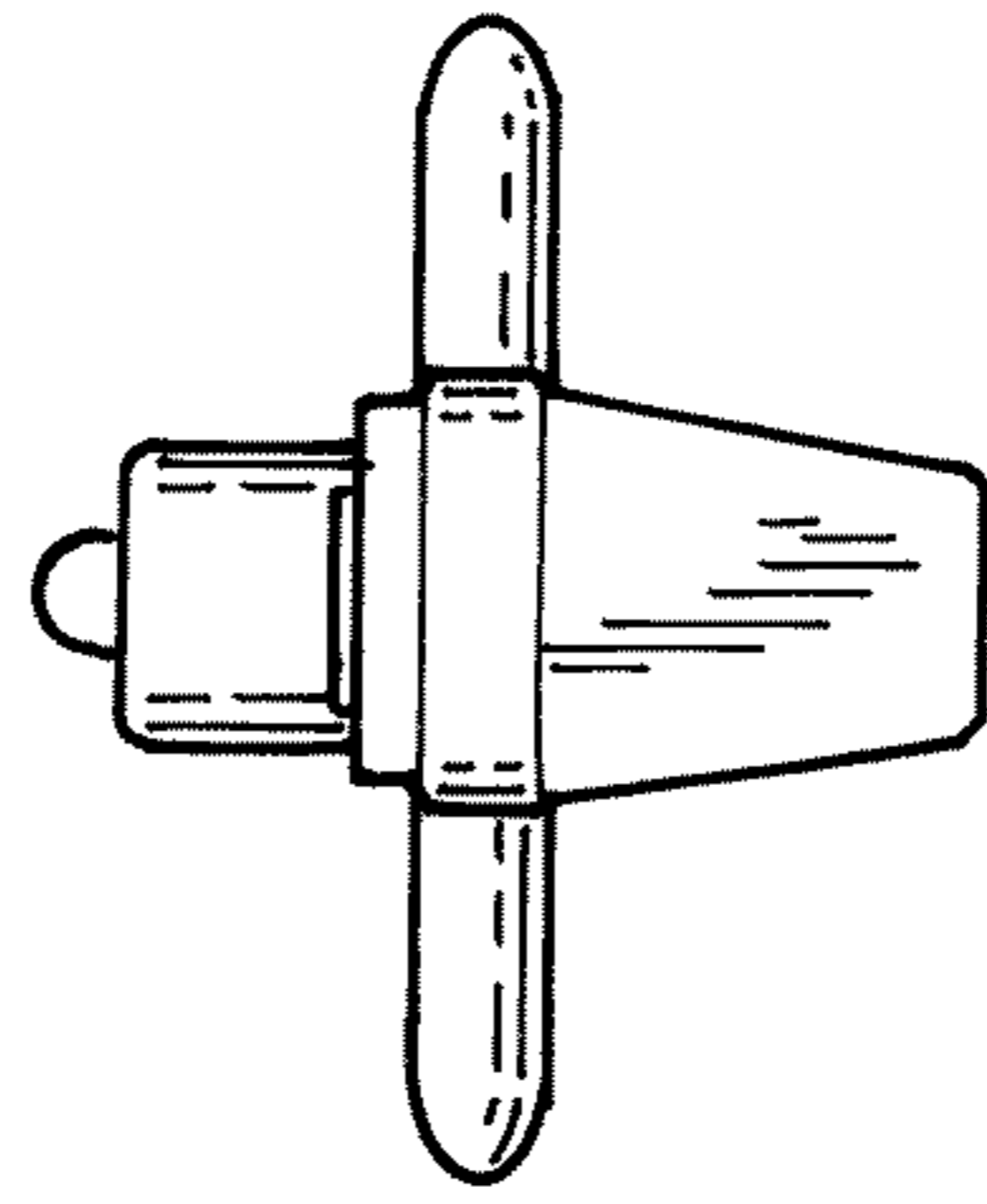


FIG. 6

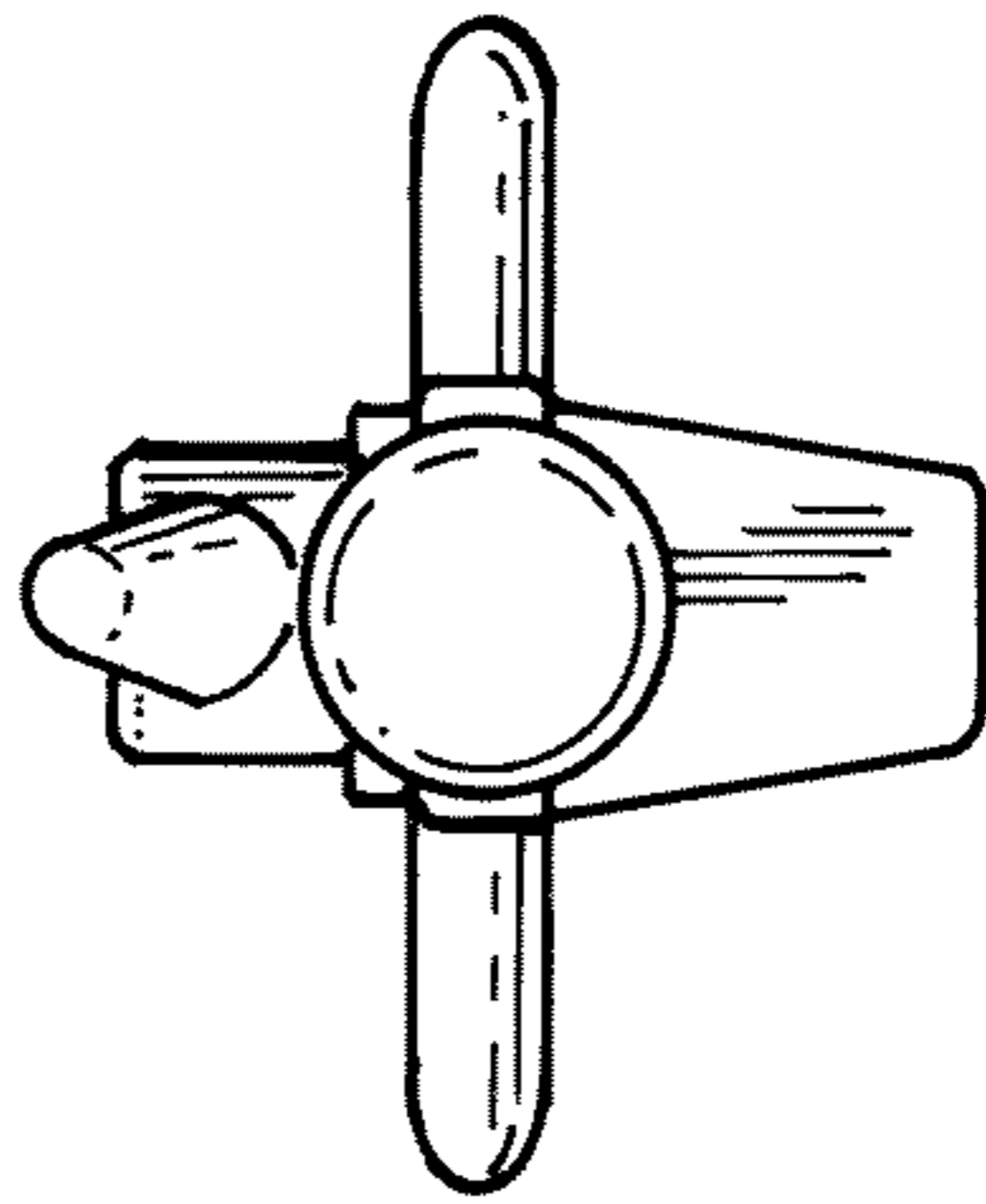


FIG. 5

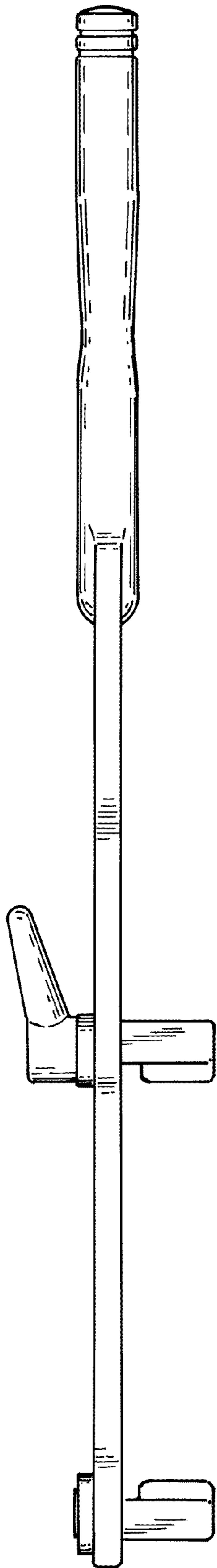


FIG. 7

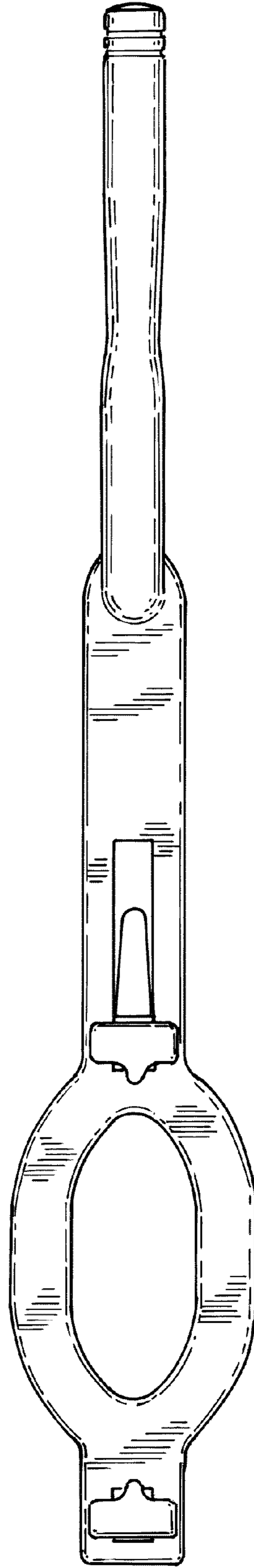


FIG. 8