

US00D715608S

(12) **United States Design Patent**
Cigarini

(10) **Patent No.:** **US D715,608 S**

(45) **Date of Patent:** **** Oct. 21, 2014**

(54) **CUTTER**

(71) Applicant: **Tecomec S.r.l.**, Reggio Emilia (IT)

(72) Inventor: **Enrico Cigarini**, Reggio Emilia (IT)

(73) Assignee: **Tecomec S.r.l.**, Reggio Emilia (IT)

(**) Term: **14 Years**

(21) Appl. No.: **29/439,799**

(22) Filed: **Dec. 14, 2012**

(30) **Foreign Application Priority Data**

Jun. 28, 2012 (EM) 002064865-0003

(51) **LOC (10) Cl.** **08-01**

(52) **U.S. Cl.**
USPC **D8/8**

(58) **Field of Classification Search**
CPC A01D 34/416; A01D 34/4166; A01D
34/4167; A01D 34/84; A01D 34/90
USPC D8/7-9; D15/17, 1; 30/276, 208-210,
30/228, 282-383; 56/12.7, 233-234
See application file for complete search history.

(56) **References Cited**

U.S. PATENT DOCUMENTS

D346,727 S *	5/1994	Eriksson	D8/8
D362,600 S *	9/1995	Kiyooka et al.	D8/8
D376,741 S *	12/1996	Sadlowski, Sr.	D8/8
D460,904 S *	7/2002	Riley et al.	D8/8
D465,975 S *	11/2002	Iacona	D8/8

D479,961 S *	9/2003	Iacona	D8/8
D482,581 S *	11/2003	Nystrom	D8/8
D482,941 S *	12/2003	Nystrom	D8/8
D502,368 S *	3/2005	Nystrom et al.	D8/8
D560,107 S *	1/2008	Grey	D8/8
D584,581 S *	1/2009	Bradford	D8/8
D597,804 S *	8/2009	Alliss	D8/8
D598,254 S *	8/2009	Alliss	D8/8
D598,255 S *	8/2009	Alliss	D8/8
D630,068 S *	1/2011	Proulx	D8/8
7,882,642 B2 *	2/2011	Proulx	30/276
D653,920 S *	2/2012	Cigarini	D8/8
8,510,960 B2 *	8/2013	Pfaltzgraff et al.	30/276
8,567,073 B2 *	10/2013	Proulx	30/276

* cited by examiner

Primary Examiner — Sheryl Lane

(74) *Attorney, Agent, or Firm* — Pearne & Gordon LLP

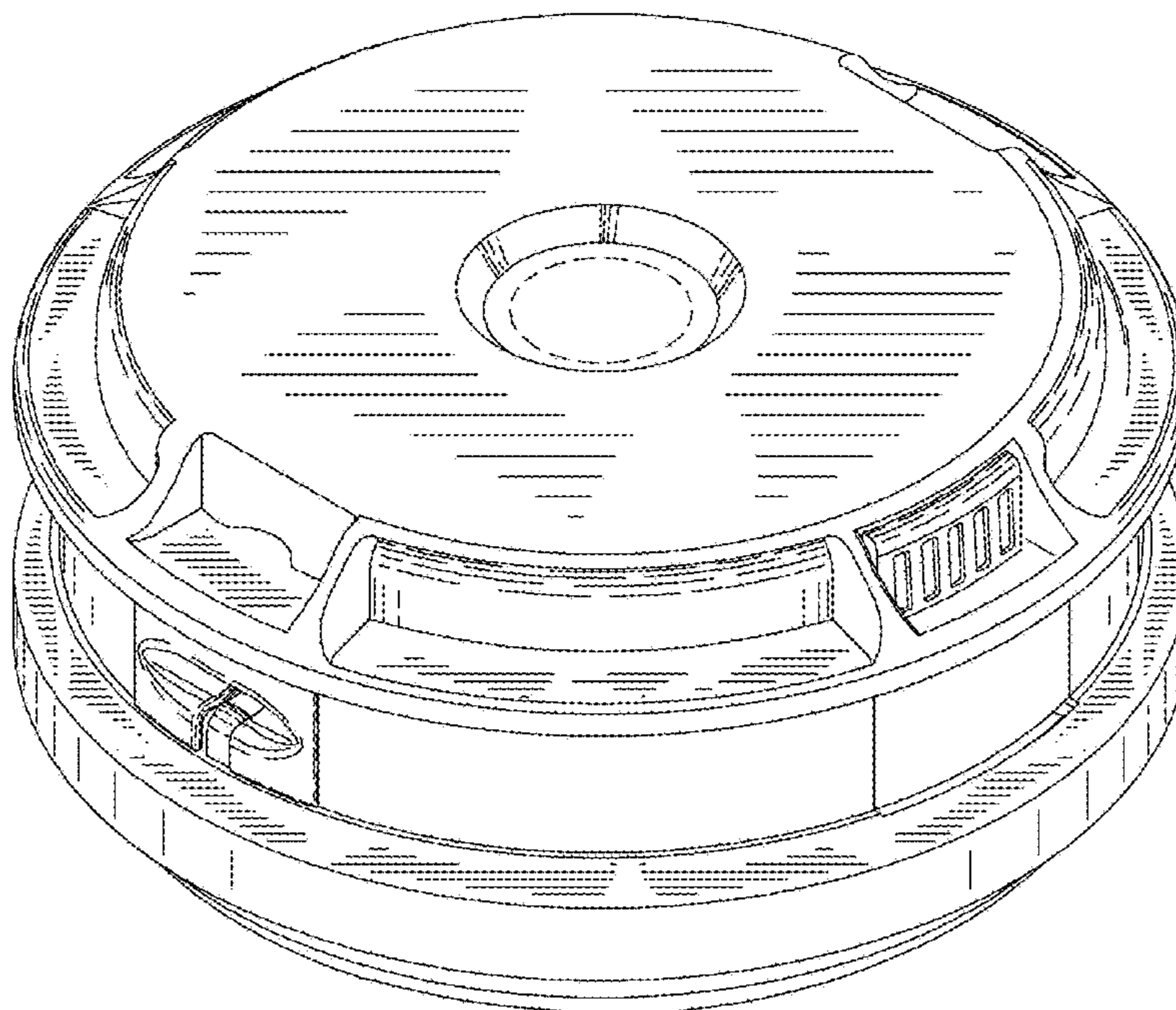
(57) **CLAIM**

The ornamental design for a cutter, as shown and described.

DESCRIPTION

FIG. 1 is a top-side perspective view of a cutter, showing my new design;
 FIG. 2 is a bottom-side perspective view thereof;
 FIG. 3 is a front elevational view thereof, the back elevational view being identical thereto;
 FIG. 4 is a right side elevational view thereof, the left side elevational view being identical thereto;
 FIG. 5 is a top plan view thereof; and,
 FIG. 6 is a bottom plan view thereof.
 The broken lines represent portions of the article and form no part of the claimed design.

1 Claim, 6 Drawing Sheets



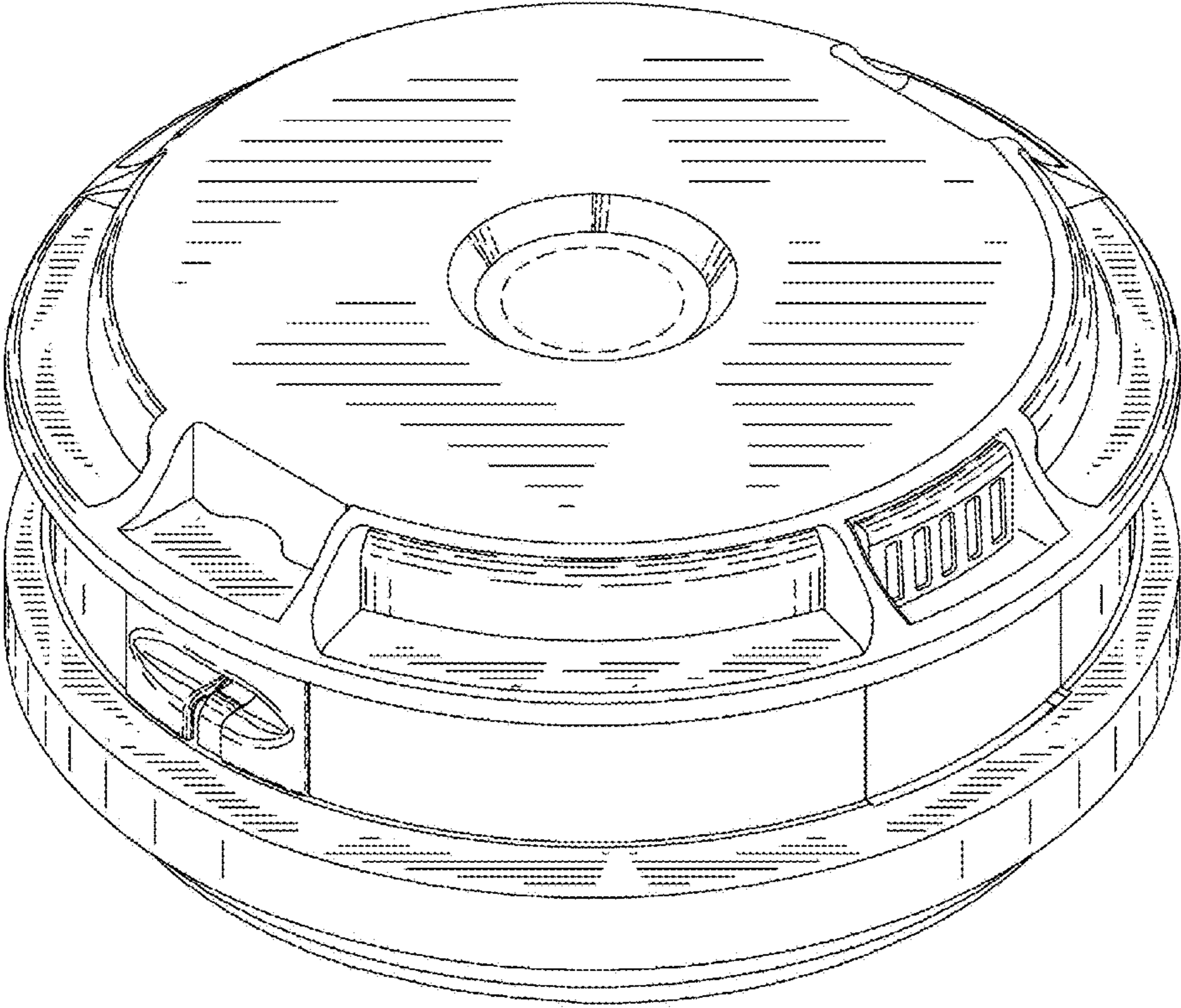


FIG. 1

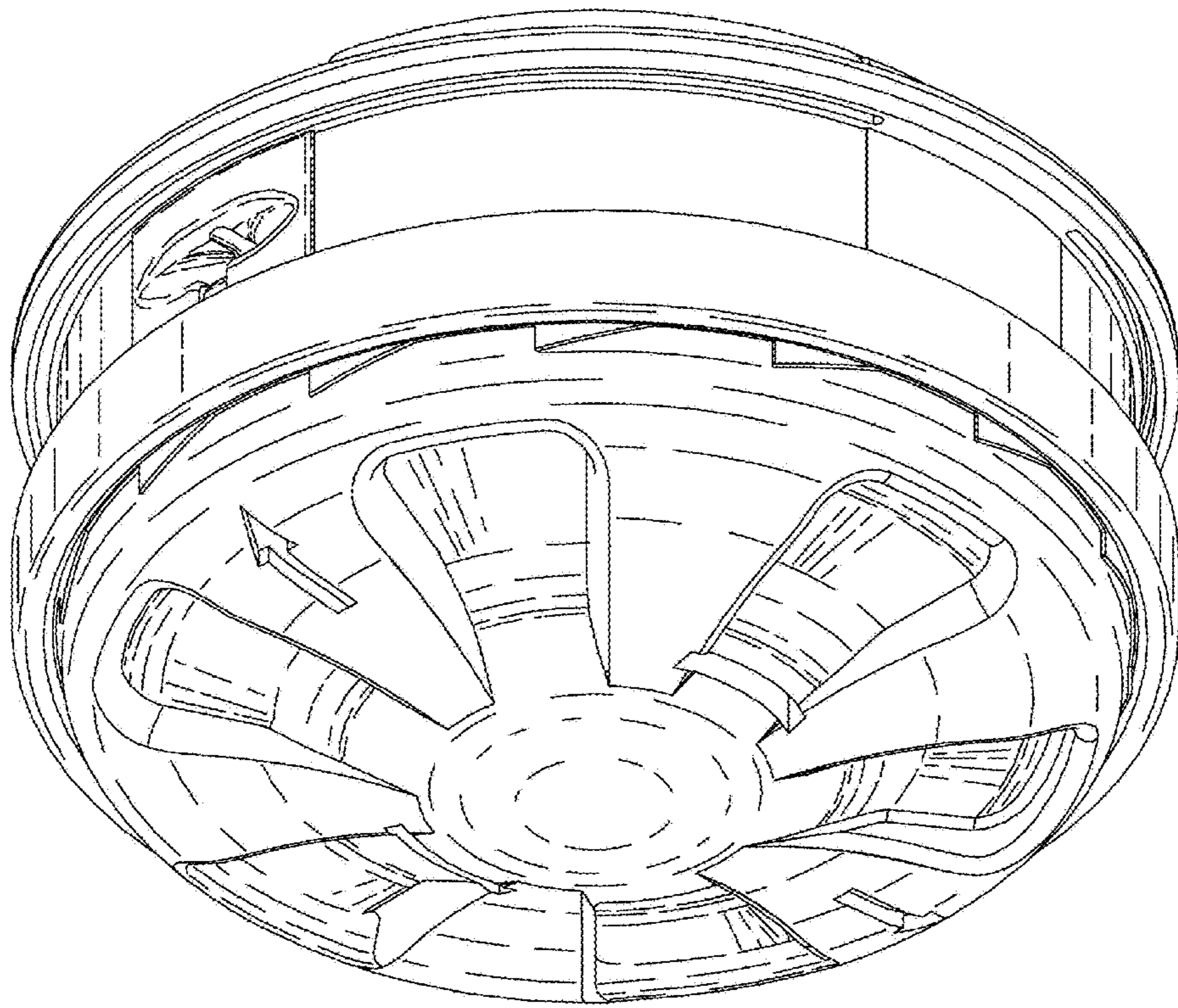


FIG. 2

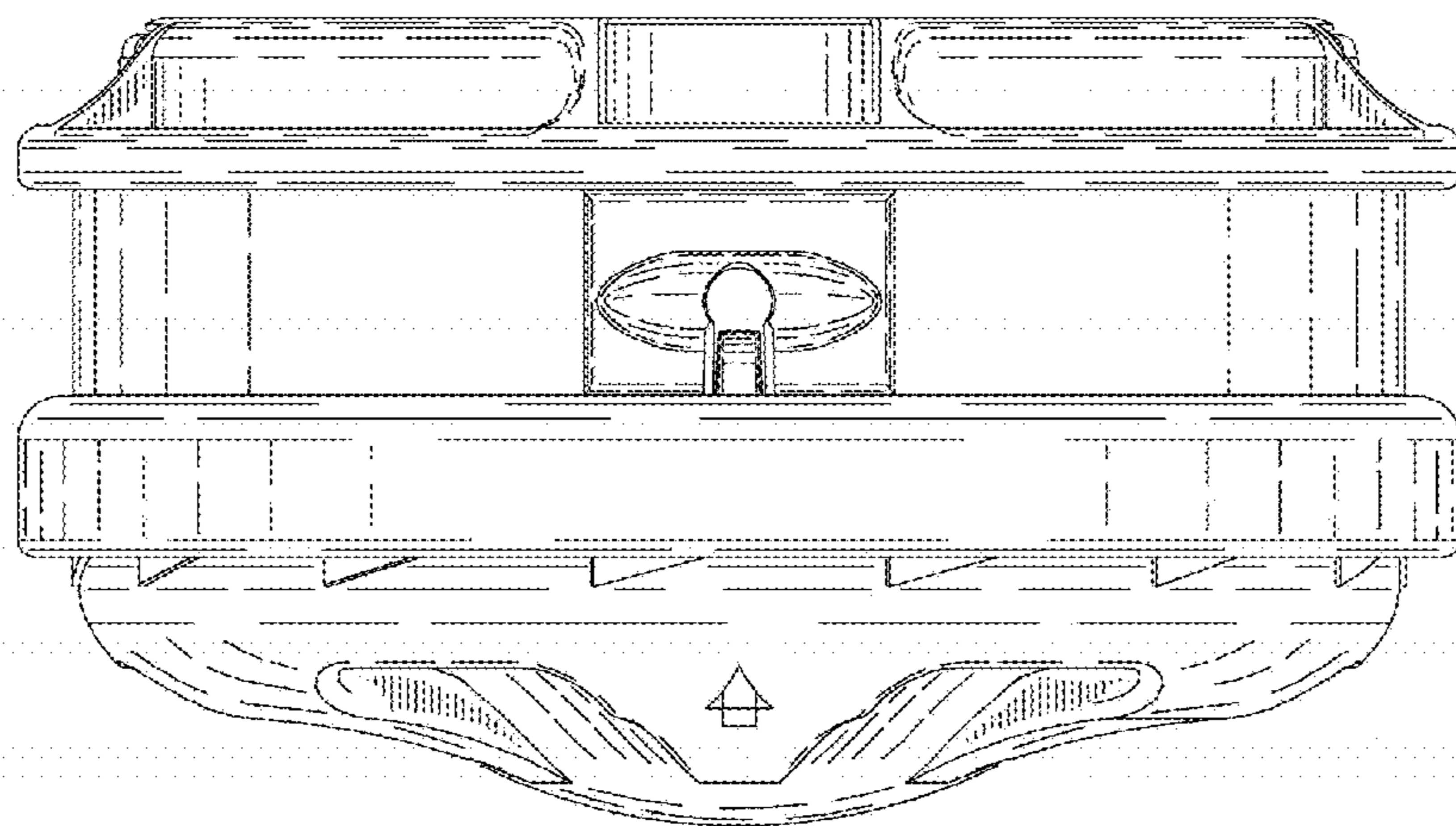


FIG. 3

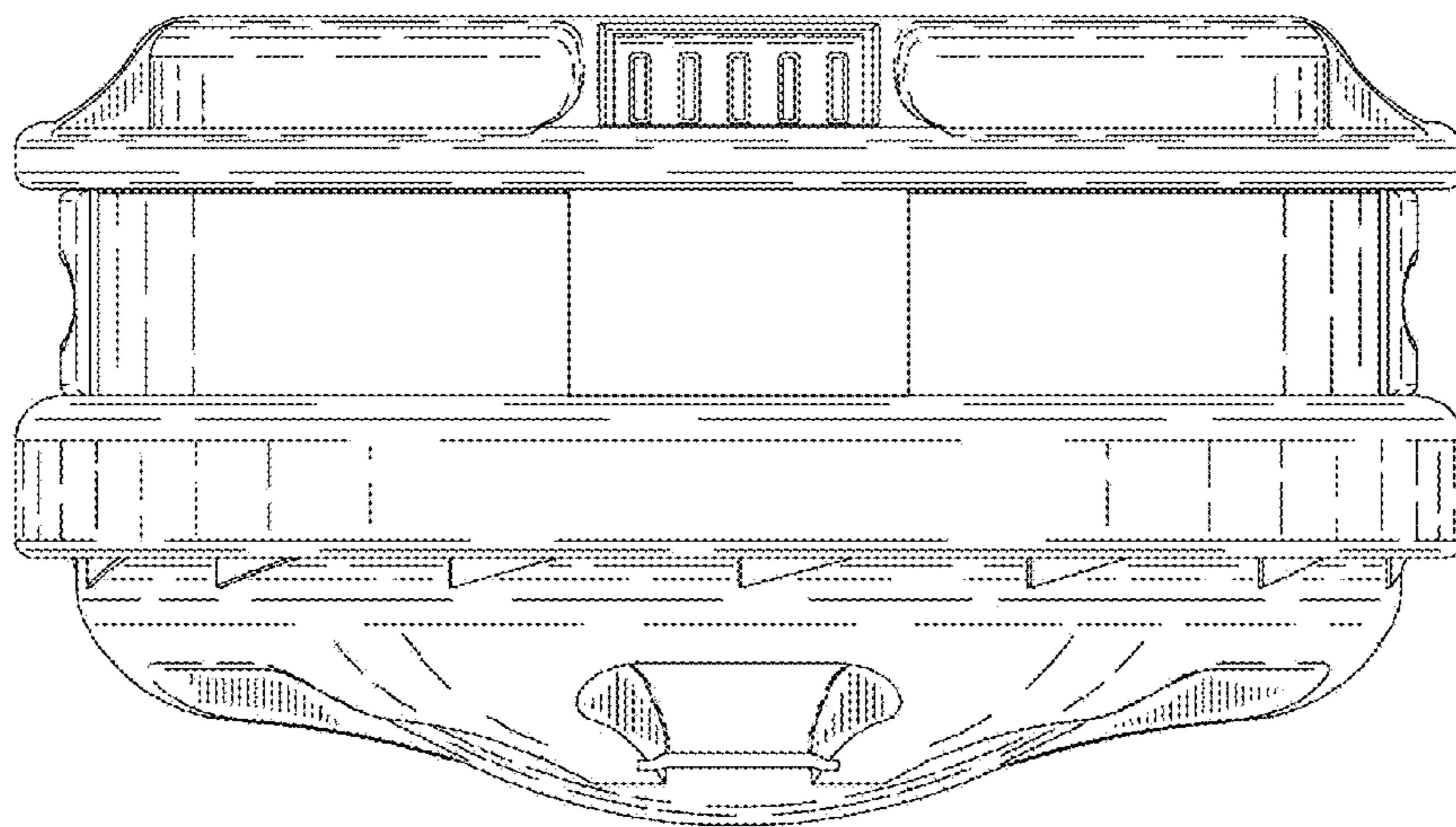


FIG. 4

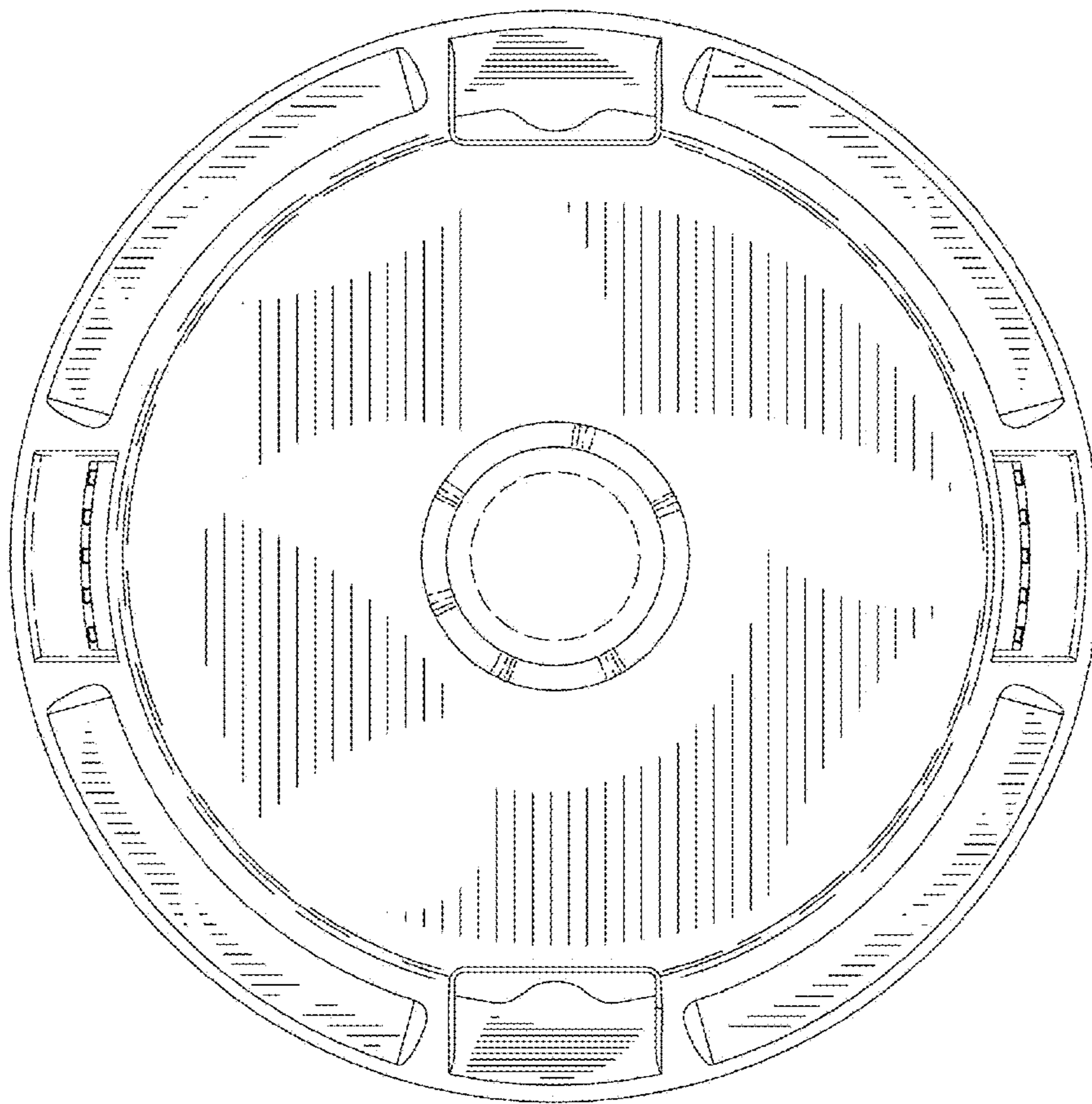


FIG. 5

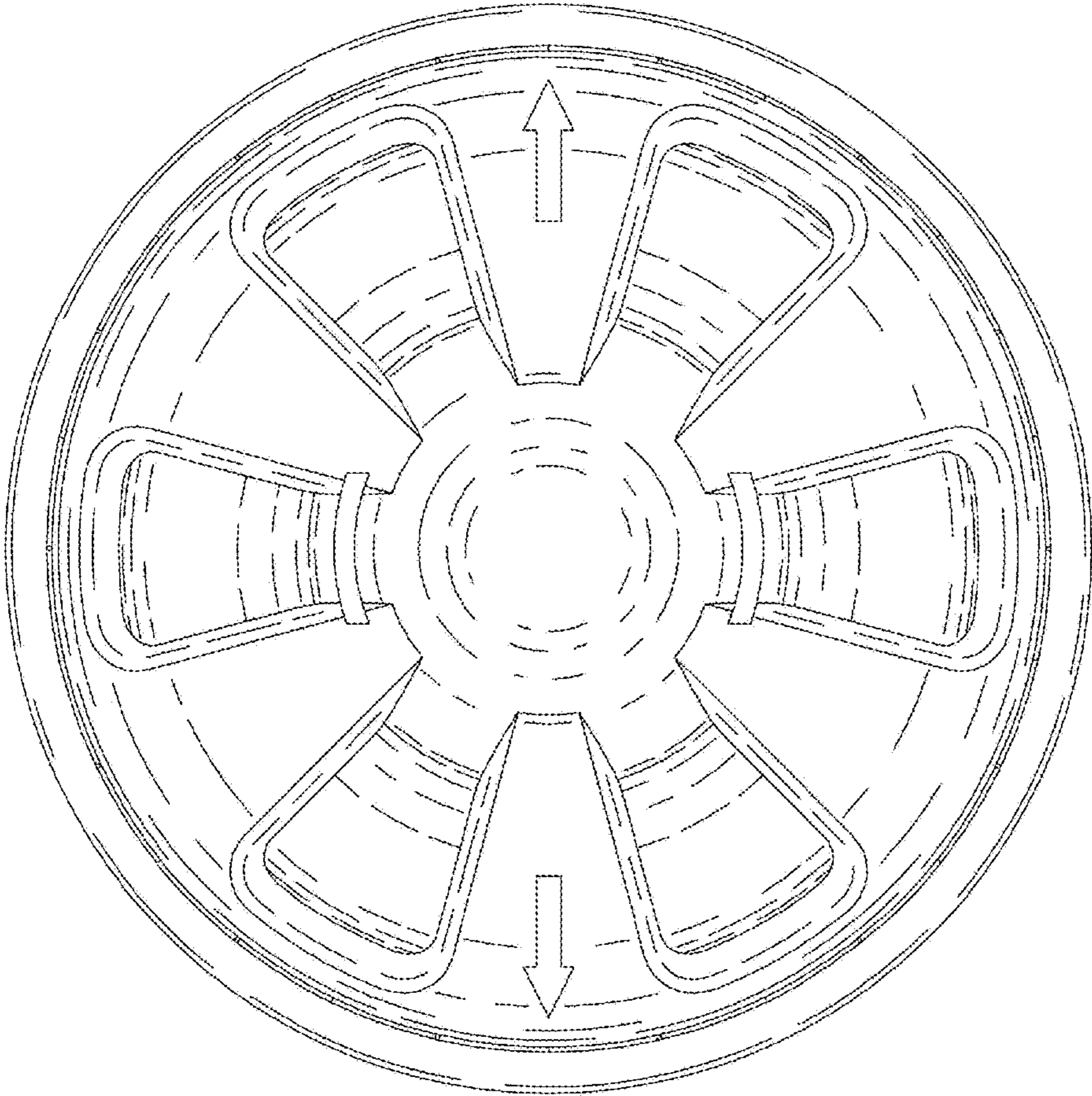


FIG. 6