



US00D715607S

(12) **United States Design Patent**
Lyytikäinen et al.

(10) **Patent No.:** **US D715,607 S**
(45) **Date of Patent:** **** Oct. 21, 2014**

(54) **GARDEN TOOL**
(71) Applicant: **Fiskars Brands Finland Oy Ab**, Billnäs (FI)
(72) Inventors: **Sami Lyytikäinen**, Lohja (FI);
Olli-Pekka Vänttilä, Lohja (FI);
Markus Onnela, Helsinki (FI)
(73) Assignee: **Fiskars Brands Finland Oy Ab**, Billnäs (FI)

5,570,510 A 11/1996 Linden
5,689,888 A 11/1997 Linden
D464,855 S * 10/2002 Clivio D8/5
D501,765 S * 2/2005 Tatic D8/5
7,441,337 B2 10/2008 Linden et al.
D620,771 S * 8/2010 Goetz et al. D8/5
8,046,924 B2 11/2011 Block et al.
8,220,164 B2 7/2012 Linden et al.
D684,828 S * 6/2013 Masalin et al. D8/5
D693,192 S * 11/2013 Masalin et al. D8/5
D693,658 S * 11/2013 Liu D8/5
D704,520 S * 5/2014 Lyytikainen et al. D8/5

(**) Term: **14 Years**

(21) Appl. No.: **29/466,544**

(22) Filed: **Sep. 9, 2013**

(30) **Foreign Application Priority Data**

Mar. 13, 2013 (EM) 002201814-0001
Mar. 13, 2013 (EM) 002201814-0002
Mar. 13, 2013 (EM) 002201814-0003

(51) **LOC (10) Cl.** **08-01**
(52) **U.S. Cl.**
USPC **D8/5**

(58) **Field of Classification Search**
CPC A01G 3/08; A01G 3/02; A01G 3/0255;
A01G 3/0251; B26B 13/26; B26B 17/00
USPC D8/4, 5, 52, 57-58; 30/251-252,
30/261-262, 266, 287, 131, 135
See application file for complete search history.

(56) **References Cited**

U.S. PATENT DOCUMENTS

5,020,222 A 6/1991 Gosselin et al.
D344,218 S 2/1994 Wensley et al.
D344,219 S 2/1994 Wensley et al.

OTHER PUBLICATIONS

U.S. Appl. No. 29/424,455, filed Jun. 12, 2012, Masalin et al.

(Continued)

Primary Examiner — Sheryl Lane

(74) *Attorney, Agent, or Firm* — Foley & Lardner LLP

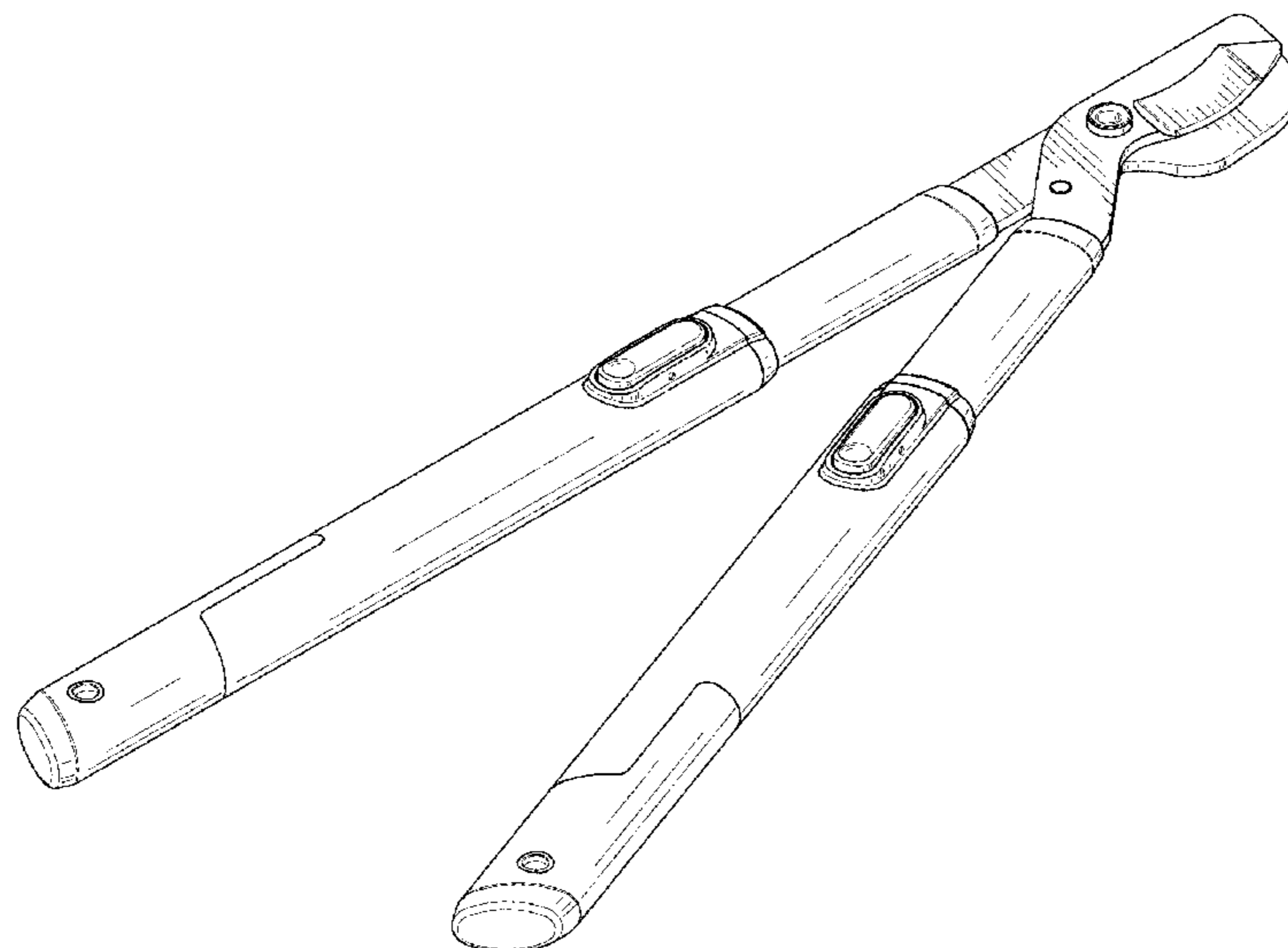
(57) **CLAIM**

We claim the ornamental design for a garden tool, as shown and described.

DESCRIPTION

FIG. 1 is a top perspective view of the claimed design;
FIG. 2 is a bottom perspective view of FIG. 1;
FIG. 3 is a top view of FIG. 1;
FIG. 4 is a bottom view of FIG. 1;
FIG. 5 is a left side view FIG. 1;
FIG. 6 is a right side view of FIG. 1;
FIG. 7 is a rear view of FIG. 1;
FIG. 8 is a front view of FIG. 1;
FIG. 9 is a top-perspective view of FIG. 1 with the handles in an extended position; and,
FIG. 10 is a bottom view of FIG. 4 with the handles in an extended position.

1 Claim, 8 Drawing Sheets



(56)

References Cited

OTHER PUBLICATIONS

U.S. Appl. No. 29/445,689, filed Feb. 14, 2013, Fiskars Brands Finland Oy Ab.

U.S. Appl. No. 29/445,690, filed Feb. 14, 2013, Fiskars Brands Finland Oy Ab.

U.S. Appl. No. 29/456,729, filed Jun. 3, 2013, Fiskars Brands Finland Oy Ab.

* cited by examiner

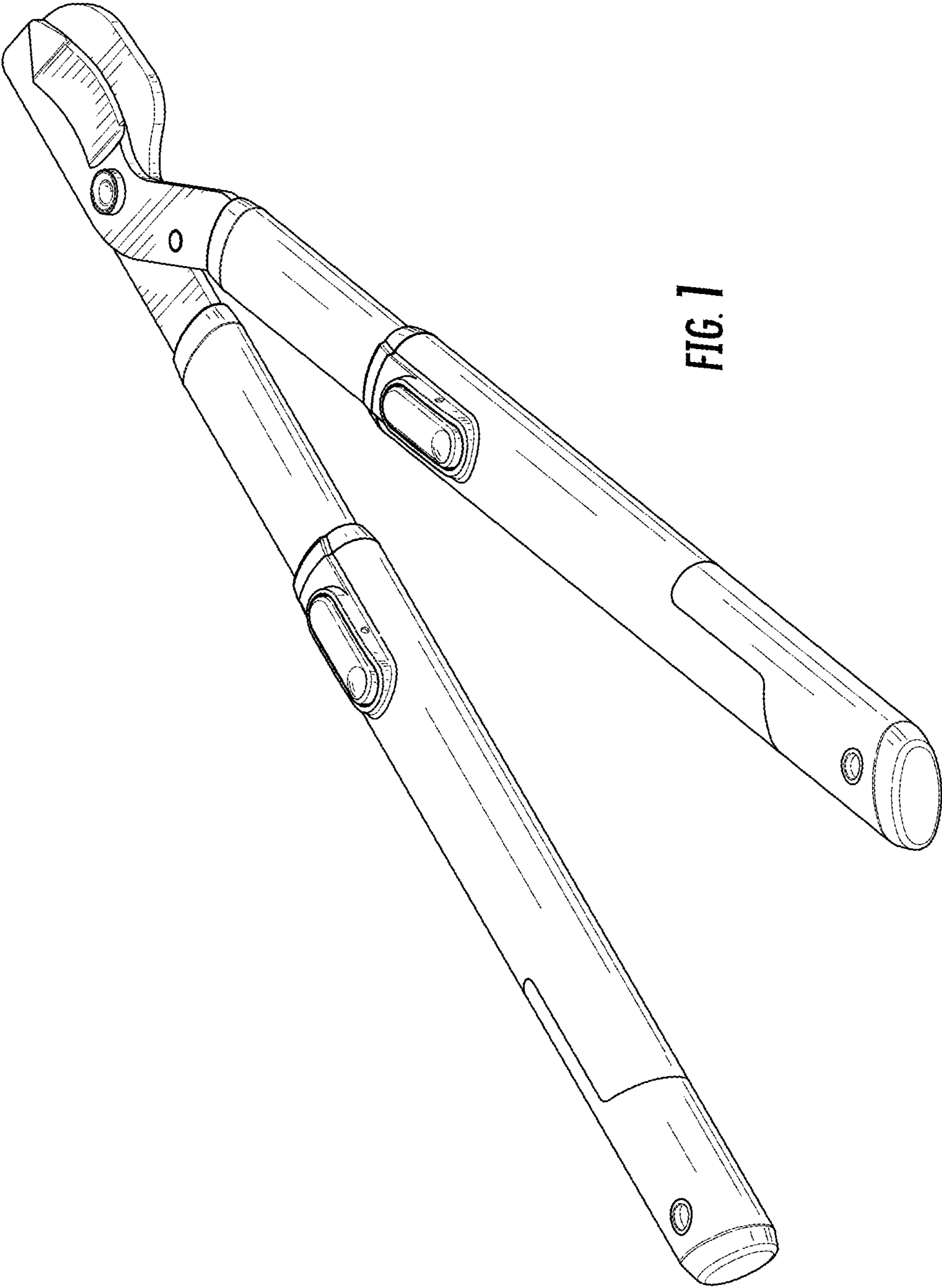


FIG. 1

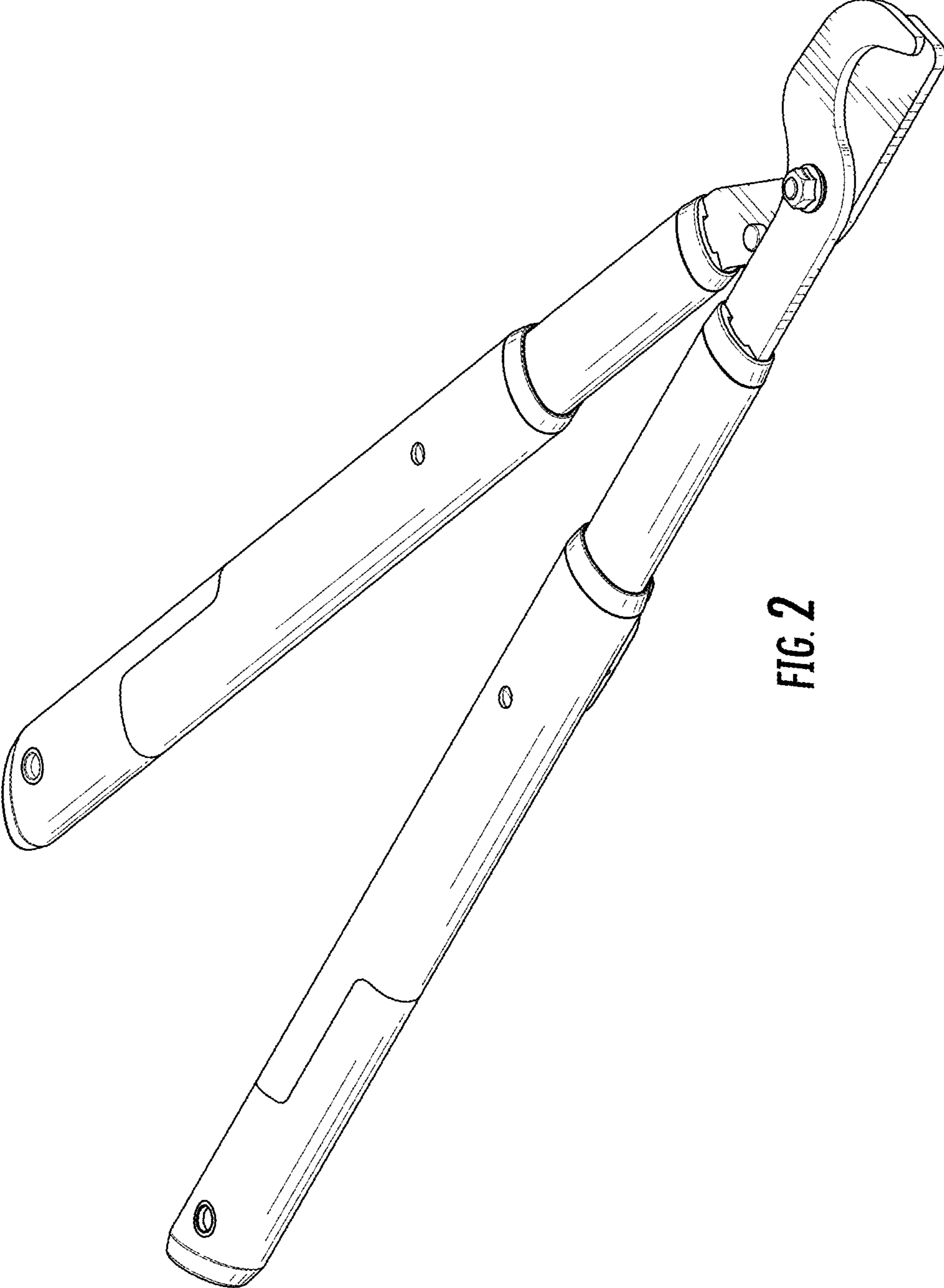


FIG. 2

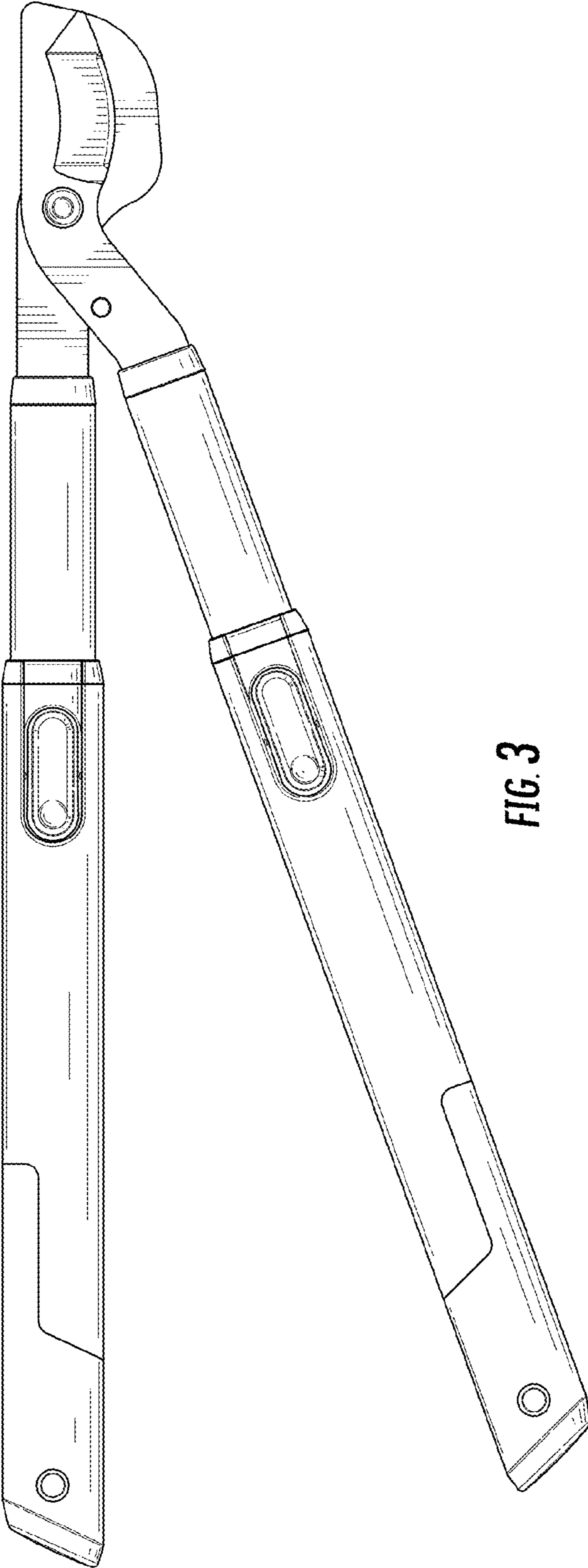


FIG. 3

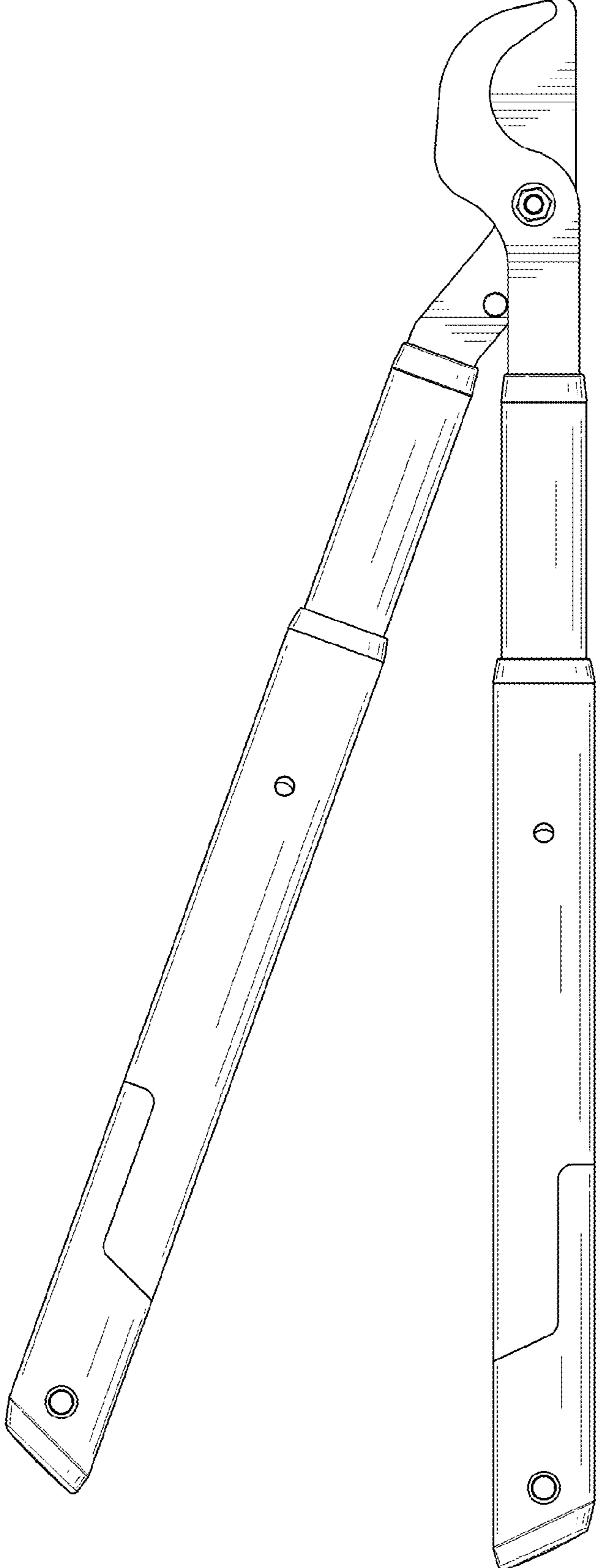


FIG. 4

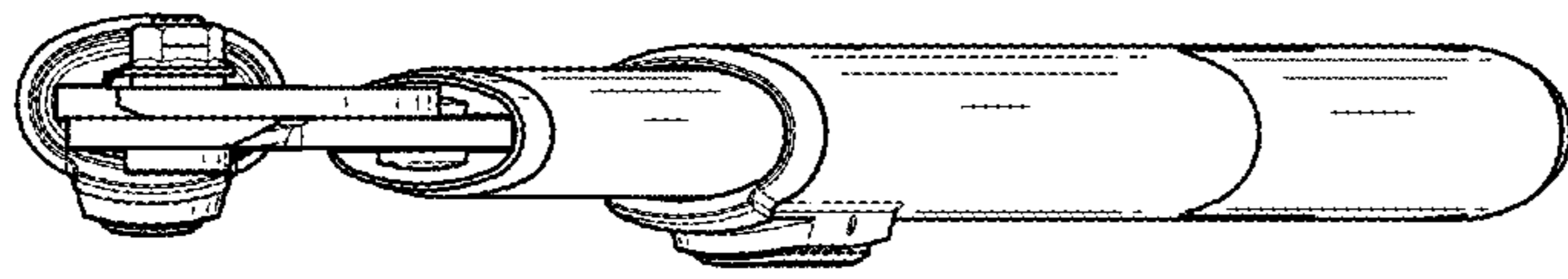


FIG. 6

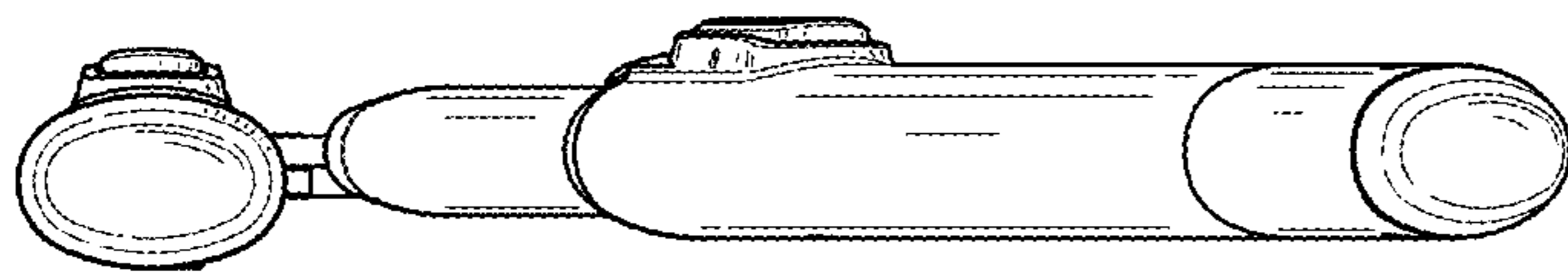


FIG. 5

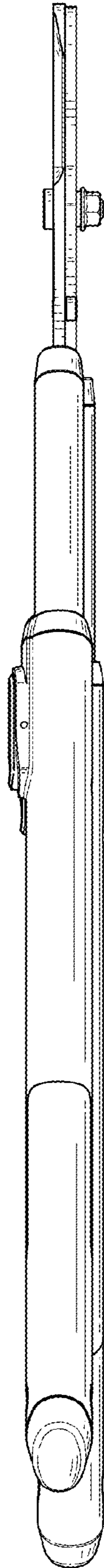


FIG. 7

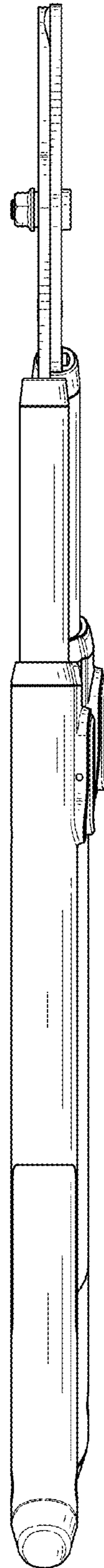


FIG. 8

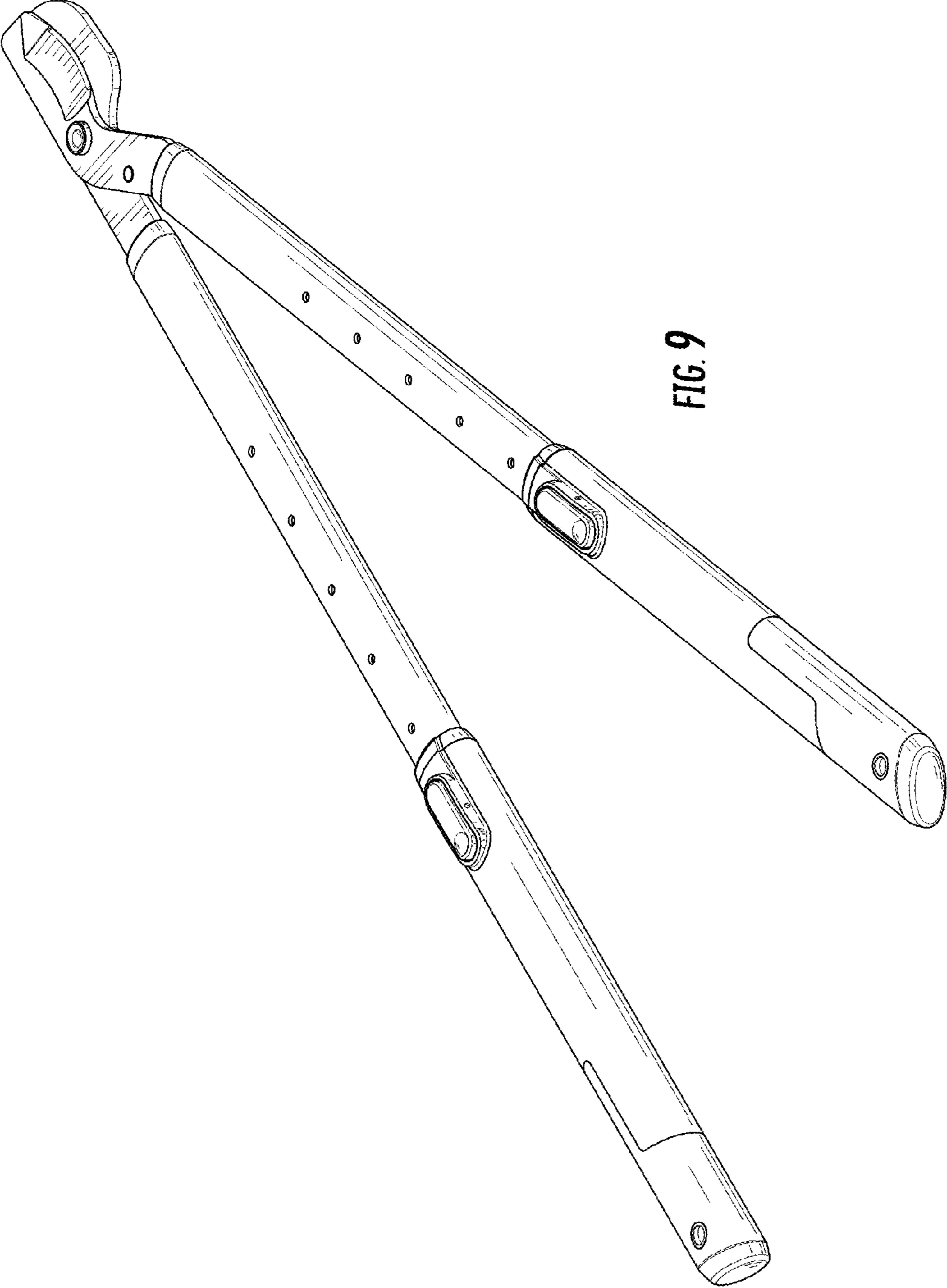


FIG. 9

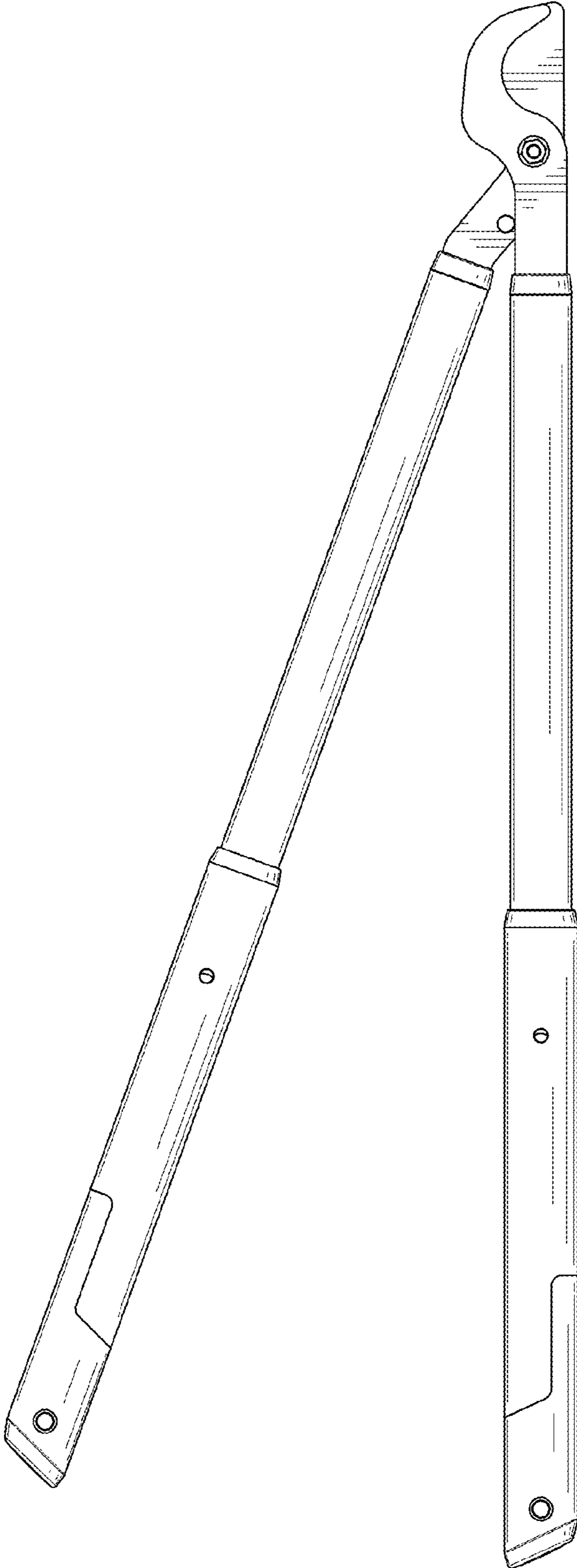


FIG. 10