



US00D715606S

(12) **United States Design Patent**
West

(10) **Patent No.:** **US D715,606 S**
(45) **Date of Patent:** **** Oct. 21, 2014**

(54) **CHRISTMAS WATERING DEVICE**

(71) Applicant: **Tom West**, Tucson, AZ (US)

(72) Inventor: **Tom West**, Tucson, AZ (US)

(**) Term: **14 Years**

(21) Appl. No.: **29/461,648**

(22) Filed: **Jul. 25, 2013**

(51) **LOC (10) Cl.** **08-01**

(52) **U.S. Cl.**
USPC **D8/1**

(58) **Field of Classification Search**
USPC D8/1; 47/40.5, 48.5; D15/150; D7/700;
D11/130

See application file for complete search history.

(56) **References Cited**

U.S. PATENT DOCUMENTS

D359,889	S	*	7/1995	Hayes	D8/1
D364,540	S	*	11/1995	Wasyln	D8/2
D373,939	S	*	9/1996	Swerdlick et al.	D8/1
D375,878	S	*	11/1996	Morris	D7/700
D380,946	S	*	7/1997	Peaphon	D8/1
5,661,926	A	*	9/1997	Granger	47/40.5
5,791,083	A	*	8/1998	Giangrossi	47/40.5
5,799,437	A	*	9/1998	Evans et al.	47/40.5
5,809,691	A	*	9/1998	Frantz	47/40.5
5,867,929	A	*	2/1999	Jung et al.	47/40.5
5,894,695	A	*	4/1999	Stellatos	47/40.5
D427,029	S	*	6/2000	Pottmeyer	D8/1
6,073,390	A	*	6/2000	Baudier	47/40.5
6,082,043	A	*	7/2000	Andrews	47/40.5
6,347,479	B1	*	2/2002	Greenberg et al.	47/48.5

D457,399	S	*	5/2002	Jaggernaut	D8/1
D510,846	S	*	10/2005	Hardy	D8/1
7,147,014	B2	*	12/2006	Chien	141/95
D579,281	S	*	10/2008	Miller et al.	D8/1
D611,781	S	*	3/2010	Sagedy	D8/1
D629,269	S	*	12/2010	Okamoto	D7/700
D668,511	S	*	10/2012	Messersmith et al.	D8/1
D669,751	S	*	10/2012	Kent	D7/700
D671,379	S	*	11/2012	Lion et al.	D7/700
D676,292	S	*	2/2013	Cetera	D7/700
D677,132	S	*	3/2013	Cetera	D7/700
D680,827	S	*	4/2013	Cetera	D7/700

* cited by examiner

Primary Examiner — Sheryl Lane

(74) *Attorney, Agent, or Firm* — Dale F. Regelman; Quarles & Brady LLP

(57) **CLAIM**

The ornamental design for a Christmas watering device, as shown and described.

DESCRIPTION

FIG. 1 is an environmental first perspective view of the design of this invention.

FIG. 2 is a second perspective view;

FIG. 3 is a first side view;

FIG. 4 is a second side view;

FIG. 5 is a third side view;

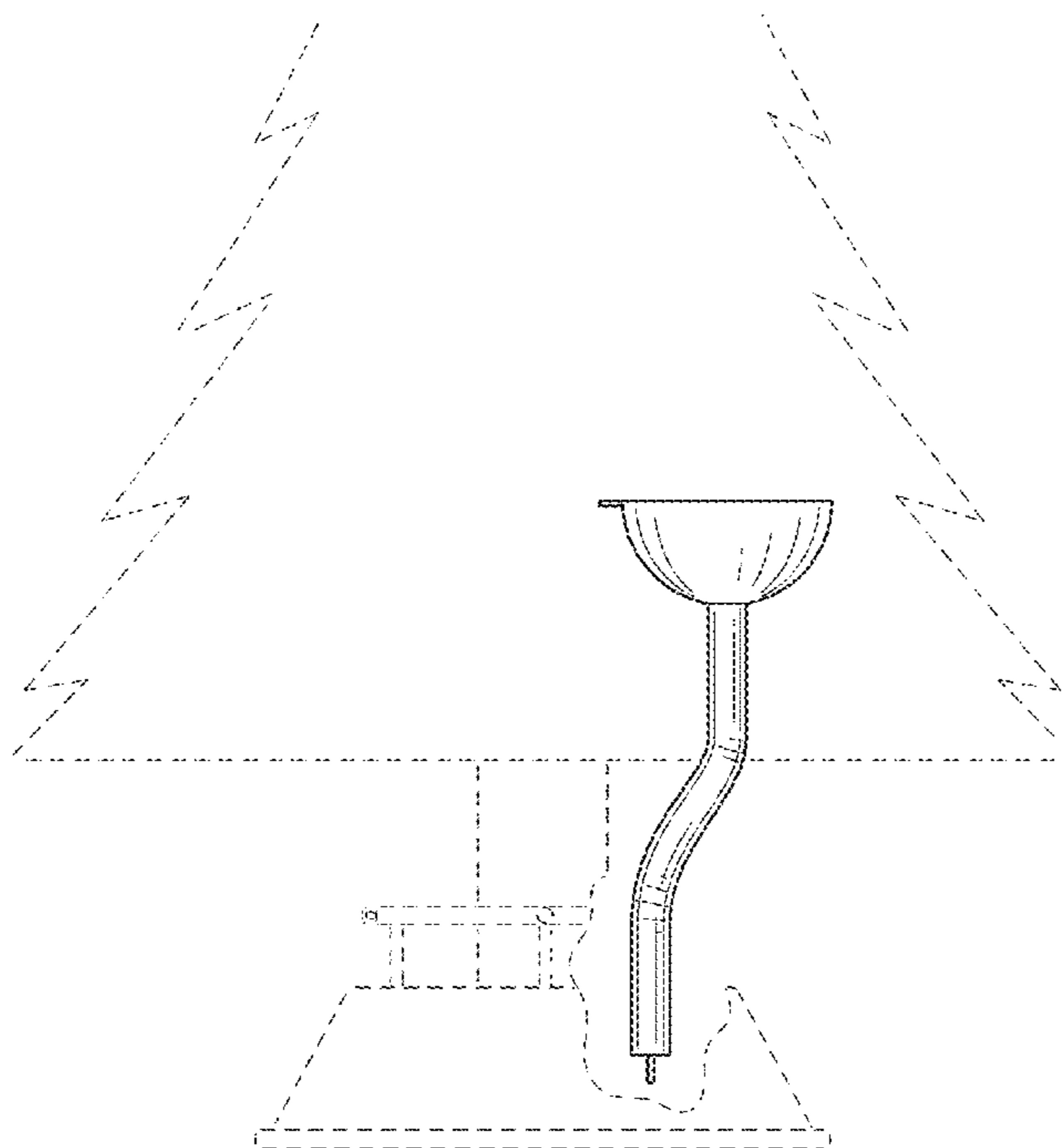
FIG. 6 is a fourth side view; and,

FIG. 7 is a top view; and,

FIG. 8 is a bottom view.

The broken lines represent environment and form no part of the claimed design. The material of the stem is flexible.

1 Claim, 4 Drawing Sheets



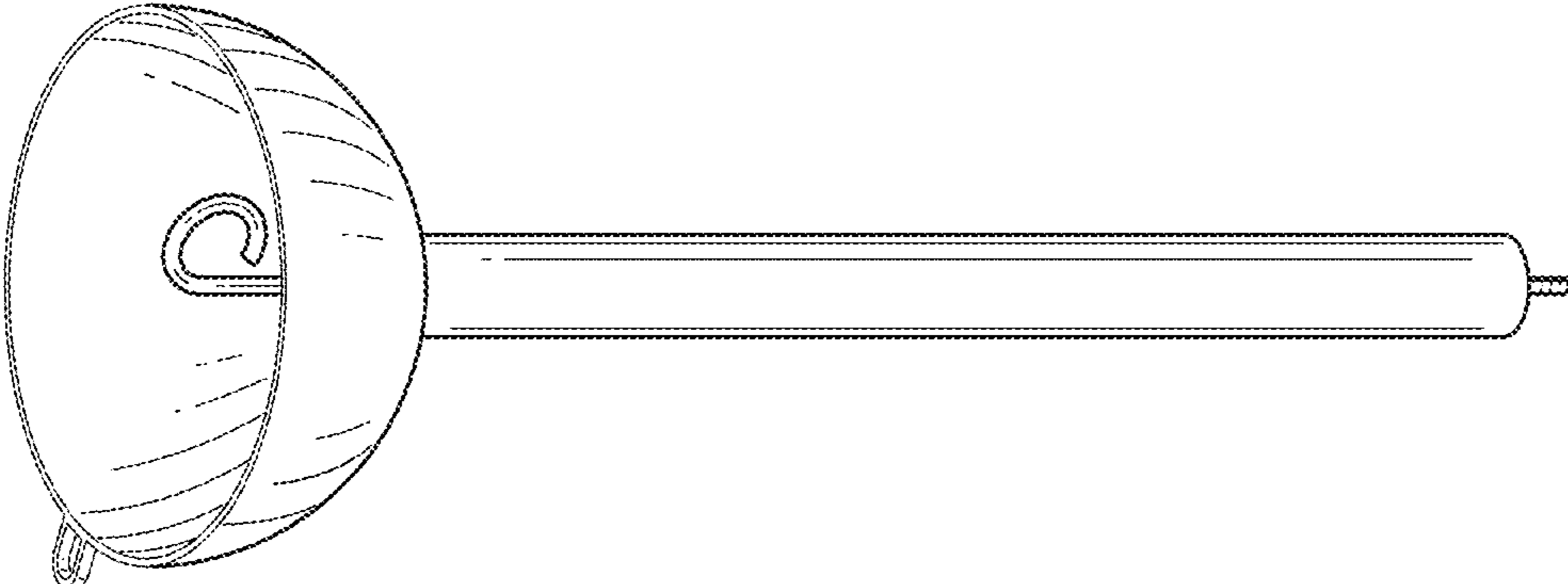


FIG. 2

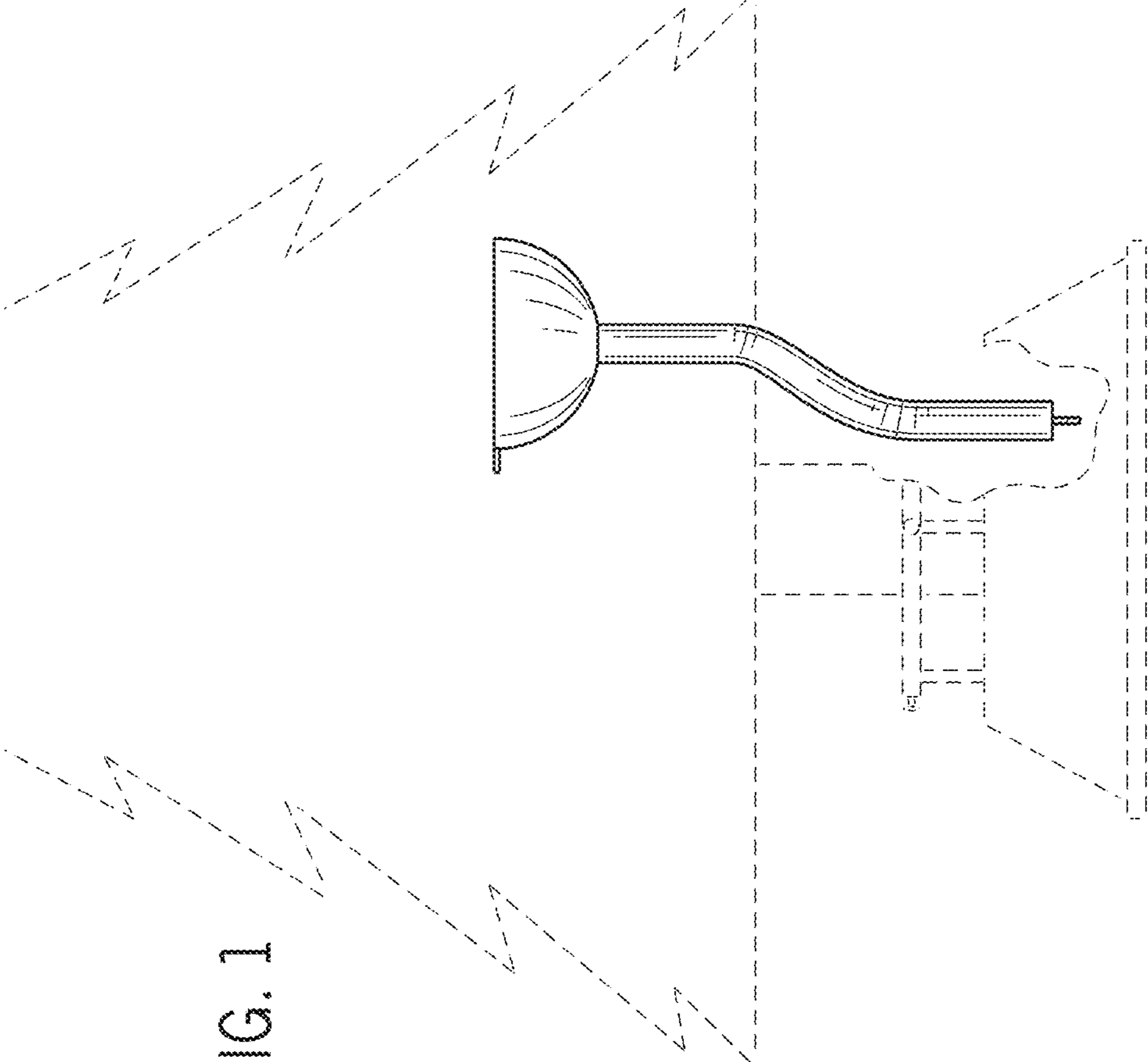


FIG. 1

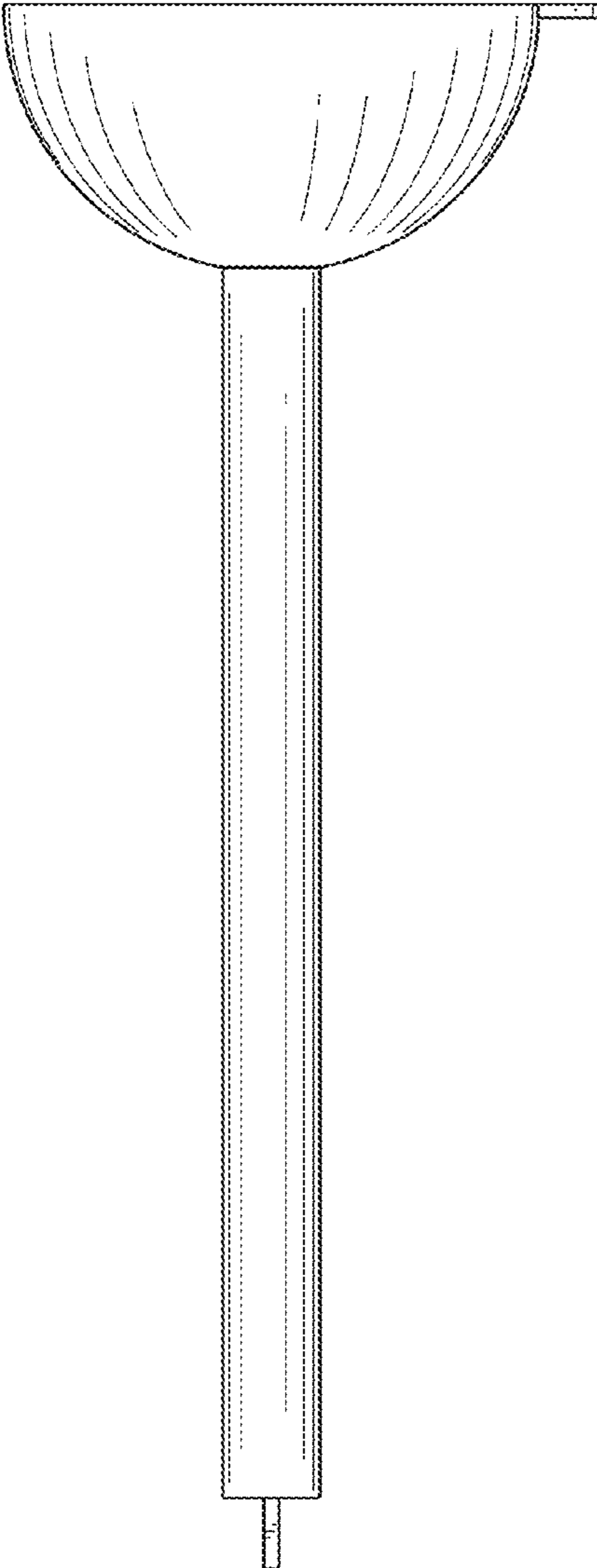


FIG. 3

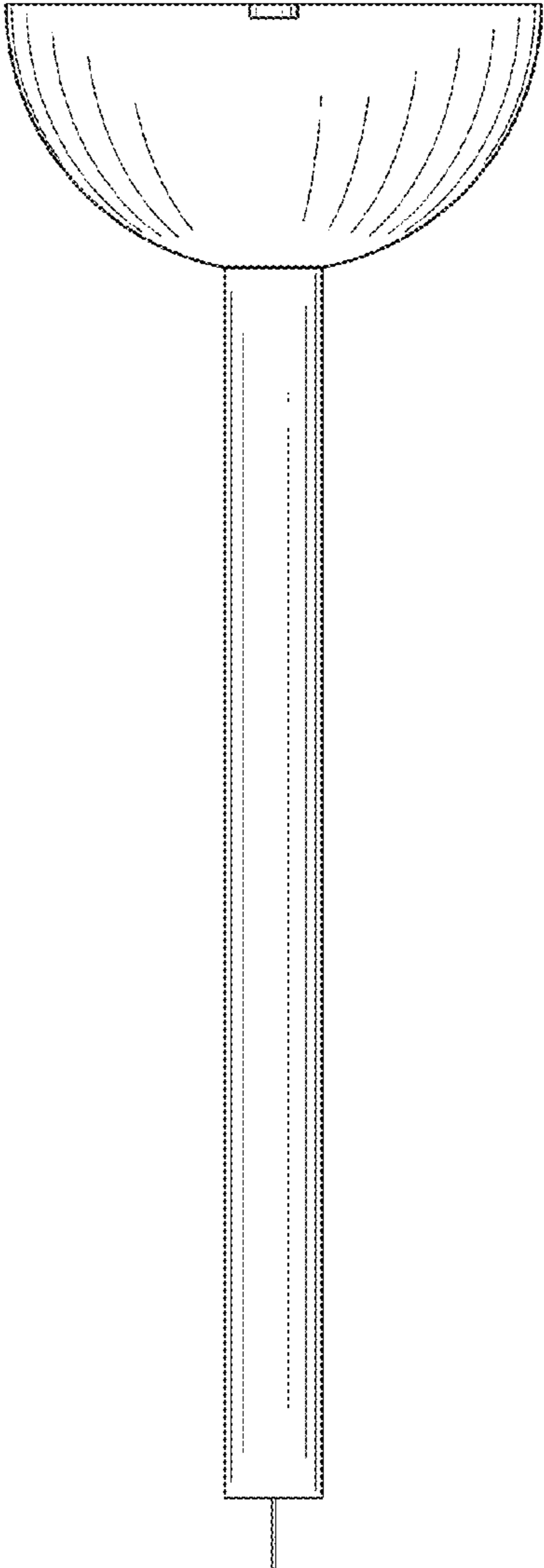


FIG. 4

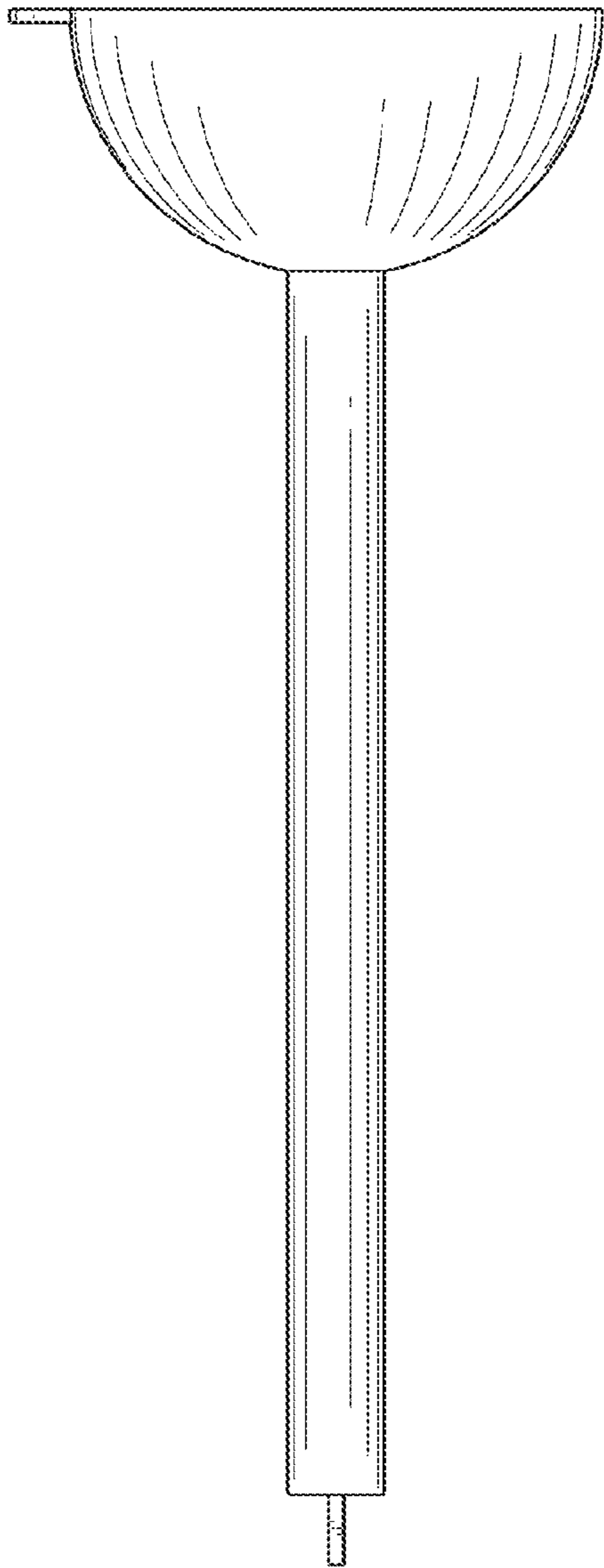


FIG. 5

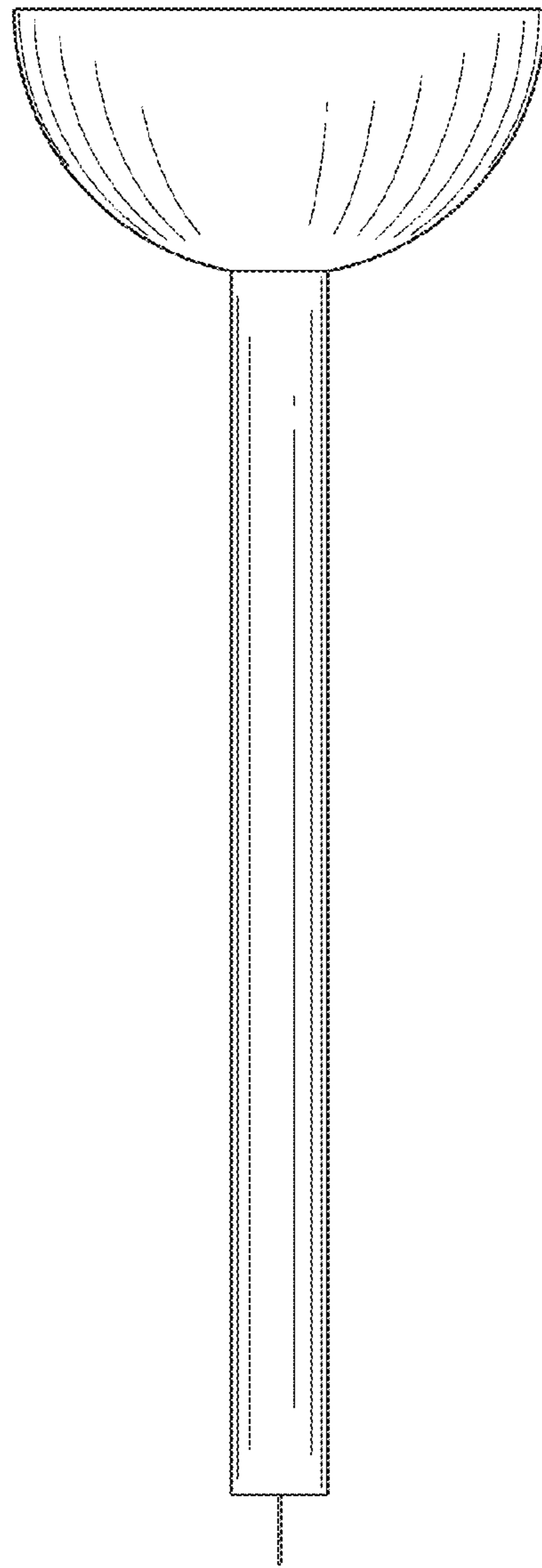


FIG. 6

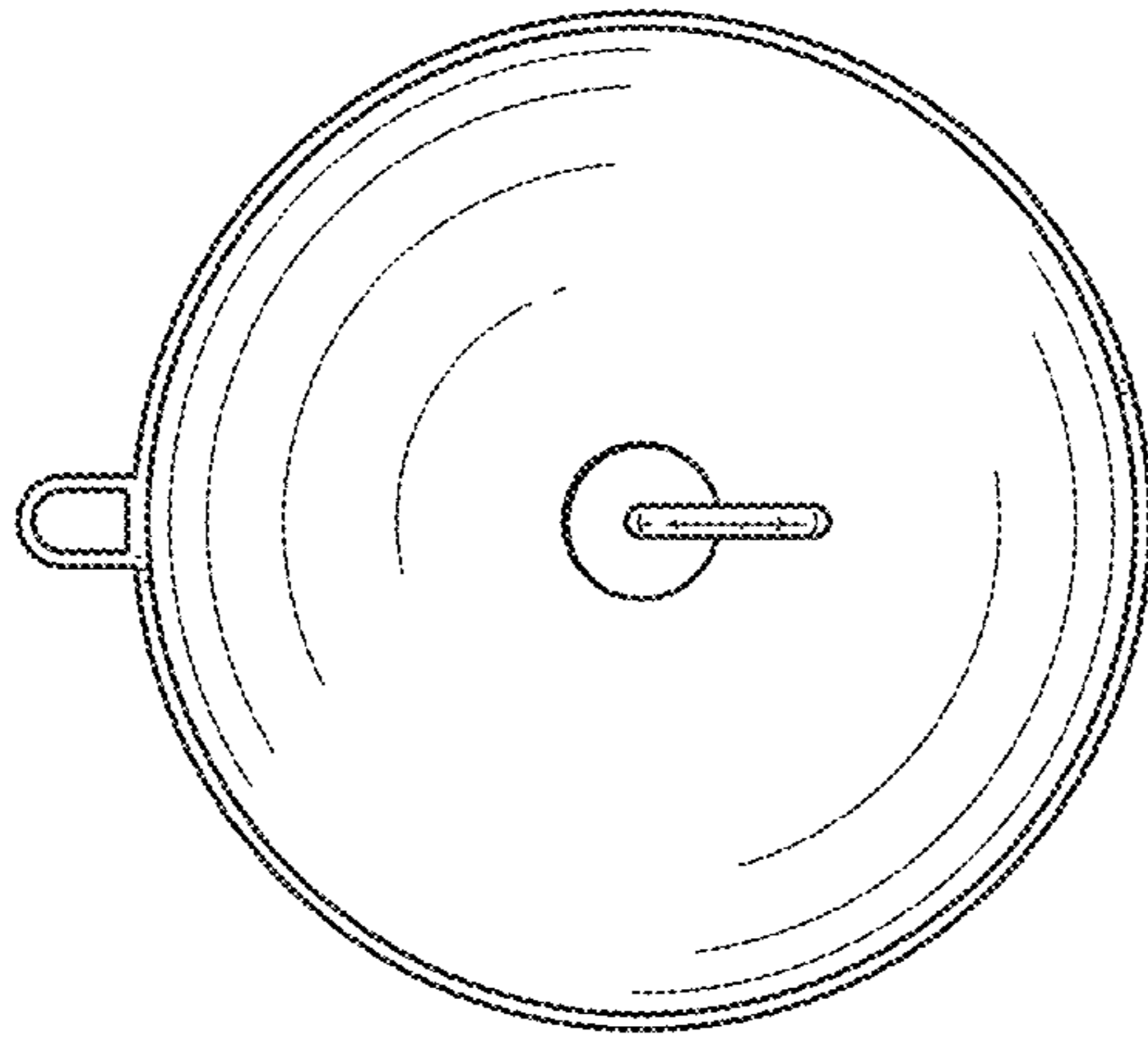


FIG. 7

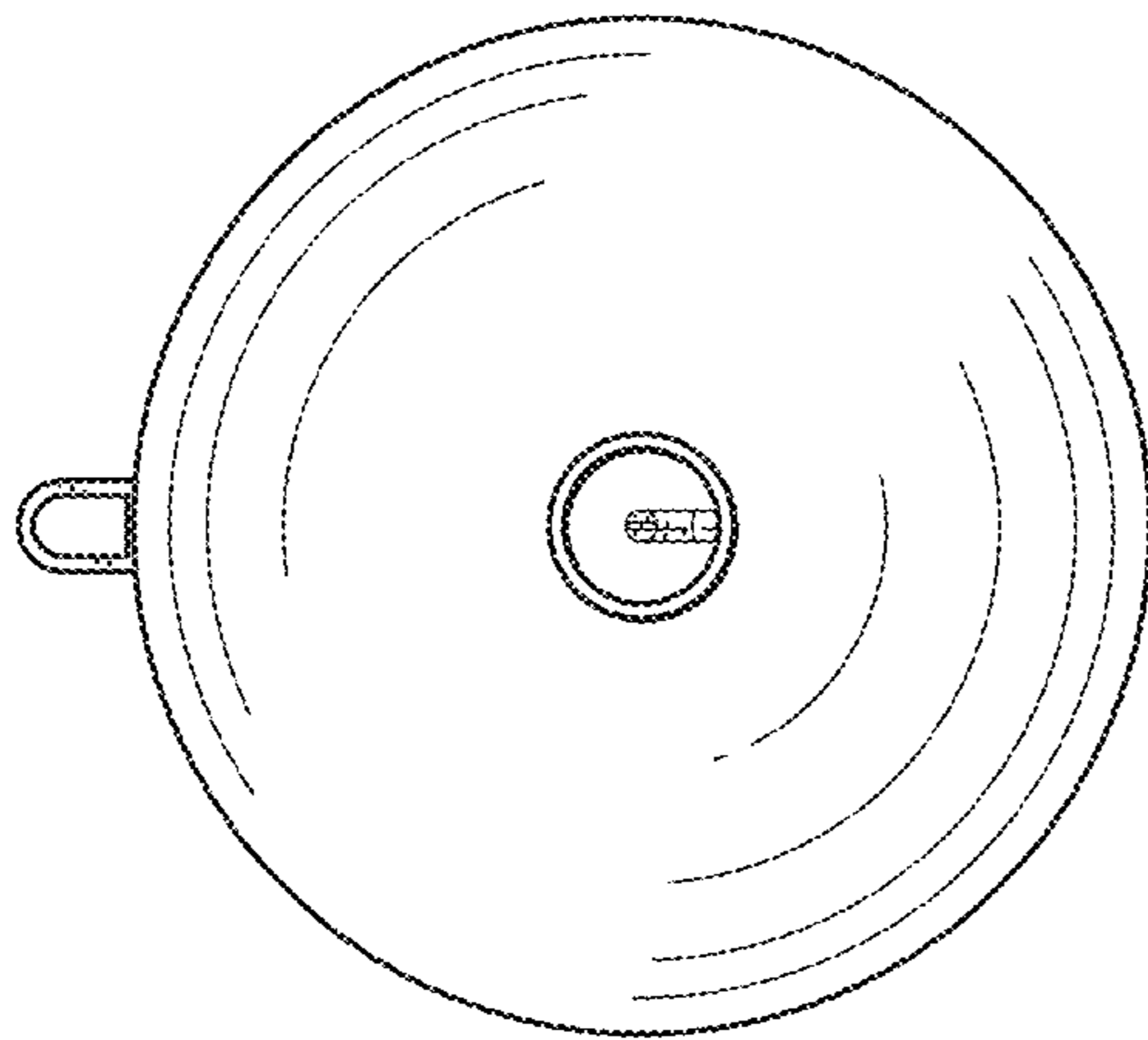


FIG. 8