



US00D715605S

(12) **United States Design Patent**
Zemel et al.

(10) **Patent No.:** **US D715,605 S**
(45) **Date of Patent:** **** Oct. 21, 2014**

- (54) **SPATULA**
- (71) Applicant: **Blue Rhino Global Sourcing, Inc.**,
Liberty, MO (US)
- (72) Inventors: **Marc Zemel**, Old Bethpage, NY (US);
Adam Schillen, Dix Hills, NY (US)
- (73) Assignee: **Blue Rhino Global Sourcing, Inc.**,
Liberty, MO (US)
- (**) Term: **14 Years**
- (21) Appl. No.: **29/472,147**
- (22) Filed: **Nov. 8, 2013**
- (51) **LOC (10) Cl.** **07-02**
- (52) **U.S. Cl.**
USPC **D7/692; D7/688**
- (58) **Field of Classification Search**
CPC A47J 43/288
USPC D7/680-695; D32/40, 43, 46; 7/110,
7/113; 294/7, 8, 49, 176; 15/236.07,
15/236.08, 236.01, 245, 143.1; 30/142,
30/124, 123

See application file for complete search history.

D496,558 S	9/2004	Zemel
D528,857 S	9/2006	Zemel
D529,333 S	10/2006	Zemel
D529,335 S	10/2006	Zemel
D531,853 S	11/2006	Zemel
D533,397 S	12/2006	Zemel
D534,001 S	12/2006	Zemel
D535,147 S	1/2007	Zemel
D535,519 S	1/2007	Zemel
D544,750 S	6/2007	Zemel
D545,120 S	6/2007	Zemel
D545,121 S	6/2007	Zemel
D545,645 S *	7/2007	Lion et al. D7/692
D550,504 S	9/2007	Zemel
D562,062 S	2/2008	Zemel
D562,064 S	2/2008	Zemel
D563,675 S	3/2008	Zemel
D564,292 S	3/2008	Zemel

(Continued)

Primary Examiner — Terry Wallace

(74) *Attorney, Agent, or Firm* — Carter, DeLuca, Farrell & Schmidt, LLP

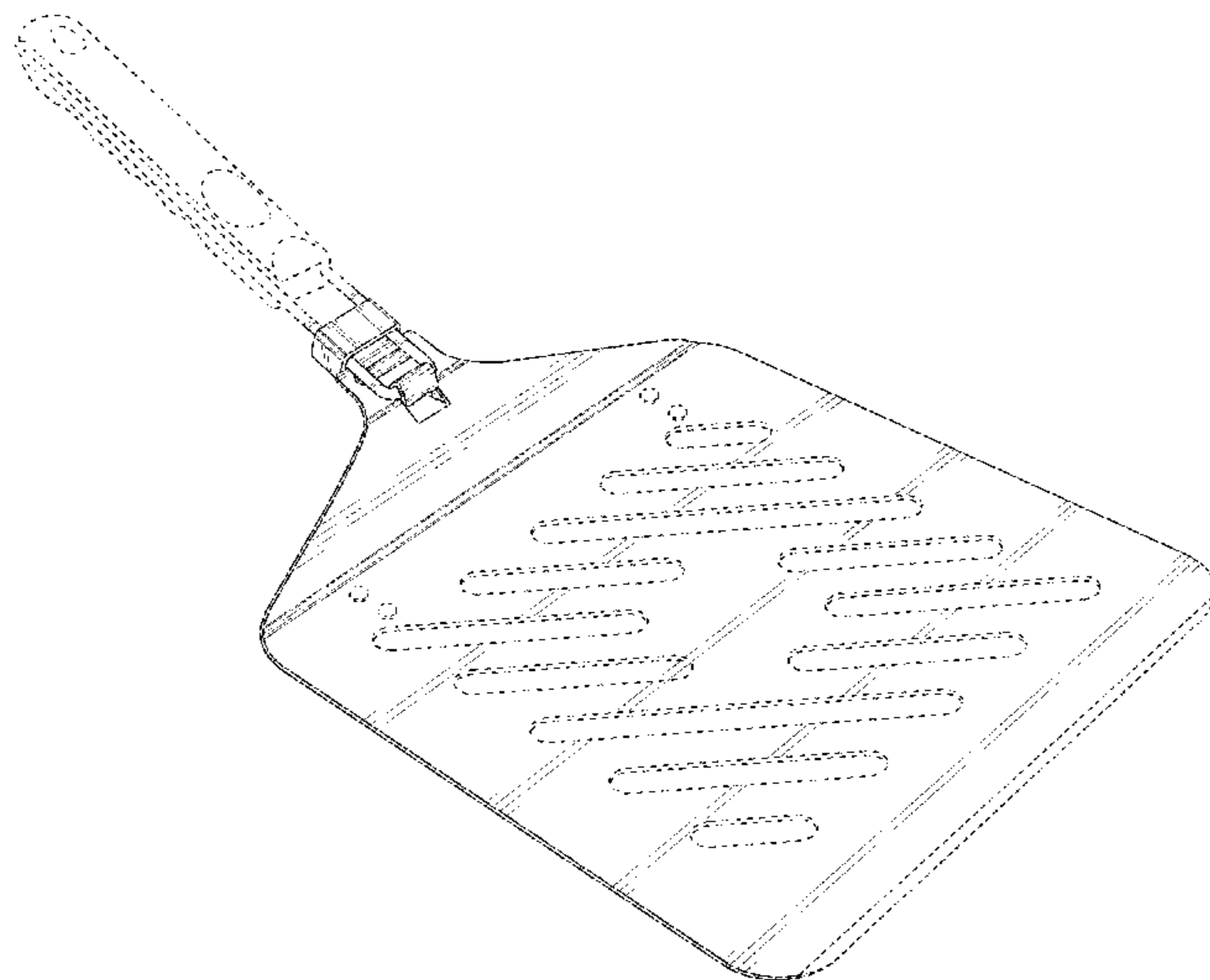
(57) **CLAIM**
The ornamental design for a spatula, as shown and described.

DESCRIPTION

FIG. 1 is a perspective view of a spatula in accordance with the present design;
 FIG. 2 is a right side elevational view thereof, the left side elevational view being a mirror image thereof;
 FIG. 3 is a front side elevational view thereof;
 FIG. 4 is a rear side elevational view thereof;
 FIG. 5 is a top plan view thereof;
 FIG. 6 is a bottom plan view thereof; and,
 FIG. 7 is a perspective view of the spatula in a locked configuration in accordance with the present design.
 The broken lines shown are included for the purpose of illustrating a portion of the spatula that forms no part of the claimed design.

1 Claim, 6 Drawing Sheets

- (56) **References Cited**
U.S. PATENT DOCUMENTS
- | | | | | |
|---------------|---------|-------------|-------|--------|
| 3,906,632 A * | 9/1975 | Oppenheimer | | 30/322 |
| 5,213,384 A * | 5/1993 | Baker | | 294/7 |
| D427,858 S | 7/2000 | Zemel | | |
| D456,207 S | 4/2002 | Zemel | | |
| D456,615 S | 5/2002 | Zemel | | |
| D463,952 S | 10/2002 | Zemel | | |
| D465,336 S | 11/2002 | Zemel | | |
| D474,644 S | 5/2003 | Zemel | | |
| D476,525 S | 7/2003 | Zemel | | |
| D482,566 S | 11/2003 | Zemel | | |
| D494,006 S | 8/2004 | Zemel | | |
| D494,807 S | 8/2004 | Zemel | | |



(56)

References Cited

U.S. PATENT DOCUMENTS

D566,460 S 4/2008 Zemel
D569,174 S 5/2008 Zemel
D572,079 S 7/2008 Zemel
D572,080 S 7/2008 Zemel
D574,184 S 8/2008 Zemel
D579,269 S 10/2008 Zemel
D579,668 S 11/2008 Zemel

D580,659 S 11/2008 Zemel
D588,868 S 3/2009 Zemel
D618,499 S 6/2010 Zemel
D622,542 S 8/2010 Zemel
D660,141 S 5/2012 Zemel
D663,159 S 7/2012 Zemel
D678,005 S 3/2013 Zemel
D679,963 S 4/2013 Zemel
2006/0255605 A1* 11/2006 Yu 294/7

* cited by examiner

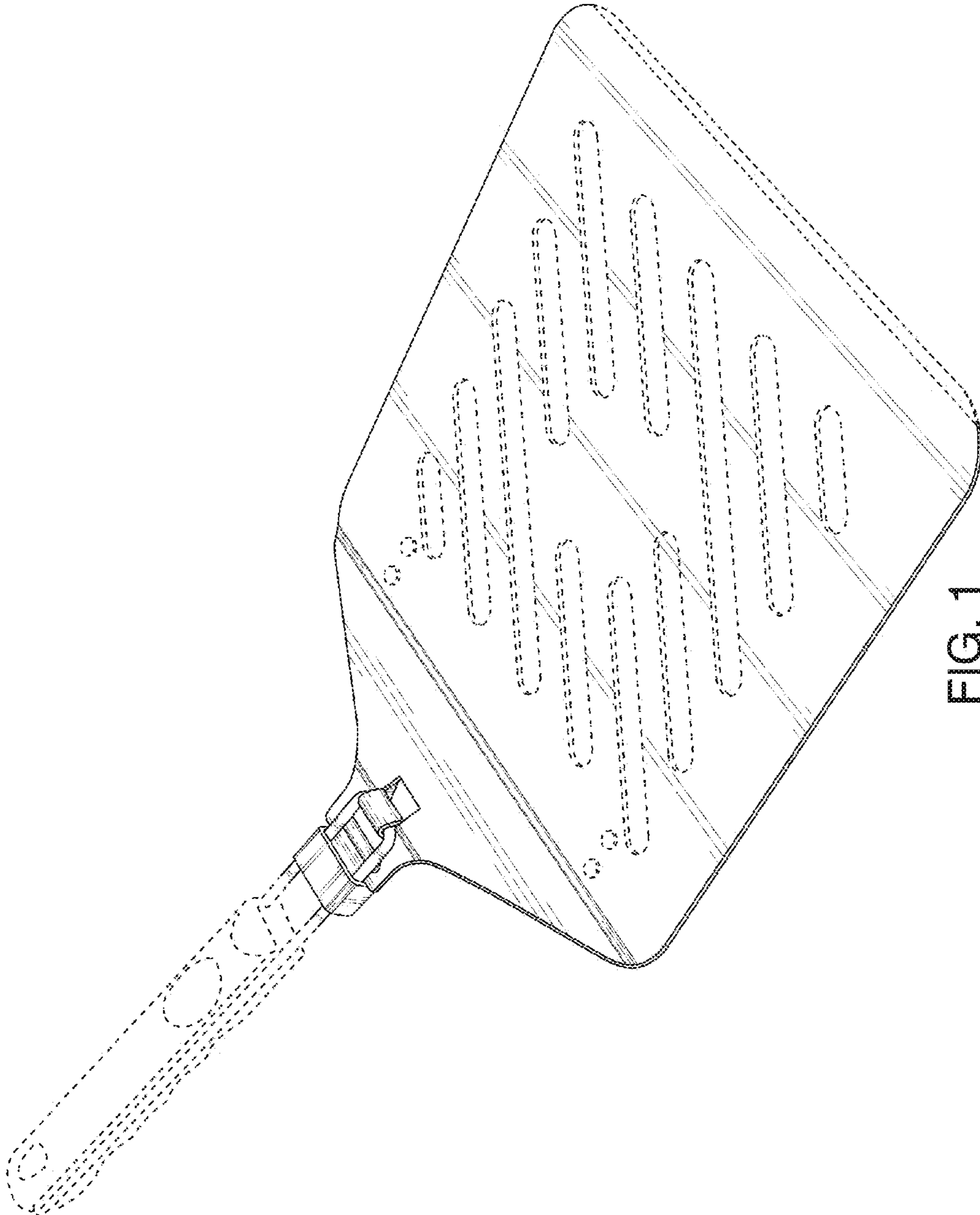


FIG. 1

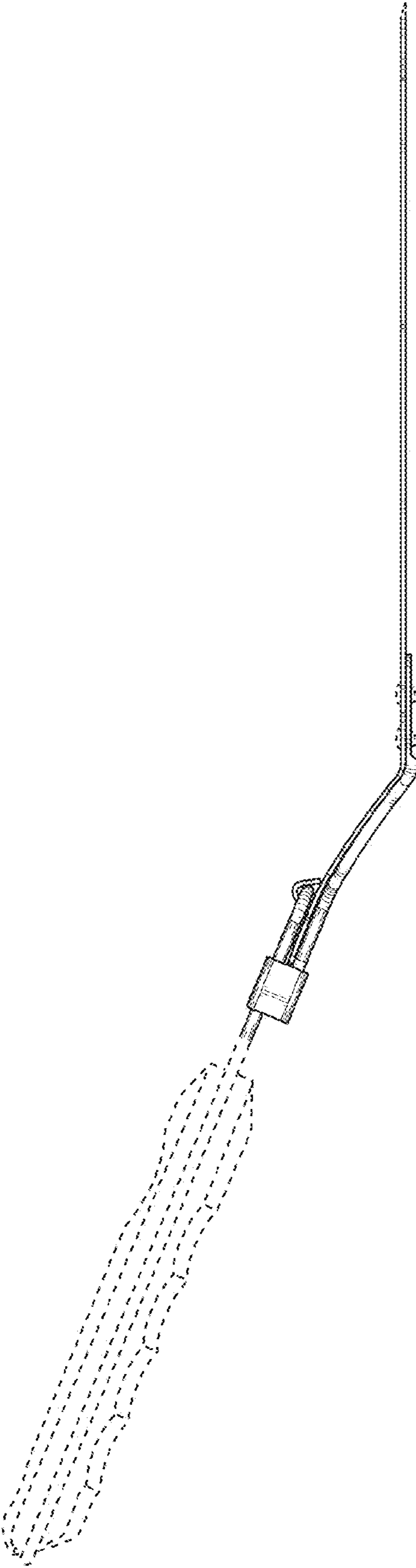


FIG. 2

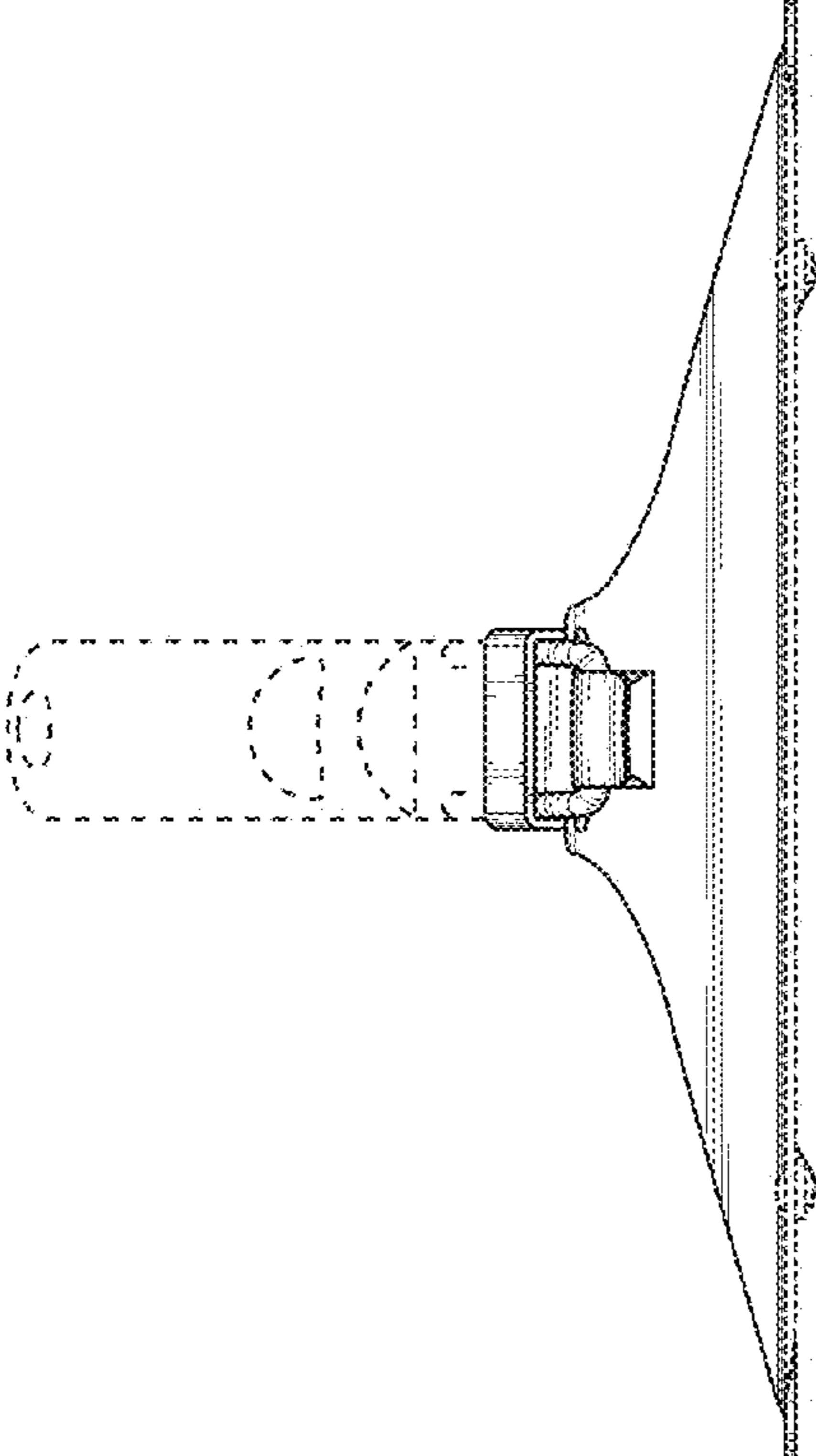


FIG. 3

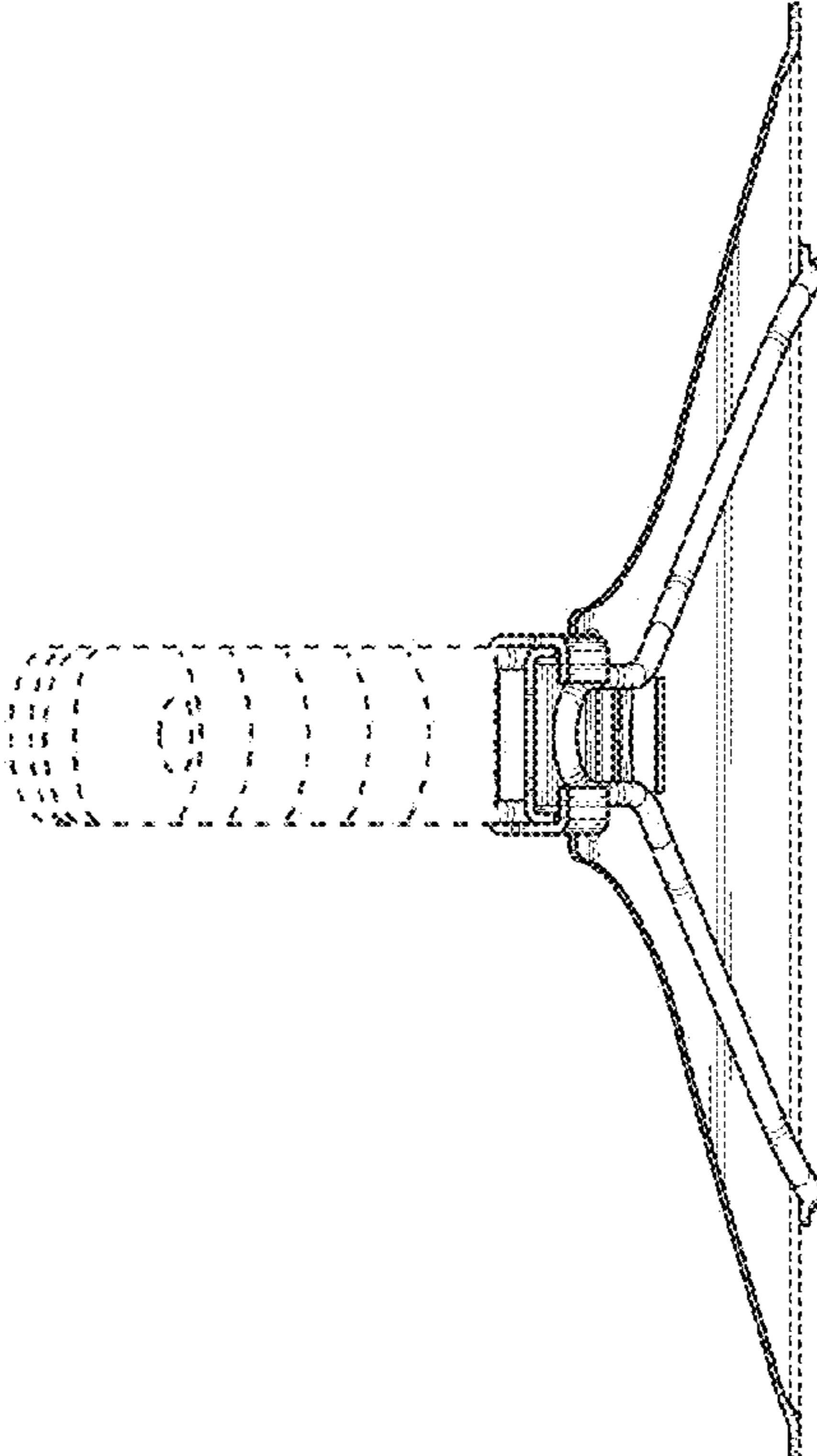


FIG. 4

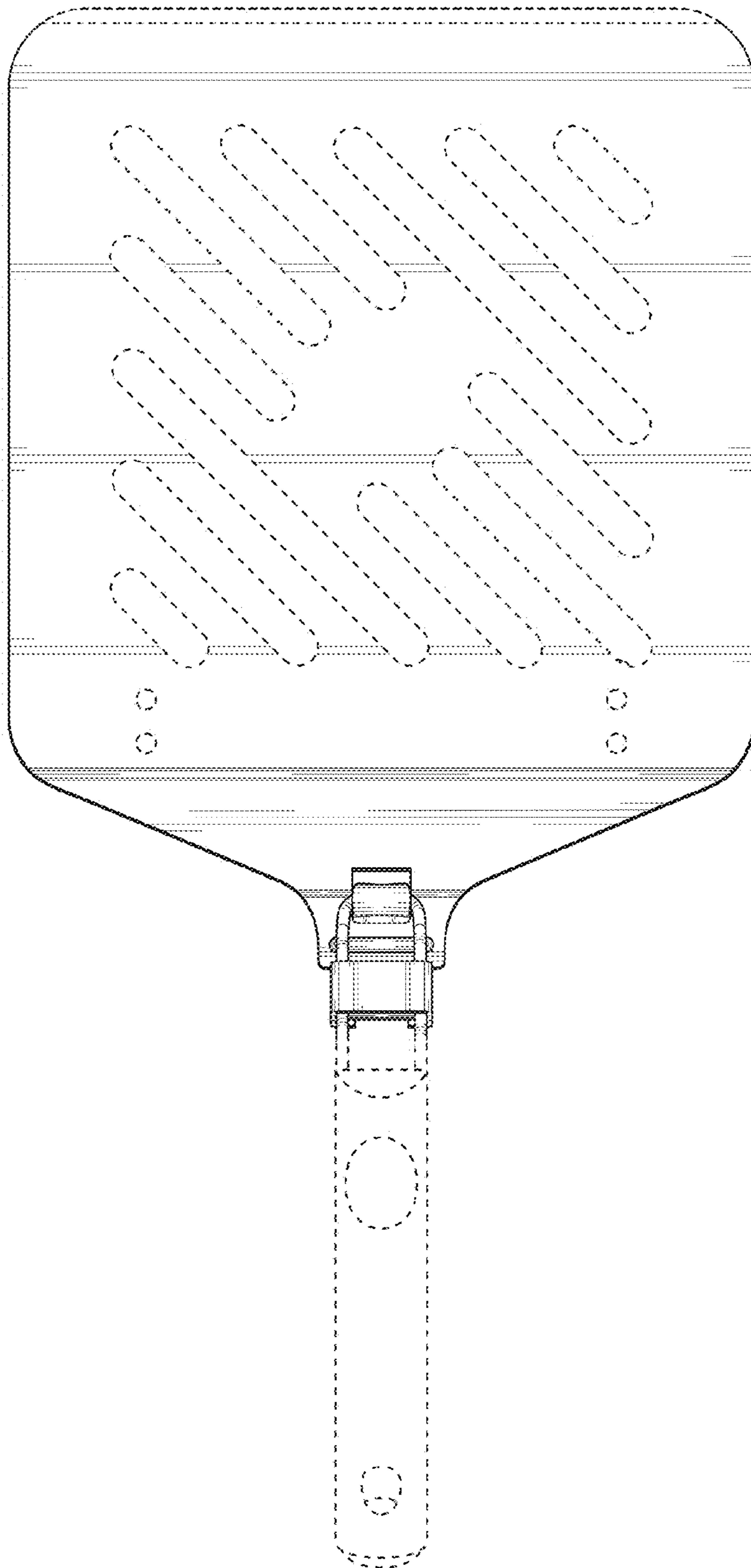


FIG. 5

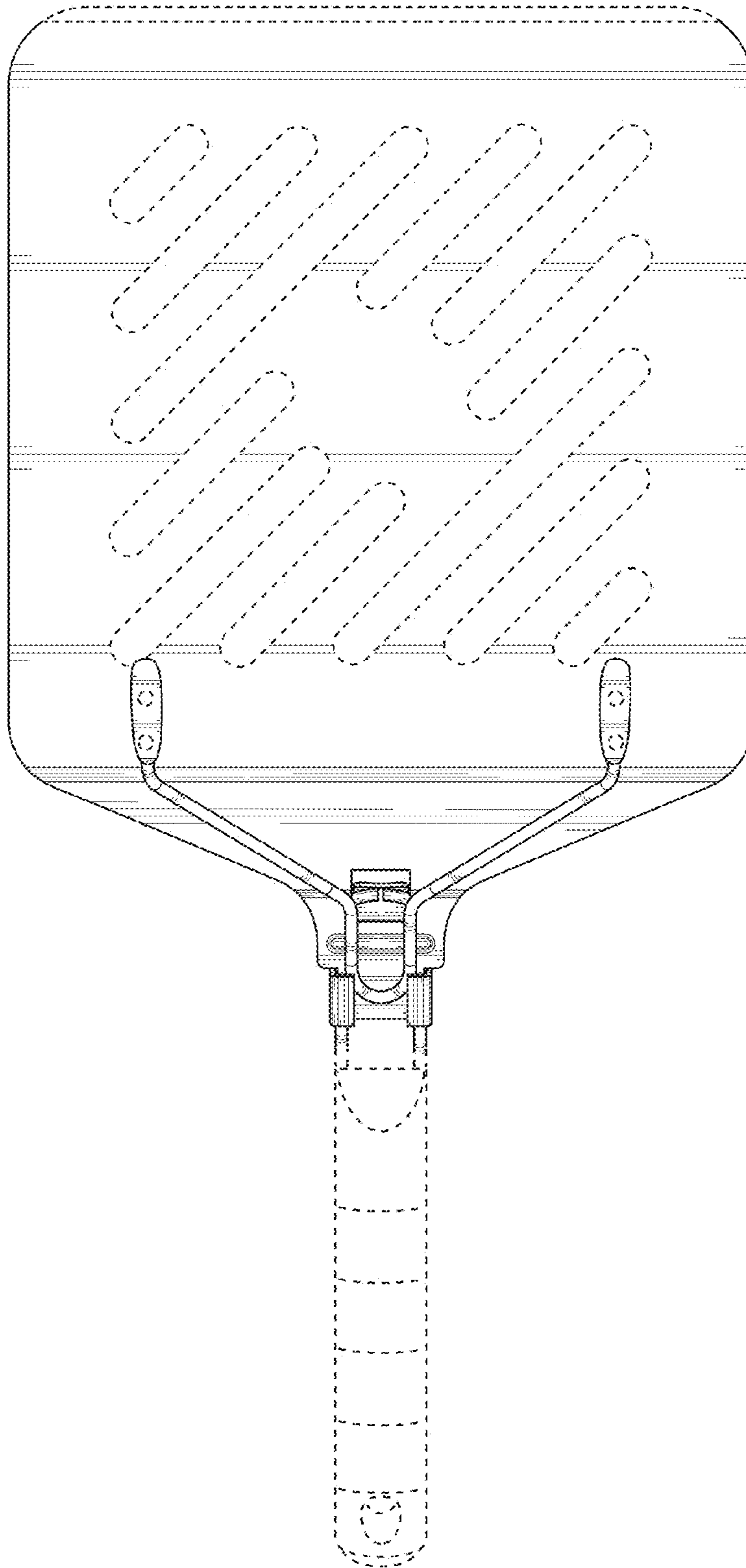


FIG. 6

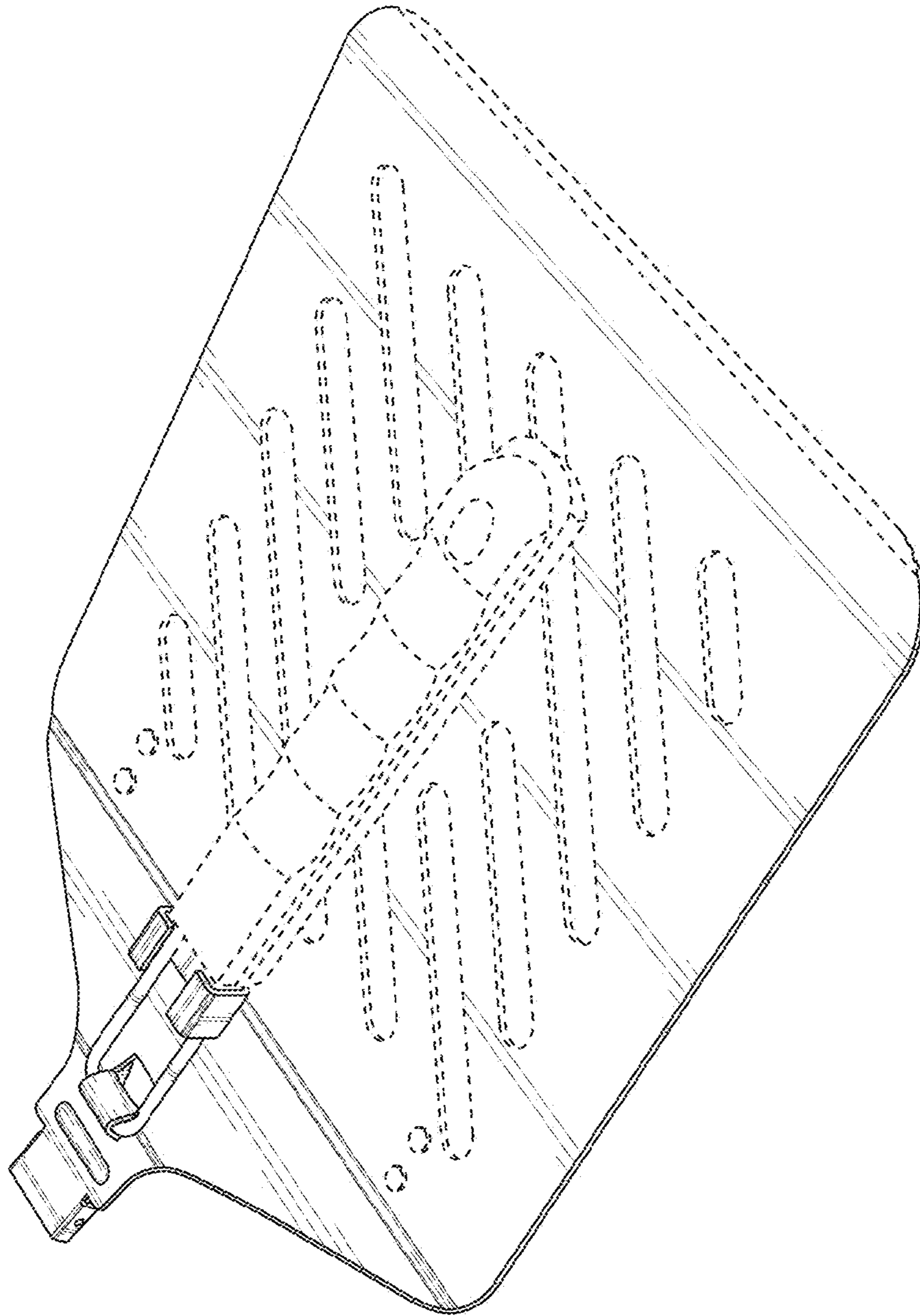


FIG. 7