



US00D715601S

(12) **United States Design Patent**
Elattrache

(10) **Patent No.:** **US D715,601 S**
(45) **Date of Patent:** **** Oct. 21, 2014**

- (54) **SILVERWARE STAND**
- (71) Applicant: **Michael Elattrache**, Van Nuys, CA (US)
- (72) Inventor: **Michael Elattrache**, Van Nuys, CA (US)
- (**) Term: **14 Years**
- (21) Appl. No.: **29/477,629**
- (22) Filed: **Dec. 24, 2013**
- (30) **Foreign Application Priority Data**
 - Jul. 4, 2013 (AU) 350281
- (51) **LOC (10) Cl.** **07-06**
- (52) **U.S. Cl.**
USPC **D7/637; D7/601**
- (58) **Field of Classification Search**
 - CPC A47G 21/14
 - USPC D7/637-641, 601; 248/37.3, 174, 175, 248/176.1; 206/553; 211/70.1, 70.6, 70.7, 211/60.1, 13.1, 85.4

See application file for complete search history.

4,893,768 A	1/1990	Hall	
4,905,947 A	3/1990	Henne et al.	
4,940,199 A *	7/1990	Hall	248/37.3
D334,265 S	3/1993	Giugiaro	
5,332,106 A	7/1994	Schlotte et al.	
5,411,141 A *	5/1995	Bounds	211/70.1
D360,560 S	7/1995	Stroecker	
D378,564 S	3/1997	Hall	
D423,303 S	4/2000	Morton et al.	
6,269,961 B1	8/2001	Porcelli	
6,273,278 B1 *	8/2001	Enyedy et al.	211/85.4
6,604,714 B1 *	8/2003	Hall	248/37.3
6,994,304 B2 *	2/2006	Kim et al.	248/174
D579,278 S	10/2008	Umnitz	
D675,065 S *	1/2013	Tarantino et al.	D7/637
8,668,171 B2 *	3/2014	Tarantino et al.	248/37.3
2013/0087664 A1 *	4/2013	Weavel	248/37.3

* cited by examiner

Primary Examiner — Terry Wallace

(74) *Attorney, Agent, or Firm* — QuickPatents; Kevin Prince

(57) **CLAIM**

I claim the ornamental design for a silverware stand, as shown and described.

DESCRIPTION

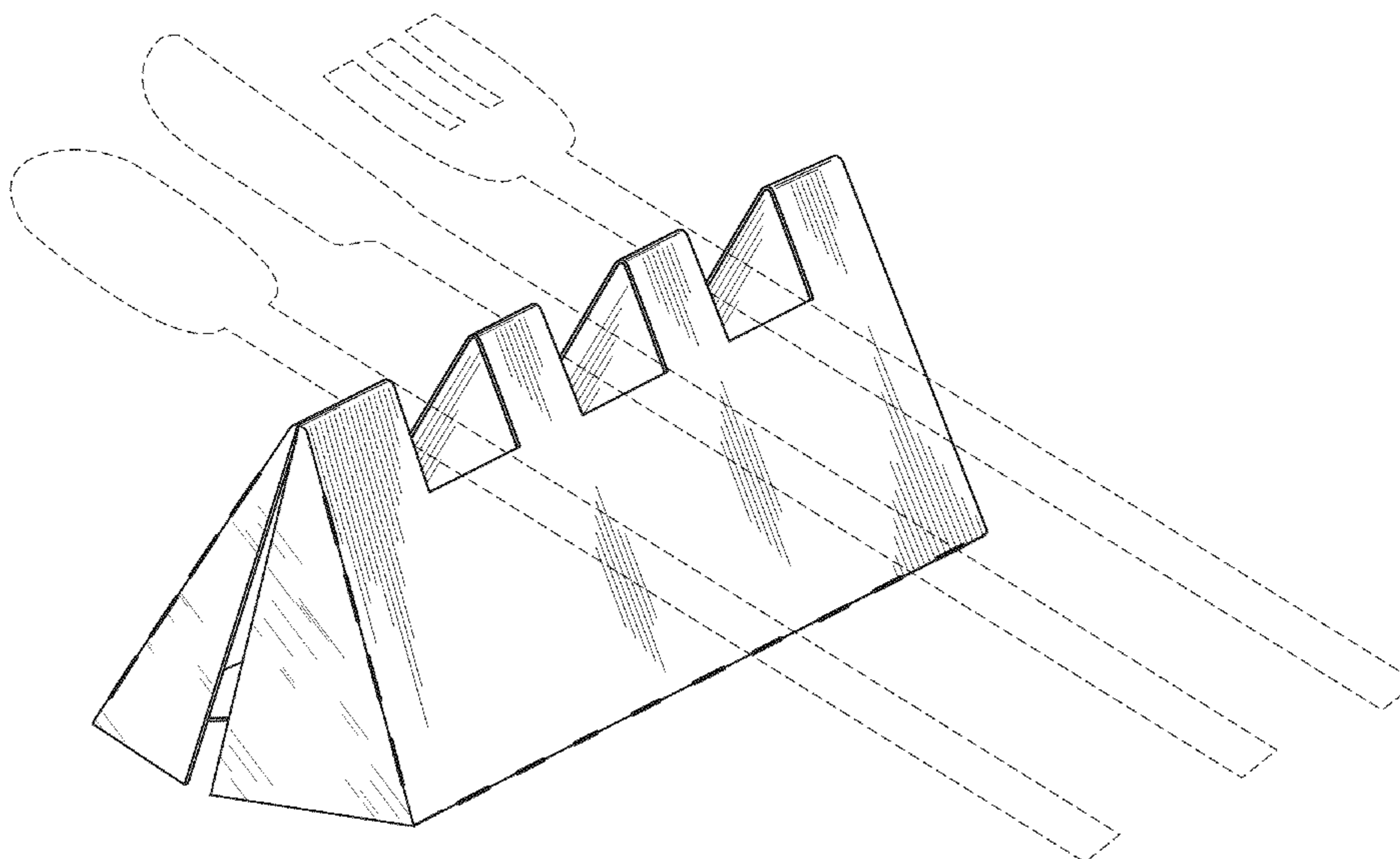
FIG. 1 is a perspective view of a silverware stand, showing my new design in an assembled configuration;
 FIG. 2 is a front elevational view of FIG. 1;
 FIG. 3 is a rear elevational view of FIG. 1;
 FIG. 4 is a right-side elevational view of FIG. 1, the left-side elevational view being a mirror image thereof;
 FIG. 5 is a top plan view of FIG. 1;
 FIG. 6 is a top plan view of FIG. 1; and,
 FIG. 7 is a top plan view thereof, illustrated in a flat configuration.

The broken lines showing utensils in FIG. 1 depict environmental matter and form no part of the claimed design.

1 Claim, 4 Drawing Sheets

(56) **References Cited**
U.S. PATENT DOCUMENTS

1,647,154 A	11/1927	Meyer	
2,299,829 A	10/1942	Feddersen et al.	
2,374,442 A	4/1945	Richard	
2,639,081 A	5/1953	Metzger	
2,651,927 A *	9/1953	Mullins	248/37.3
2,664,005 A	12/1953	Kosinski	
3,013,668 A	12/1961	Joseph	
3,263,820 A	8/1966	Mcfadden et al.	
D287,175 S	12/1986	Gecchelin	
D292,861 S	11/1987	Dorper	
4,770,379 A *	9/1988	Estvold	248/174
4,834,328 A *	5/1989	Hall	248/37.3
4,858,863 A *	8/1989	Lin	248/174



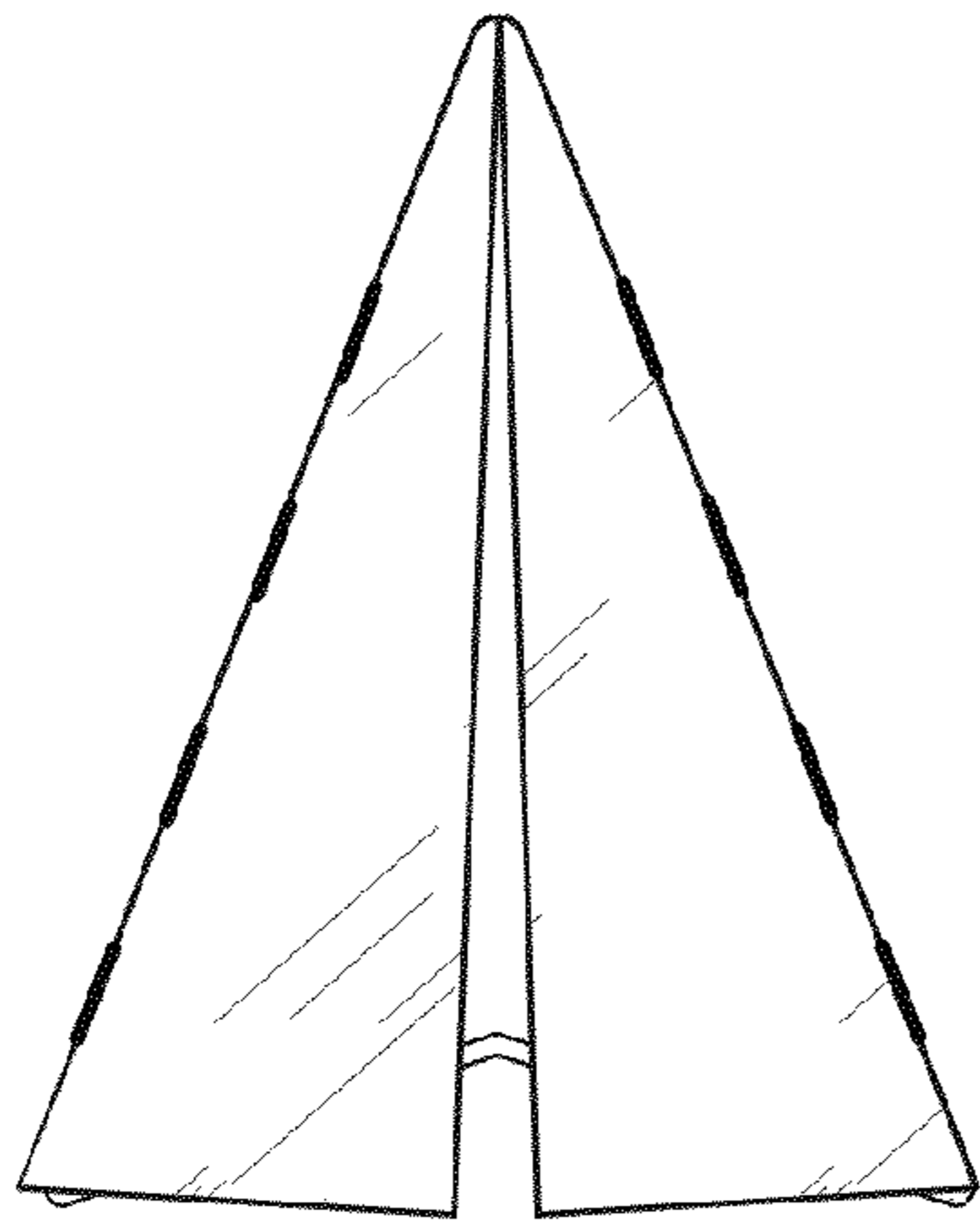


FIG. 4

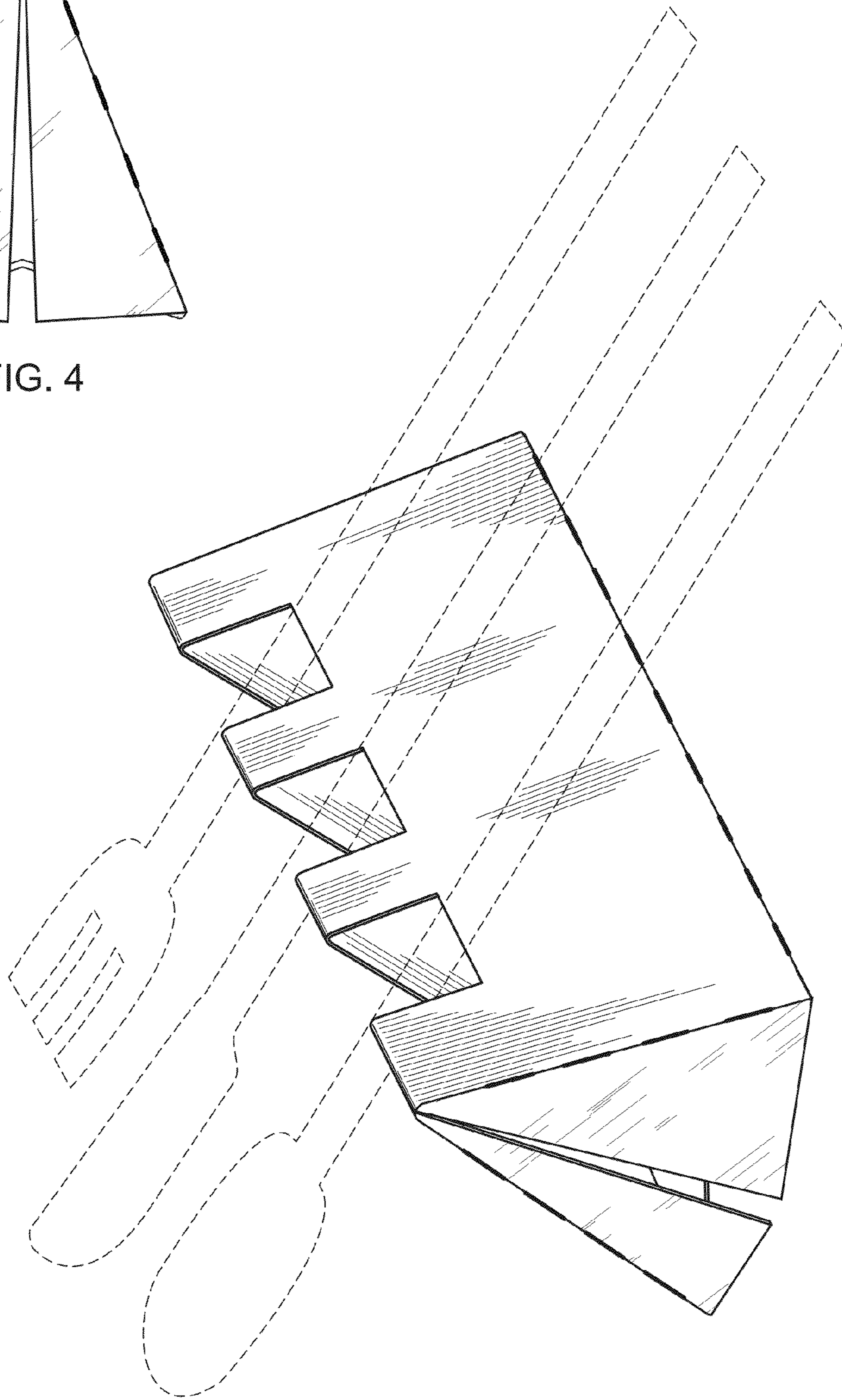


FIG. 1

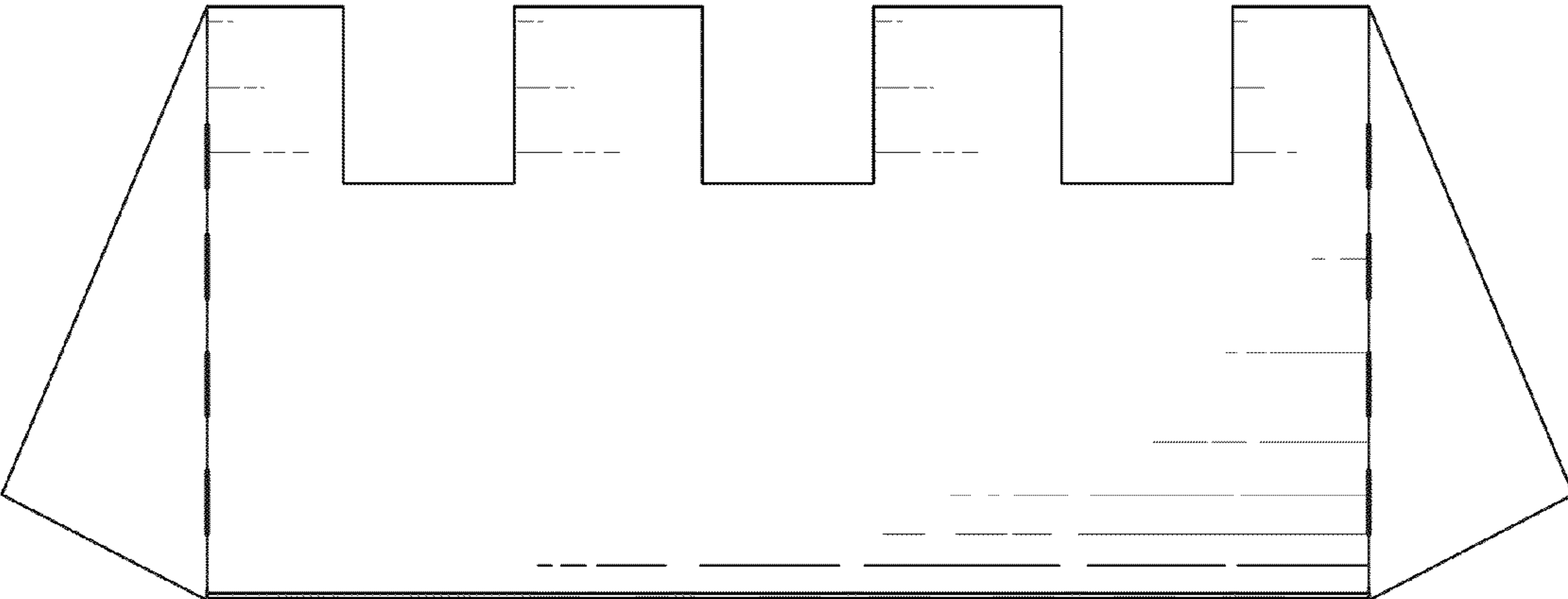


FIG. 2

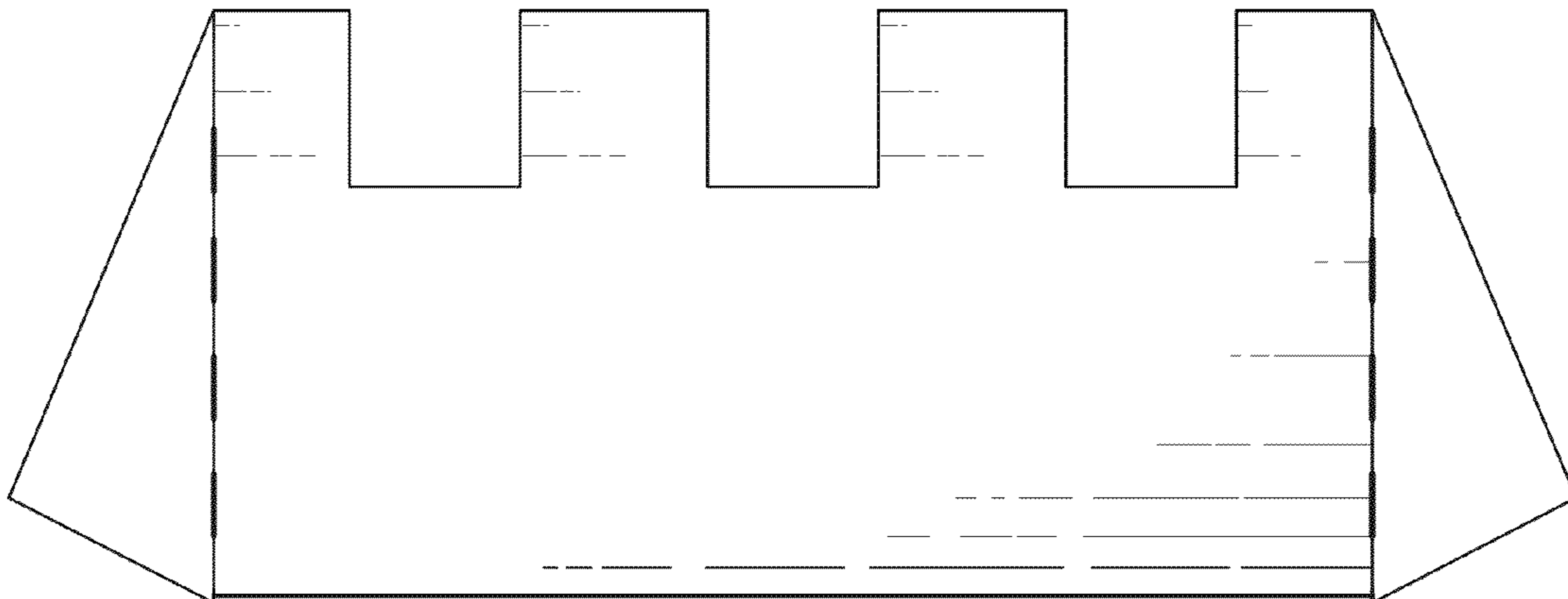


FIG. 3

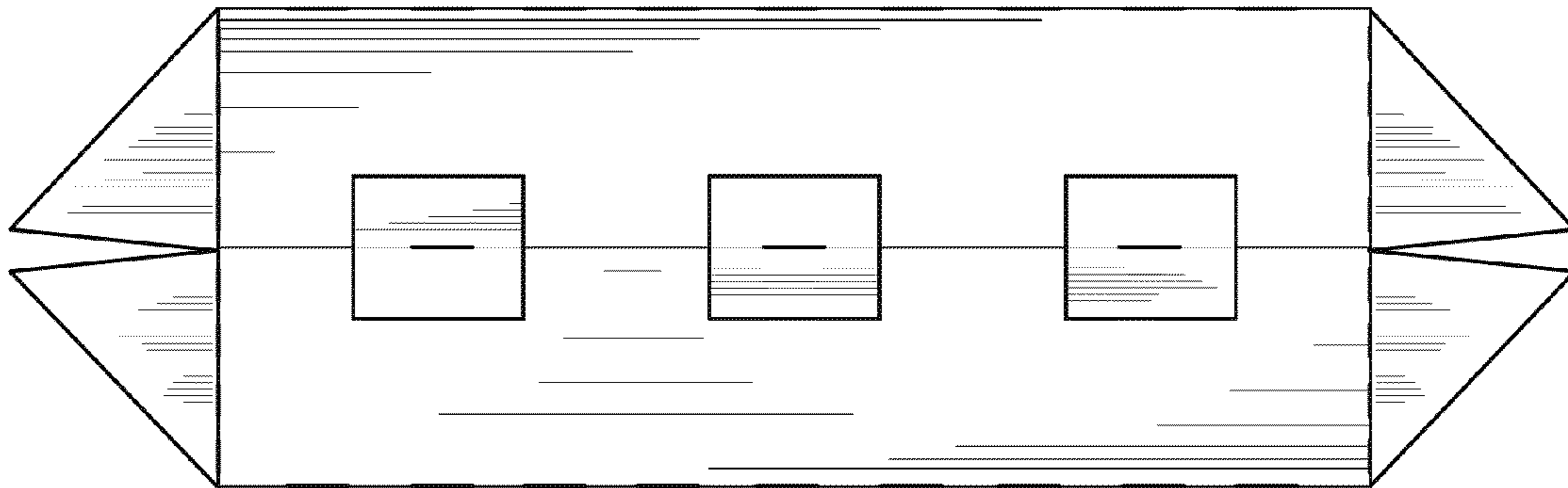


FIG. 5

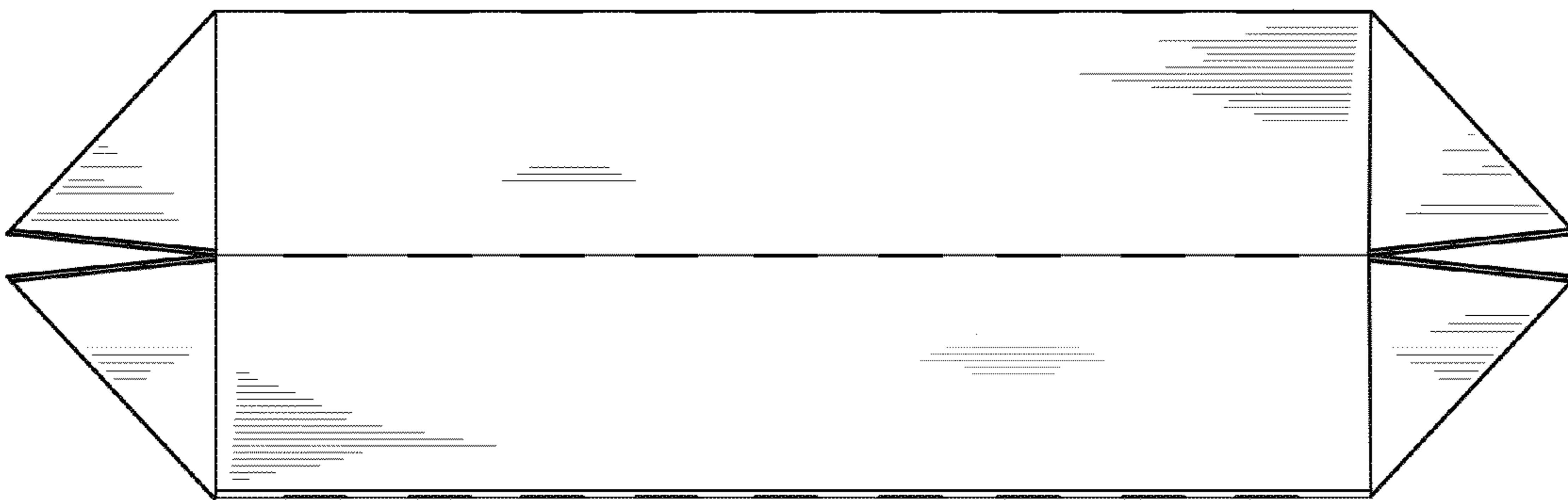


FIG. 6

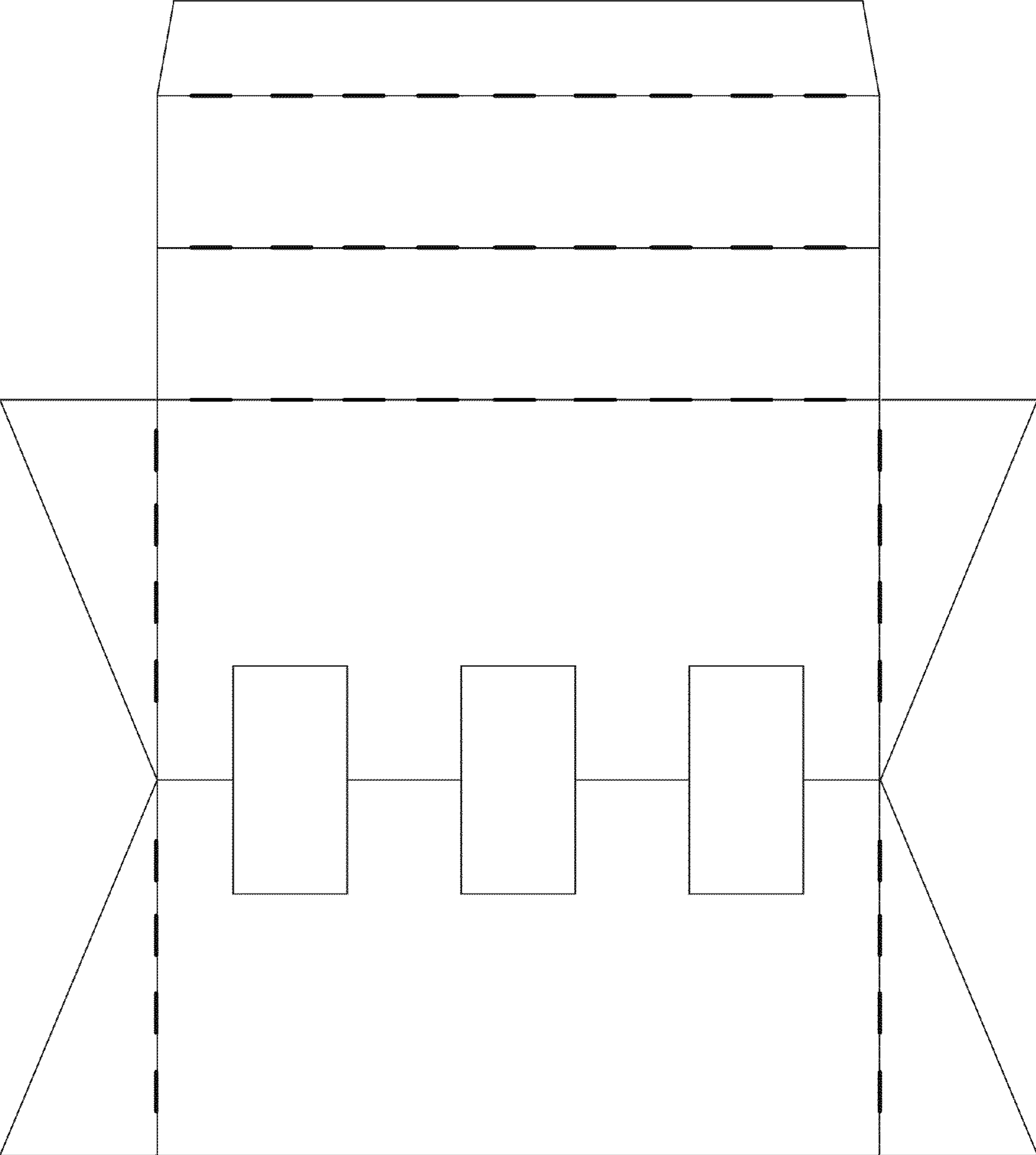


FIG. 7