



US00D715594S

(12) **United States Design Patent**  
**Norland et al.**

(10) **Patent No.:** **US D715,594 S**

(45) **Date of Patent:** **\*\* Oct. 21, 2014**

(54) **BOWL LINER**

(71) Applicant: **Whirlpool Corporation**, Benton Harbor, MI (US)

(72) Inventors: **Leif A. Norland**, Saint Joseph, MI (US);  
**Kaitlyn M. Benoit**, Saint Joseph, MI (US)

(73) Assignee: **Whirlpool Corporation**, Benton Harbor, MI (US)

(\*\*) Term: **14 Years**

(21) Appl. No.: **29/447,349**

(22) Filed: **Mar. 1, 2013**

(51) **LOC (10) Cl.** ..... **07-01**

(52) **U.S. Cl.**  
USPC ..... **D7/545**

(58) **Field of Classification Search**  
USPC ..... D7/545, 543, 500, 360, 361, 552.1, 586  
See application file for complete search history.

(56) **References Cited**

U.S. PATENT DOCUMENTS

D330,785 S	*	11/1992	Jordan	.....	D30/129
D356,251 S	*	3/1995	Davis	.....	D9/705
D432,860 S	*	10/2000	Hamilton	.....	D7/396.1
D472,620 S	*	4/2003	Phillips	.....	D23/309

D480,604 S	*	10/2003	Lillelund et al.	.....	D7/543
D521,319 S	*	5/2006	Haataja	.....	D7/543
D564,138 S	*	3/2008	Dunn et al.	.....	D30/129
7,441,514 B2	*	10/2008	Dana et al.	.....	119/61.5
D593,807 S	*	6/2009	Kong	.....	D7/586
D616,251 S	*	5/2010	Heiberg et al.	.....	D7/566
D639,115 S	*	6/2011	Stewart et al.	.....	D7/543
D656,792 S	*	4/2012	Sink et al.	.....	D7/586
D679,548 S	*	4/2013	Chen	.....	D7/545
D682,619 S	*	5/2013	Lee et al.	.....	D7/543

\* cited by examiner

*Primary Examiner* — Cynthia Underwood

(57) **CLAIM**

We claim the ornamental design for a bowl liner, as shown.

**DESCRIPTION**

FIG. 1 is a top perspective view of one embodiment of a bowl liner;

FIG. 2 is a first side elevational view of the bowl liner of FIG. 1;

FIG. 3 is a second side elevational view of the bowl liner of FIG. 1;

FIG. 4 is a third side elevational view of the bowl liner of FIG. 1;

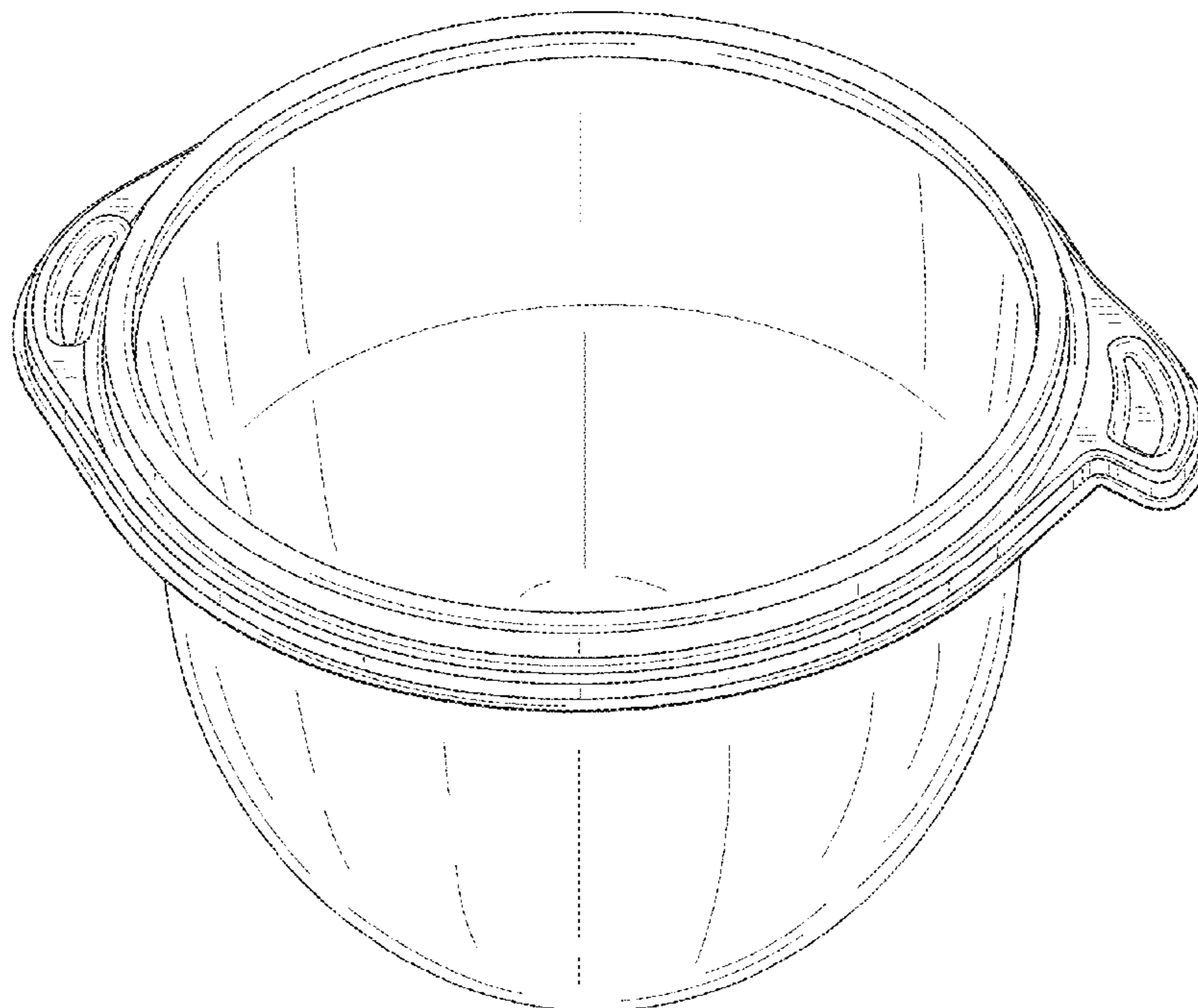
FIG. 5 is a fourth side elevational view of the bowl liner of FIG. 1;

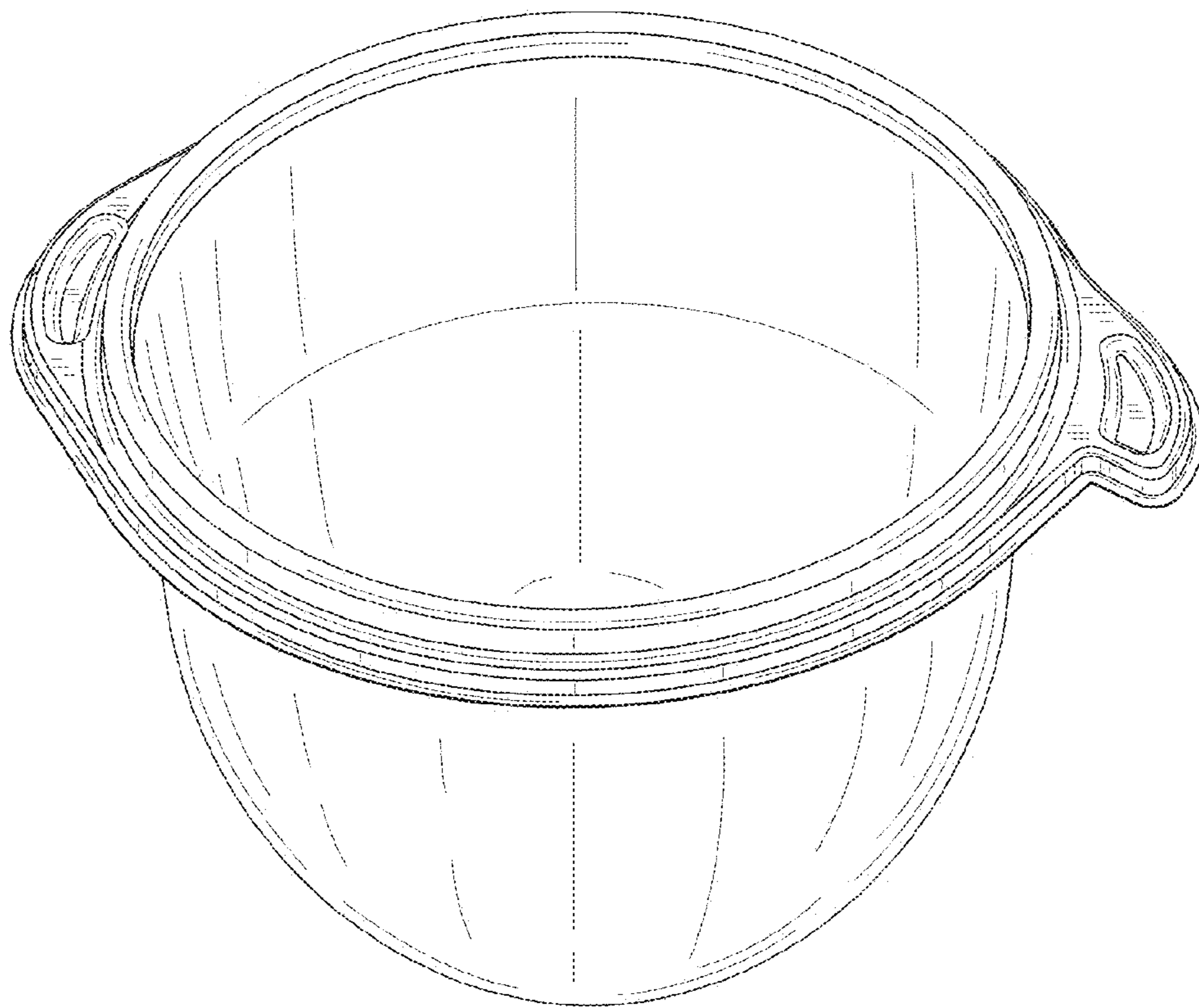
FIG. 6 is a top plan view of the bowl liner of FIG. 1; and,

FIG. 7 is a bottom plan view of the bowl liner of FIG. 1.

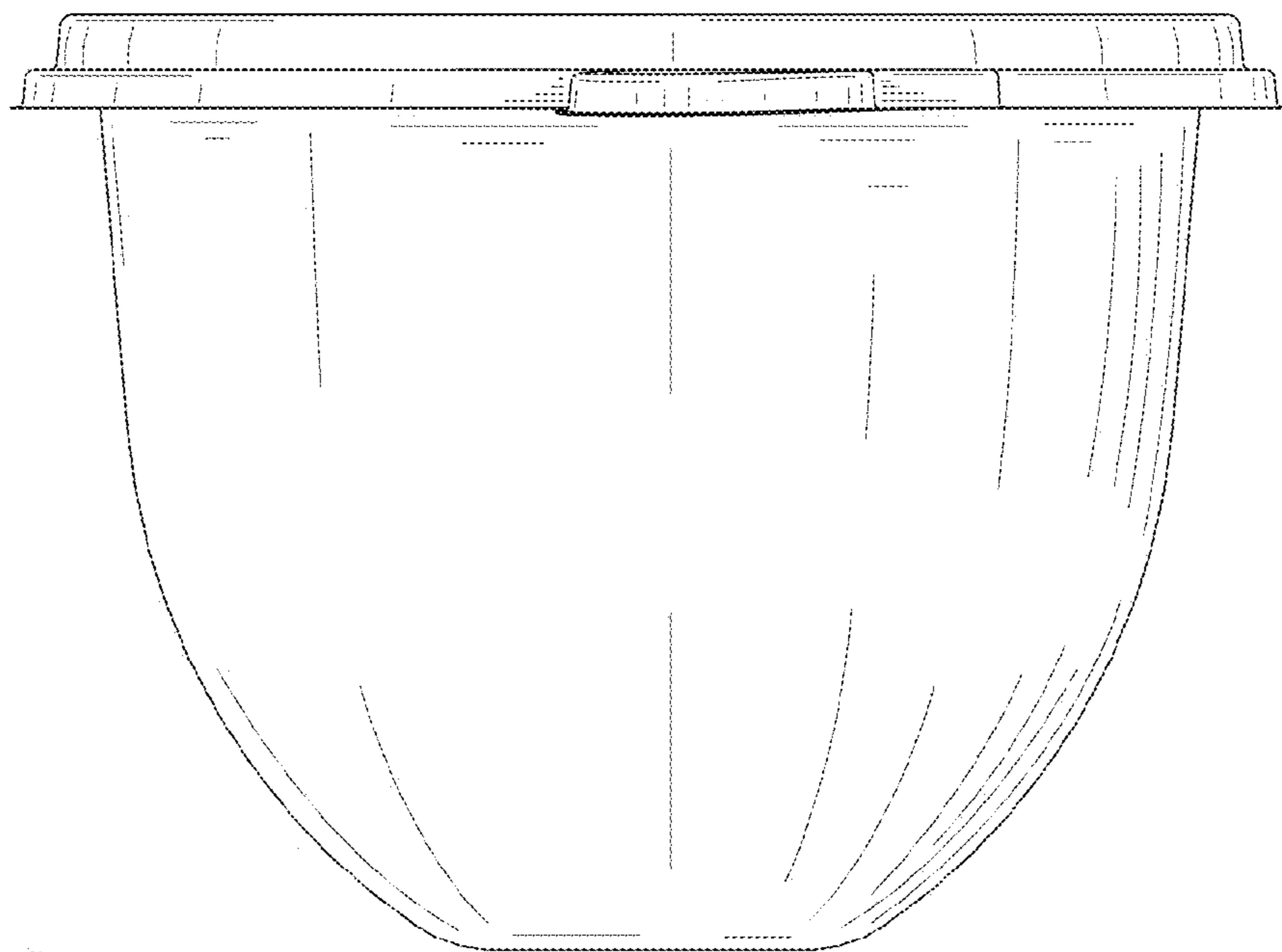
The broken lines shown in the drawings are for illustrative purposes only and form no part of the claimed design.

**1 Claim, 5 Drawing Sheets**

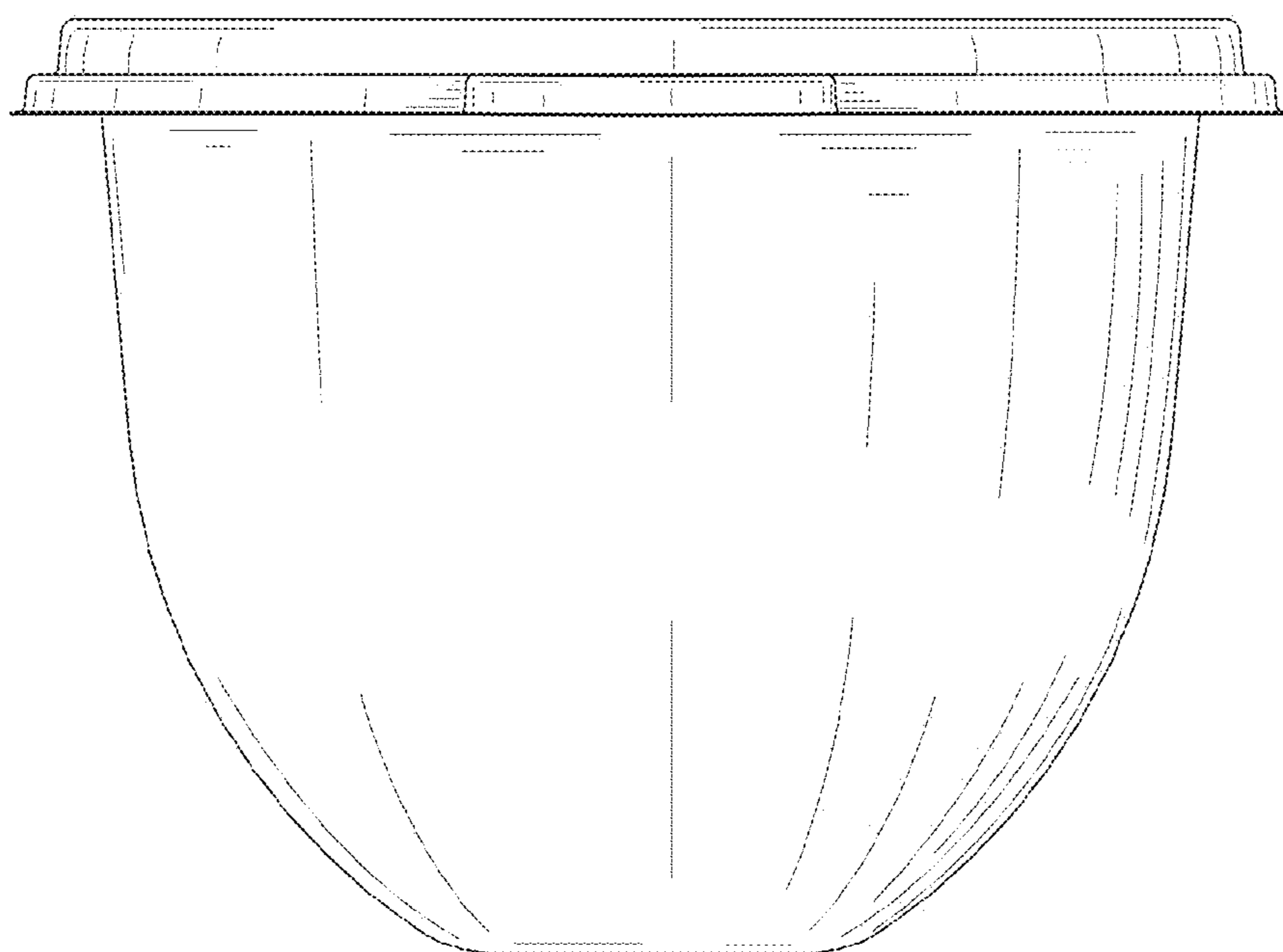




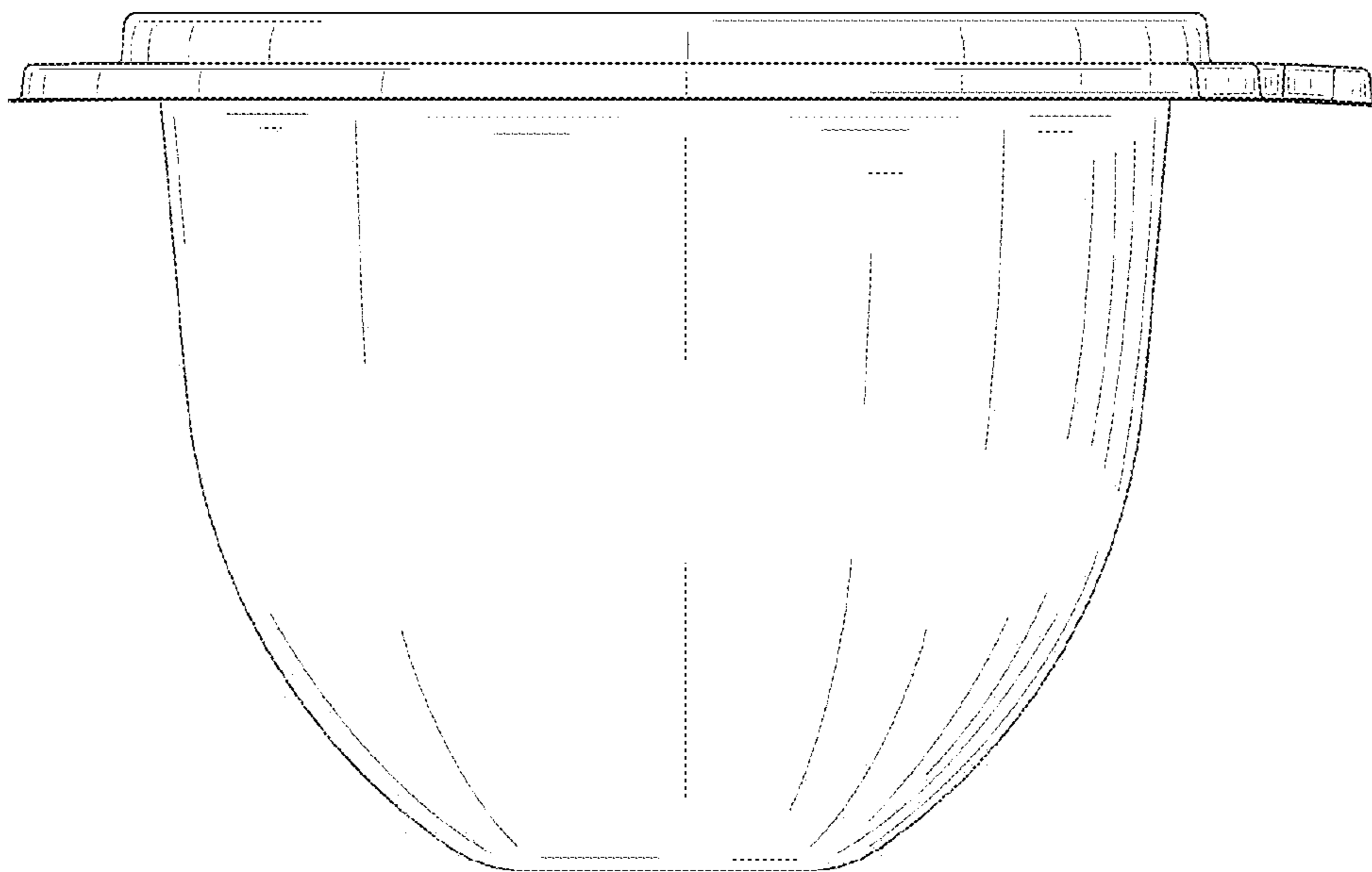
**FIG. 1**



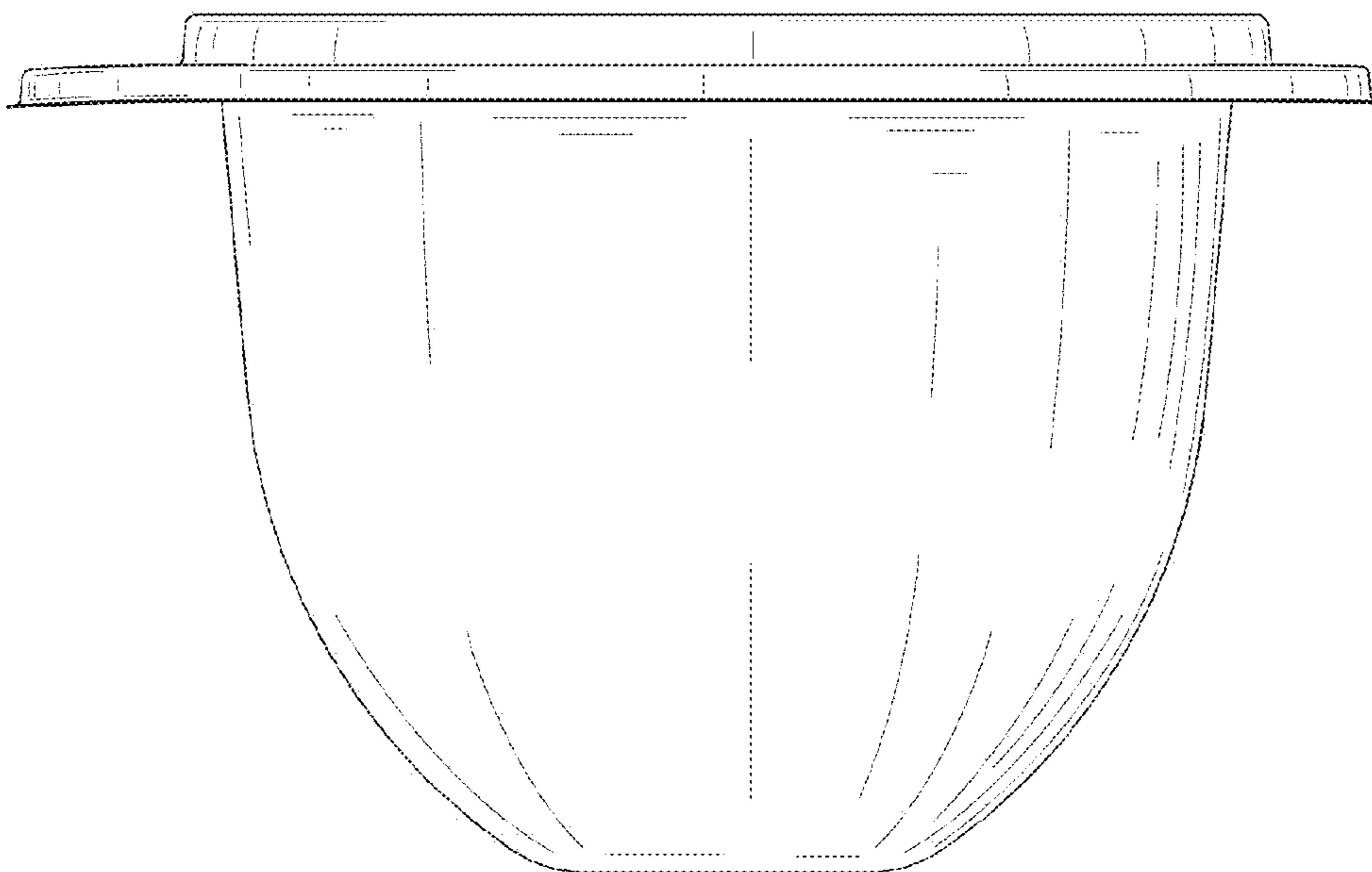
**FIG. 2**



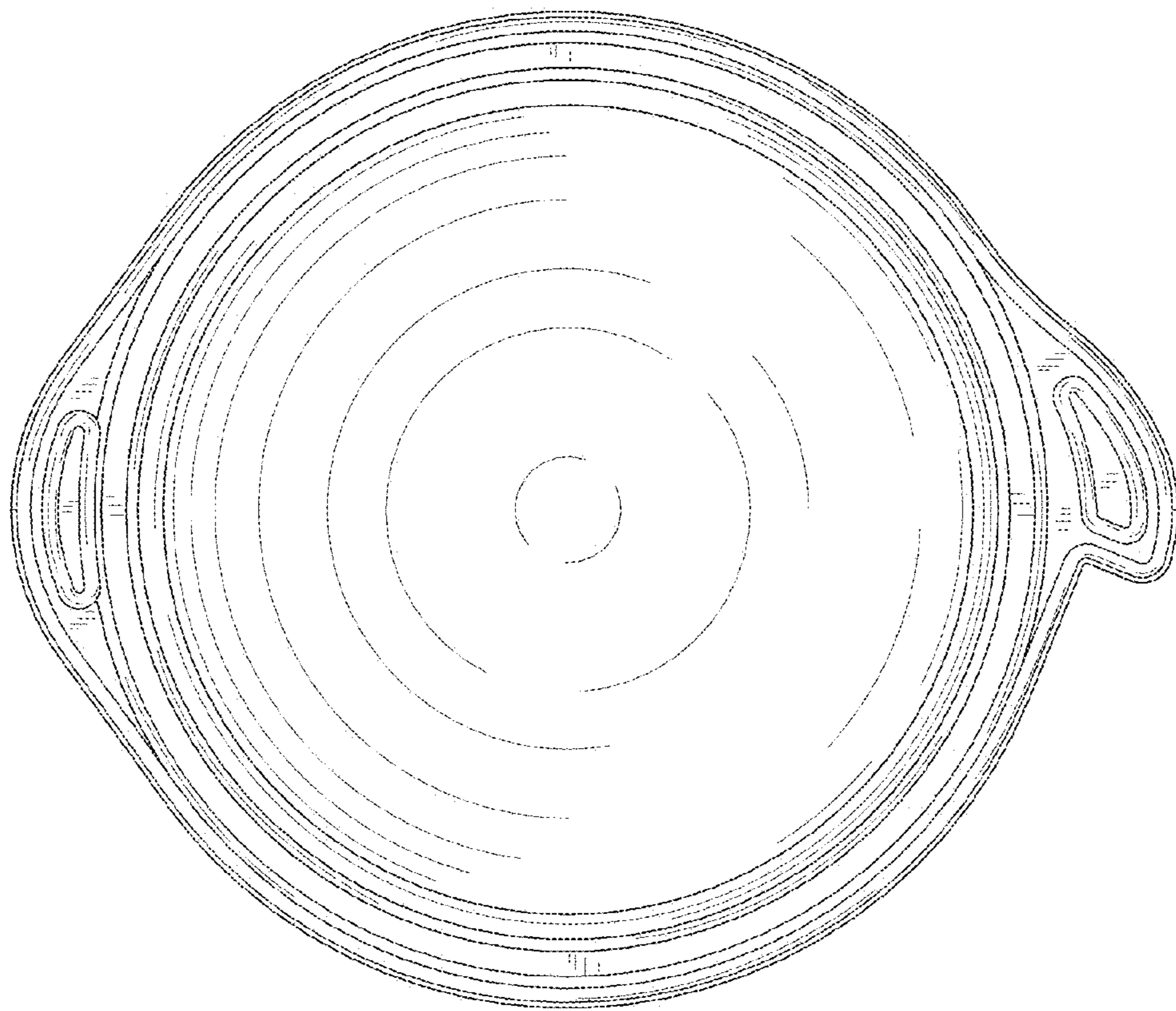
**FIG. 3**



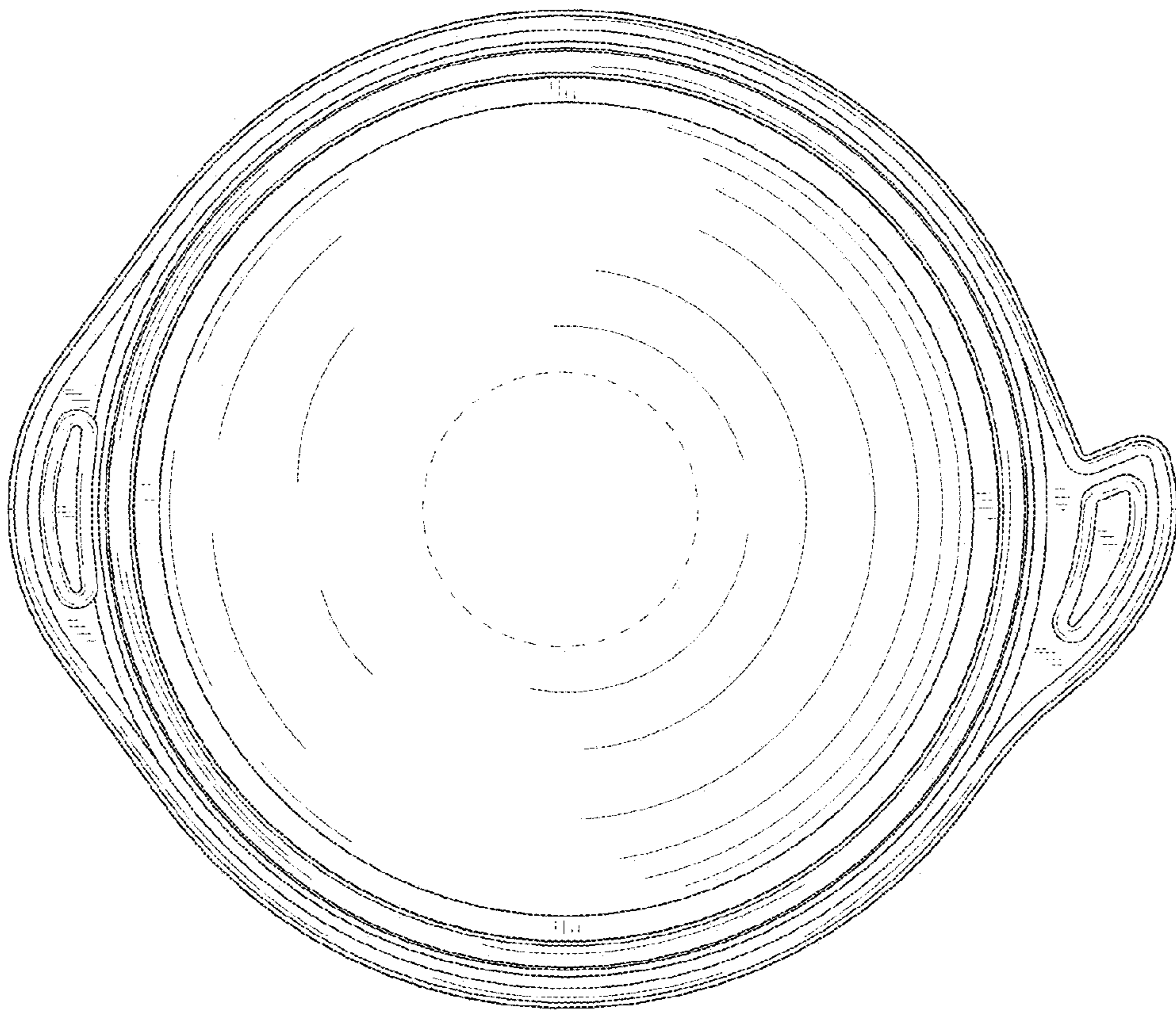
**FIG. 4**



**FIG. 5**



**FIG. 6**



**FIG. 7**