



US00D715590S

(12) **United States Design Patent**  
**Mangano**

(10) **Patent No.:** **US D715,590 S**

(45) **Date of Patent:** **\*\* Oct. 21, 2014**

(54) **INTERCHANGEABLE COVER FOR A TUB  
TWIST TOWER SET**

(75) Inventor: **Joy Mangano**, St. James, NY (US)

(73) Assignee: **Ingenious Designs, LLC**, Ronkonkoma,  
NY (US)

(\*\*) Term: **14 Years**

(21) Appl. No.: **29/429,391**

(22) Filed: **Aug. 10, 2012**

(51) **LOC (10) CL.** ..... **07-02**

(52) **U.S. CL.**  
USPC ..... **D7/391; D7/354**

(58) **Field of Classification Search**  
USPC ..... D7/323, 354–363, 391–396, 409, 510,  
D7/538, 542, 612, 629; D9/504–505;  
99/324, 331, 339–340, 403, 425–426,  
99/444–445; 126/373.1, 383.1–384.1,  
126/390.1; 206/0.82; 219/438–439,  
219/620–622; 220/210, 573.1–573.5,  
220/752–753, 755–759, 912; 222/465.1,  
222/470, 475.1

See application file for complete search history.

(56) **References Cited**

**U.S. PATENT DOCUMENTS**

D157,363 S *	2/1950	Frankel	.....	D7/391
2,913,140 A *	11/1959	Vuilleminot	.....	220/210
3,346,109 A *	10/1967	Duran	.....	206/0.82
D276,684 S *	12/1984	Sublett	.....	D7/612
D333,065 S *	2/1993	Murphy	.....	D7/391
D470,008 S *	2/2003	Trombly	.....	D7/392.1
D479,802 S *	9/2003	Arduini	.....	D9/505
D543,411 S *	5/2007	Rittberg	.....	D7/354
D568,094 S *	5/2008	Cohen et al.	.....	D7/361

D612,240 S *	3/2010	Cresswell et al.	.....	D9/504
D643,694 S *	8/2011	Lu	.....	D7/629
D651,853 S *	1/2012	Eyal	.....	D7/510
D684,813 S *	6/2013	Eyal	.....	D7/392

\* cited by examiner

*Primary Examiner* — Ricky Pham

(74) *Attorney, Agent, or Firm* — Kenyon & Kenyon, LLP

(57) **CLAIM**

The ornamental design for an interchangeable cover for a tub twist tower set, as shown and described.

**DESCRIPTION**

FIG. 1 is a perspective view showing a plurality of interchangeable covers being used with a plurality of towers of a tub twist tower set, each cover being the same;

FIG. 2 is a front view of the cover shown on the two tub tower of FIG. 1;

FIG. 3 is a front view of the cover shown on the taller one tub tower of FIG. 1;

FIG. 4 is a front view of the cover shown on the three tub tower of FIG. 1;

FIG. 5 is a front view of the cover shown on the shorter one tub tower of FIG. 1;

FIG. 6 is a left side view of one of the covers of FIG. 1;

FIG. 7 is a right side view of one of the covers of FIG. 1;

FIG. 8 is a rear view of one of the covers of FIG. 1;

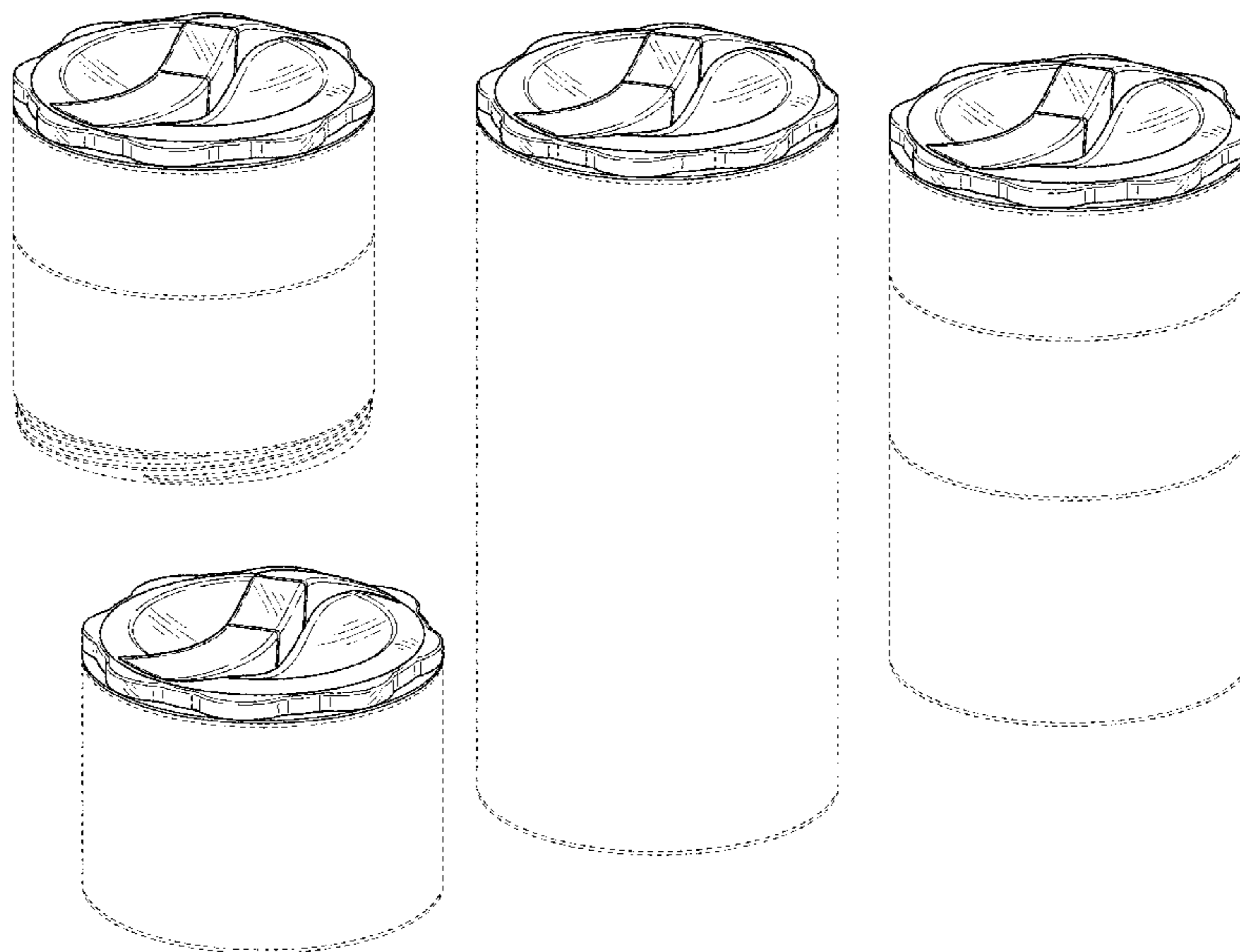
FIG. 9 is a front view of one of the covers of FIG. 1;

FIG. 10 is a top view of one of the covers of FIG. 1; and,

FIG. 11 is a bottom view of one of the covers of FIG. 1.

The broken lines shown are for illustrative purposes only and form no part of the claimed design.

**1 Claim, 7 Drawing Sheets**



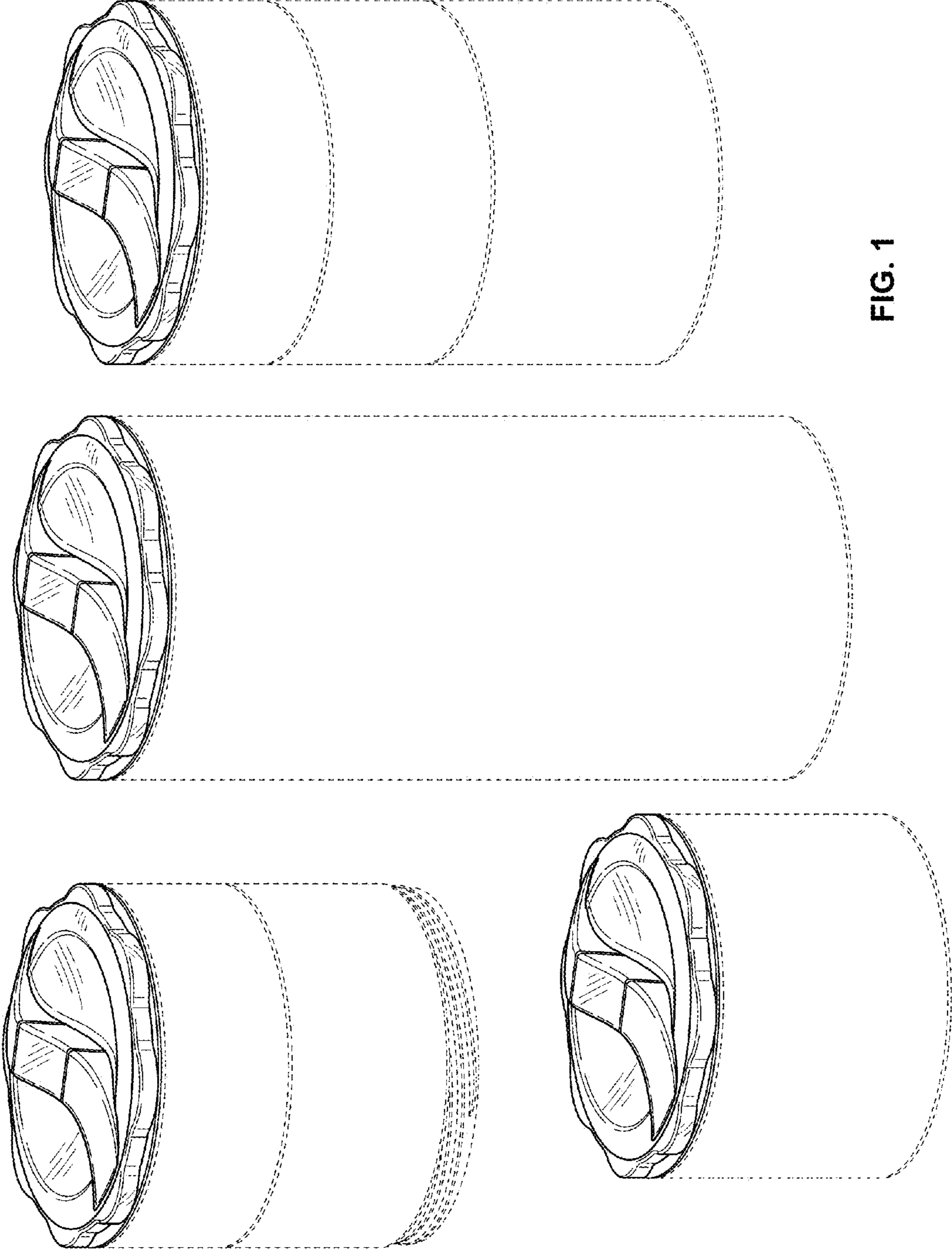


FIG. 1



FIG. 2

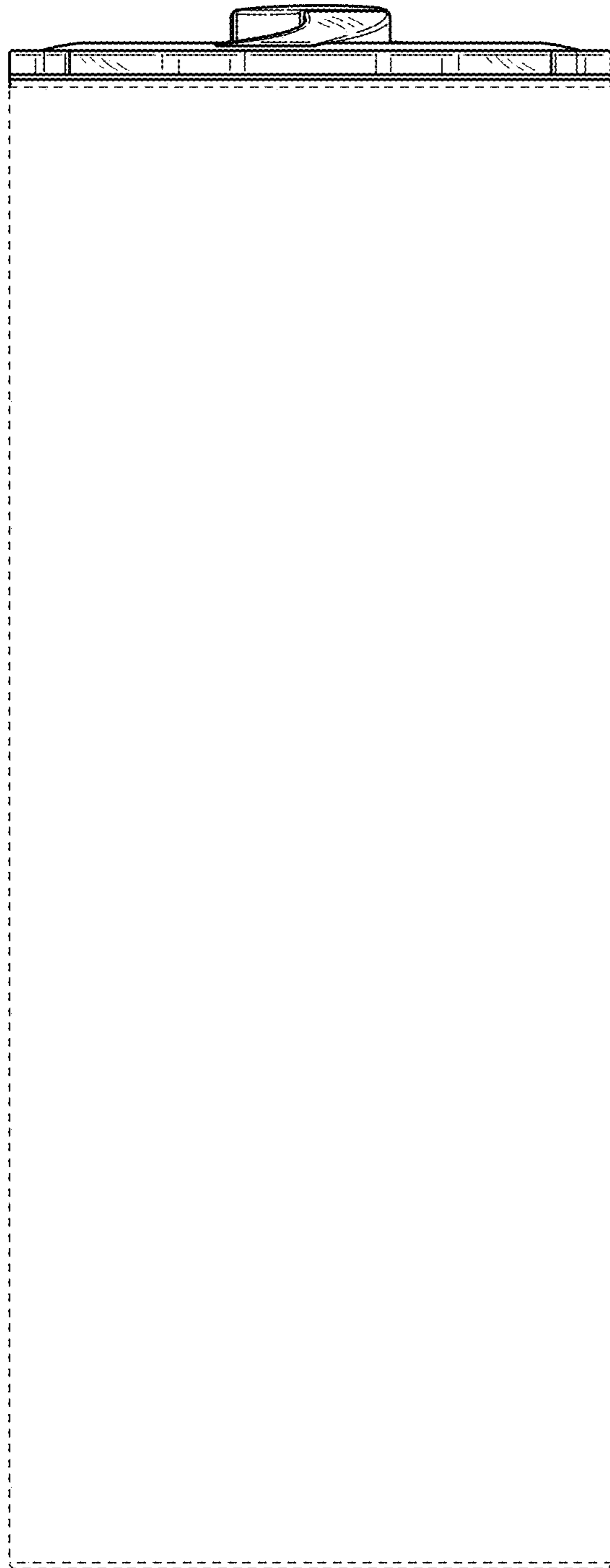


FIG. 3

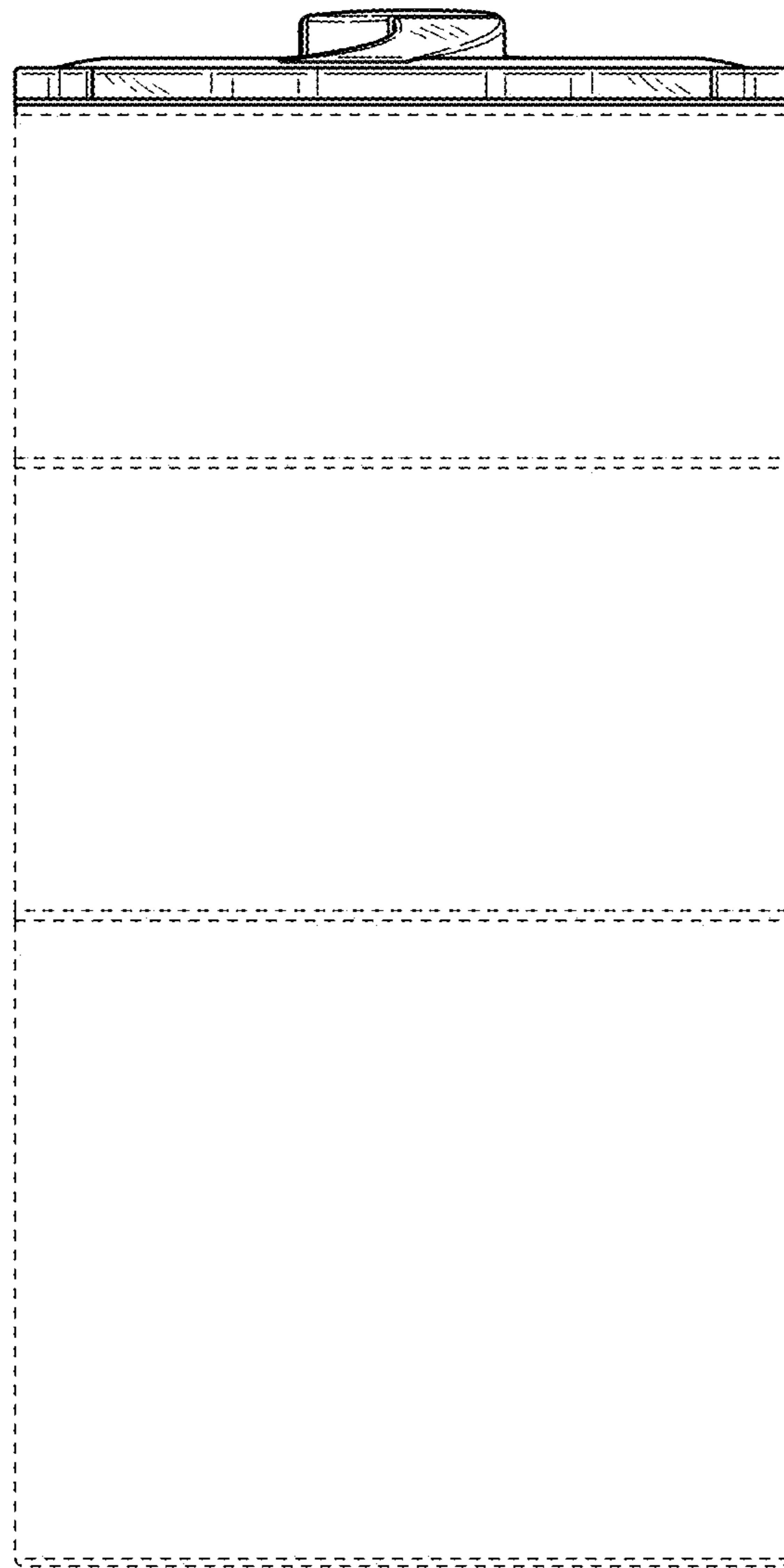


FIG. 4

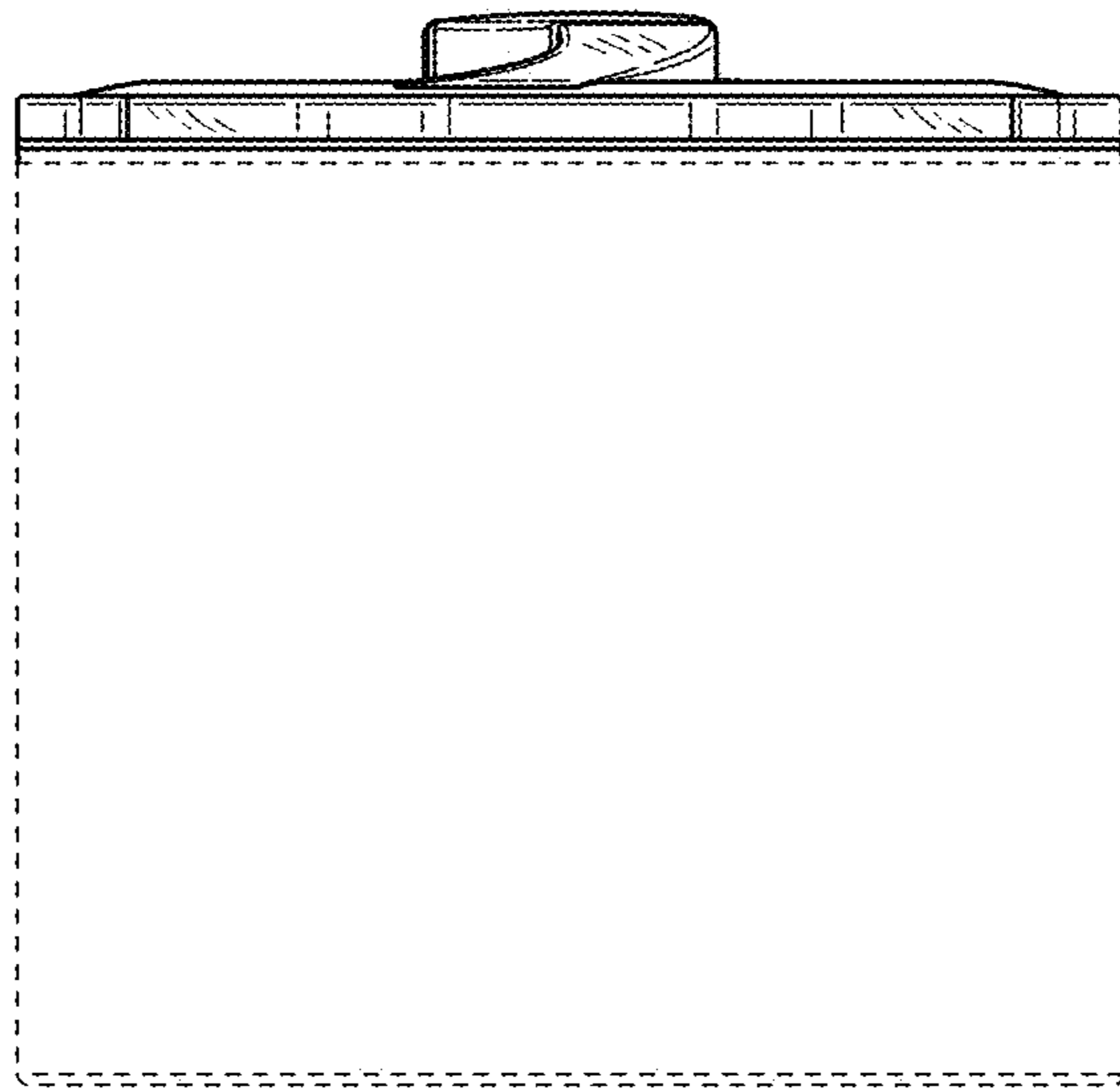


FIG. 5

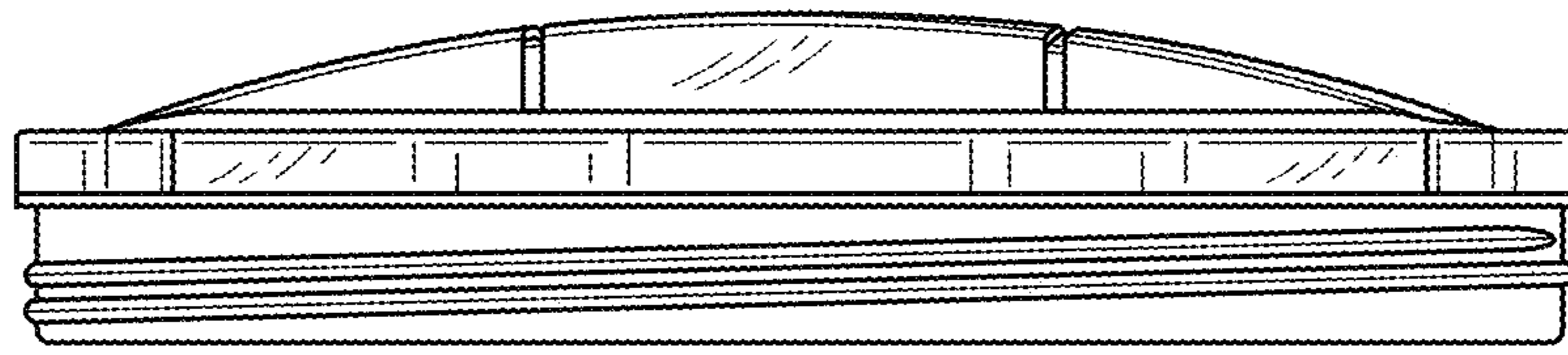


FIG. 6

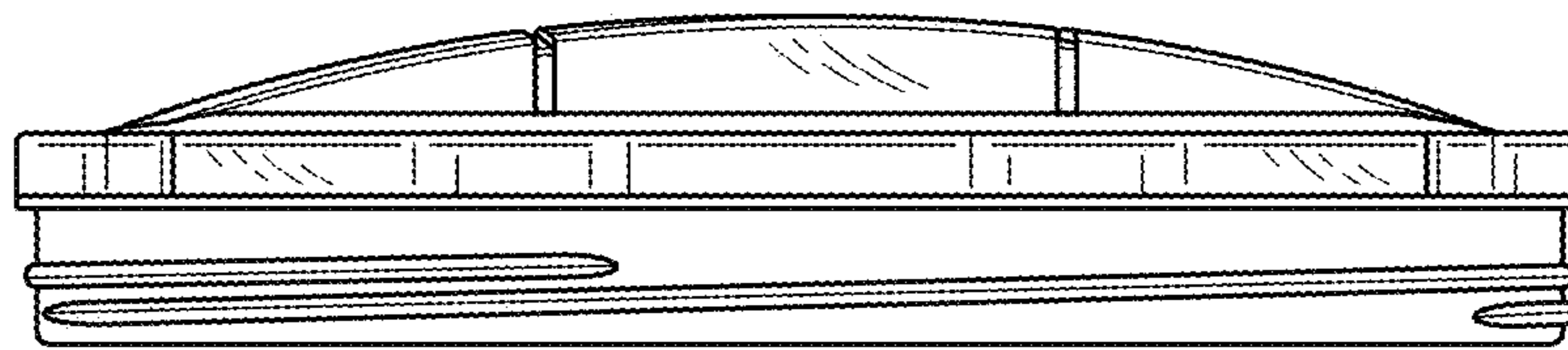


FIG. 7

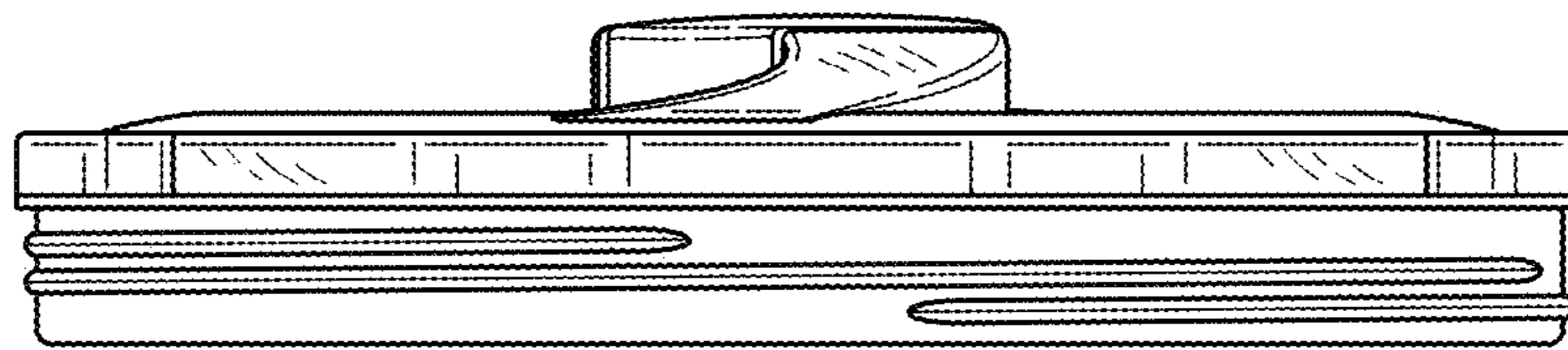


FIG. 8

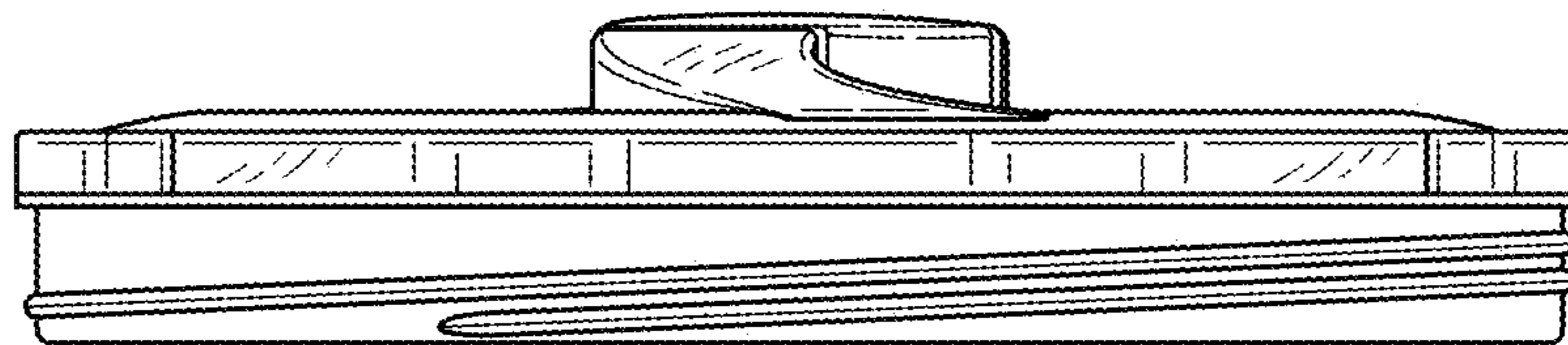


FIG. 9

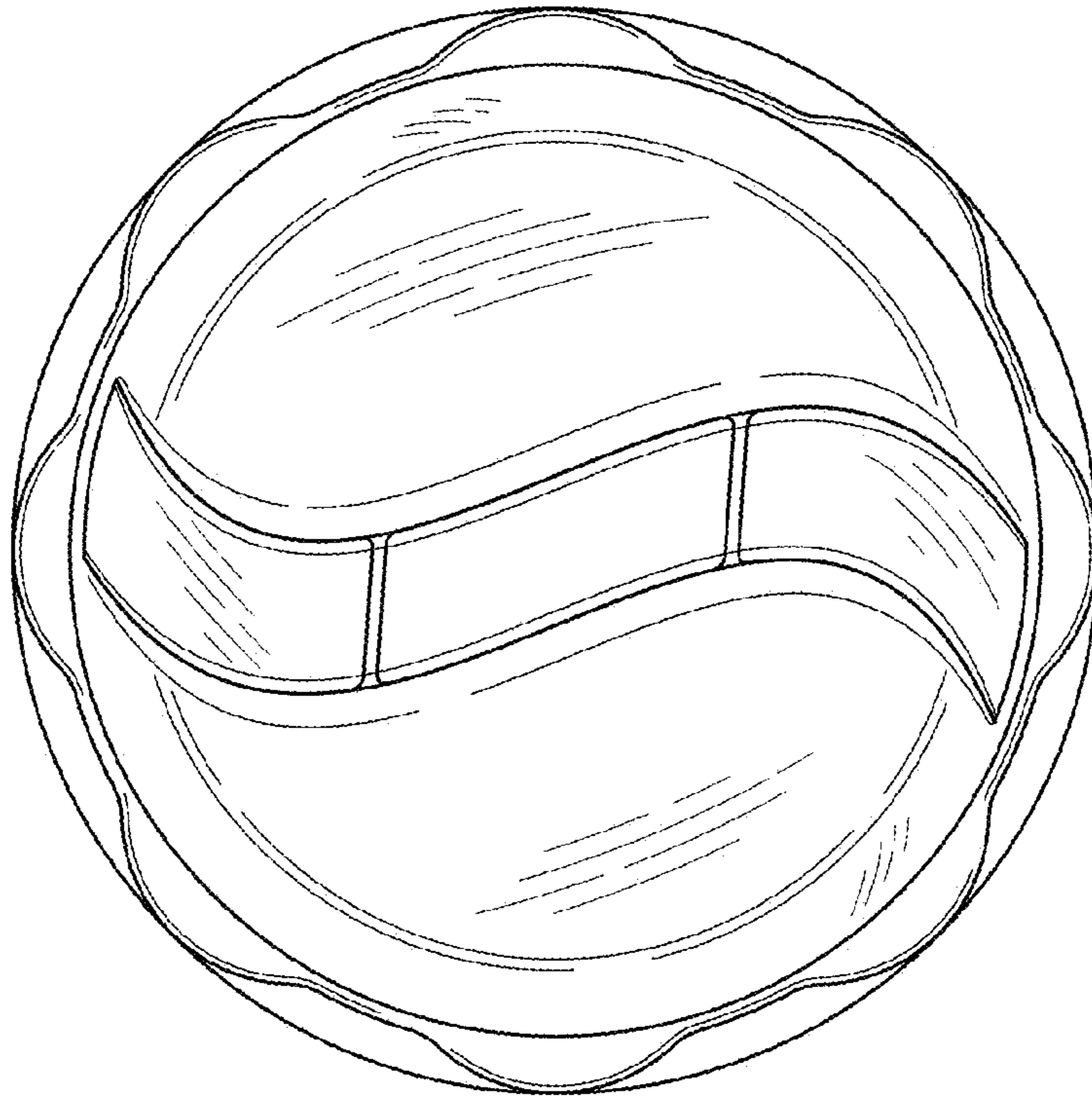


FIG. 10

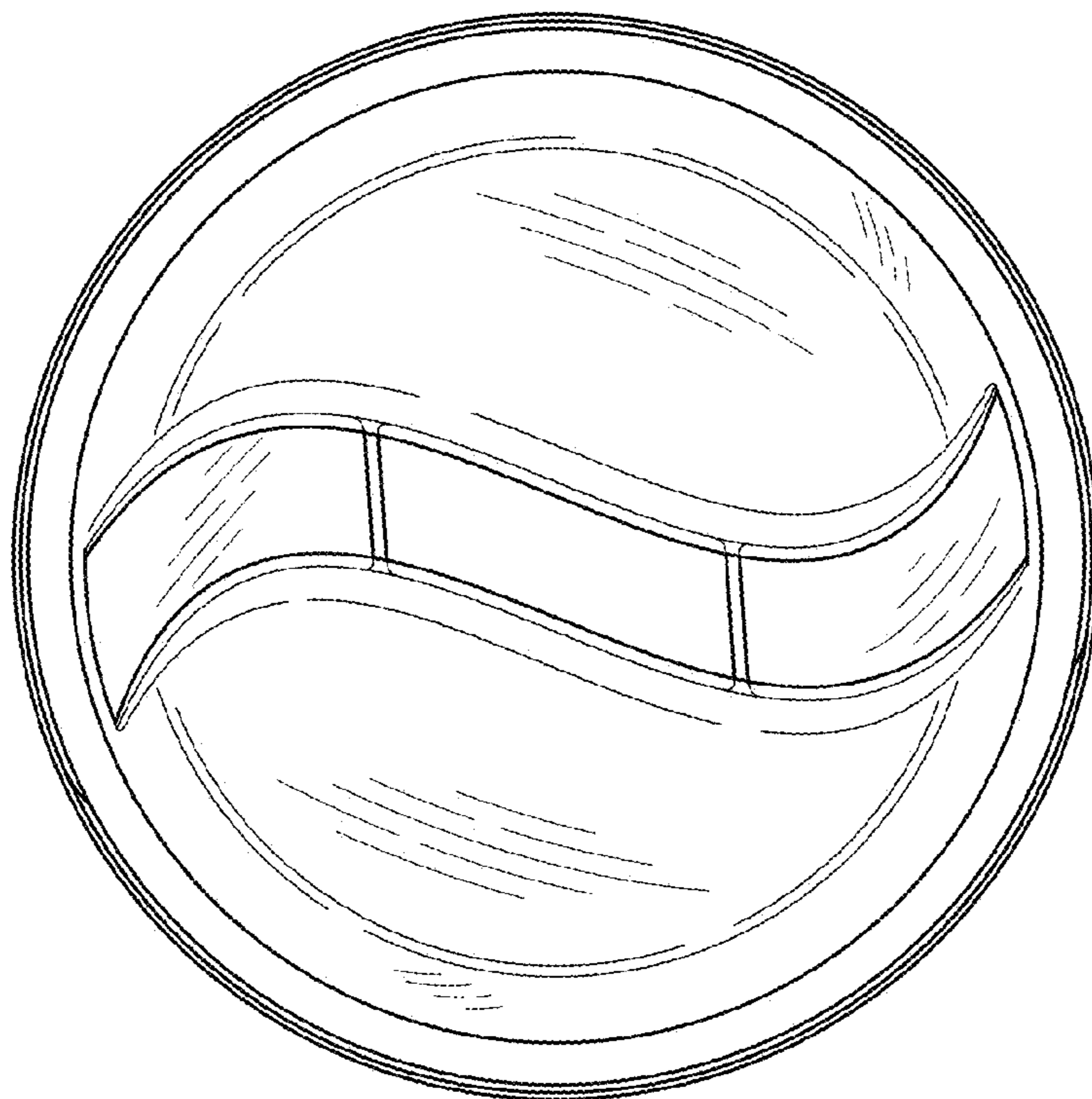


FIG. 11