



US00D715583S

(12) **United States Design Patent**
Trinh

(10) **Patent No.:** **US D715,583 S**
(45) **Date of Patent:** **** Oct. 21, 2014**

(54) **MANICURE TABLE**

(71) Applicant: **Nguyen Trinh**, Houston, TX (US)

(72) Inventor: **Nguyen Trinh**, Houston, TX (US)

(**) Term: **14 Years**

(21) Appl. No.: **29/445,394**

(22) Filed: **Feb. 11, 2013**

(51) **LOC (10) Cl.** **06-04**

(52) **U.S. Cl.**
USPC **D6/651**

(58) **Field of Classification Search**
CPC A47B 17/00; A47B 17/02; A47B 17/003;
A47B 21/00; A47B 21/02; A47B 21/04;
A47B 21/0314; A47B 2021/00; A47B
2200/0066
USPC D6/641, 656, 656.16, 656.17, 651, 652;
312/194, 239; 108/50.01, 50.02
See application file for complete search history.

(56) **References Cited**

U.S. PATENT DOCUMENTS

D178,427 S * 7/1956 Ritzerfeld D6/425
3,078,133 A * 2/1963 Schauer 312/321.5
D213,325 S 2/1969 Gawrys
D222,584 S * 11/1971 Lieberman D24/172
D228,482 S 10/1973 Flemings

D255,516 S 6/1980 Pittman
D257,477 S 11/1980 DeLuca
D317,218 S 5/1991 Leeds
D347,341 S 5/1994 Handley
D406,956 S * 3/1999 Lee D6/426
D501,104 S 1/2005 Lawson
D570,131 S * 6/2008 Trinh D6/422
D598,623 S 8/2009 Zang Wentz Pho
D652,655 S 1/2012 Parizek
D661,043 S 5/2012 Brands

* cited by examiner

Primary Examiner — Janice Seeger

(74) *Attorney, Agent, or Firm* — QuickPatents; Kevin Prince

(57) **CLAIM**

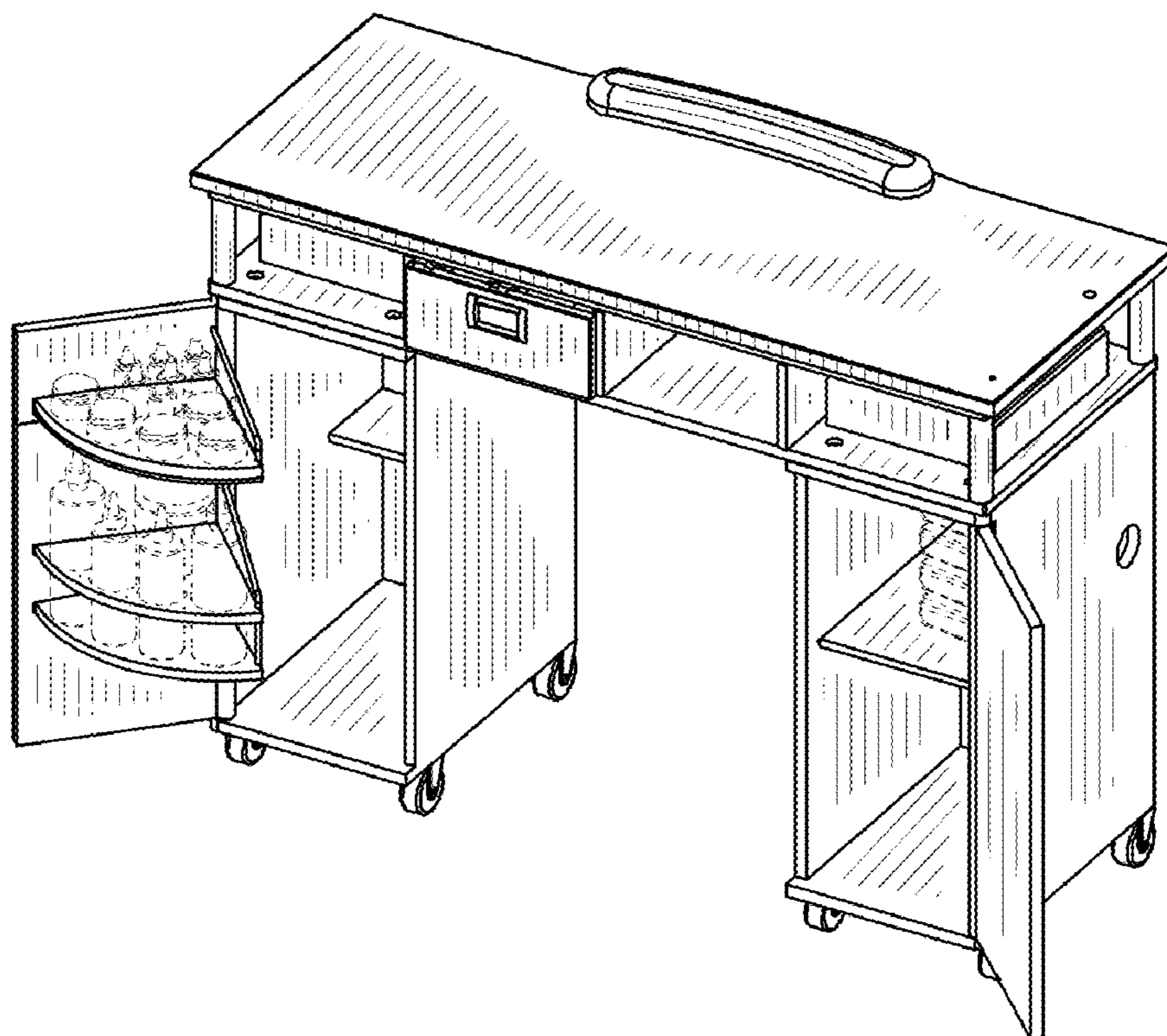
I claim the ornamental design for a manicure table, as shown and described.

DESCRIPTION

FIG. 1 is a rear perspective view of a manicure table, showing my new design with three cabinet doors in an open position; FIG. 2 is a front perspective view thereof; FIG. 3 is a rear elevational view thereof; FIG. 4 is a front elevational view thereof; FIG. 5 is a right-side elevational view thereof; FIG. 6 is a left-side elevational view thereof; FIG. 7 is a top plan view thereof; and, FIG. 8 is a bottom plan view thereof.

The broken lines showing items on shelves in FIG. 1 depict environmental matter and form no part of the claimed design.

1 Claim, 3 Drawing Sheets



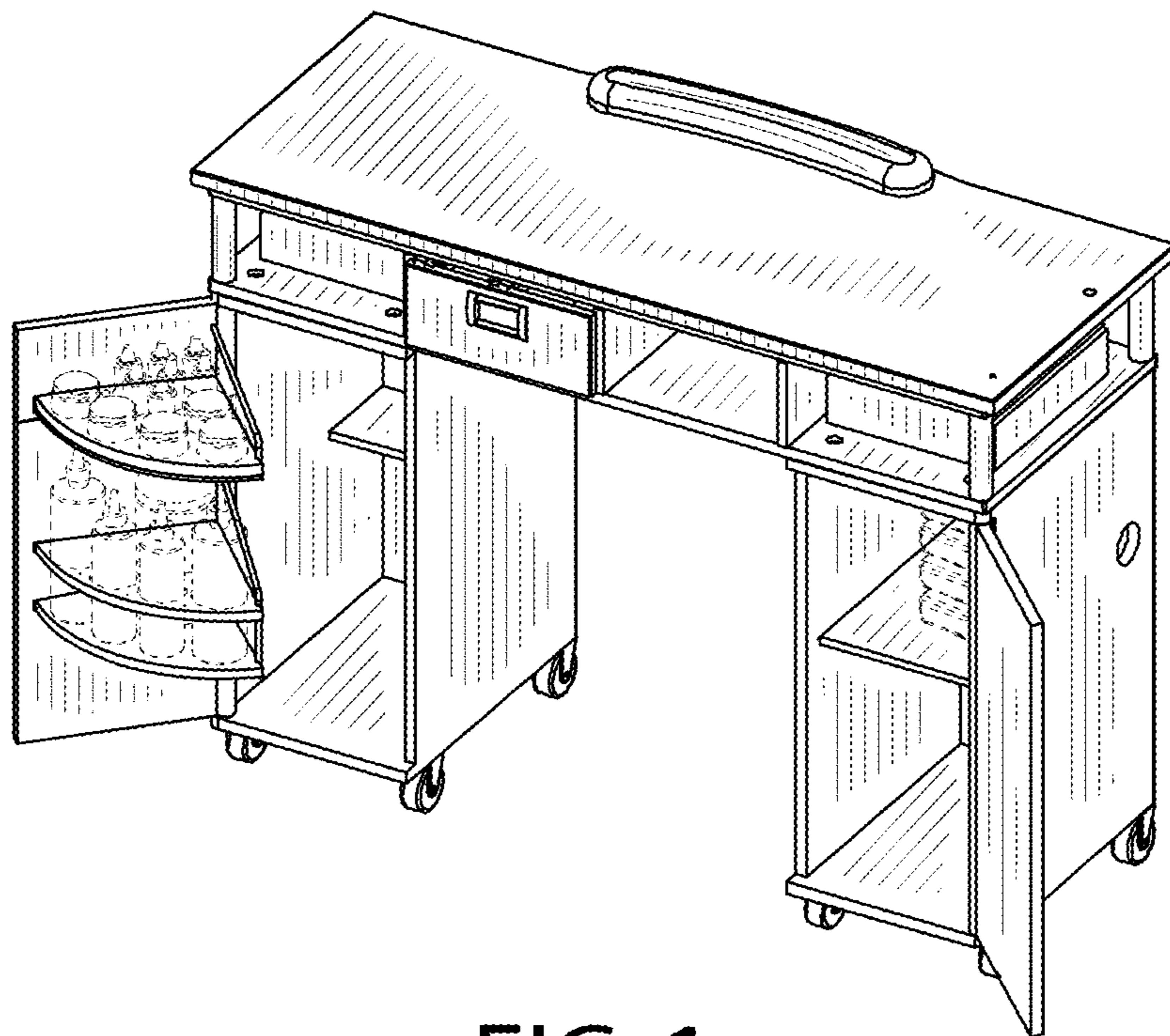


FIG. 1

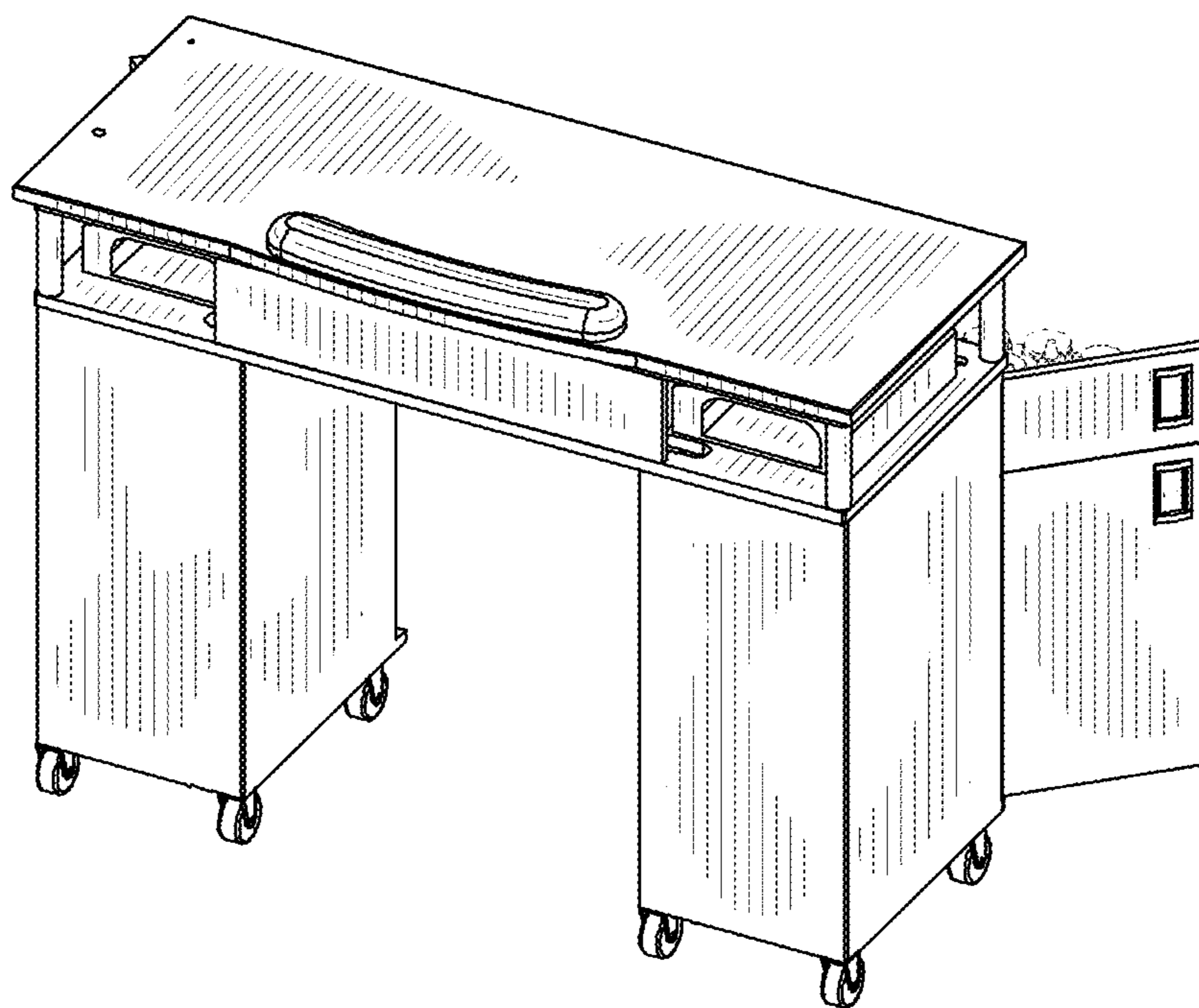


FIG. 2

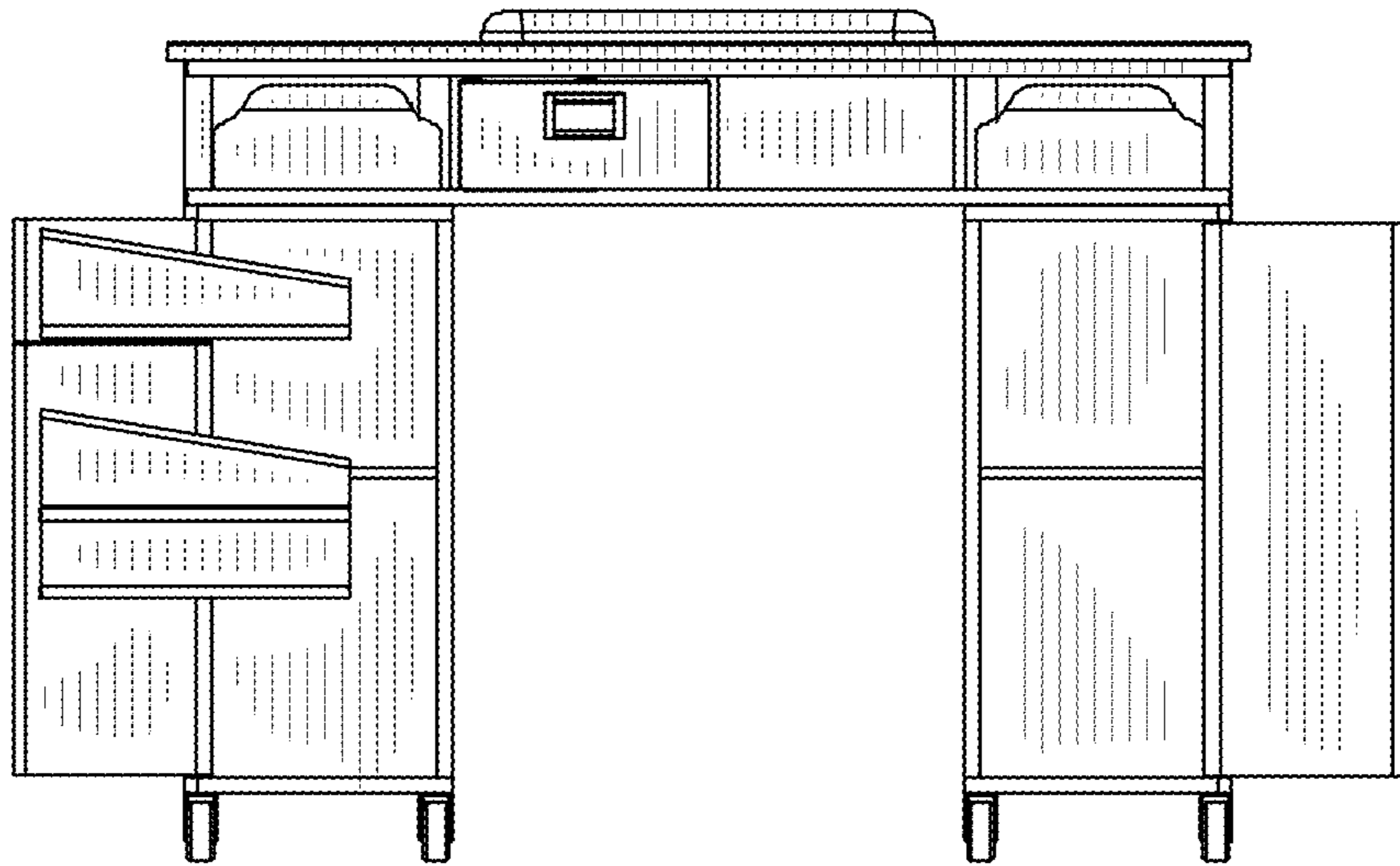


FIG. 3

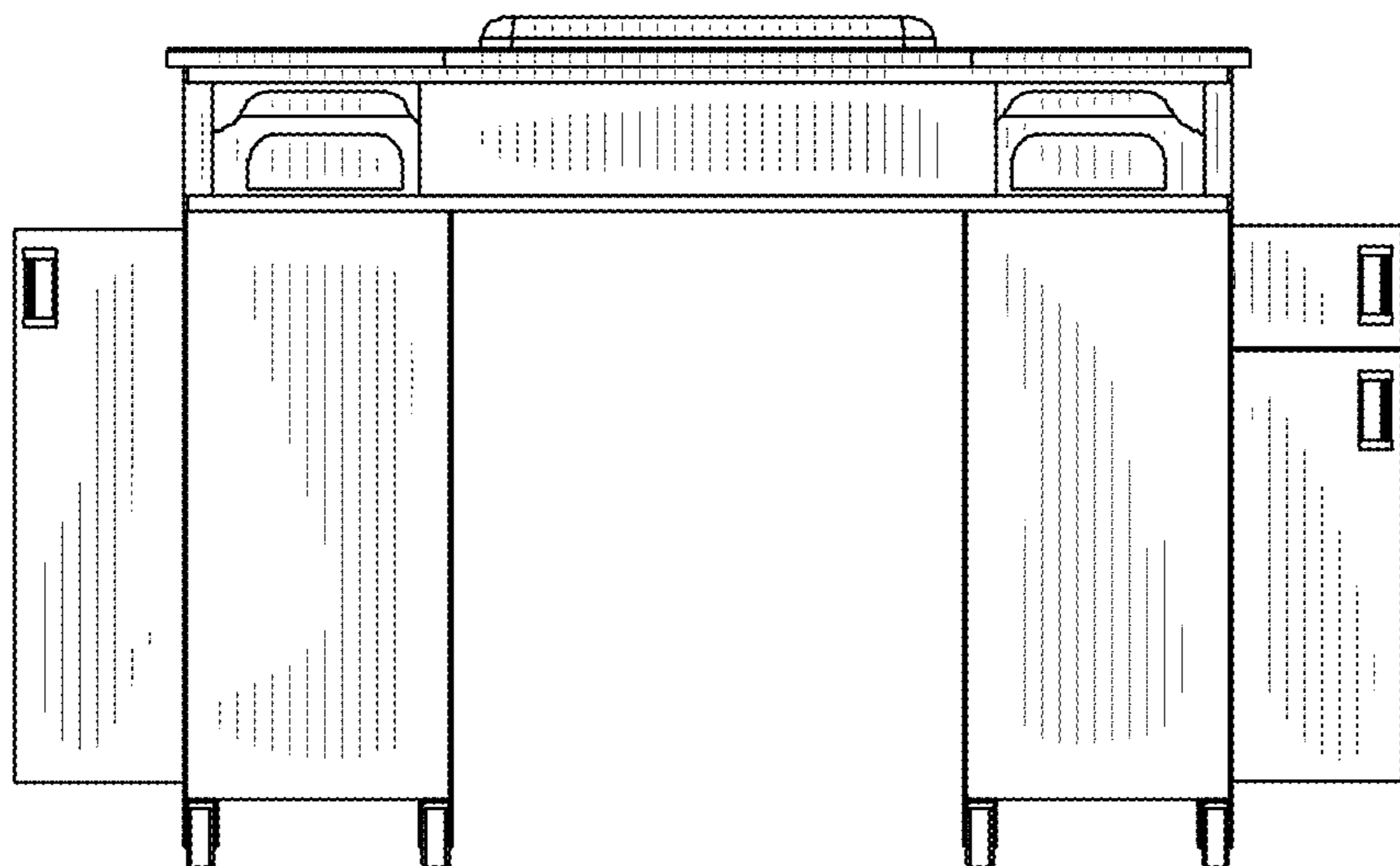


FIG. 4

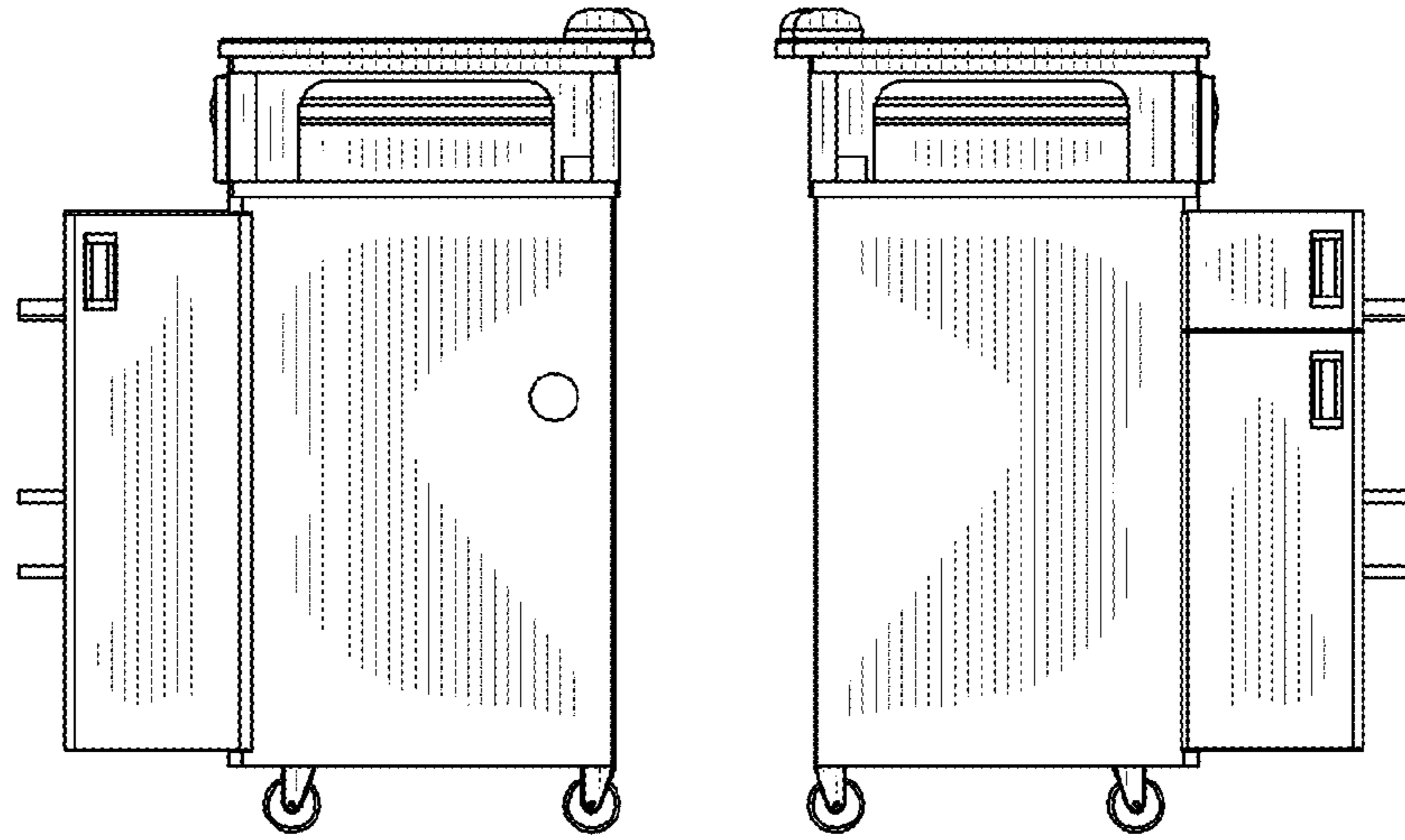


FIG. 5

FIG. 6

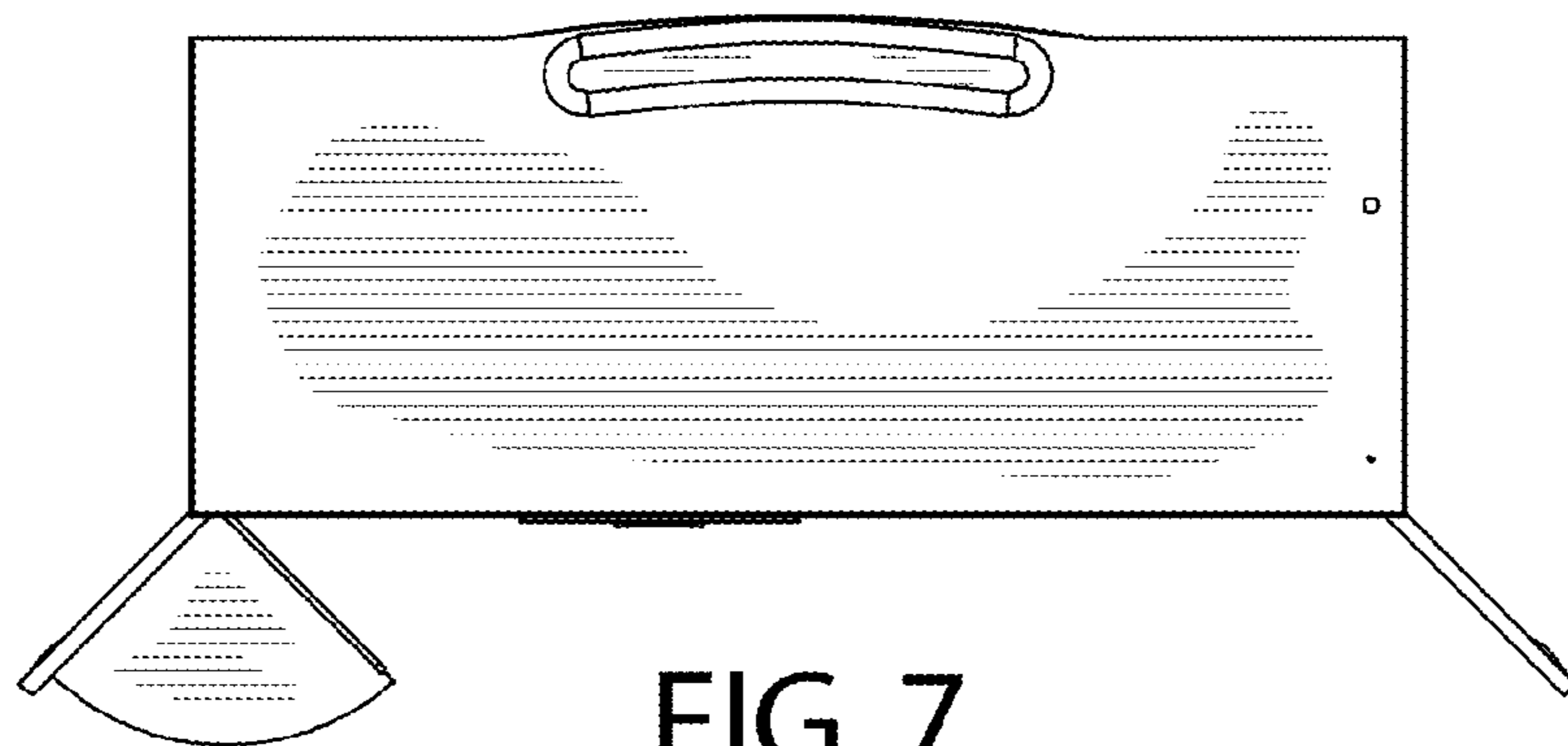


FIG. 7

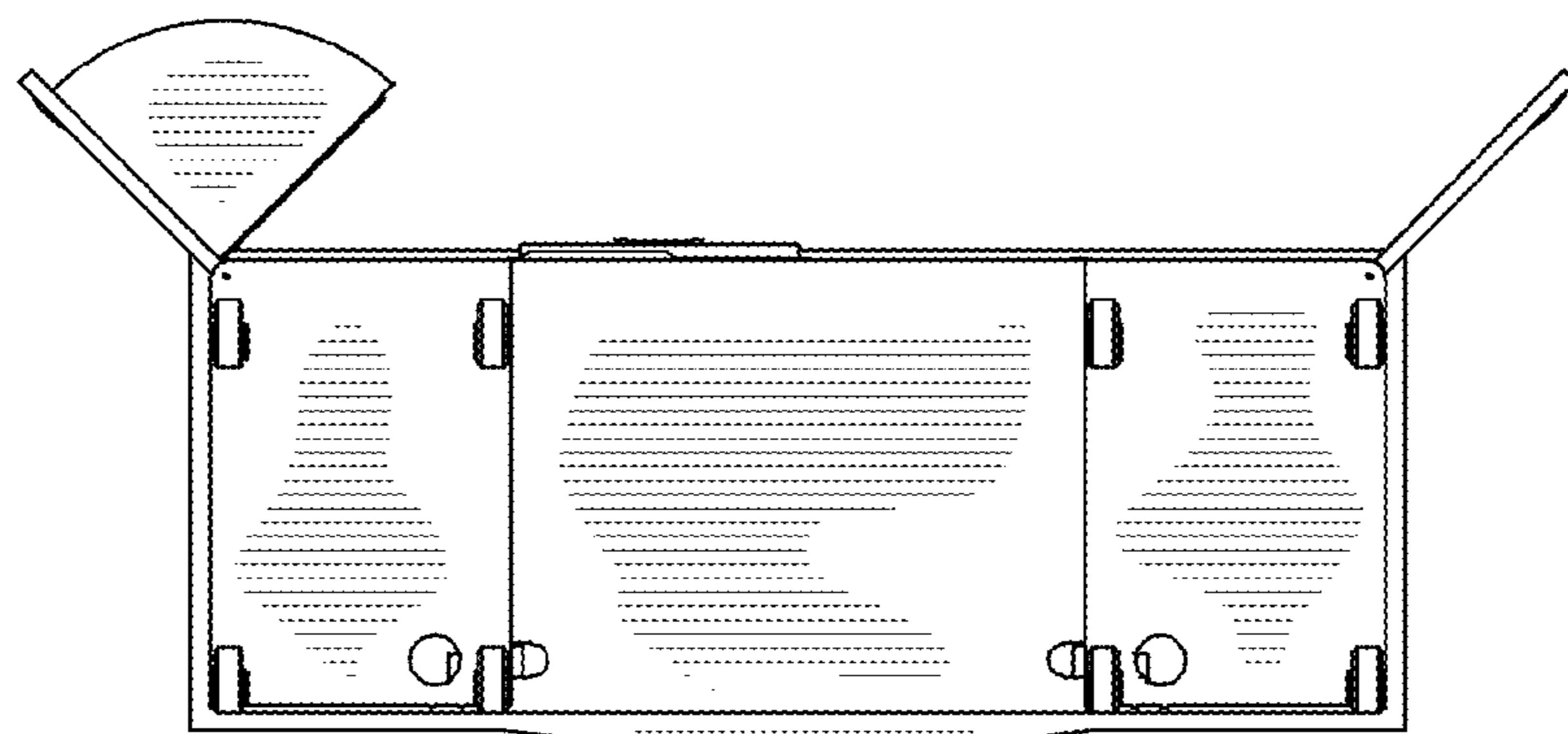


FIG. 8