



US00D715582S

(12) **United States Design Patent**
Mun

(10) **Patent No.:** **US D715,582 S**

(45) **Date of Patent:** **** Oct. 21, 2014**

(54) **CONVERTIBLE FITTED/FLAT BED SHEET**

3,694,832 A * 10/1972 Jamison 5/497
4,040,133 A * 8/1977 Gilreath 5/669
4,045,832 A * 9/1977 DiForti et al. 5/496

(71) Applicant: **Yong C. Mun**, Henderson, NV (US)

* cited by examiner

(72) Inventor: **Yong C. Mun**, Henderson, NV (US)

Primary Examiner — Janice Seeger

(**) Term: **14 Years**

(74) *Attorney, Agent, or Firm* — QuickPatents; Kevin Prince

(21) Appl. No.: **29/493,004**

(57) **CLAIM**

(22) Filed: **Jun. 4, 2014**

I claim the ornamental design for a convertible fitted/flat bed sheet, as shown and described.

Related U.S. Application Data

DESCRIPTION

(62) Division of application No. 29/485,948, filed on Mar. 25, 2014, now Pat. No. Des. 708,869.

(51) **LOC (10) Cl.** **06-09**

(52) **U.S. Cl.**
USPC **D6/602**

(58) **Field of Classification Search**
USPC D6/595, 596, 602, 603, 605; 5/482,
5/494-497, 499, 501
See application file for complete search history.

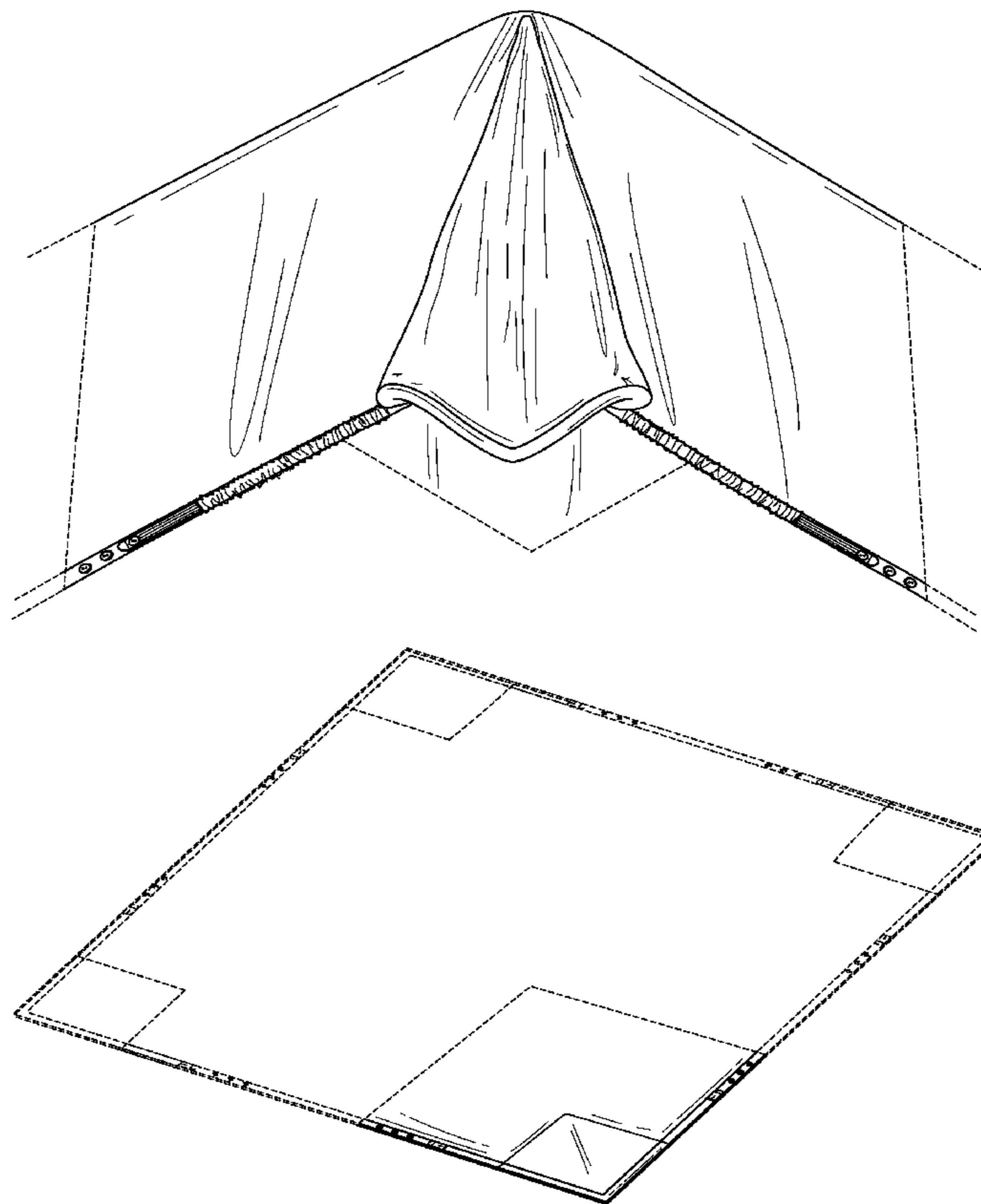
FIG. 1 is a bottom front perspective view of a convertible bed sheet, showing my new design in a fitted-sheet configuration; FIG. 2 is an enlarged bottom front perspective view thereof; FIG. 3 is a top front perspective view thereof, illustrated in a flat-sheet configuration; FIG. 4 is an enlarged bottom front perspective view of FIG. 3; FIG. 5 is an enlarged top plan view of FIG. 3; FIG. 6 is an enlarged bottom plan view of FIG. 4; FIG. 7 is a front elevational view of FIG. 5, the left-side elevational view being a mirror image thereof; and, FIG. 8 is a rear elevational view of FIG. 5, the right-side elevational view being a mirror image thereof. The broken lines showing additional portions of the convertible bed sheet in the drawings form no part of the claimed design.

(56) **References Cited**

U.S. PATENT DOCUMENTS

1,327,824 A * 1/1920 Holland 5/497
2,598,141 A * 5/1952 Simpson 5/497
2,682,062 A * 6/1954 Cogan 5/496
3,381,320 A * 5/1968 Mott 5/658

1 Claim, 4 Drawing Sheets



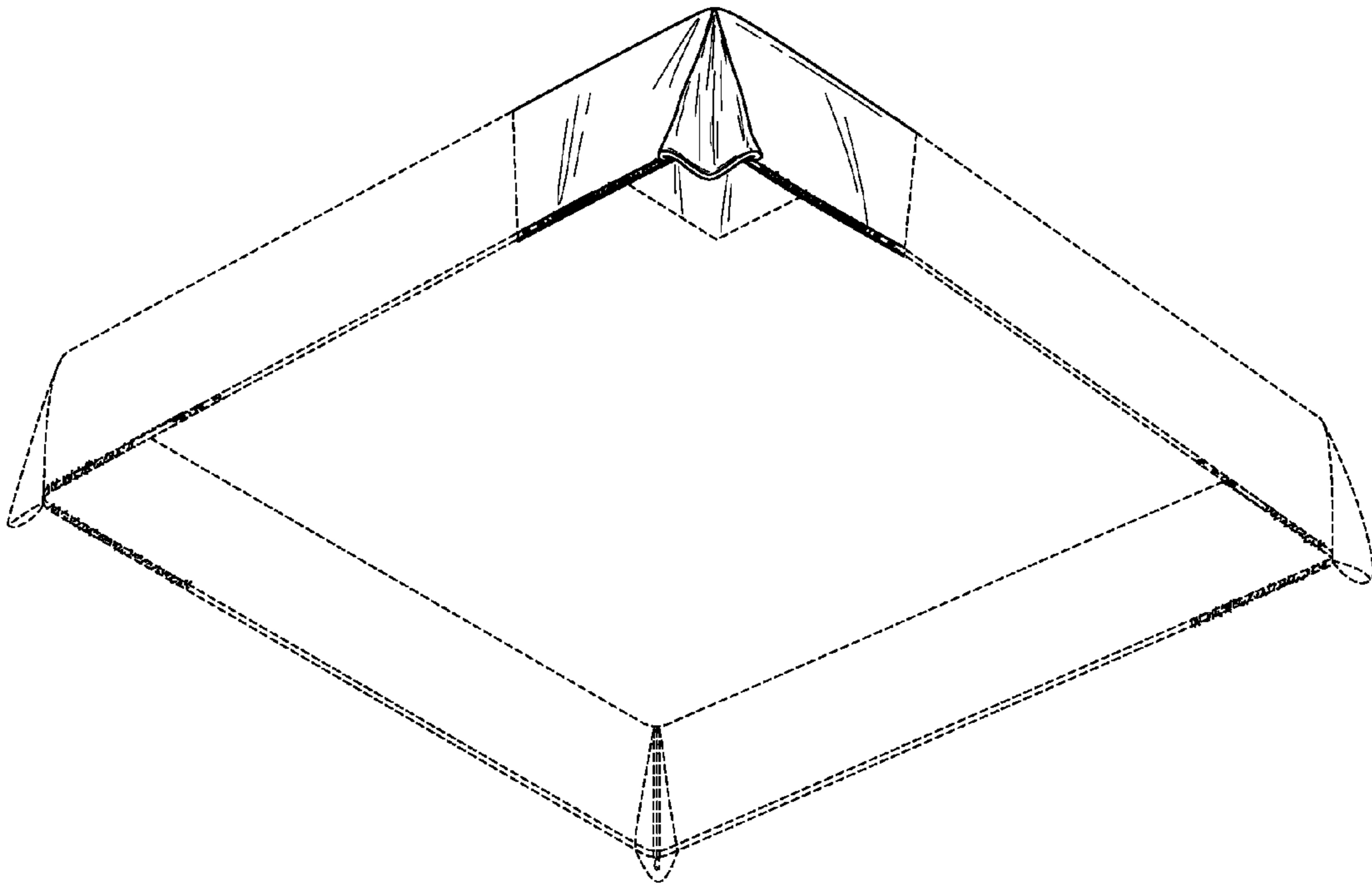


FIG. 1

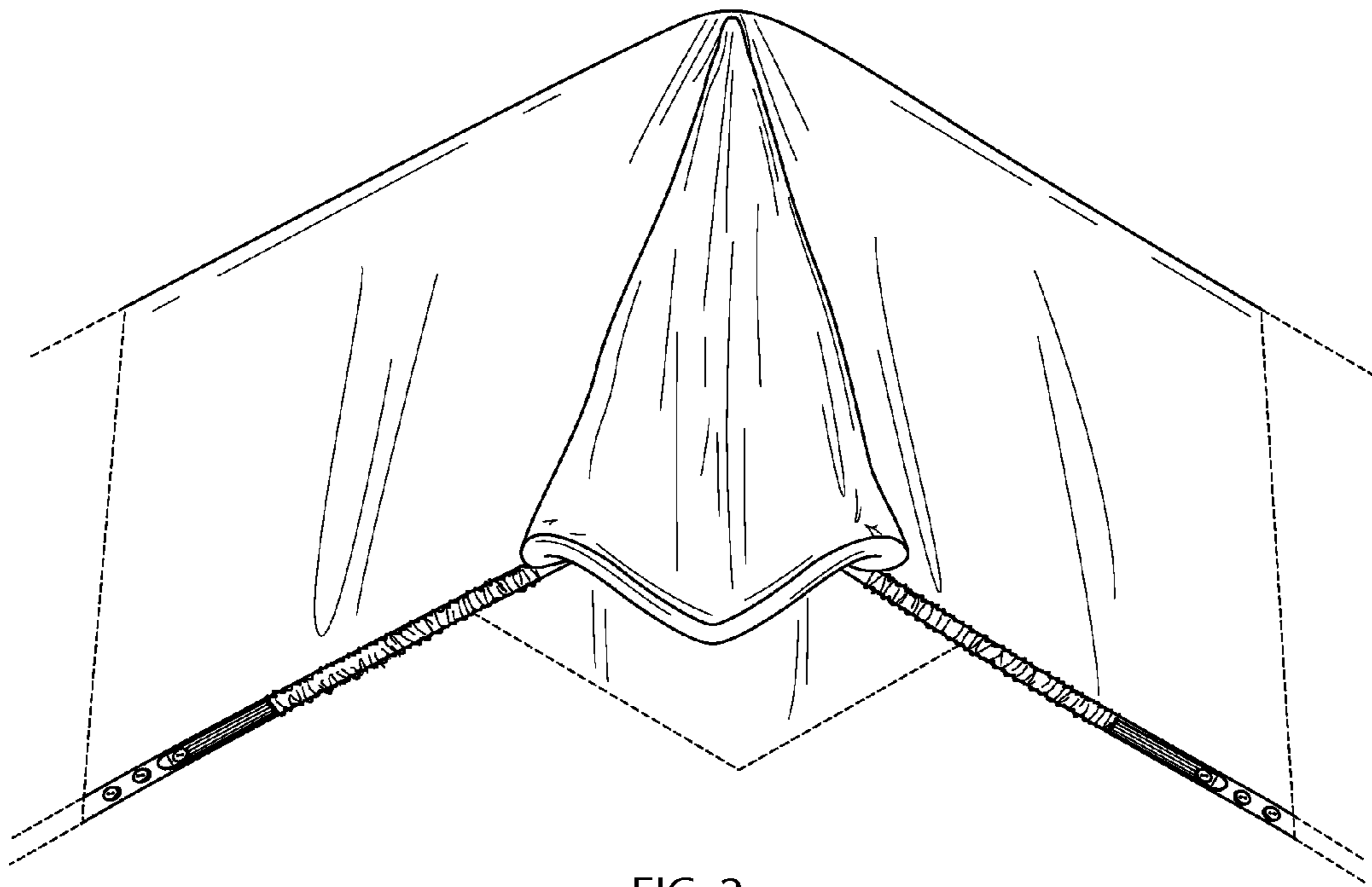


FIG. 2

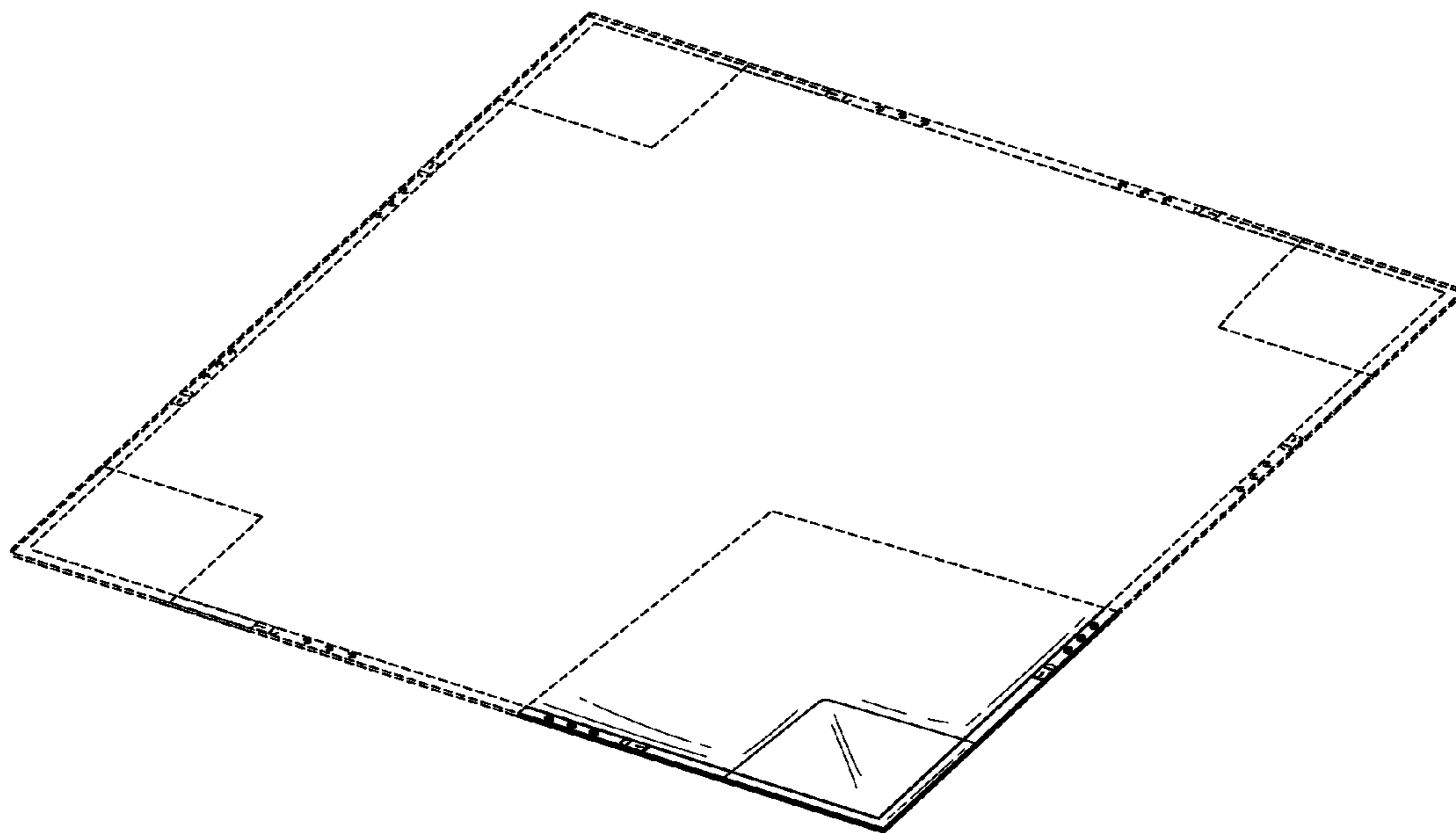


FIG. 3

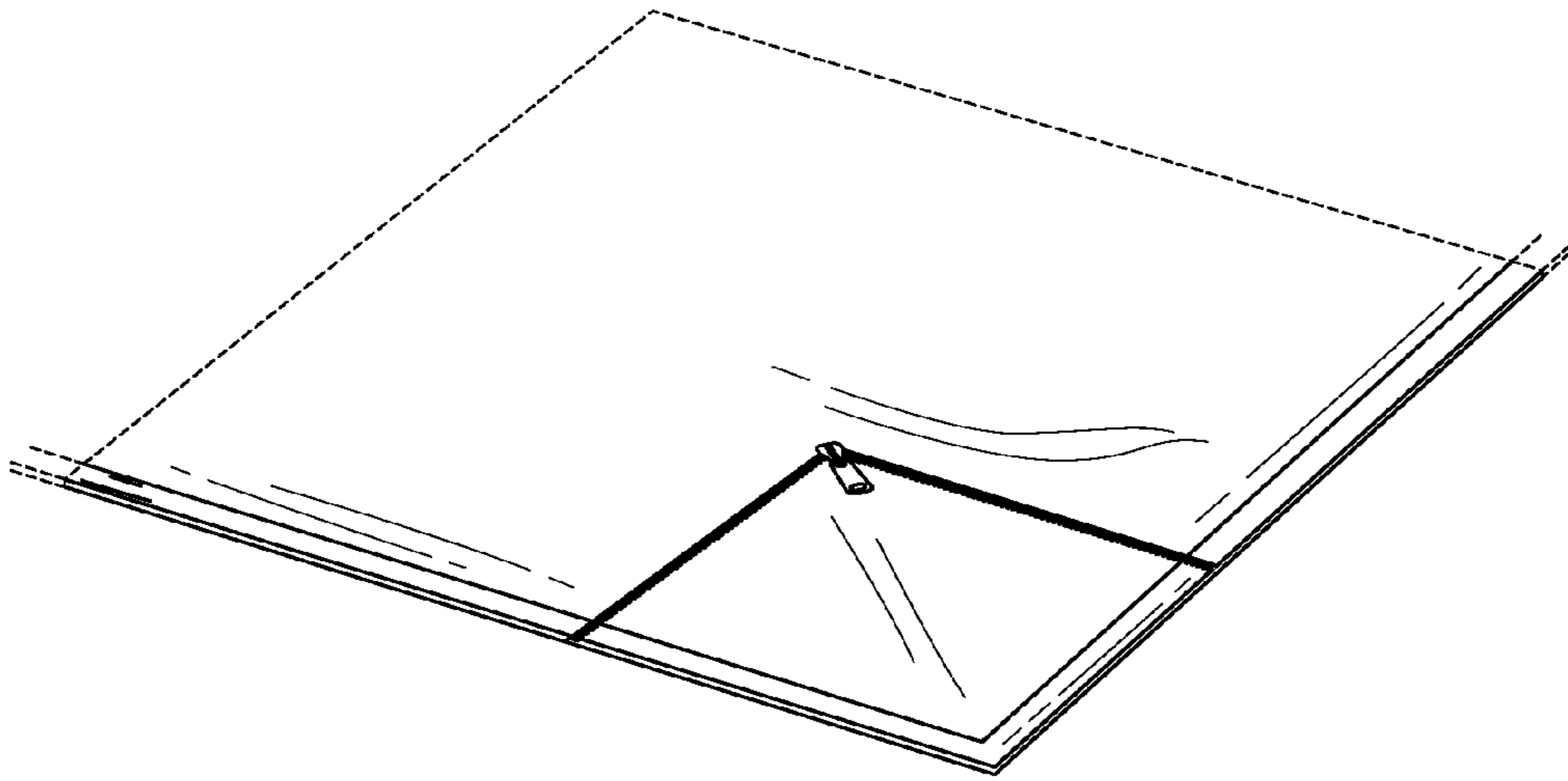


FIG. 4

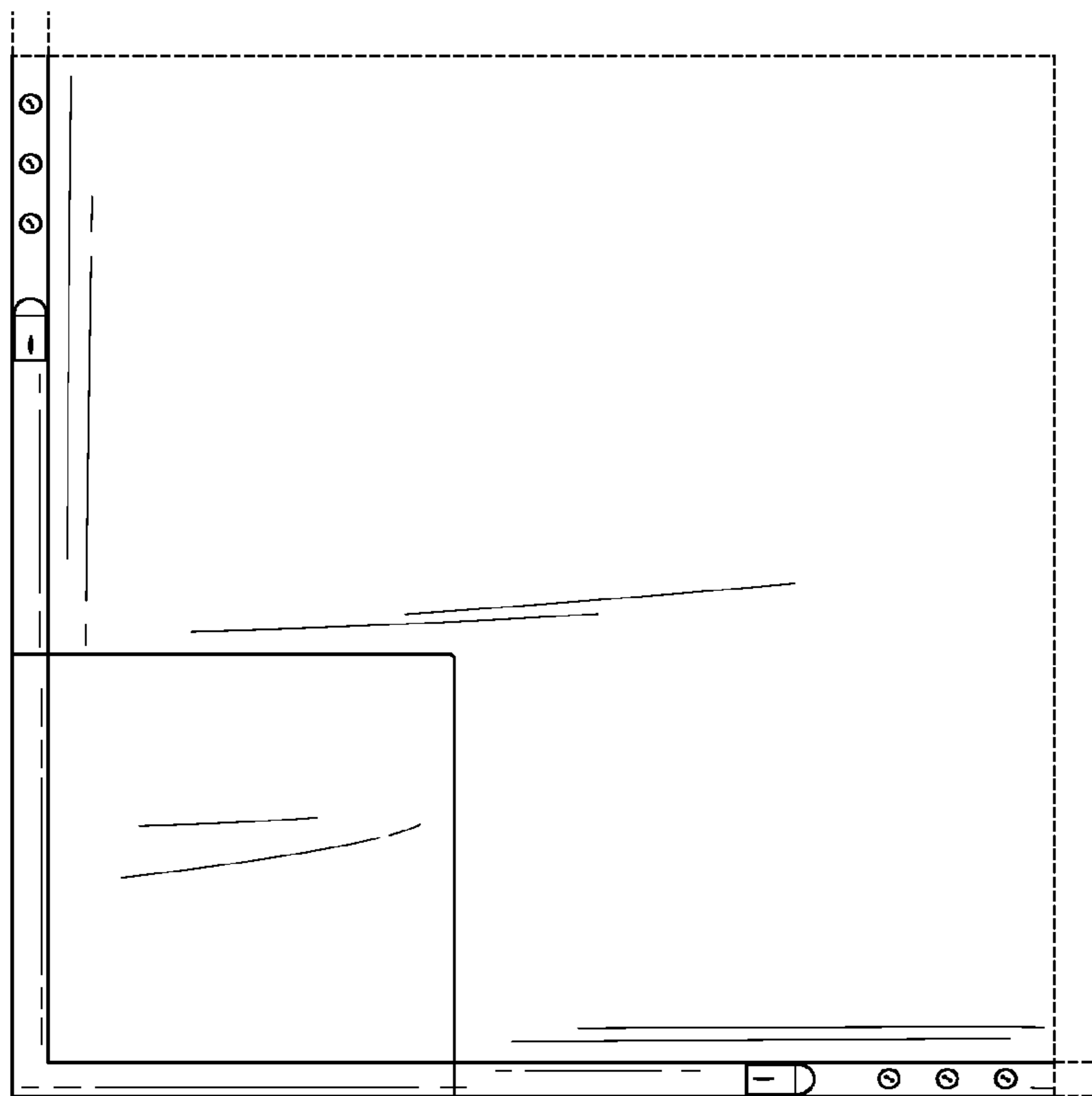


FIG. 5

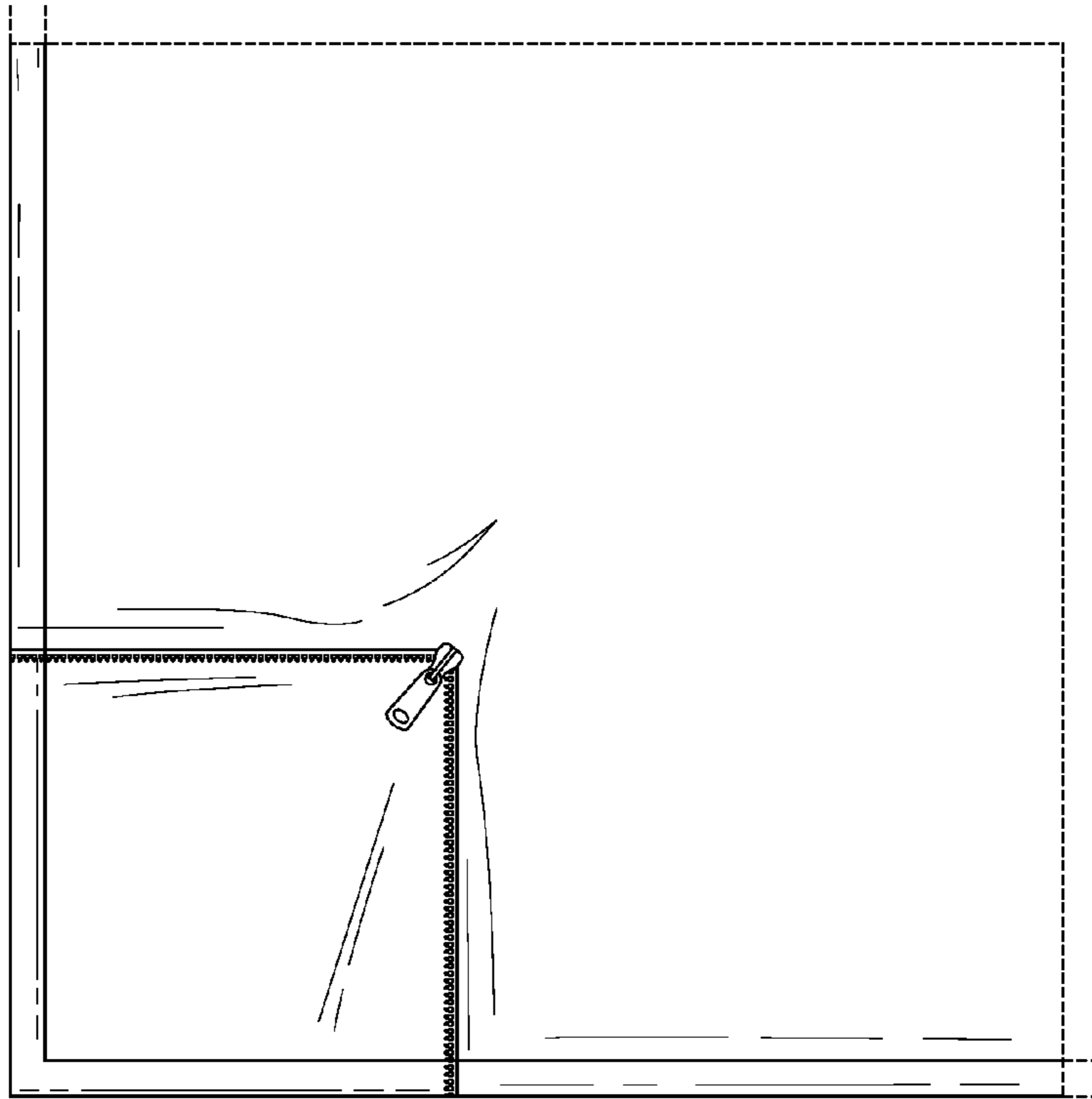


FIG. 6



FIG. 7



FIG. 8