



US00D715576S

(12) **United States Design Patent**
Hagleitner

(10) **Patent No.:** **US D715,576 S**

(45) **Date of Patent:** **** Oct. 21, 2014**

(54) **DISPENSER WITH A BACKLIGHTING FEATURE**

(71) Applicant: **Hans Georg Hagleitner**, Zell am See (AT)

(72) Inventor: **Hans Georg Hagleitner**, Zell am See (AT)

(**) Term: **14 Years**

(21) Appl. No.: **29/490,876**

(22) Filed: **May 15, 2014**

Related U.S. Application Data

(63) Continuation of application No. 29/429,868, filed on Aug. 17, 2012, now Pat. No. Des. 707,979.

(30) **Foreign Application Priority Data**

Feb. 17, 2012	(EP)	1993577-0001
Feb. 17, 2012	(EP)	1993577-0002
Feb. 17, 2012	(EP)	1993577-0003
May 7, 2012	(EP)	2037903-0004

(51) **LOC (10) Cl.** **23-02**

(52) **U.S. Cl.**
USPC **D6/545**

(58) **Field of Classification Search**
USPC D6/542-545; 221/208, 282, 283;
222/105, 173, 180, 181.1, 181.2, 181.3
See application file for complete search history.

(56) **References Cited**

U.S. PATENT DOCUMENTS

D464,514 S	*	10/2002	Lewis et al.	D6/545
D597,356 S	*	8/2009	Storz	D6/545
D611,747 S	*	3/2010	Kramer et al.	D6/545
D637,848 S	*	5/2011	Kramer et al.	D6/545
D680,781 S	*	4/2013	Marshall	D6/545

* cited by examiner

Primary Examiner — Brian N Vinson

(74) *Attorney, Agent, or Firm* — Laurence A. Greenberg; Werner H. Stemer; Ralph E. Locher

(57) **CLAIM**

The ornamental design for a dispenser with a backlighting feature, as shown and described.

DESCRIPTION

FIG. 1 is a left side perspective view of the dispenser, showing my new design;

FIG. 2 is a front elevation view thereof;

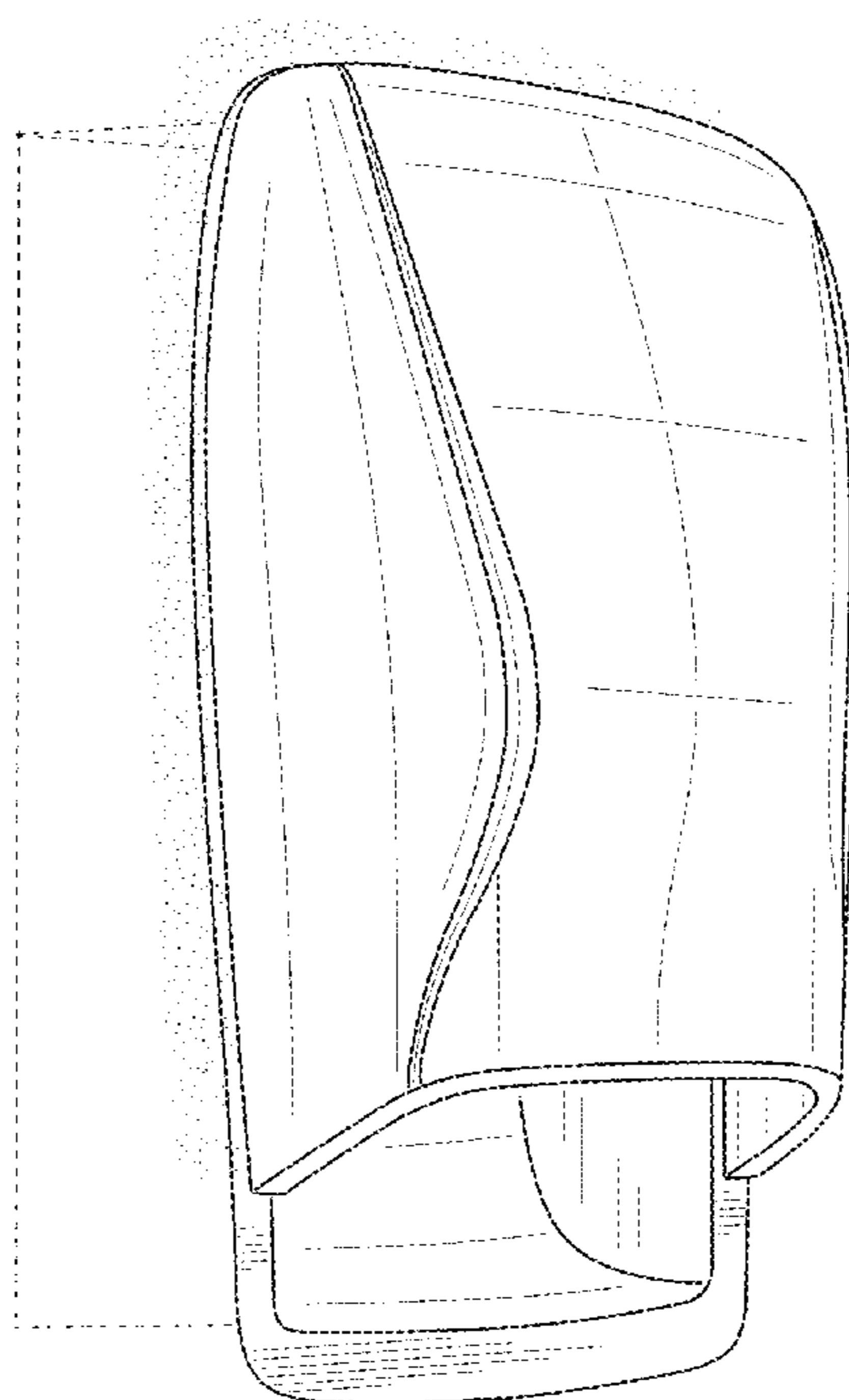
FIG. 3 is a right side elevation view thereof, the left side being a mirror image thereof;

FIG. 4 is a top view thereof; and,

FIG. 5 is a bottom view thereof.

The broken lines depict environmental structure (e.g., a hidden portion of the dispenser) and do not form a part of the claim. The stippling surrounding the dispenser at the back wall represents backlighting forming a halo around the dispenser.

1 Claim, 5 Drawing Sheets



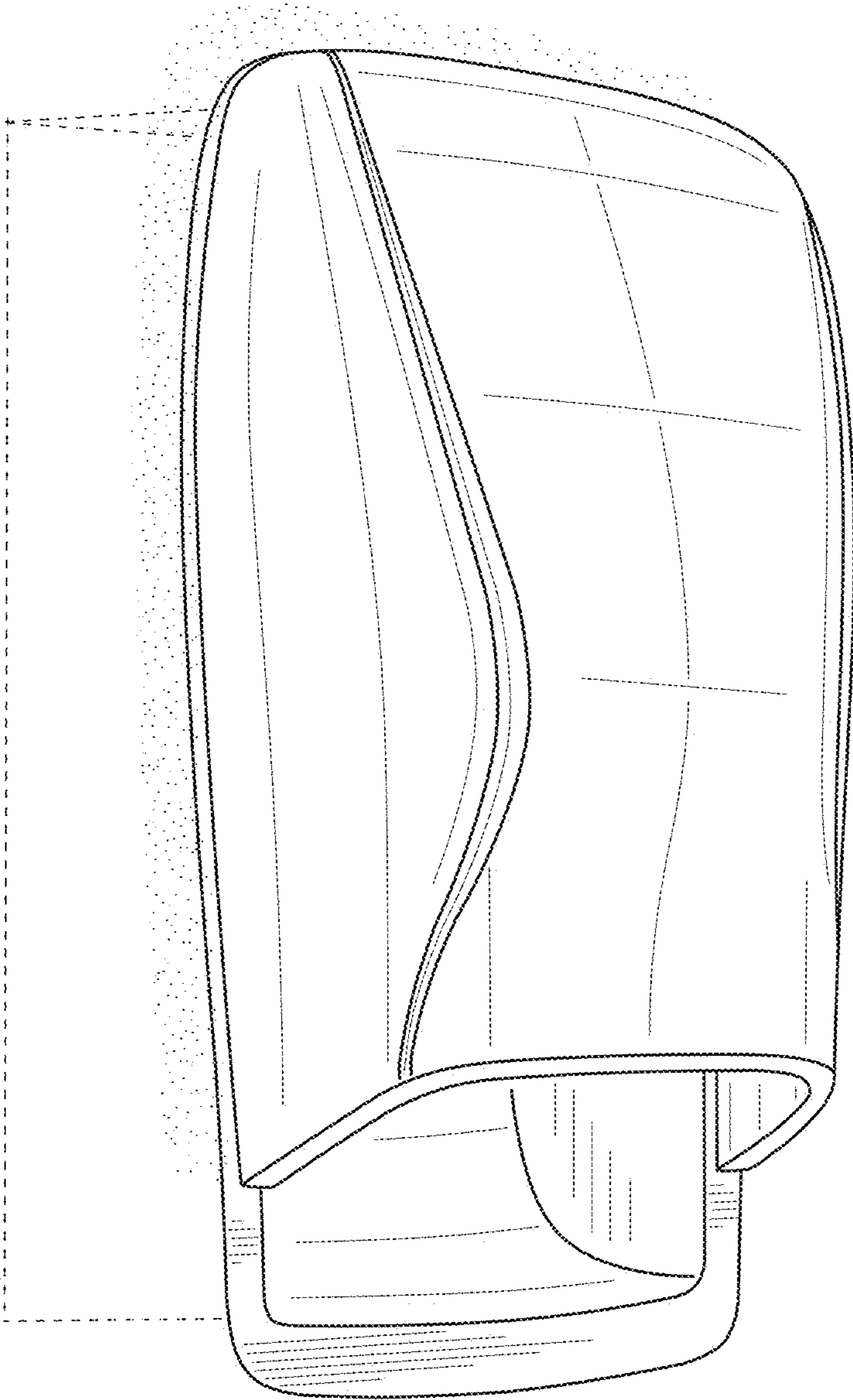


FIG. 1

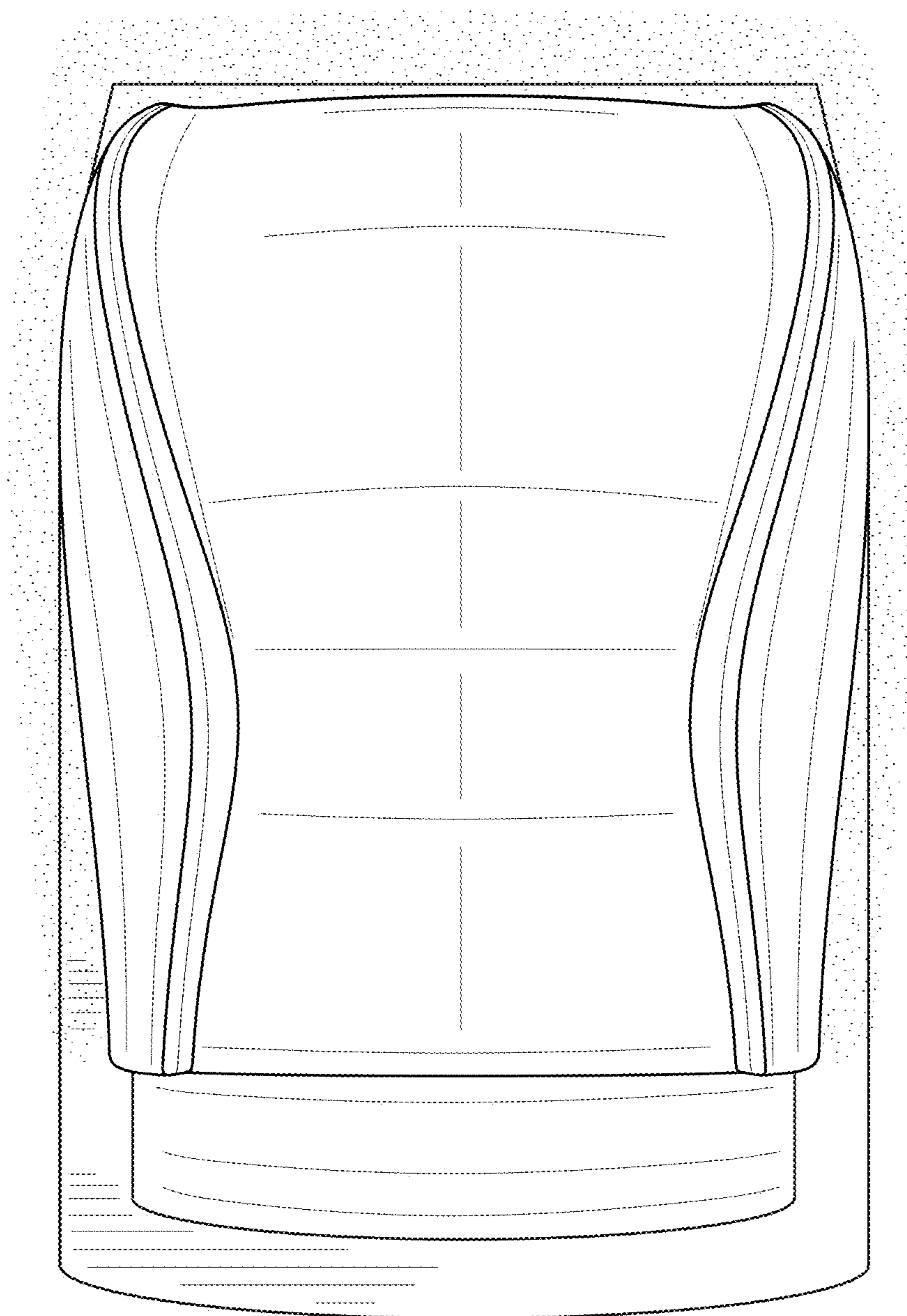


FIG. 2

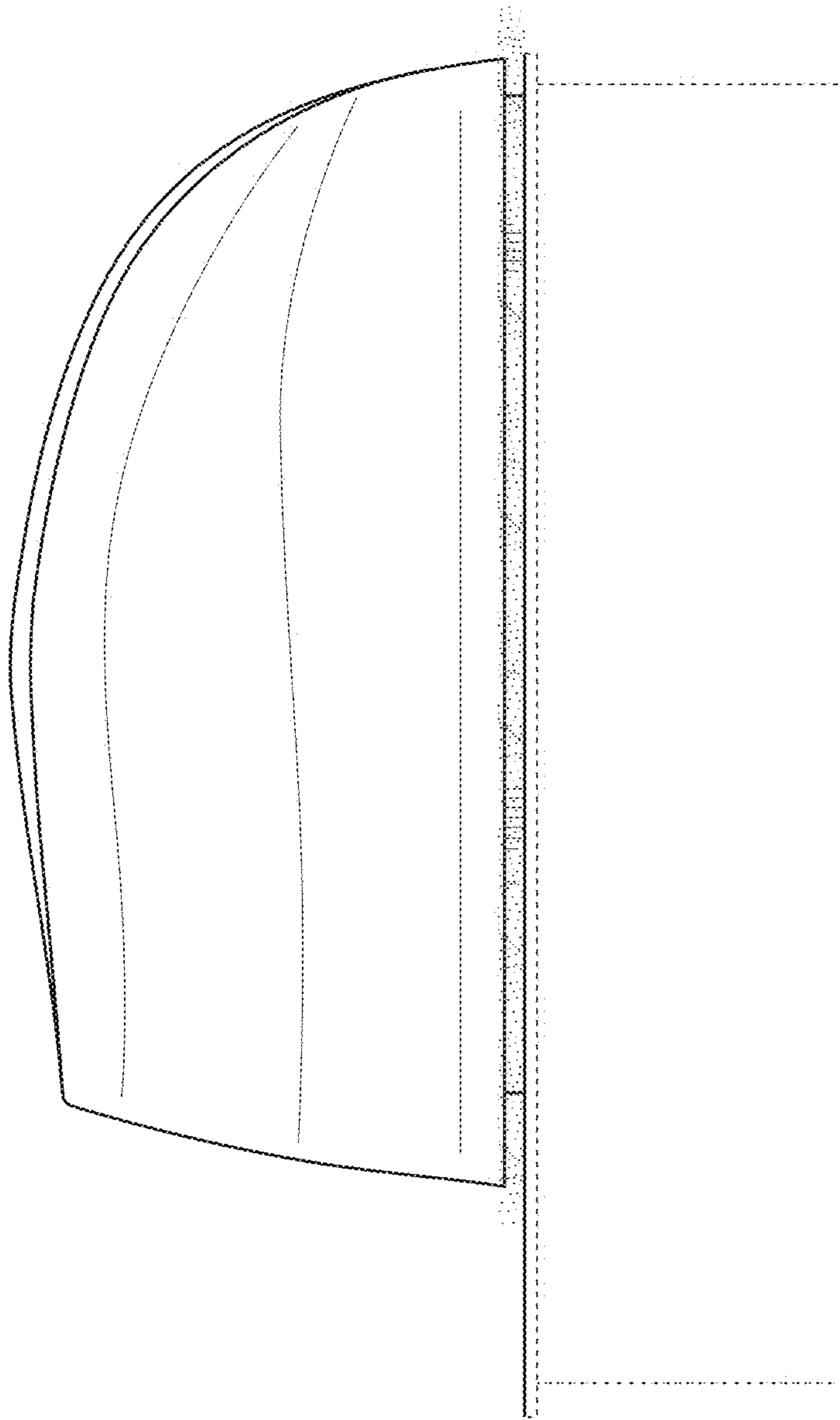


FIG. 3

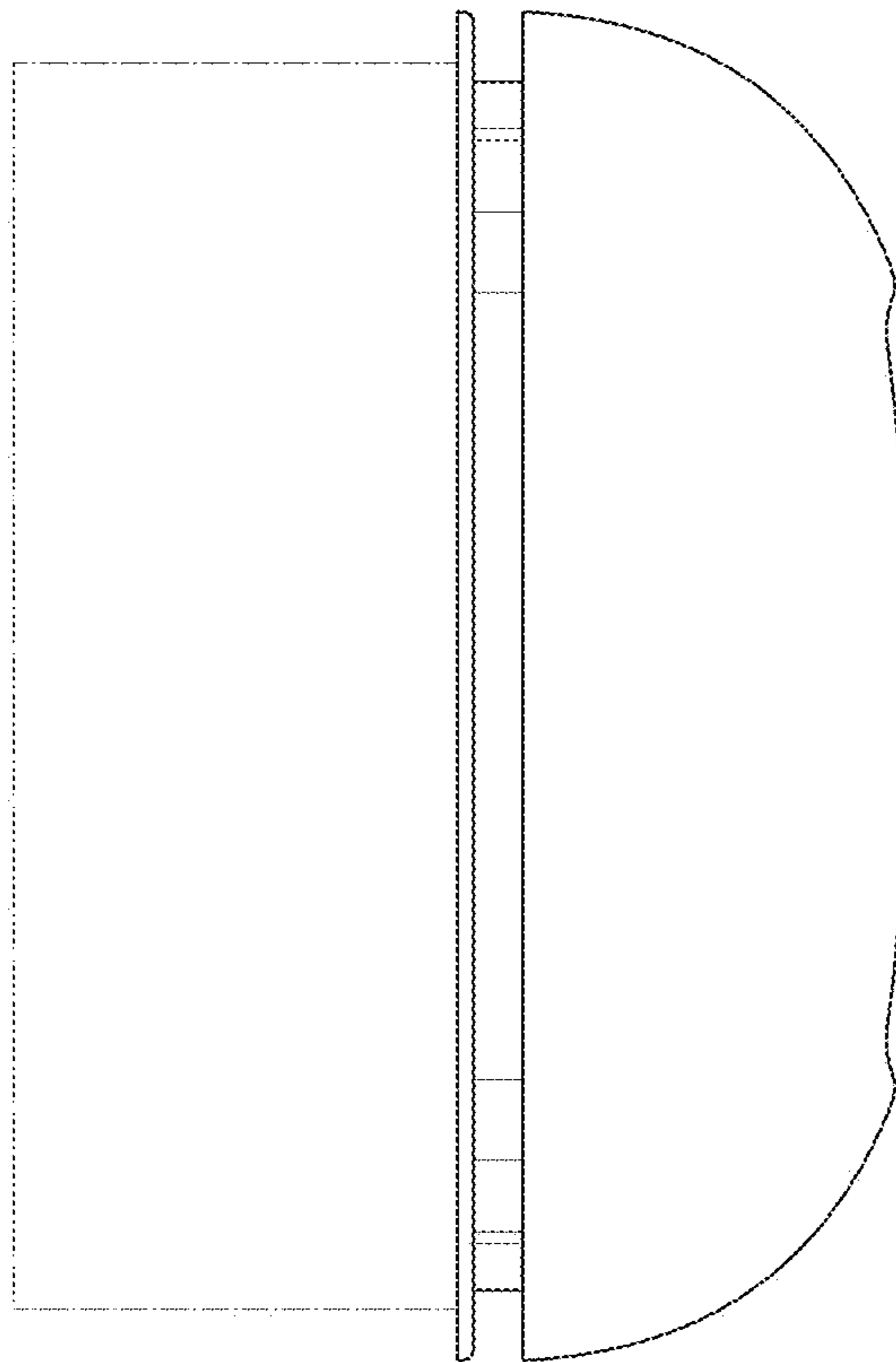


FIG. 4

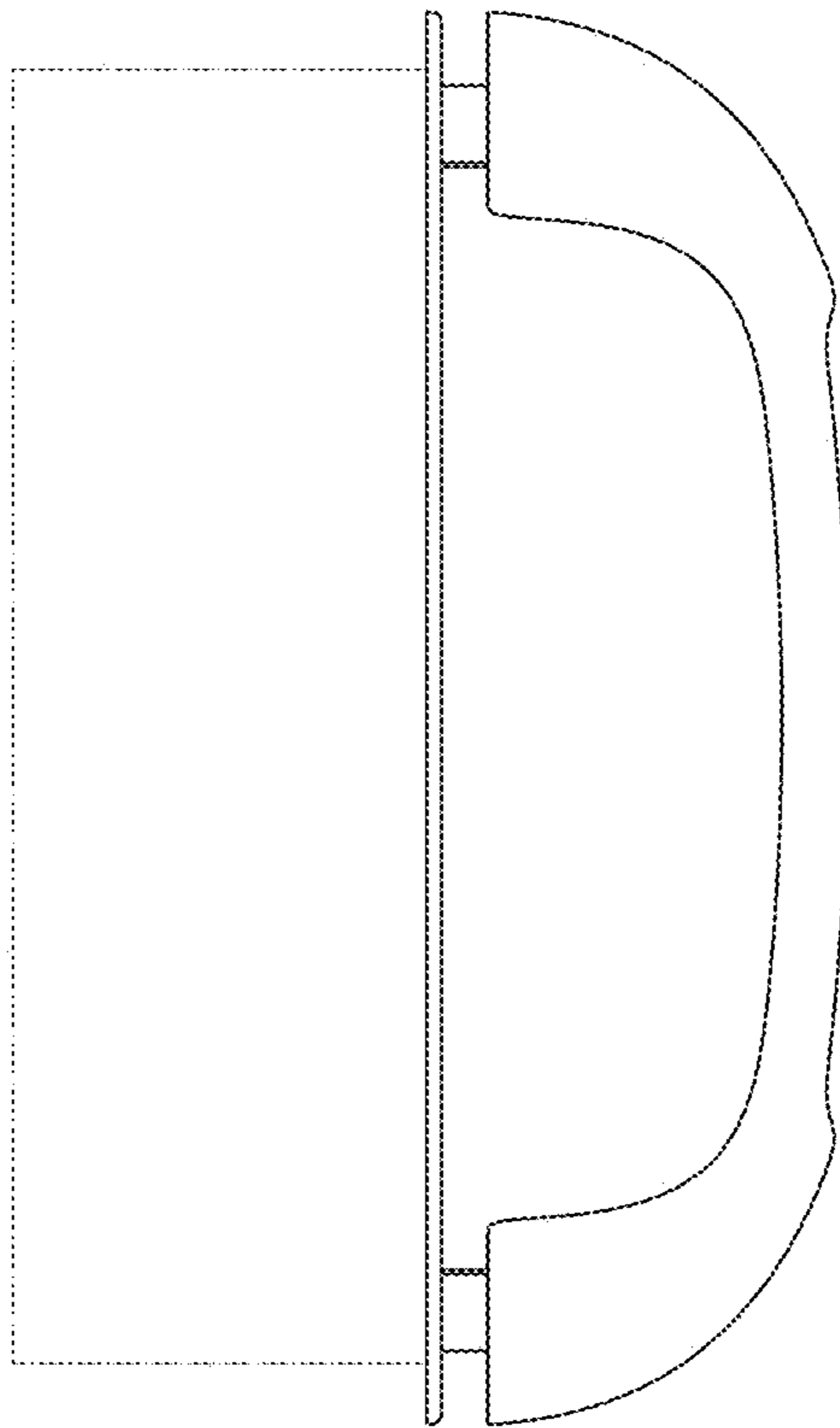


FIG. 5