



US00D715575S

(12) **United States Design Patent**  
**Williams et al.**

(10) **Patent No.:** **US D715,575 S**  
(45) **Date of Patent:** **\*\* Oct. 21, 2014**

- (54) **HOLDER FOR A CLEANING IMPLEMENT**
- (71) Applicant: **S.C. Johnson & Son, Inc.**, Racine, WI (US)
- (72) Inventors: **Neil P. Williams**, Racine, WI (US); **Christopher Conley**, Milwaukee, WI (US); **Jo Anthony Sasota**, Milwaukee, WI (US); **Chrysoula Myrto Nigl**, Highland Park, IL (US); **Heather Harwood**, Oak Creek, WI (US); **Christopher Alan Harris**, Madison, WI (US); **Christopher T. Straham**, Deforest, WI (US)

D298,712 S	11/1988	Mattei	
D307,967 S	5/1990	Lanius	
D309,971 S	8/1990	Quong	
D329,561 S	9/1992	Nyorkor	
D343,713 S	* 1/1994	Barber	..... D3/308
D364,039 S	* 11/1995	Kruger	..... D3/315
D413,419 S	8/1999	Arbak et al.	
D414,064 S	9/1999	Shafik	
D421,169 S	2/2000	Demore et al.	
D425,744 S	5/2000	McGuire	
D450,964 S	11/2001	Johnson	
D471,393 S	3/2003	Hutchinson	
D477,483 S	7/2003	Brown et al.	
D482,920 S	12/2003	Libman et al.	
D483,164 S	12/2003	Lin	
D484,292 S	12/2003	Lin	

(Continued)

- (73) Assignee: **S.C. Johnson & Son, Inc.**, Racine, WI (US)

*Primary Examiner* — Brian N Vinson

(\*\*) Term: **14 Years**

(57) **CLAIM**

The ornamental design for a holder for a cleaning implement, as shown and described.

(21) Appl. No.: **29/482,505**

**DESCRIPTION**

(22) Filed: **Feb. 19, 2014**

(51) **LOC (10) Cl.** ..... **23-02**

(52) **U.S. Cl.**  
USPC ..... **D6/524**

(58) **Field of Classification Search**  
USPC ..... D6/524, 525, 527, 551, 707.16, 704;  
D34/1, 7, 10, 11; 220/908, 908.1, 909,  
220/910, 911; 206/207, 349, 361; 312/206,  
312/207; 4/255.05, 255.11; D3/259, 304,  
D3/307, 308, 309, 310, 311, 313, 315  
See application file for complete search history.

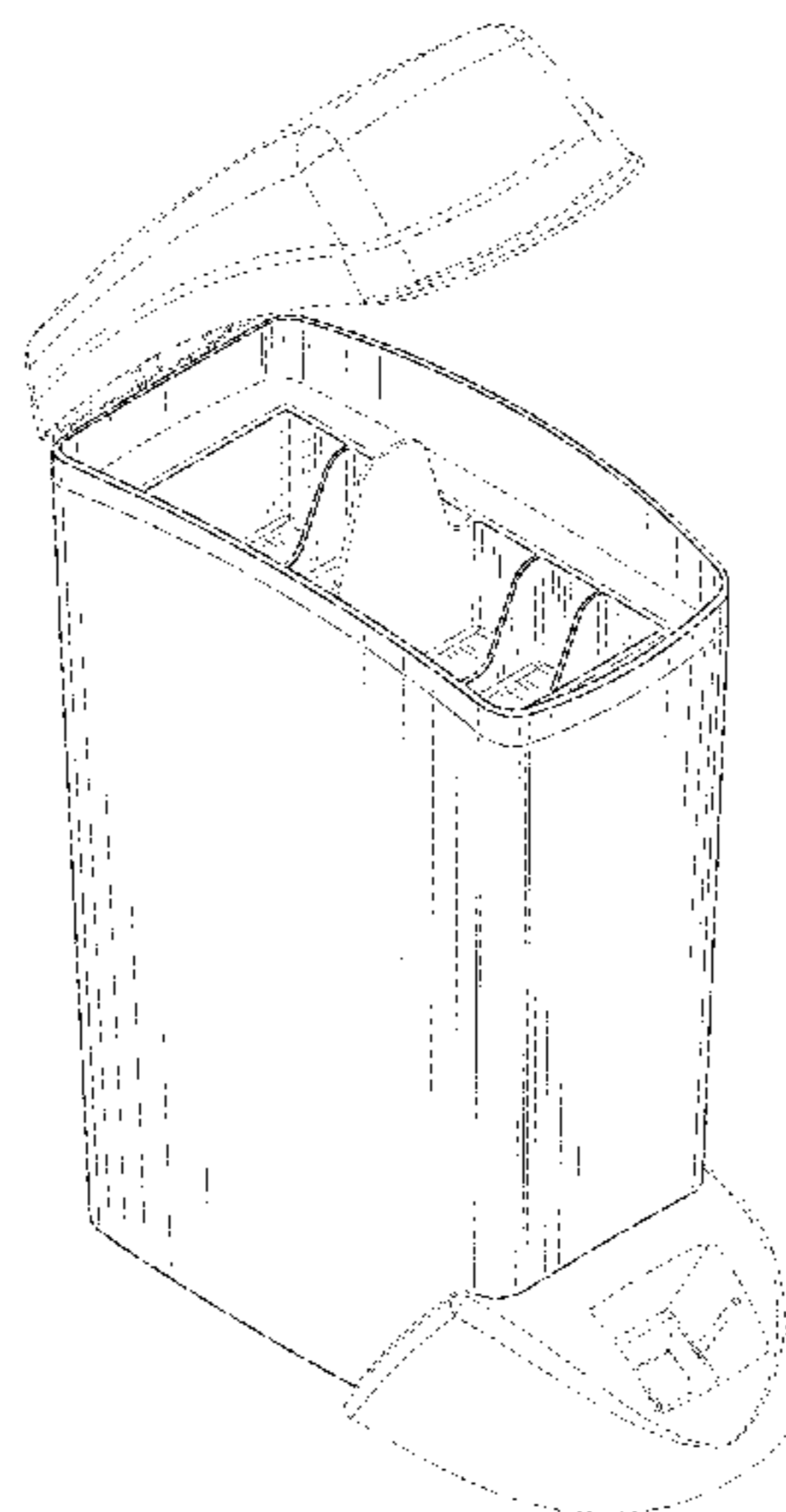
FIG. 1 is a top, front, left perspective view of a holder for a cleaning implement our new design;  
 FIG. 2 is a front view thereof;  
 FIG. 3 is a rear view thereof;  
 FIG. 4 is a right side view thereof;  
 FIG. 5 is a left side view thereof;  
 FIG. 6 is a top view thereof;  
 FIG. 7 is a bottom view thereof;  
 FIG. 8 is a top, front left perspective view with the top portion a closed position thereof; and,  
 FIG. 9 shows a top view with the top portion omitted for illustration purposes.  
 The uneven-length broken lines represent unclaimed boundaries of the claimed design. The even-length broken lines showing the remainder of the holder for a cleaning implement are for environmental purposes only and form no part of the claimed design.

(56) **References Cited**

U.S. PATENT DOCUMENTS

D211,842 S	7/1968	Vilegi
3,463,353 A	8/1969	Peebles
D255,094 S	5/1980	Wright
D272,874 S	3/1984	Cohen
D297,292 S	8/1988	Plymale

**1 Claim, 7 Drawing Sheets**



(56)

**References Cited**

U.S. PATENT DOCUMENTS

D488,902 S	4/2004	Yang et al.	7,316,046 B2	1/2008	Michaels et al.	
D491,404 S	6/2004	Dotterman et al.	D566,922 S	4/2008	Lee	
D493,590 S	7/2004	Chen	D569,105 S	5/2008	Van Hoorn	
D493,994 S	8/2004	Belt et al.	D575,086 S	8/2008	Savran	
D495,182 S	8/2004	Vitantonio et al.	D578,266 S	10/2008	Yang et al.	
D500,223 S	12/2004	Libman et al.	D588,365 S	3/2009	Conway et al.	
D500,618 S	1/2005	Nagoya	D589,734 S	4/2009	Weis et al.	
D501,347 S	2/2005	Conway et al.	D596,820 S	7/2009	Yang et al.	
D501,728 S	2/2005	Conway et al.	7,581,276 B2	9/2009	Endo et al.	
D502,002 S	2/2005	Conway et al.	D603,119 S	10/2009	Yang et al.	
D502,324 S	3/2005	Conway et al.	7,650,663 B2	1/2010	Michaels et al.	
7,044,299 B2	5/2006	Nagoya	7,669,715 B2	3/2010	Wang	
7,059,008 B2	6/2006	Morgan et al.	7,827,648 B2	11/2010	Soller et al.	
D525,467 S	7/2006	Michelson et al.	D629,635 S	12/2010	Raven	
D528,333 S	9/2006	Wildauer et al.	D636,960 S	4/2011	Duvigneau	
D532,564 S	11/2006	Neumann et al.	D644,390 S	8/2011	Smeets et al.	
7,159,265 B2	1/2007	Soller et al.	D649,786 S *	12/2011	Lipfert et al. ....	D3/308
D547,987 S	8/2007	Yang et al.	D652,189 S	1/2012	Morand	
D560,630 S	1/2008	Mitchell et al.	D660,630 S	5/2012	Soller et al.	
			D672,591 S	12/2012	Soller et al.	
			D688,589 S *	8/2013	Hung et al. ....	D3/315
			D688,870 S *	9/2013	Levie .....	D3/311

\* cited by examiner

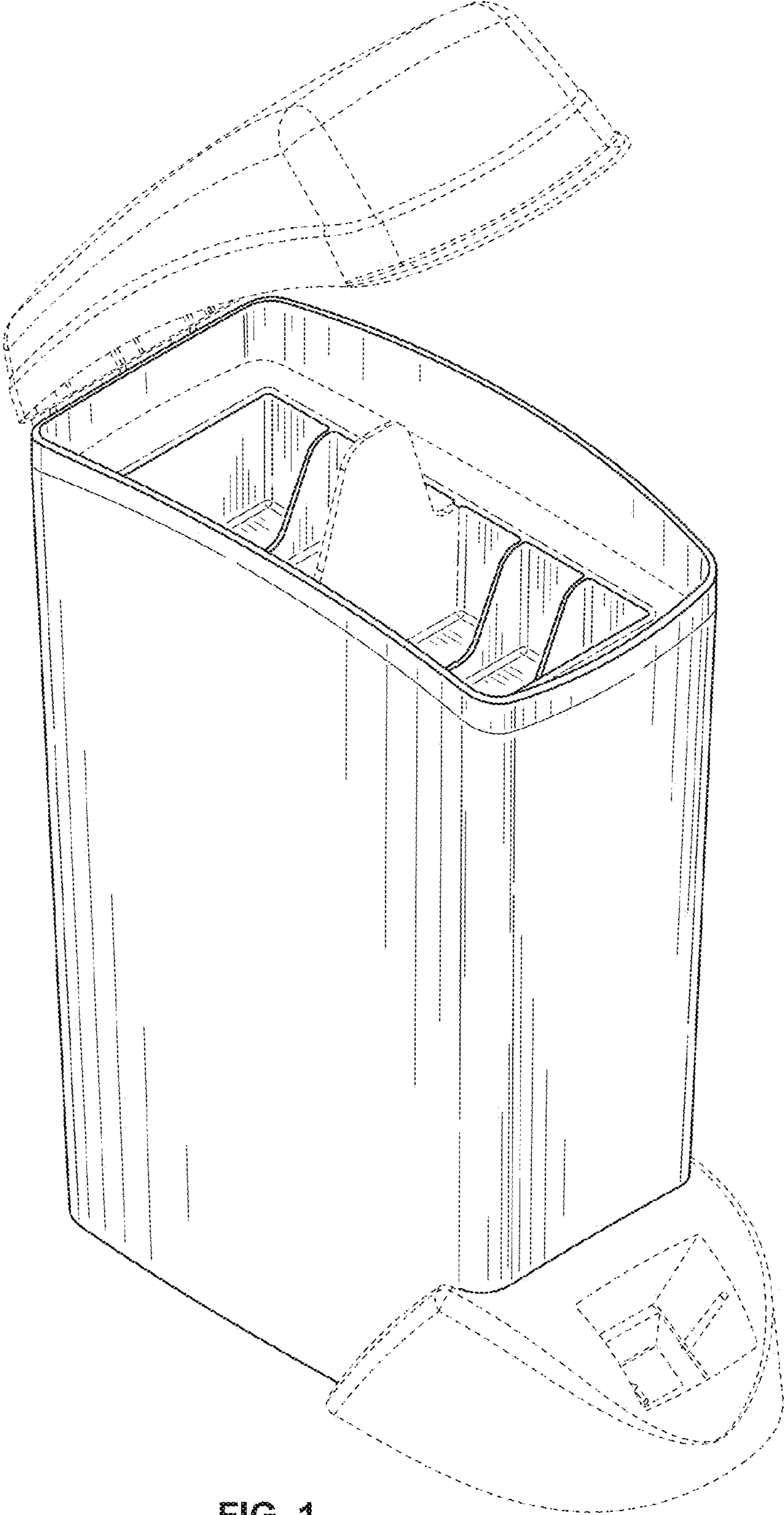


FIG. 1

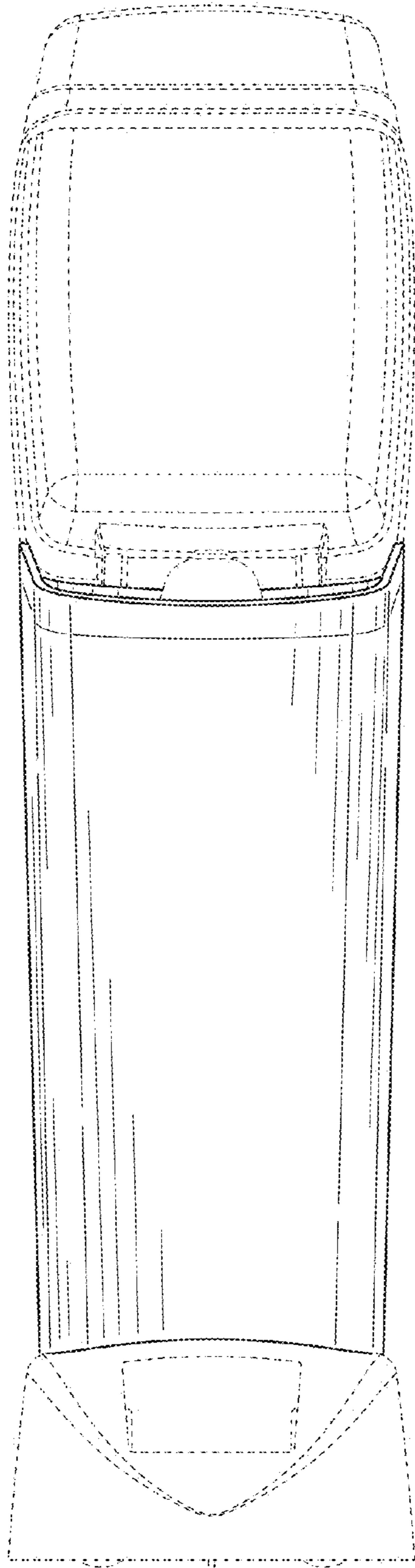


FIG. 2

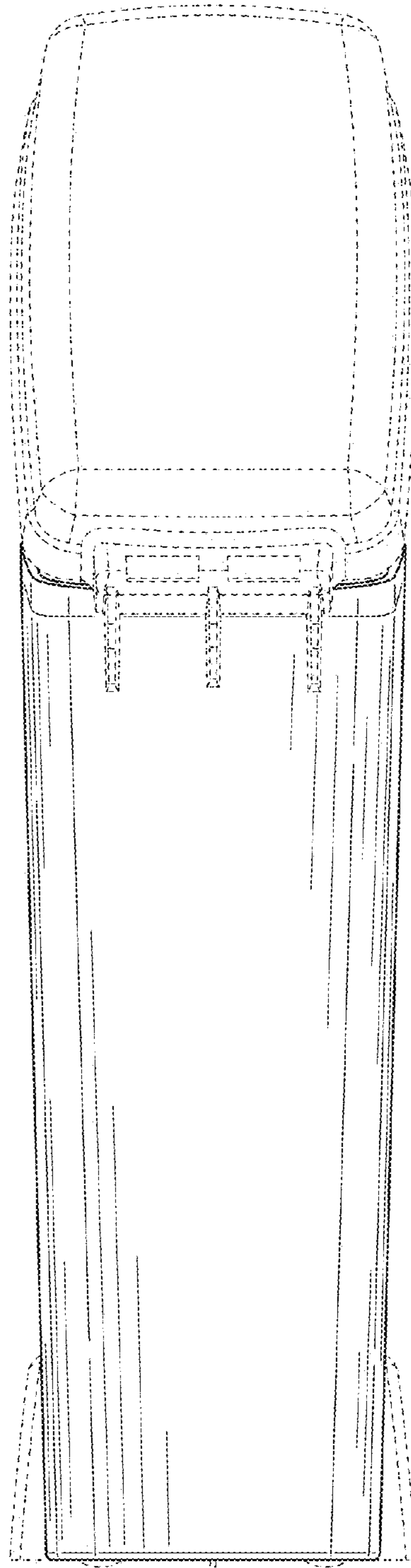


FIG. 3

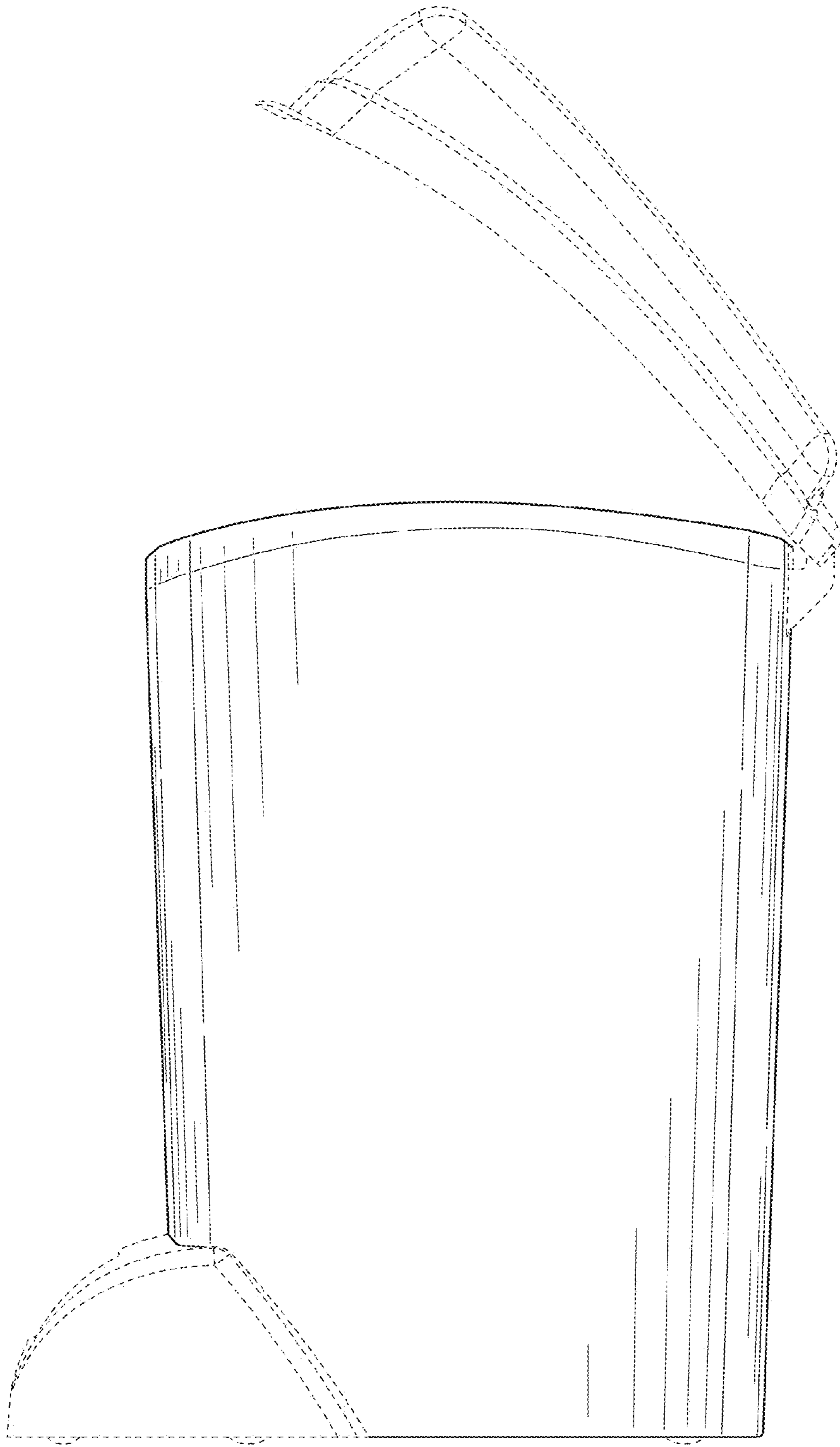


FIG. 4

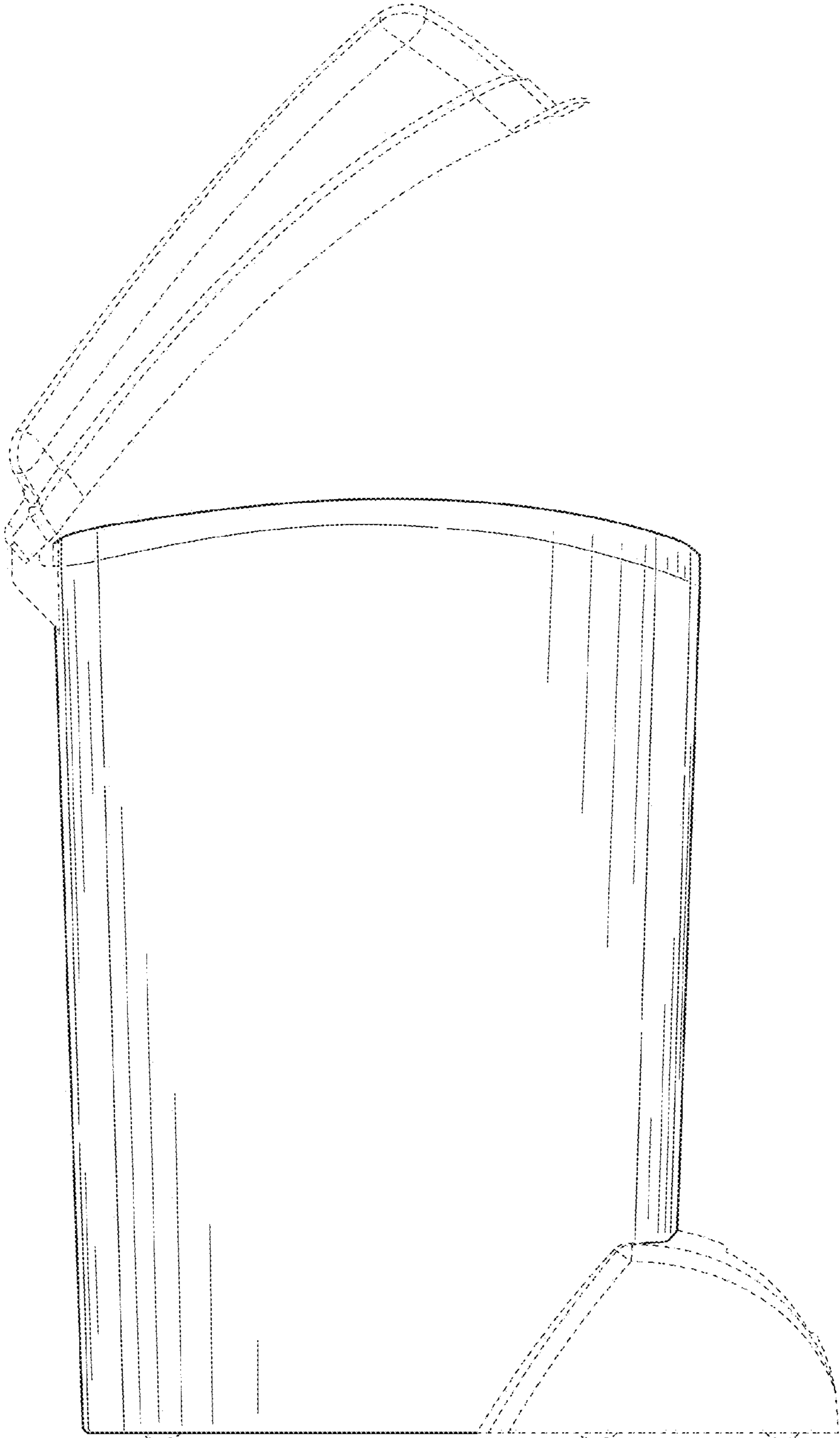


FIG. 5

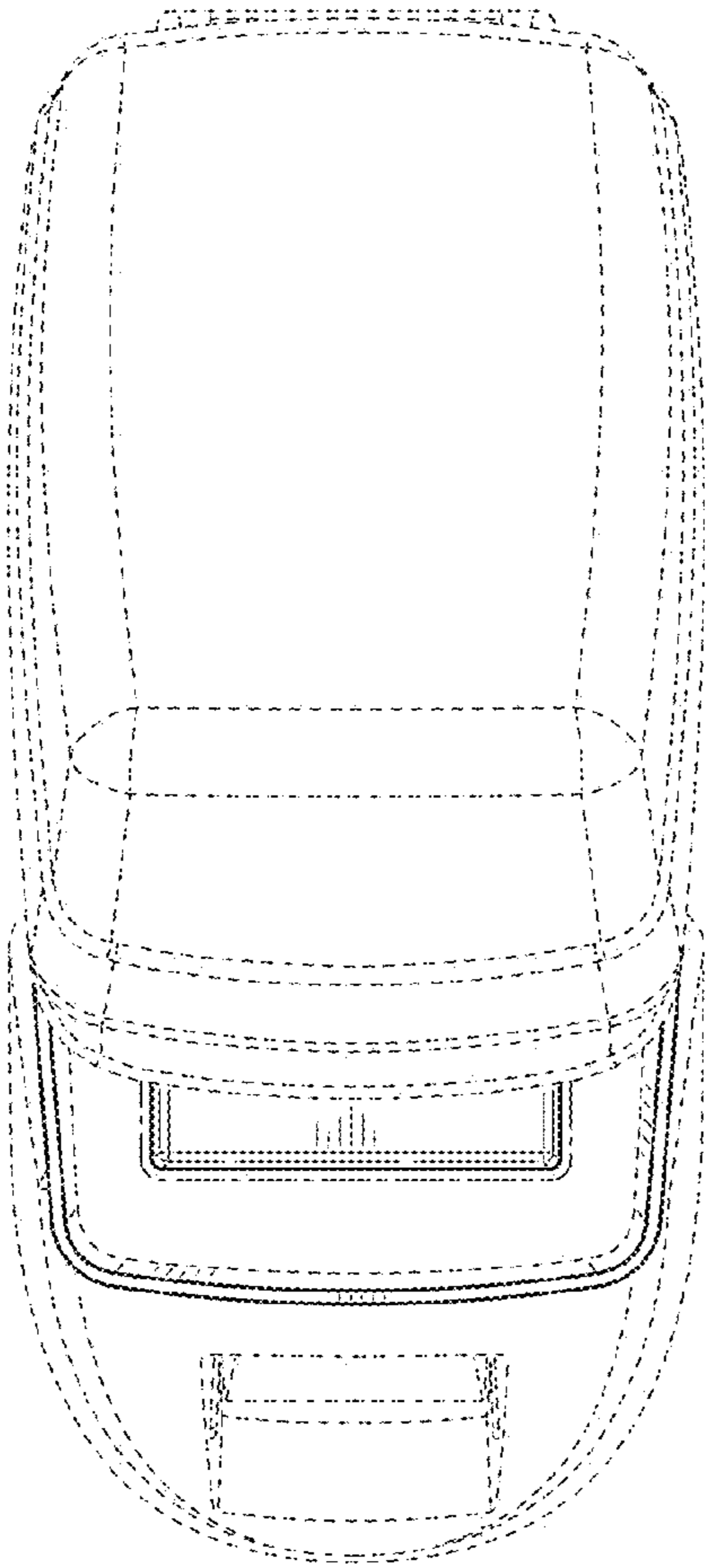


FIG. 6

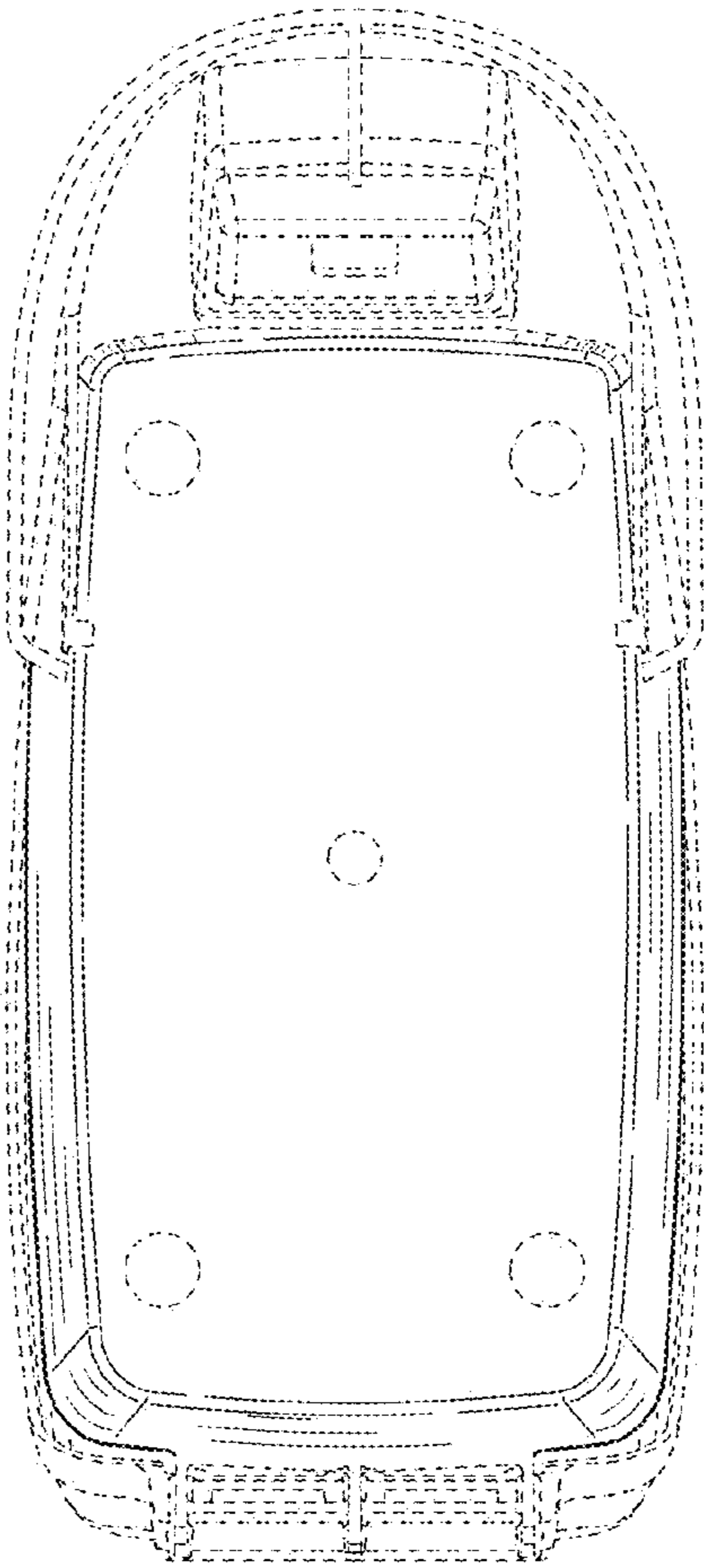


FIG. 7

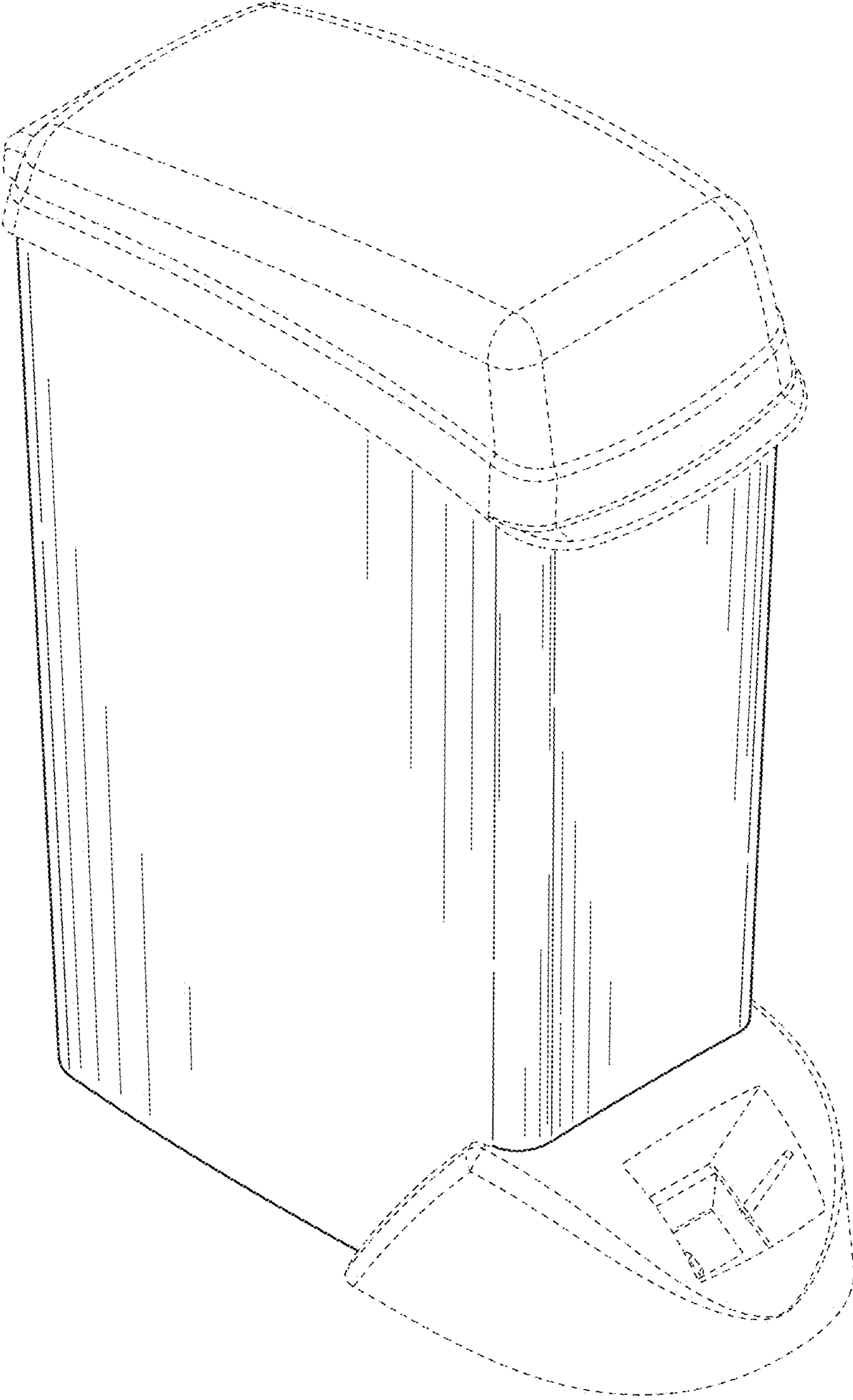


FIG. 8



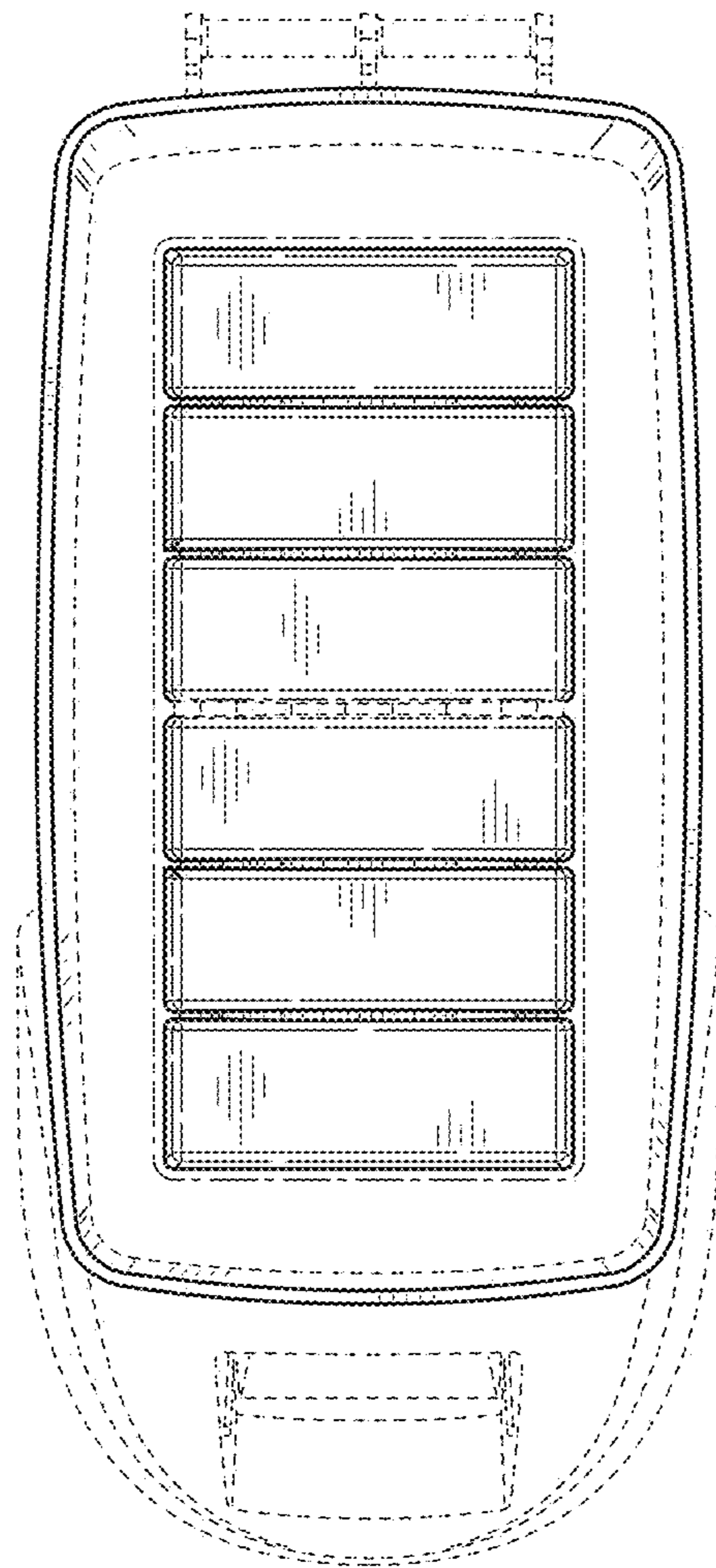


FIG. 9