



US00D715574S

(12) **United States Design Patent**
Wanders

(10) **Patent No.:** **US D715,574 S**
(45) **Date of Patent:** **** Oct. 21, 2014**

(54) **SOFA**
(71) Applicant: **Moooi B.V.**, Breda (NL)
(72) Inventor: **Marcel Wanders**, Amsterdam (NL)
(73) Assignee: **Moooi B.V.**, Breda, ZL (NL)
(**) Term: **14 Years**

D552,871 S * 10/2007 Natuzzi D6/381
D554,387 S * 11/2007 Nicoletti D6/381
D565,858 S * 4/2008 Natuzzi D6/381
D566,981 S * 4/2008 Natuzzi D6/381
D591,072 S * 4/2009 Natuzzi D6/381
D594,670 S * 6/2009 Natuzzi D6/381
D597,761 S * 8/2009 Natuzzi D6/381
D608,106 S * 1/2010 Natuzzi D6/381
D616,663 S * 6/2010 Natuzzi D6/381
D677,491 S * 3/2013 Joly D6/381

* cited by examiner

(21) Appl. No.: **29/468,958**

Primary Examiner — Sandra Snapp

(22) Filed: **Oct. 4, 2013**

(74) *Attorney, Agent, or Firm* — Andrew Rush; PCT Law Group

(30) **Foreign Application Priority Data**

Apr. 4, 2013 (EP) 002214072-0001

(51) **LOC (10) Cl.** **06-01**

(52) **U.S. Cl.**
USPC **D6/381**

(58) **Field of Classification Search**
USPC D6/334, 335, 336, 379, 381; 297/94,
297/118, 232, 445.1, 448.1, DIG. 7
See application file for complete search history.

(57) **CLAIM**
The ornamental design for a sofa, as shown and described.

DESCRIPTION

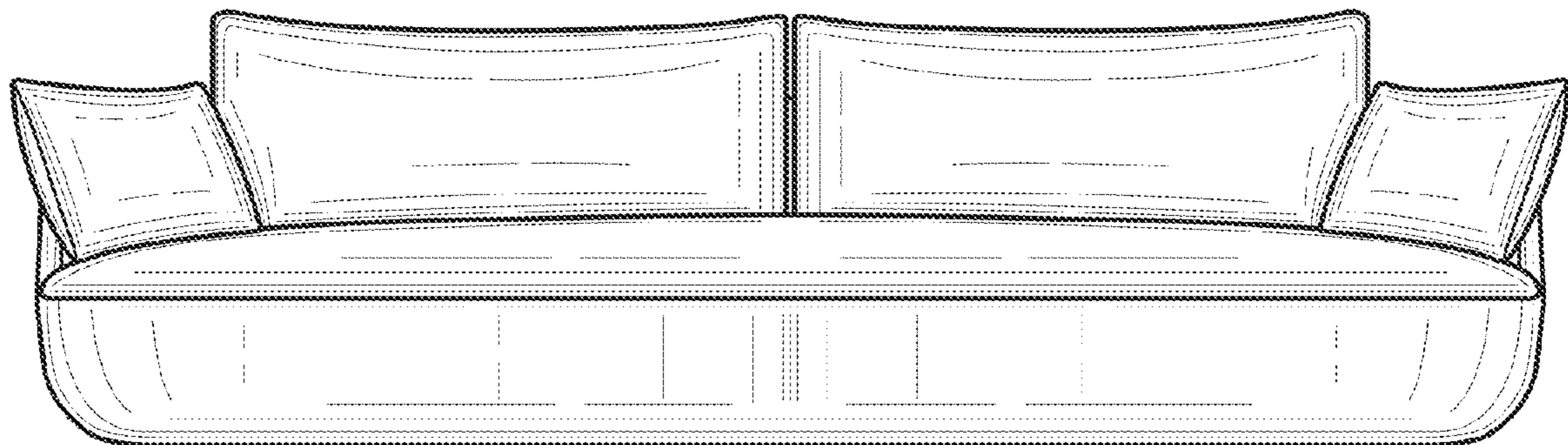
FIG. 1 is a front view of a sofa showing my new design;
FIG. 2 is a top view thereof;
FIG. 3 is a right view thereof;
FIG. 4 is a left side view thereof; and,
FIG. 5 is a rear view thereof.
The structural elements in the figures depicted by means of broken lines have been shown for the purposes of illustrating portions of the sofa which form no part of the claimed design.

(56) **References Cited**

U.S. PATENT DOCUMENTS

D330,811 S * 11/1992 Genova et al. D6/381
D549,482 S * 8/2007 Natuzzi D6/381

1 Claim, 2 Drawing Sheets



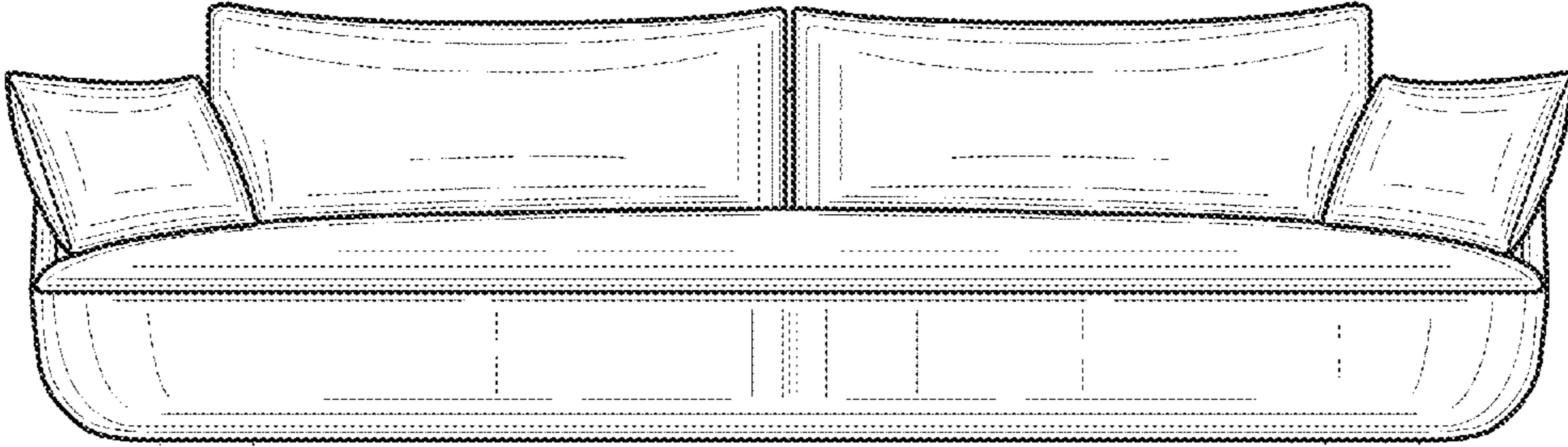


FIG. 1

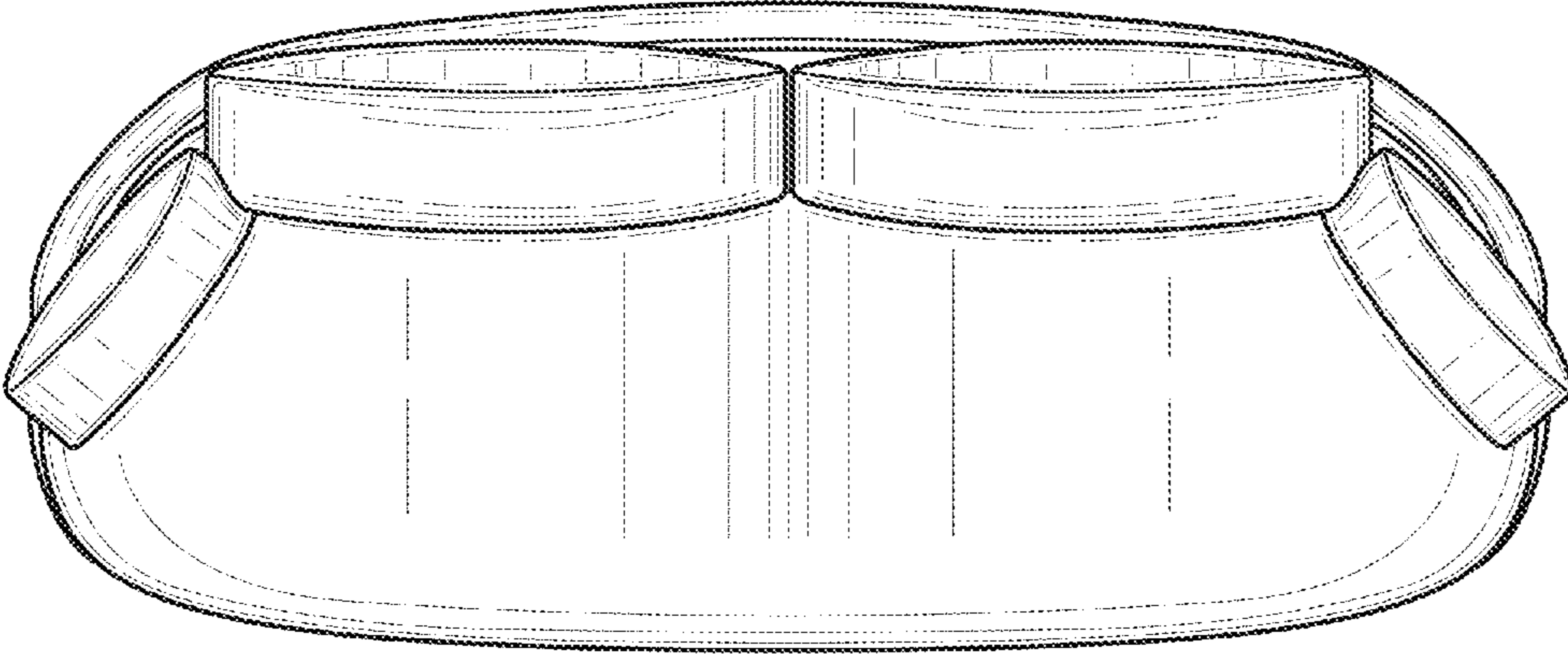


FIG. 2

