



US00D715571S

(12) **United States Design Patent**
Laub et al.

(10) **Patent No.:** **US D715,571 S**

(45) **Date of Patent:** **** *Oct. 21, 2014**

(54) **STACKED CHAIRS**

(71) Applicant: **Brunner GmbH**, Rheinau (DE)

(72) Inventors: **Jürgen Laub**, Stuttgart (DE); **Markus Jehs**, Stuttgart (DE)

(73) Assignee: **Brunner GmbH**, Rheinau (DE)

(*) Notice: This patent is subject to a terminal disclaimer.

(**) Term: **14 Years**

(21) Appl. No.: **29/445,600**

(22) Filed: **Feb. 13, 2013**

(51) **LOC (10) Cl.** **06-01**

(52) **U.S. Cl.**
USPC **D6/375**

(58) **Field of Classification Search**
CPC A47C 3/04; A47C 1/124; A47C 3/16;
A47C 3/12; A47C 7/40; A47C 4/02
USPC D6/334-336, 371-373, 374, 375, 376,
D6/379, 380, 716, 716.1, 716.2, 716.3,
D6/716.4; 297/239, 248, 249, 445.1,
297/446.1, 452.12, 452.14, 452.19, 452.29,
297/DIG. 2

See application file for complete search history.

(56) **References Cited**

U.S. PATENT DOCUMENTS

D177,269 S * 3/1956 McKinkley et al. D6/375
2,990,876 A * 7/1961 Brook 297/452.12
3,025,105 A * 3/1962 Nash 297/248

3,031,227 A * 4/1962 Van Buren, Jr. 297/239
3,084,977 A * 4/1963 Chapman 297/239
3,111,344 A * 11/1963 Hoven et al. 297/DIG. 2
3,183,034 A * 5/1965 Midyette, Jr. 297/239
D236,670 S * 9/1975 Uyeda D6/375
4,386,804 A * 6/1983 Ware et al. 297/248
4,400,031 A * 8/1983 DeDecker 297/239
5,860,697 A * 1/1999 Fewchuk 297/DIG. 2
6,338,528 B1 * 1/2002 Lohness et al. 297/248
6,406,094 B2 * 6/2002 Lohness et al. 297/249
D600,035 S * 9/2009 Olano Jauregui D6/375
D663,132 S * 7/2012 Morrison D6/375
D665,593 S * 8/2012 Morrison D6/375
2005/0012369 A1 * 1/2005 Mendenhall et al. 297/239

* cited by examiner

Primary Examiner — Mimoso De

(74) *Attorney, Agent, or Firm* — Henry M. Feiereisen LLC;
Ursula B. Day

(57) **CLAIM**

The ornamental design for stacked chairs, as shown and described.

DESCRIPTION

FIG. 1 is a front and left side perspective view of a first embodiment of stacked chairs showing my new design;
FIG. 2 is a right side elevational view thereof;
FIG. 3 is a rear elevational view thereof;
FIG. 4 is a front and left side perspective view of another embodiment of my new design showing chairs each without an arm rest;
FIG. 5 is a right side elevational view of another embodiment of the chairs in FIG. 4; and,
FIG. 6 is a rear elevational view thereof.

1 Claim, 6 Drawing Sheets



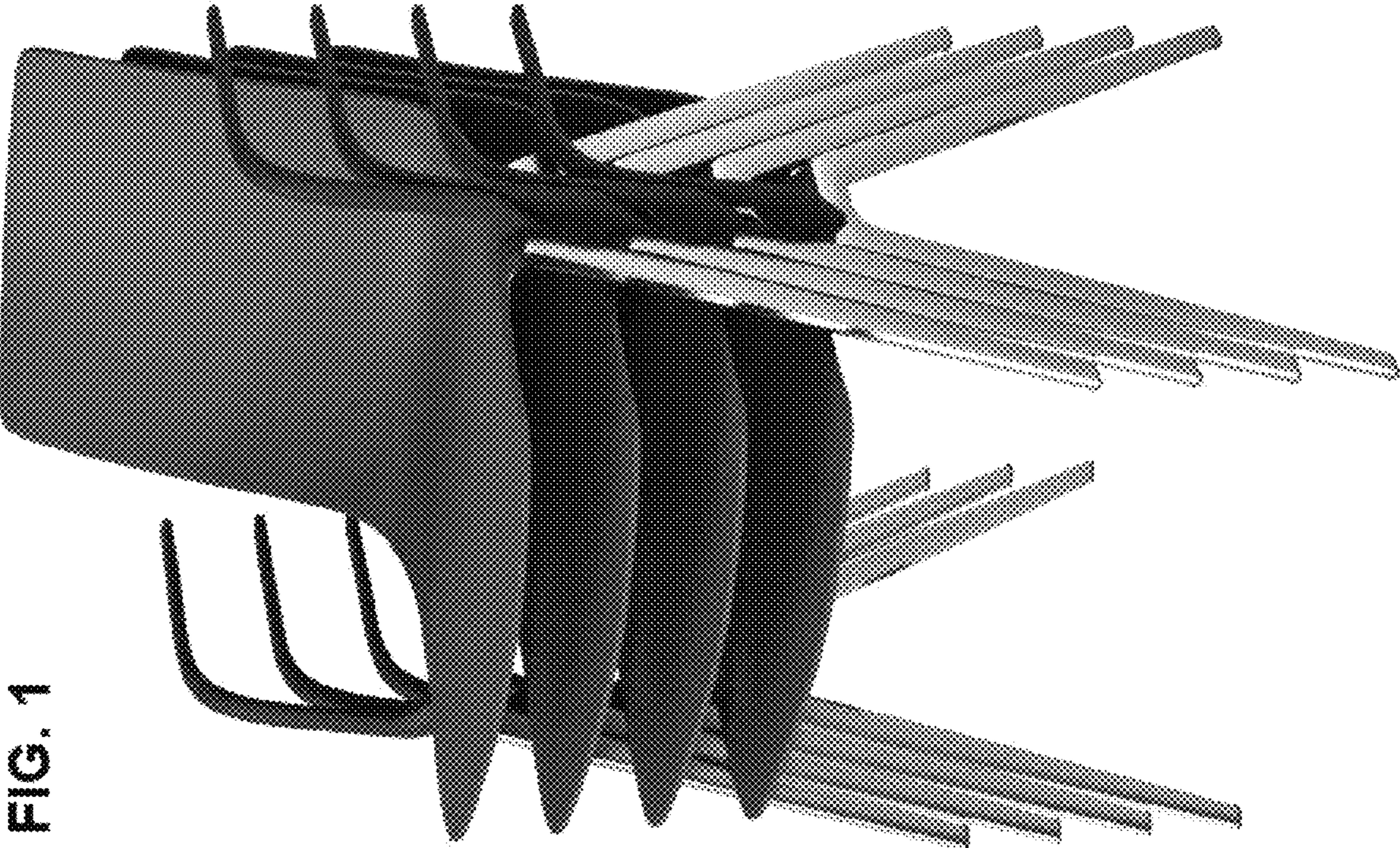


FIG. 1

FIG. 2

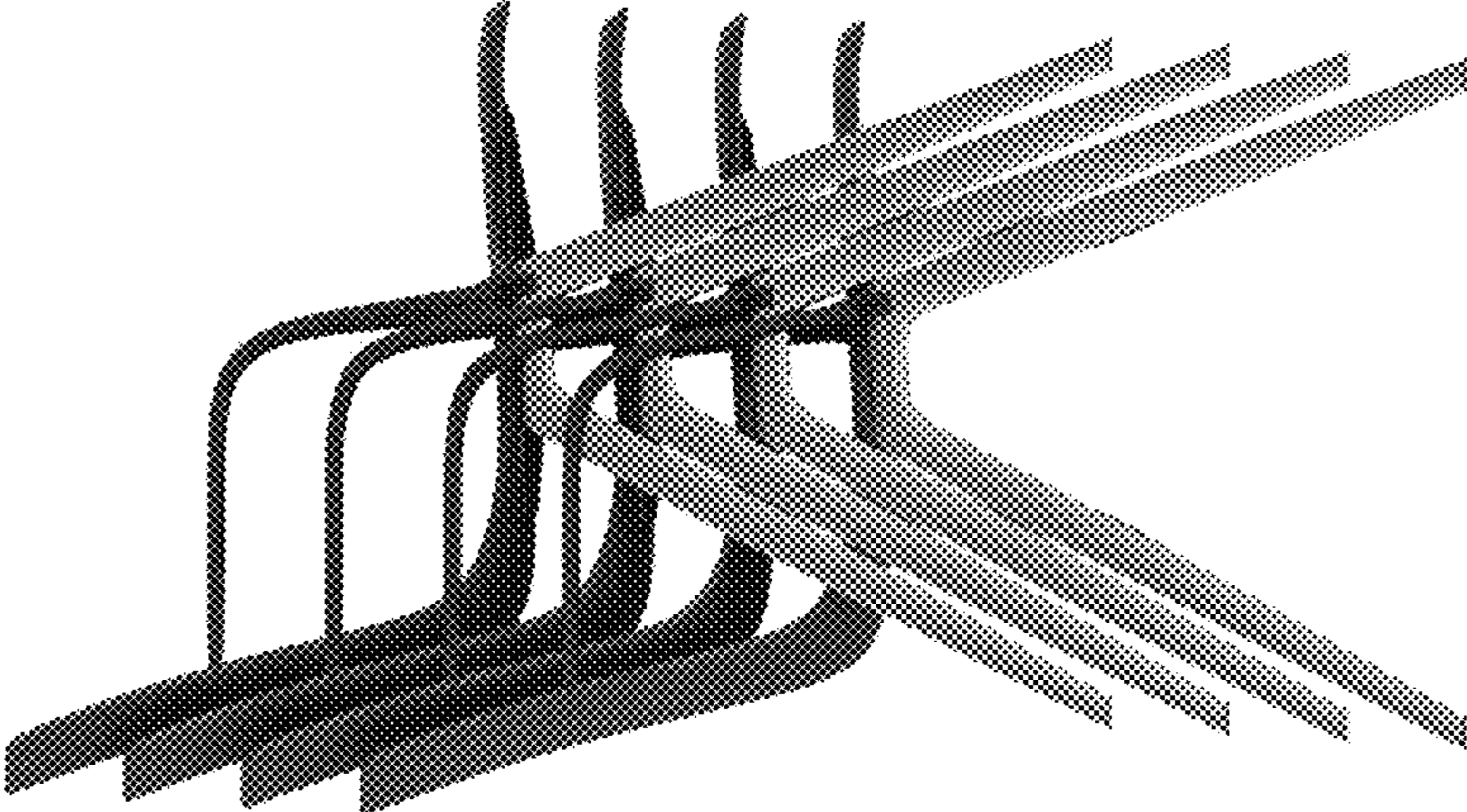
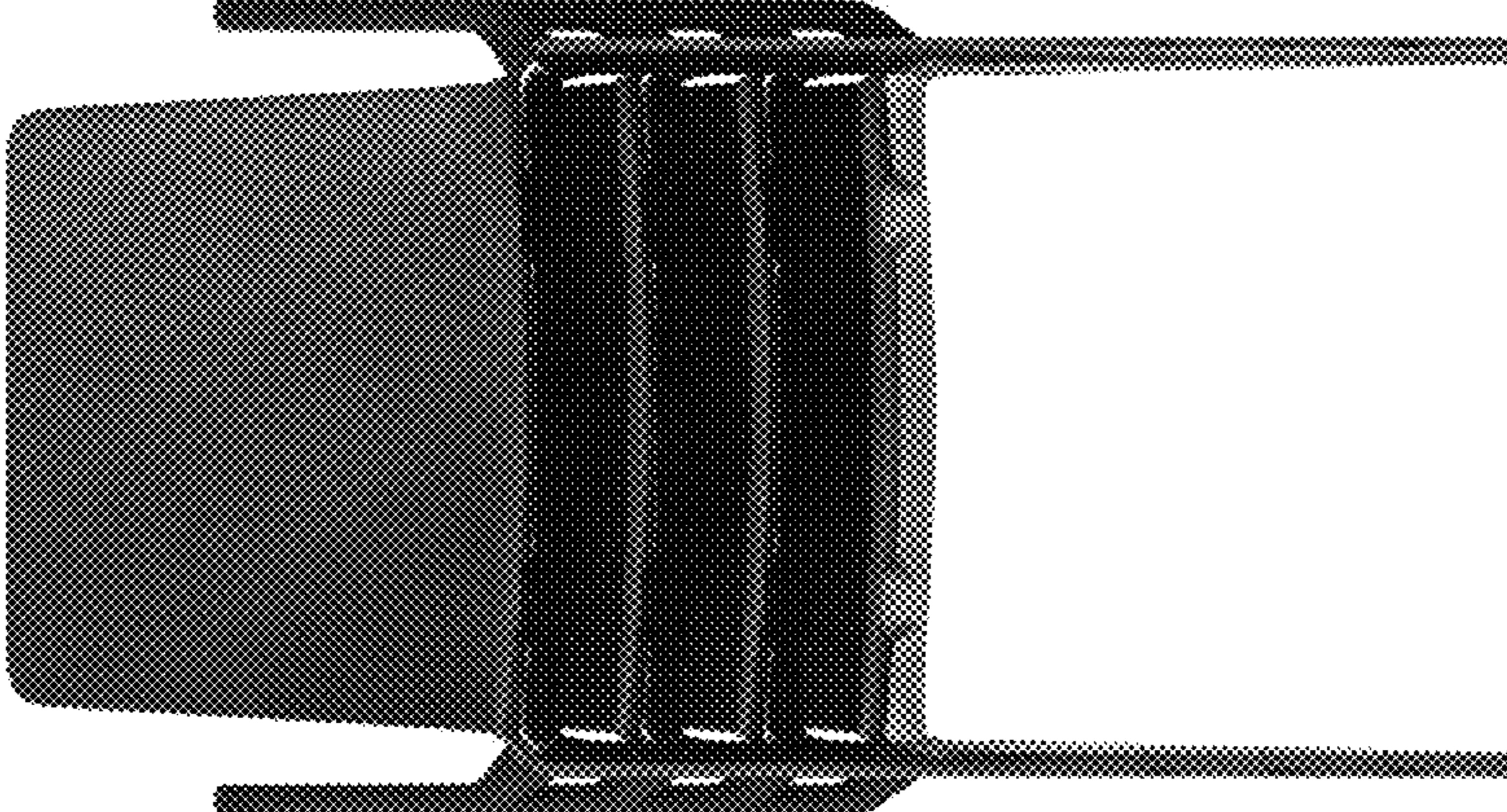


FIG. 3



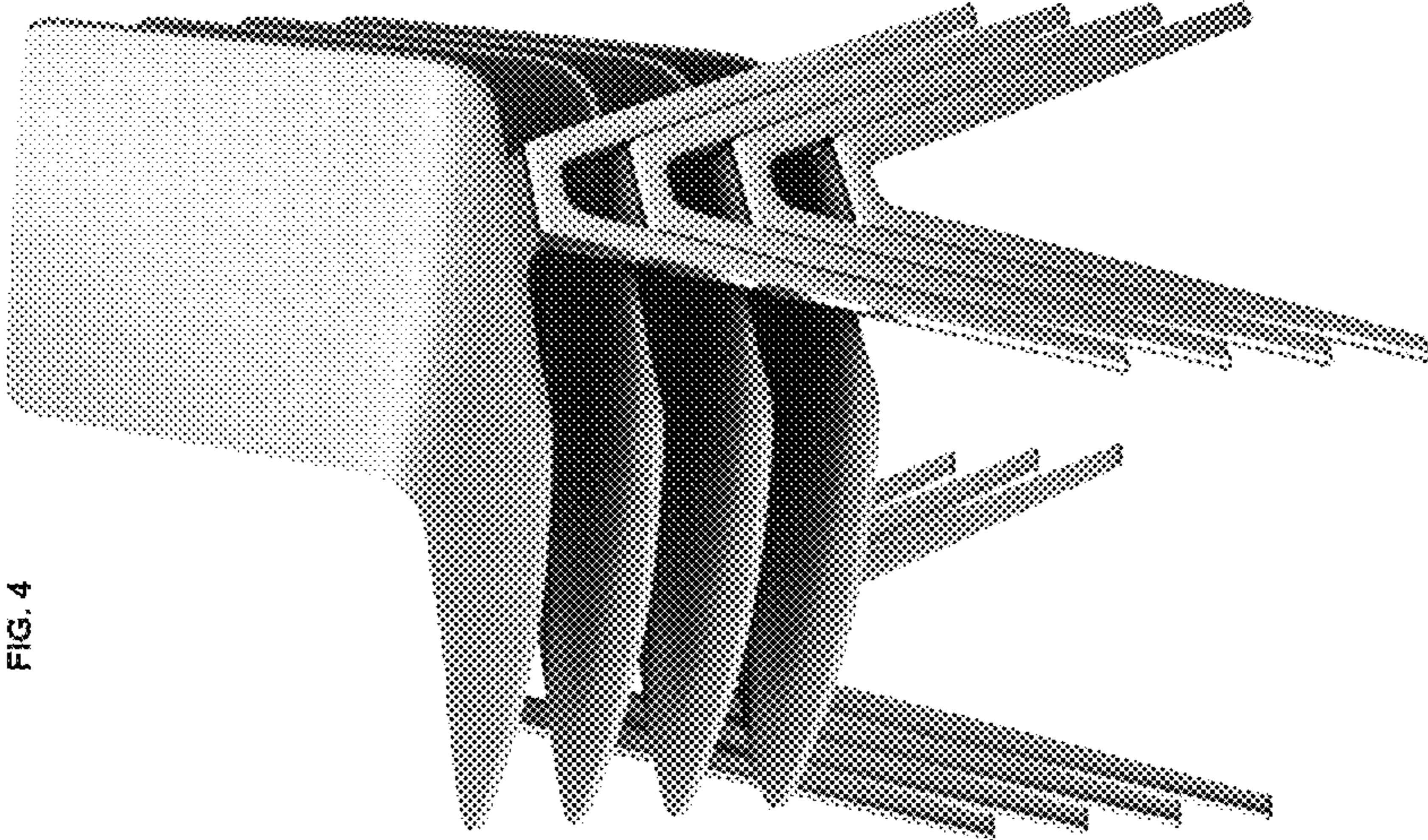


FIG. 4

FIG. 5

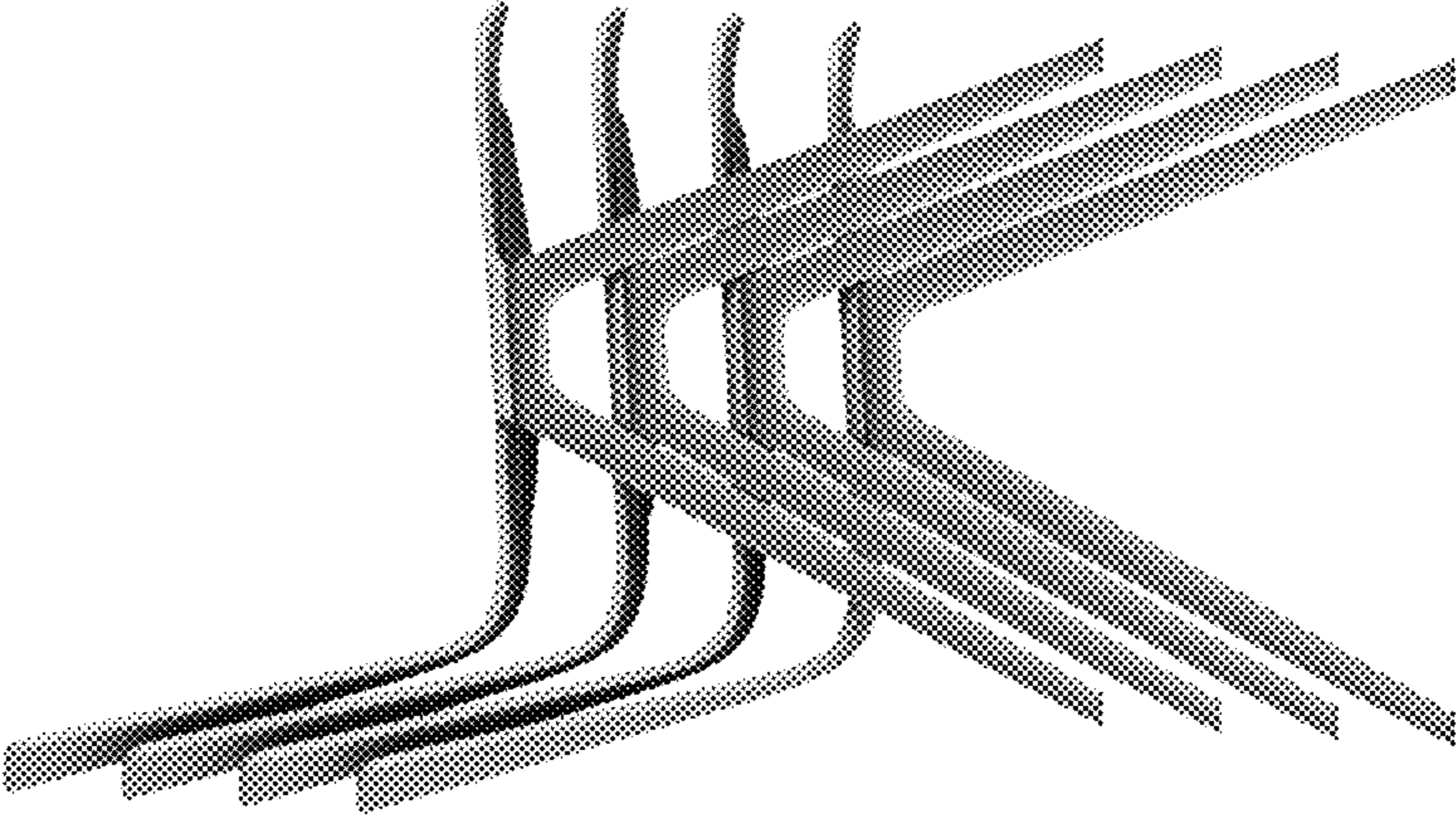


FIG. 6

