



US00D715567S

(12) **United States Design Patent**
Lensing

(10) **Patent No.:** **US D715,567 S**

(45) **Date of Patent:** **** Oct. 21, 2014**

(54) **TRACTOR SEAT STOOL**

(71) Applicant: **Patrick Lensing**, Van Buren, AR (US)

(72) Inventor: **Patrick Lensing**, Van Buren, AR (US)

(**) Term: **14 Years**

(21) Appl. No.: **29/449,142**

(22) Filed: **Mar. 14, 2013**

(51) **LOC (10) Cl.** **06-01**

(52) **U.S. Cl.**
USPC **D6/349; D6/353**

(58) **Field of Classification Search**

CPC A47C 1/14; A47C 3/16-3/20; A47C 4/00;
A47C 4/28; A47C 5/02; A47C 7/02; A47C
9/00; A47C 9/02; A47C 9/002; A47C 9/007;
A47C 9/025; A47C 11/00; A47C 12/00;
A47C 13/00; A47C 16/02
USPC D6/335, 340, 344, 347, 349-355, 358,
D6/360, 363-373, 381, 685, 687, 688, 690,
D6/691-691.6, 692, 692.4, 694, 703.15,
D6/708.21, 708.22, 709.22, 716-716.7,
D6/717

See application file for complete search history.

(56) **References Cited**

U.S. PATENT DOCUMENTS

D34,004 S * 1/1901 Dennis D6/354
D213,870 S * 4/1969 Hamilton D6/333
D248,810 S * 8/1978 Day D6/375
D417,087 S * 11/1999 Pellegrom D6/360
D477,718 S * 7/2003 Vail D6/335

OTHER PUBLICATIONS

K&M Manufacturing Tractor Stool. [online] Retrieved Jun. 10, 2014
from URL: <http://www.northerntool.com/shop/tools/product_200510944_200510944>.*

IMAX Leroy 29.5" Barstool [online] Retrieved Jun. 10, 2014 from
URL: <<http://www.wayfair.com/IMAX-Leroy-29.5-Barstool-10781-IMX9560.html>>.*

Folding Stool with Handle. [online] Retrieved Jun. 10, 2014 from
URL: <[http://www.courts.com.sg/Products/PID-IP070271\(Courts\)/Furniture/Chairs-and-Stools/FOLDING-STOOL-WITH-HANDLE-FUSCHIA-TRIO](http://www.courts.com.sg/Products/PID-IP070271(Courts)/Furniture/Chairs-and-Stools/FOLDING-STOOL-WITH-HANDLE-FUSCHIA-TRIO)>.*

Folding single stool. [online] Retrieved Jun. 10, 2014 from URL:
<<http://yuzhongindustry.wholesale.chinaqualitycrafts.com/iz5fc908b-folding-single-stool-easy-handing-folding-stool-bar-stool-high-pressure-stool-images.html>>.*

* cited by examiner

Primary Examiner — Susan Bennett Hattan

Assistant Examiner — Vy Koenig

(74) *Attorney, Agent, or Firm* — Keisling & Pieper PLC;
Trent C. Keisling

(57) **CLAIM**

The ornamental design for a tractor seat stool, as shown and
described.

DESCRIPTION

FIG. 1 is a perspective view of a tractor seat stool showing my
new design;

FIG. 2 is front elevational view thereof;

FIG. 3 is a left side elevational view, with the opposite side
being a mirror image thereof;

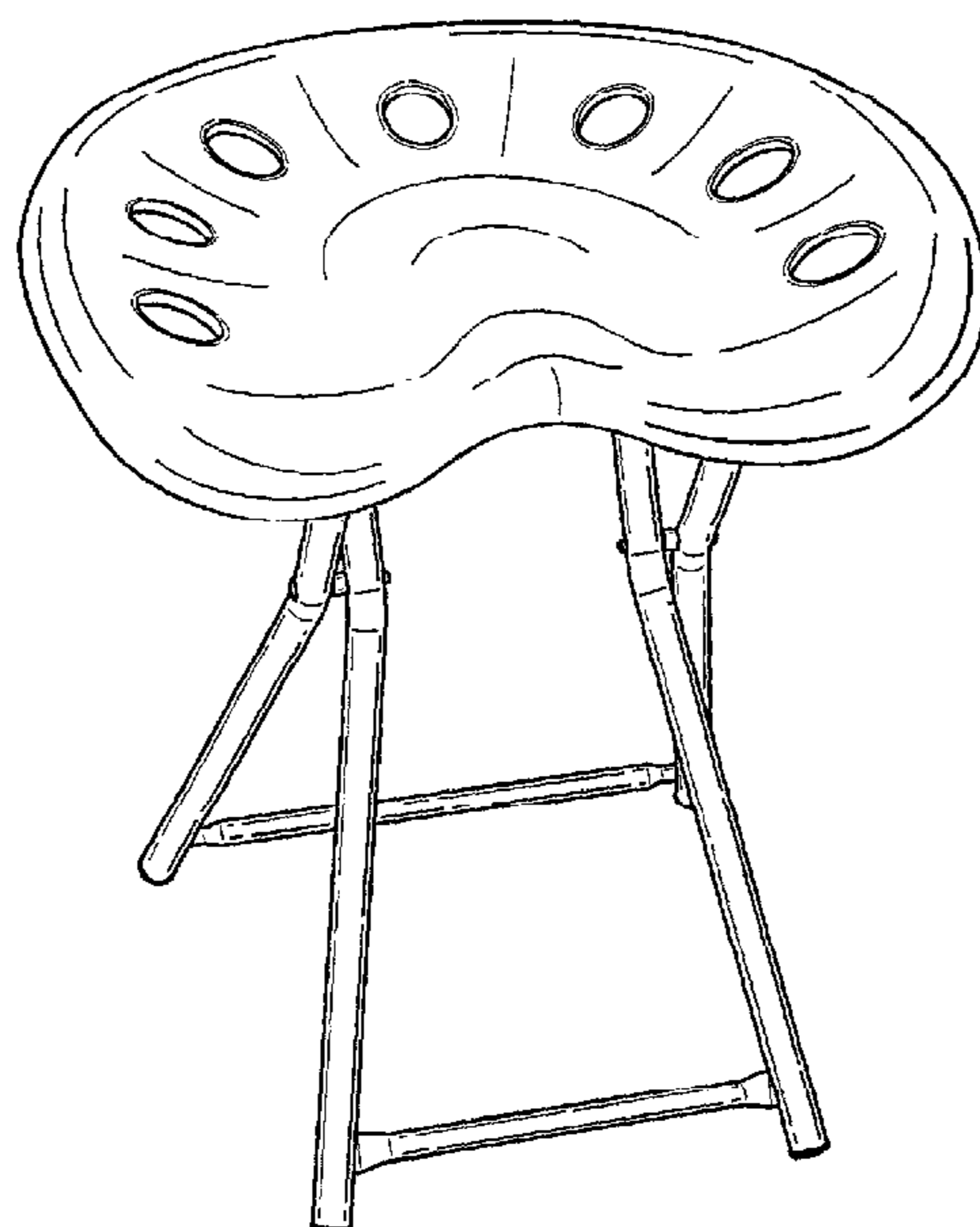
FIG. 4 is a back elevational view thereof;

FIG. 5 is a top plan view thereof; and,

FIG. 6 is a bottom plan view thereof.

The broken lines shown in FIG. 6 depict environmental fea-
tures that form no part of the claimed design.

1 Claim, 3 Drawing Sheets



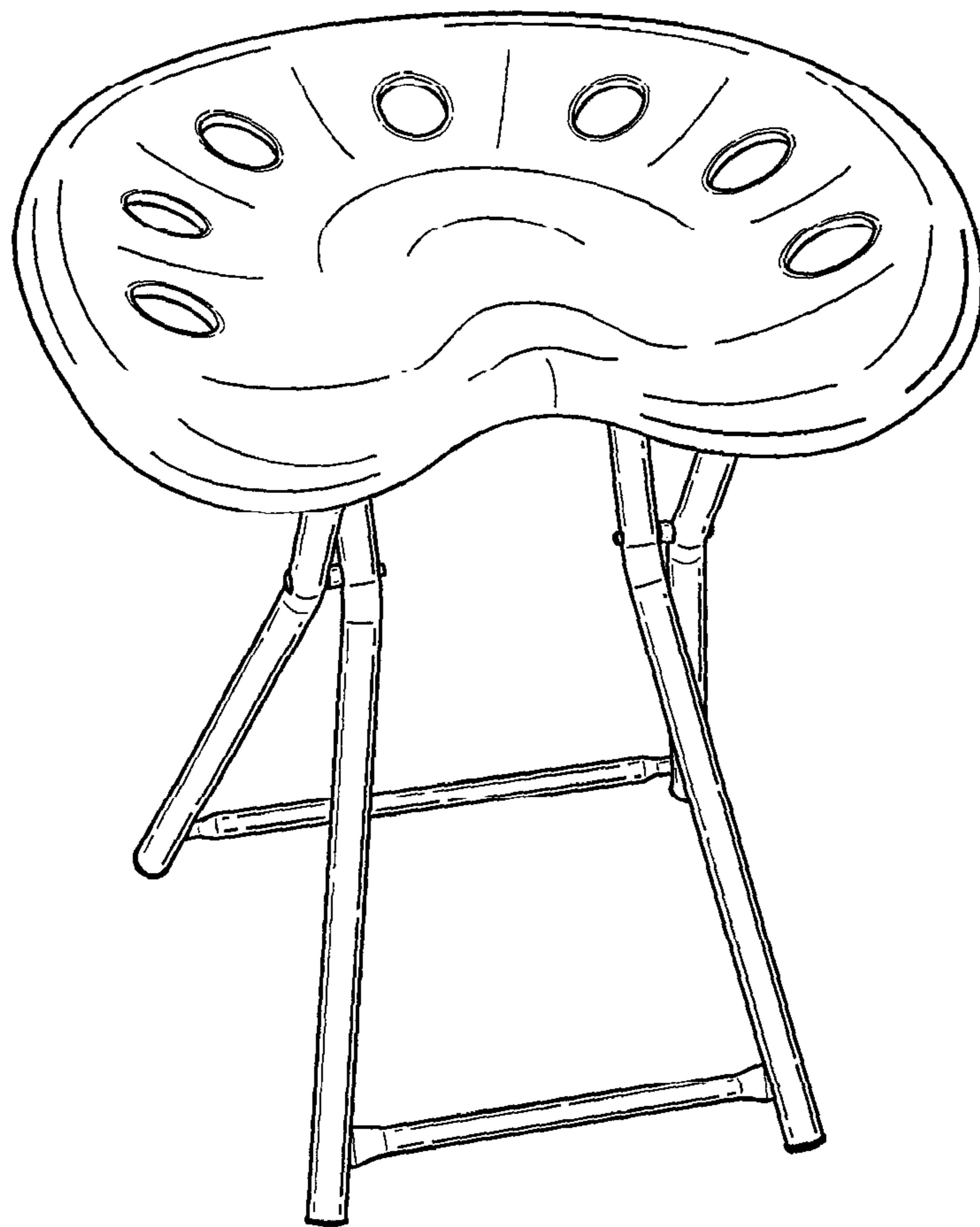


FIG. 1

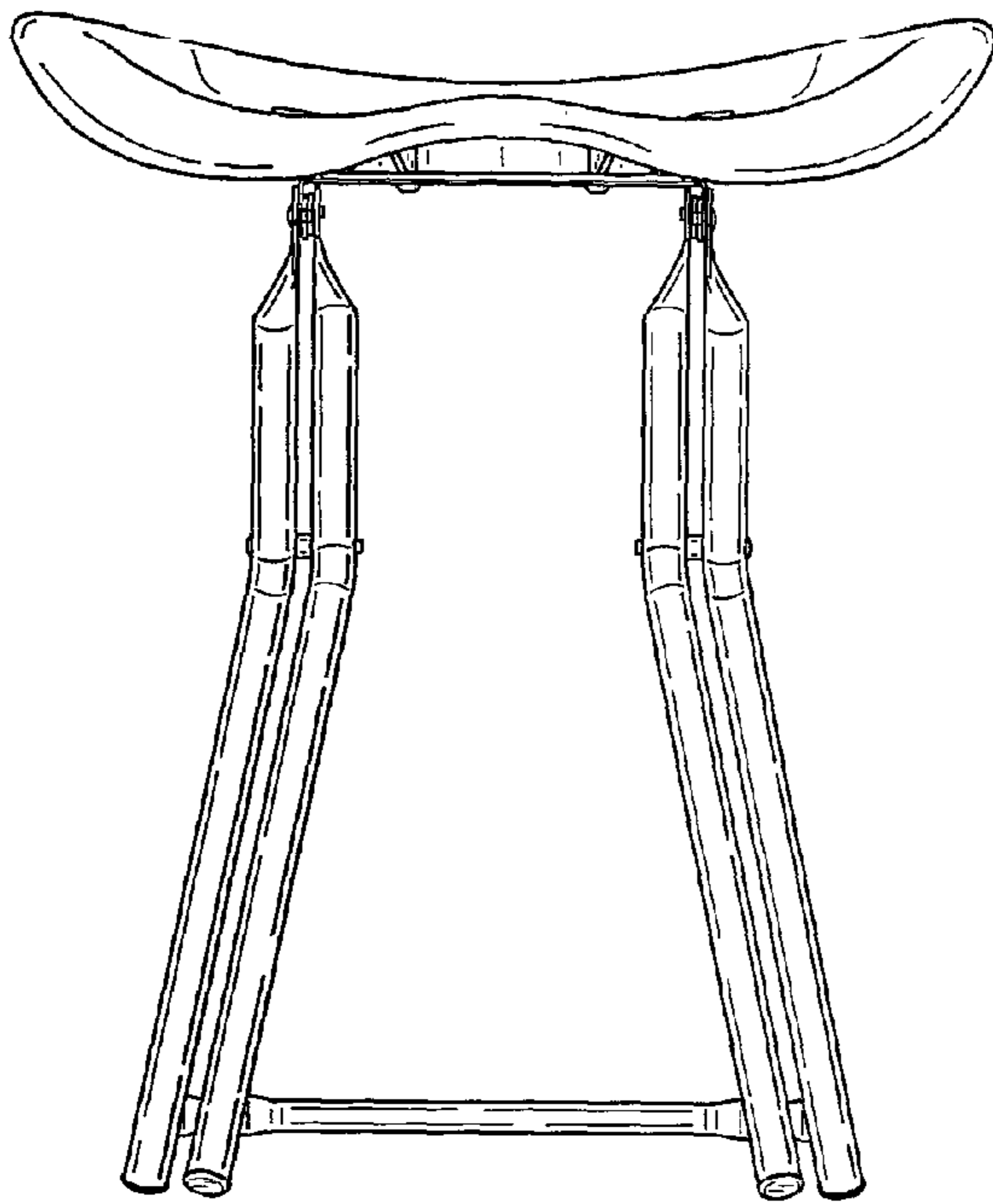


FIG. 2

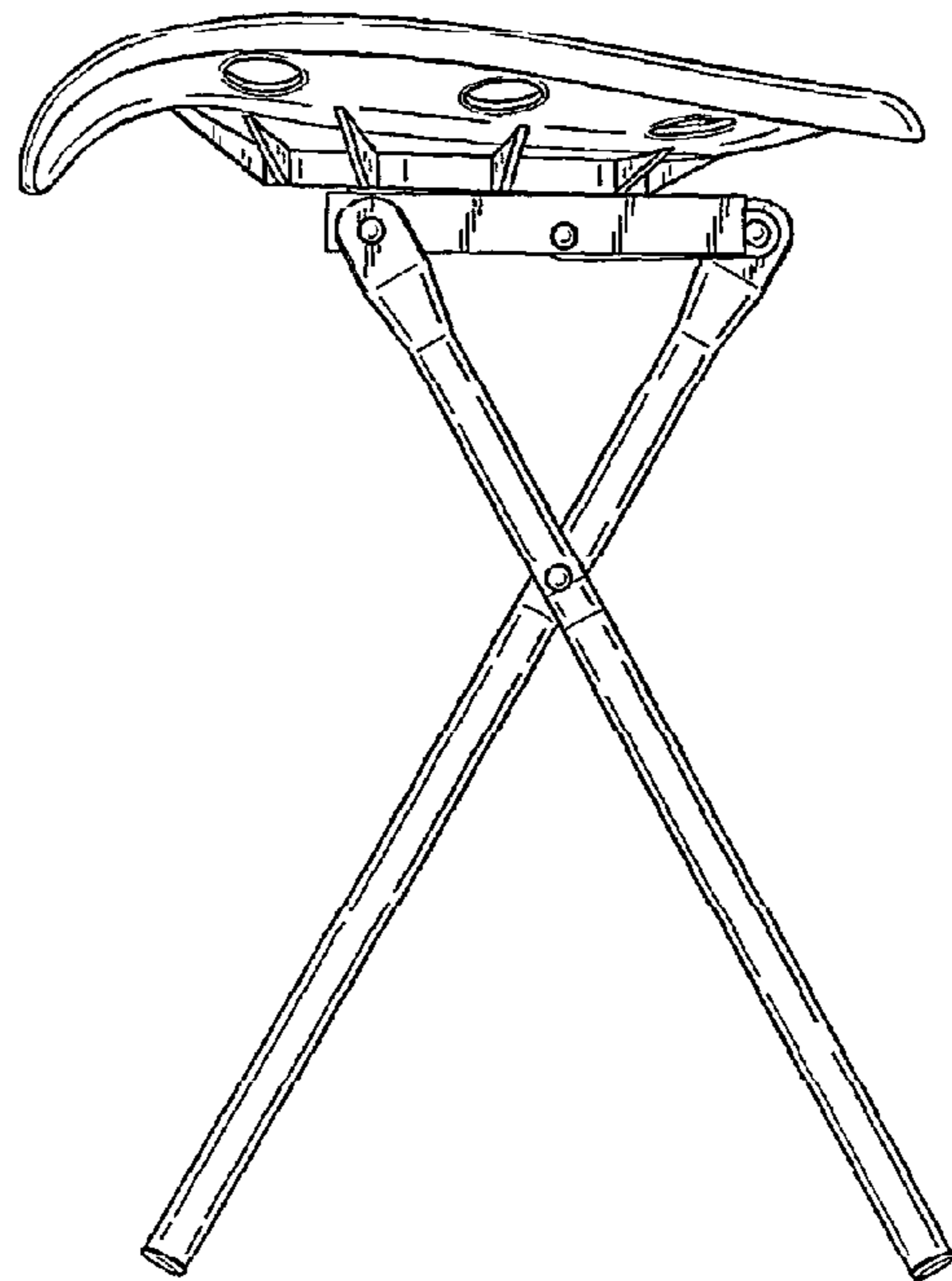


FIG. 3

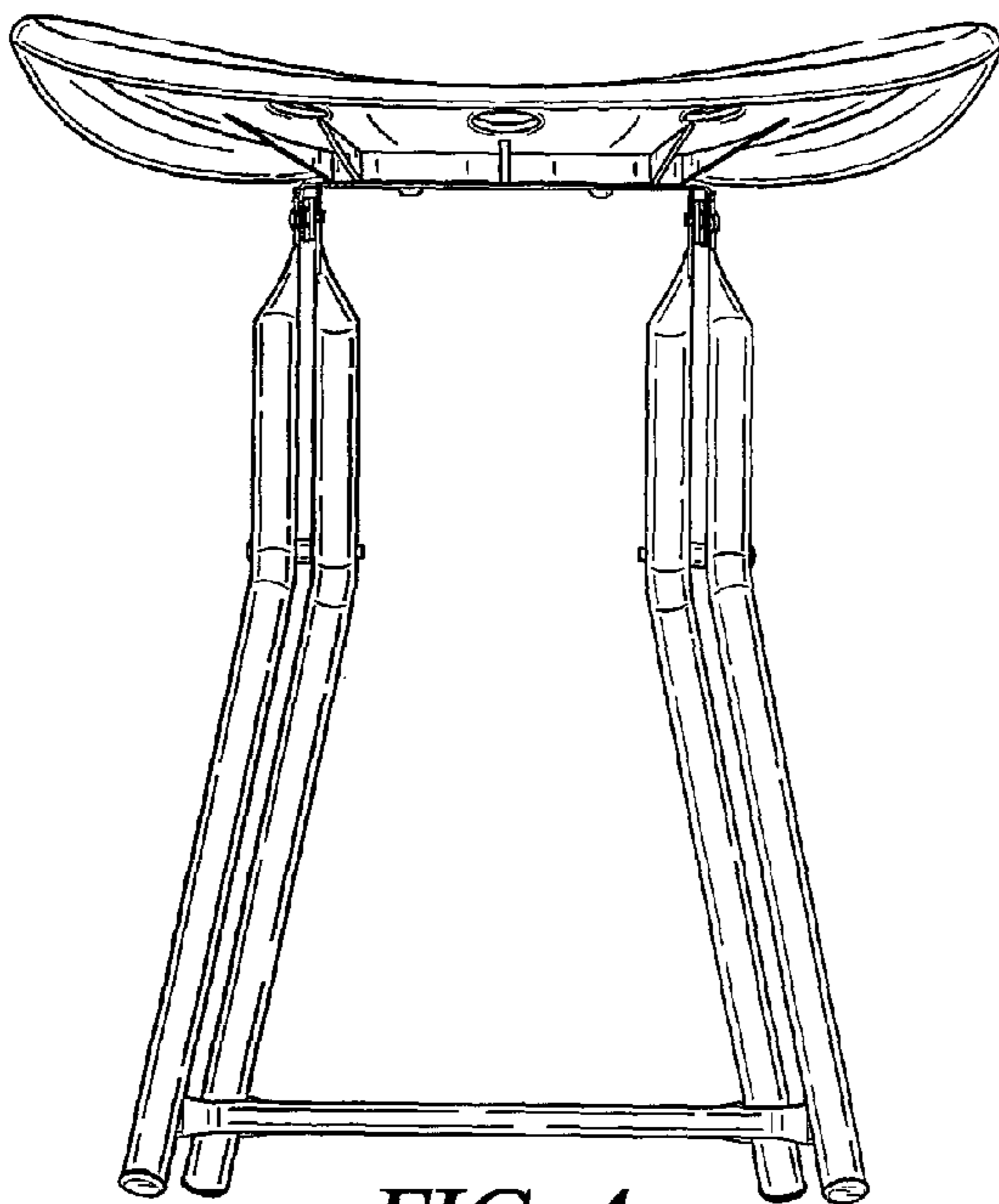


FIG. 4

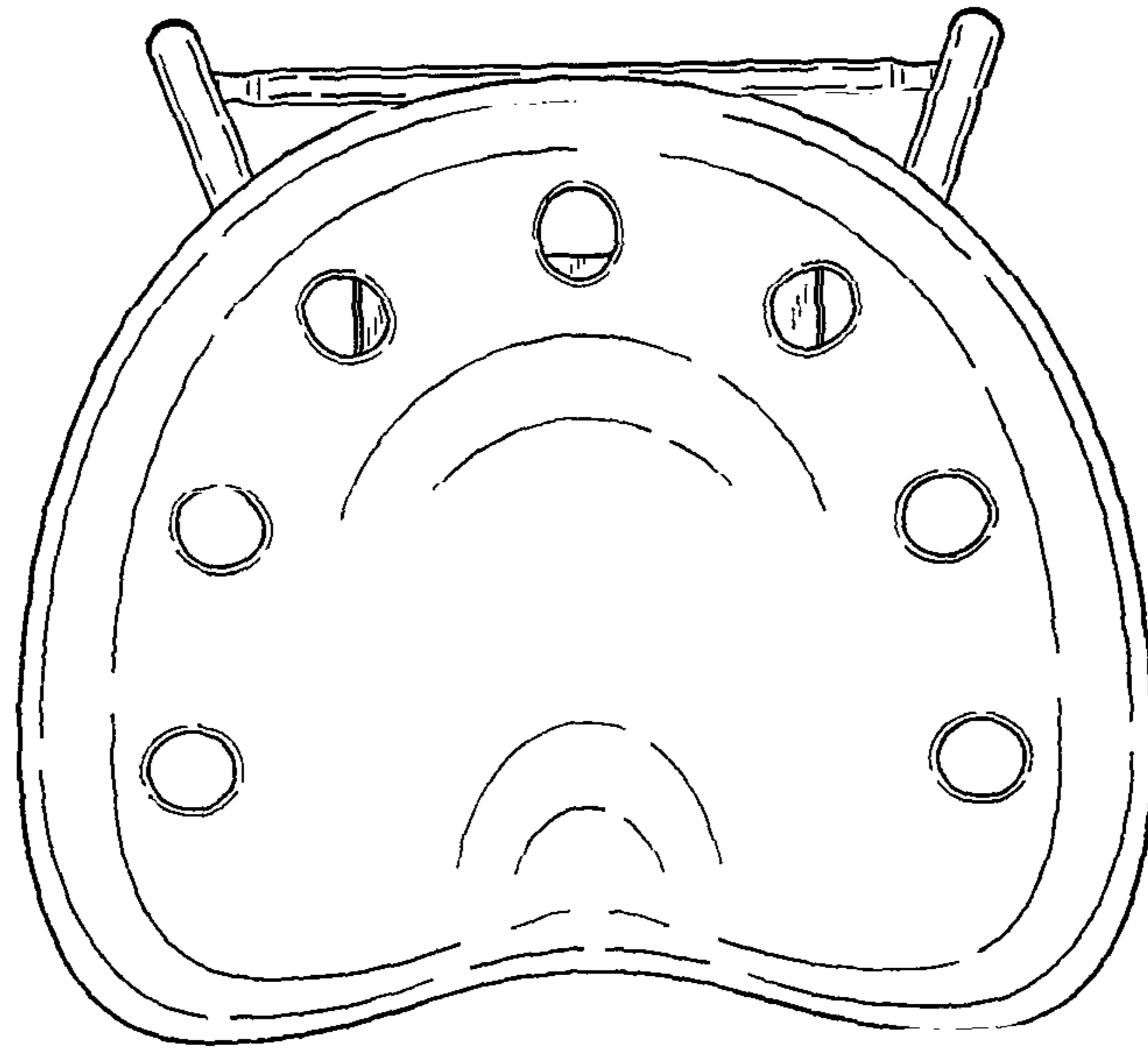


FIG. 5

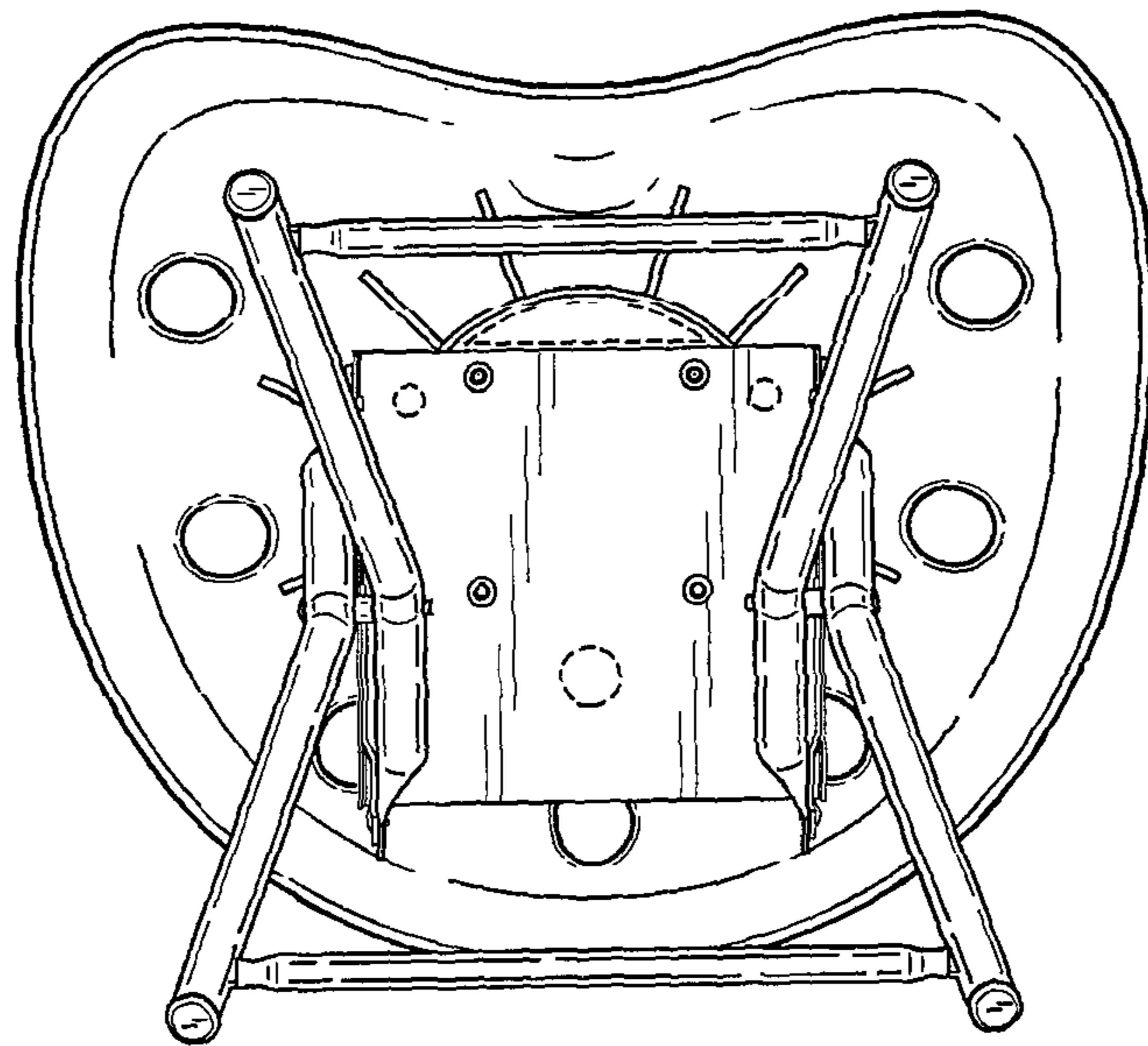


FIG. 6