



US00D71555S

(12) **United States Design Patent**  
**Hosler et al.**

(10) **Patent No.:** **US D715,555 S**  
(45) **Date of Patent:** **\*\* Oct. 21, 2014**

(54) **COMBINED POWERED BRUSH HANDLE,  
BRUSH HEAD, AND CHARGER**

(71) Applicant: **L'Oreal USA Creative, Inc.**, New York,  
NY (US)

(72) Inventors: **Travis J. Hosler**, Seattle, WA (US);  
**Kenneth A. Pilcher**, Seattle, WA (US);  
**Richard A. Reishus**, Renton, WA (US);  
**Suk P. Wong**, Sammamish, WA (US)

(73) Assignee: **L'Oreal USA Creative, Inc.**, New York,  
NY (US)

(\*\*) Term: **14 Years**

(21) Appl. No.: **29/465,494**

(22) Filed: **Aug. 28, 2013**

(51) **LOC (10) Cl.** ..... **04-02**

(52) **U.S. Cl.**

USPC ..... **D4/102; D4/127**

(58) **Field of Classification Search**

CPC ..... A46B 3/00; A46B 3/02; A46B 5/0095;  
A46B 7/00; A46B 7/06; A46B 7/08; A46B  
9/00; A46B 9/02; A46B 9/026; A46B 9/028;  
A46B 13/00; A46B 13/008; A46B 13/02;  
A46B 13/023; A46B 13/026; A46B 13/04;  
A46B 13/08; A47K 7/04; A47L 23/06;  
A61H 7/003; A61H 7/004; A61H 7/005;  
H02J 7/00; H02J 7/0042; H02J 7/0044;  
H02J 7/02; H01M 2/1022

USPC ..... D4/100-102, 127; D28/7, 57, 58, 63;  
601/114; 15/22.1, 28, 29, 176.1, 176.4,  
15/176.5, 180, 207.2, 197, 198, 200;  
D24/146, 211, 214, 215; D13/108;  
320/111, 114

See application file for complete search history.

(56) **References Cited**

**U.S. PATENT DOCUMENTS**

D335,934 S 5/1993 Howard  
D403,055 S 12/1998 Nguyen

(Continued)

**FOREIGN PATENT DOCUMENTS**

CN 301943741 S \* 5/2012  
CN 302283515 S \* 1/2013

(Continued)

*Primary Examiner* — Melanie H Tung  
*Assistant Examiner* — Lavone D Tabor

(74) *Attorney, Agent, or Firm* — Christensen O'Connor  
Johnson Kindness PLLC

(57) **CLAIM**

The ornamental design for a combined powered brush handle,  
brush head, and charger, as shown and described.

**DESCRIPTION**

FIG. 1 is a top, front, right perspective view of a combined  
powered brush handle, brush head, and charger in accordance  
with our design;

FIG. 2 is a front elevation view thereof;

FIG. 3 is a rear elevation view thereof;

FIG. 4 is a top plan view thereof;

FIG. 5 is a bottom plan view thereof;

FIG. 6 is a left side elevation view thereof;

FIG. 7 is a right side elevation view thereof;

FIG. 8 is a top, front, right perspective view of a second  
embodiment of the combined powered brush handle, brush  
head, and charger shown in FIG. 1;

FIG. 9 is a front elevation view thereof;

FIG. 10 is a rear elevation view thereof;

FIG. 11 is a top plan view thereof;

FIG. 12 is a bottom plan view thereof;

FIG. 13 is a left side elevation view thereof;

FIG. 14 is a right side elevation view thereof;

FIG. 15 is a top, front, right perspective view of a third  
embodiment of the combined powered brush handle, brush  
head, and charger shown in FIG. 1;

FIG. 16 is a front elevation view thereof;

FIG. 17 is a rear elevation view thereof;

FIG. 18 is a top plan view thereof;

FIG. 19 is a bottom plan view thereof;

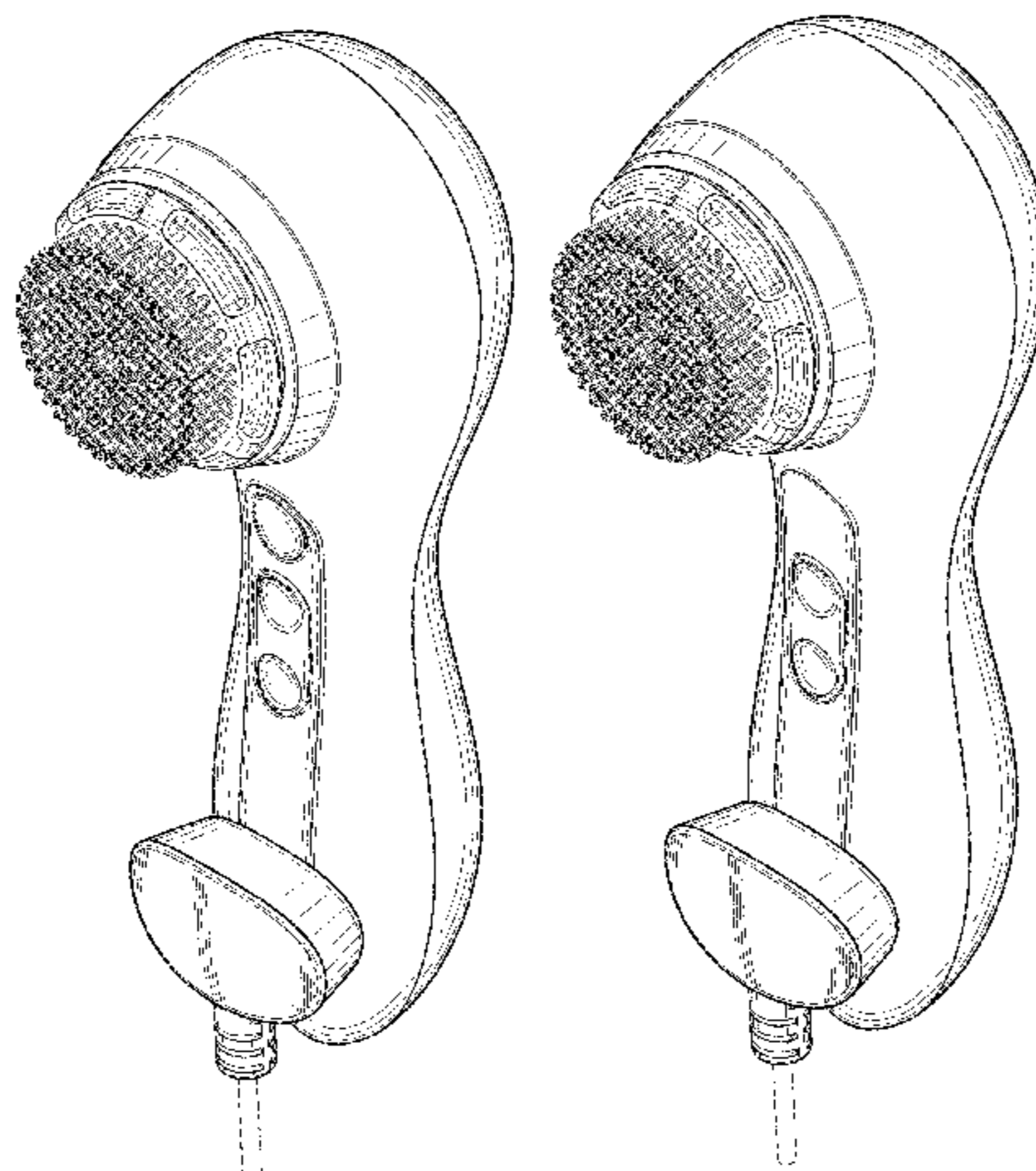
FIG. 20 is a left side elevation view thereof; and,

FIG. 21 is a right side elevation view thereof.

The broken line showing of the charger cord in FIGS. 1, 2,  
5-9, 12-16, 19, and 20 forms no part of the claimed design.

The features of the handle shown in broken lines in FIGS. 15,  
16, and 18-21 illustrate boundaries or environment of the  
third embodiment and form no part thereof.

**1 Claim, 18 Drawing Sheets**



(56)

**References Cited**

U.S. PATENT DOCUMENTS

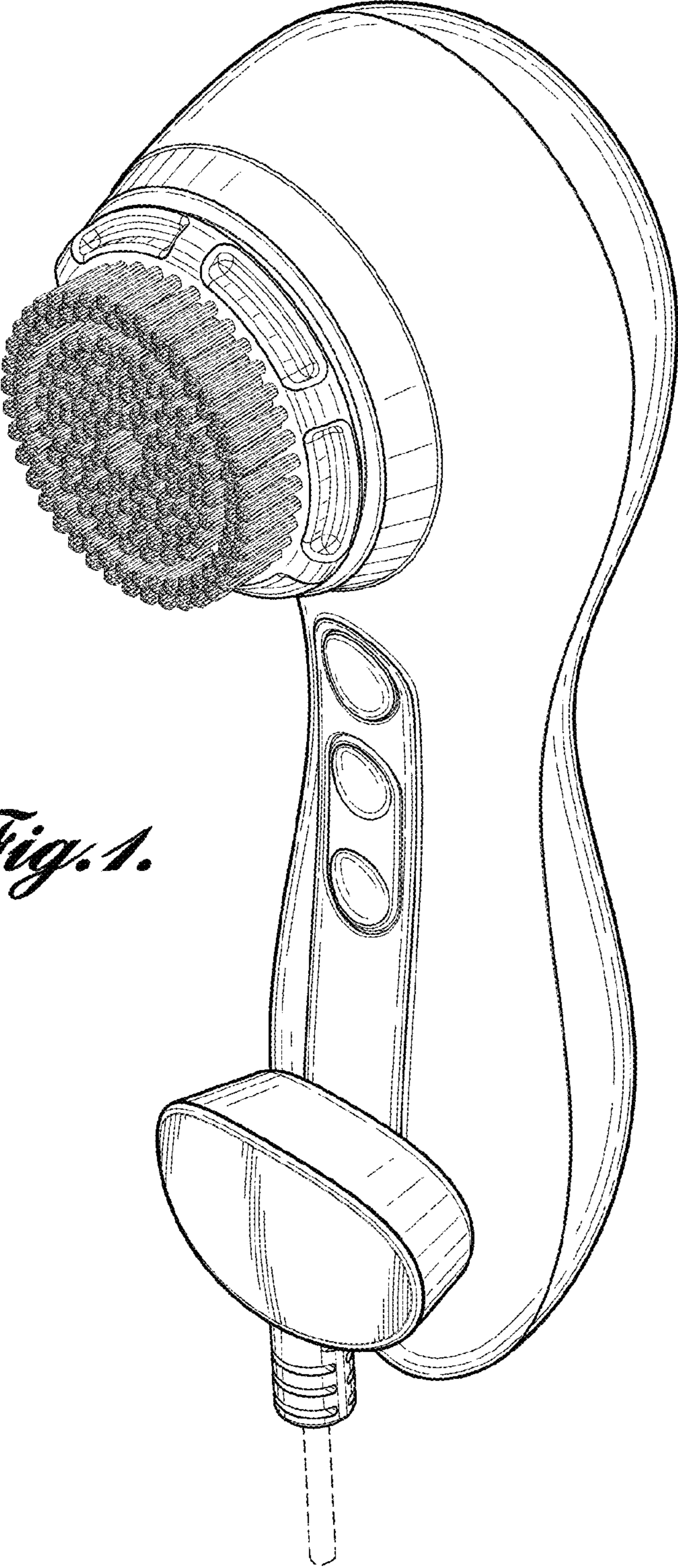
D523,809 S 6/2006 Roth et al.  
7,157,816 B2 1/2007 Pilcher et al.  
D549,964 S 9/2007 Roth et al.  
7,386,906 B2 6/2008 Roth et al.  
D601,803 S 10/2009 Reishus et al.  
7,786,626 B2 8/2010 Reishus et al.  
7,789,092 B2 9/2010 Akridge et al.  
D634,268 S 3/2011 Reishus et al.  
D634,707 S 3/2011 Hosler et al.  
D635,294 S 3/2011 Hosler et al.  
D663,893 S 7/2012 Hosler et al.  
8,272,862 B2 9/2012 Pilcher et al.

D679,502 S 4/2013 Itano et al.  
D683,139 S \* 5/2013 Chikos et al. .... D4/102  
8,469,909 B2 6/2013 Pilcher et al.  
8,484,788 B2 7/2013 Brewer et al.  
D687,772 S \* 8/2013 Chikos et al. .... D13/108

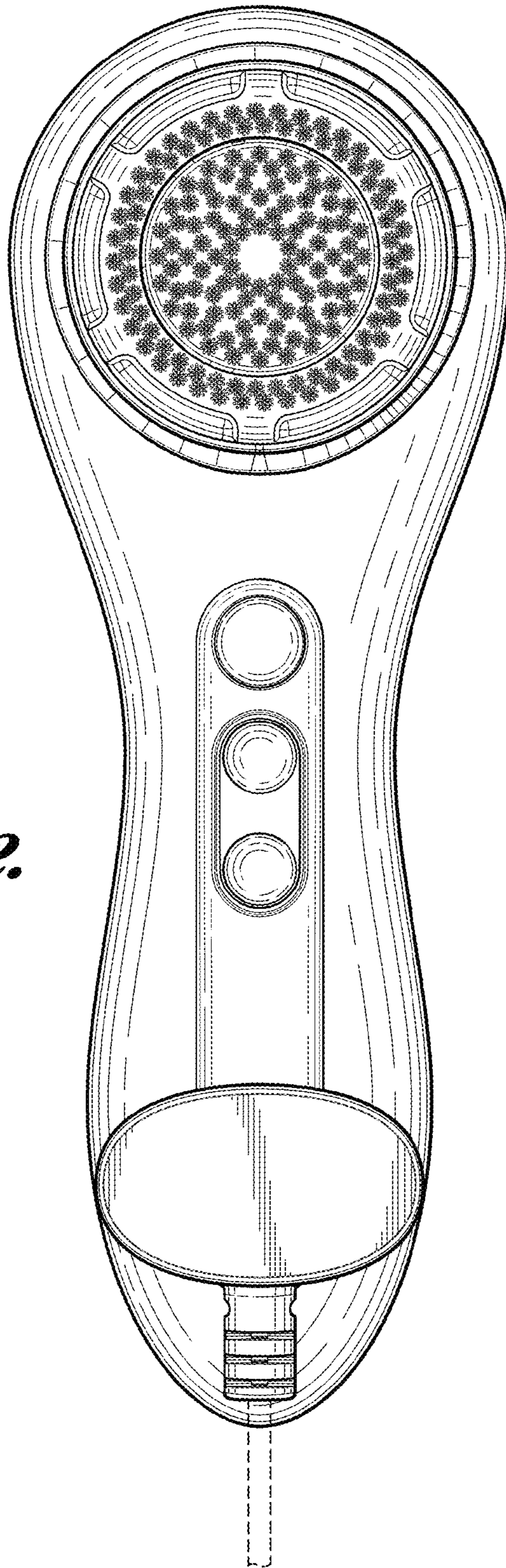
FOREIGN PATENT DOCUMENTS

CN 302614141 S \* 10/2013  
KR 30-0336751 S \* 11/2003  
KR 30-0525977 S \* 4/2009  
KR 30-0577075 S \* 10/2010  
KR 30-0681326 S \* 2/2013  
WO WO 2013/141516 A1 \* 9/2013 ..... A45D 44/00

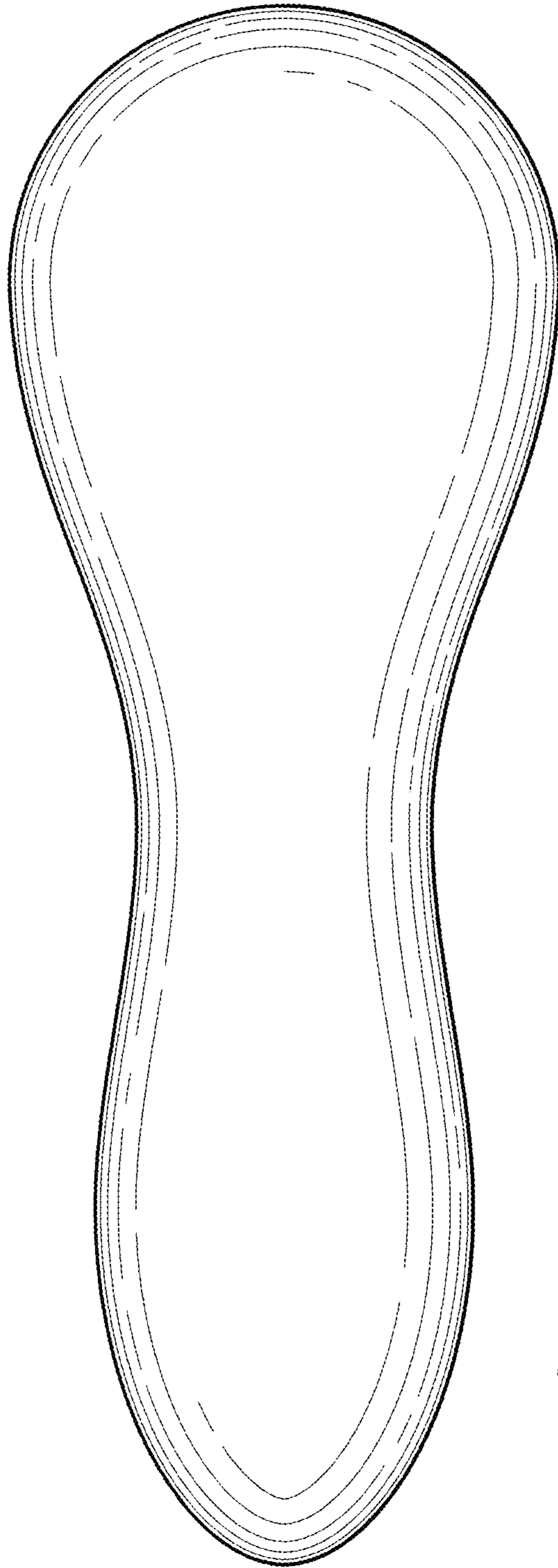
\* cited by examiner



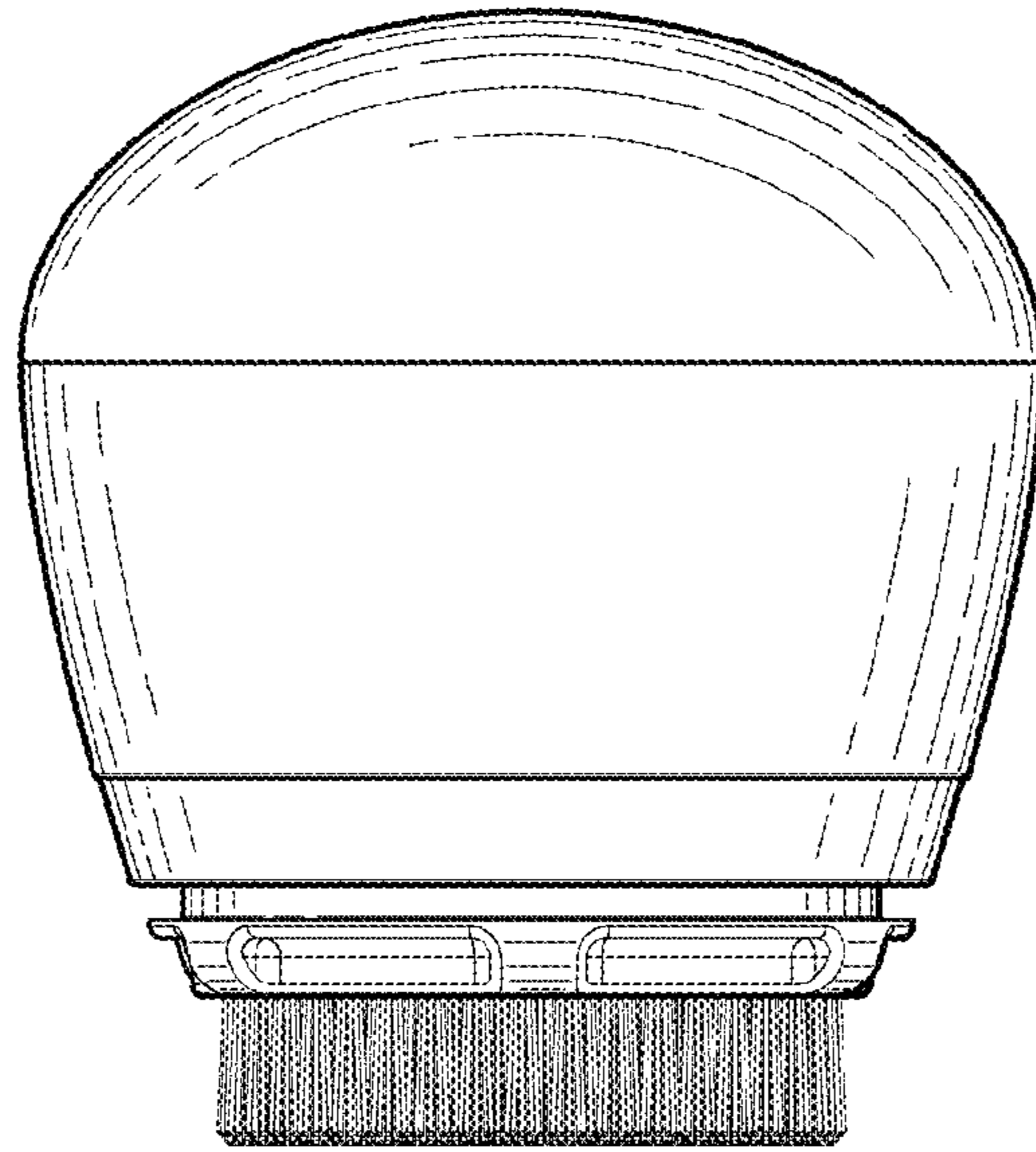
*Fig. 1.*



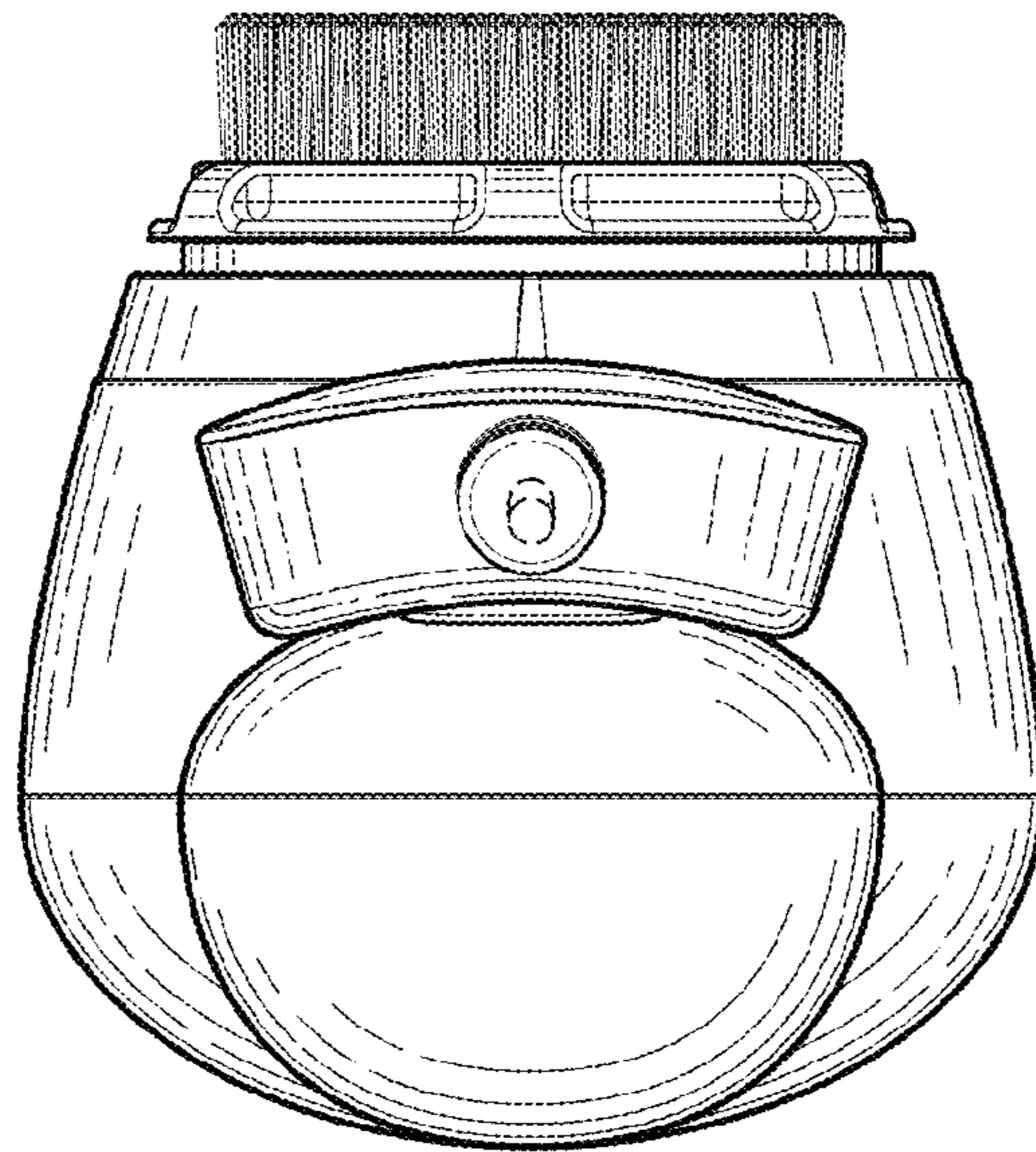
*Fig. 2.*



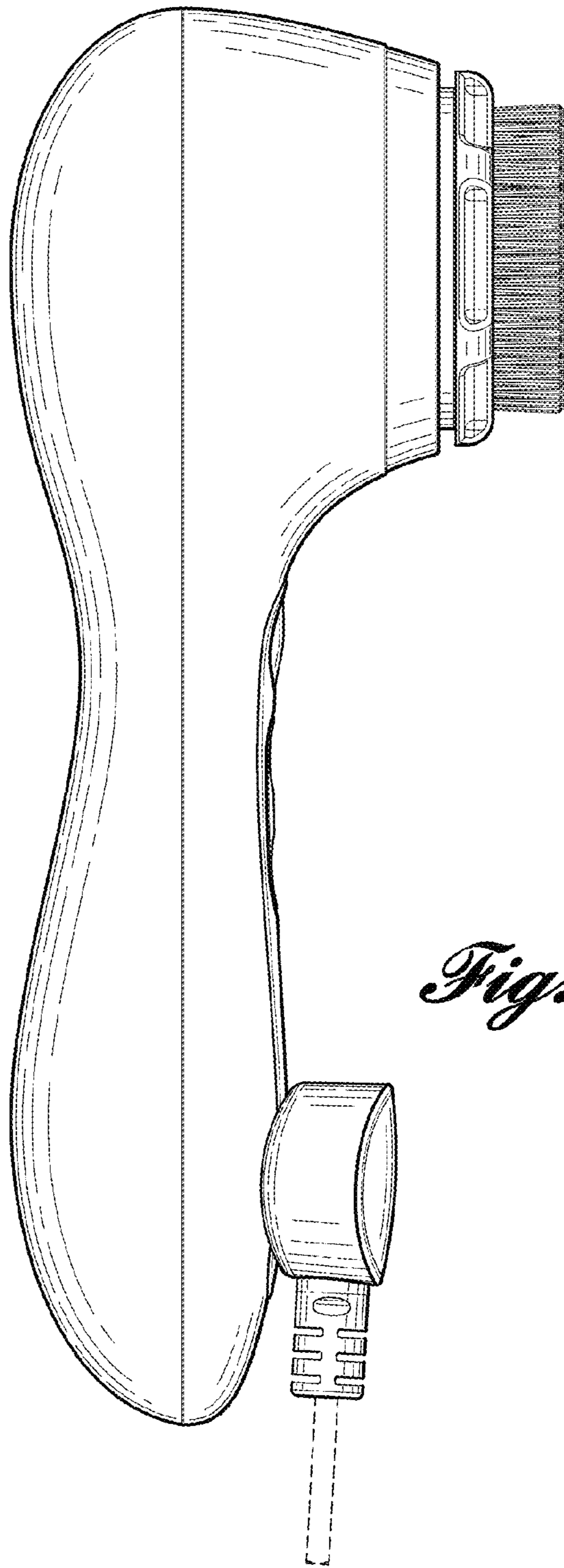
*Fig. 3.*



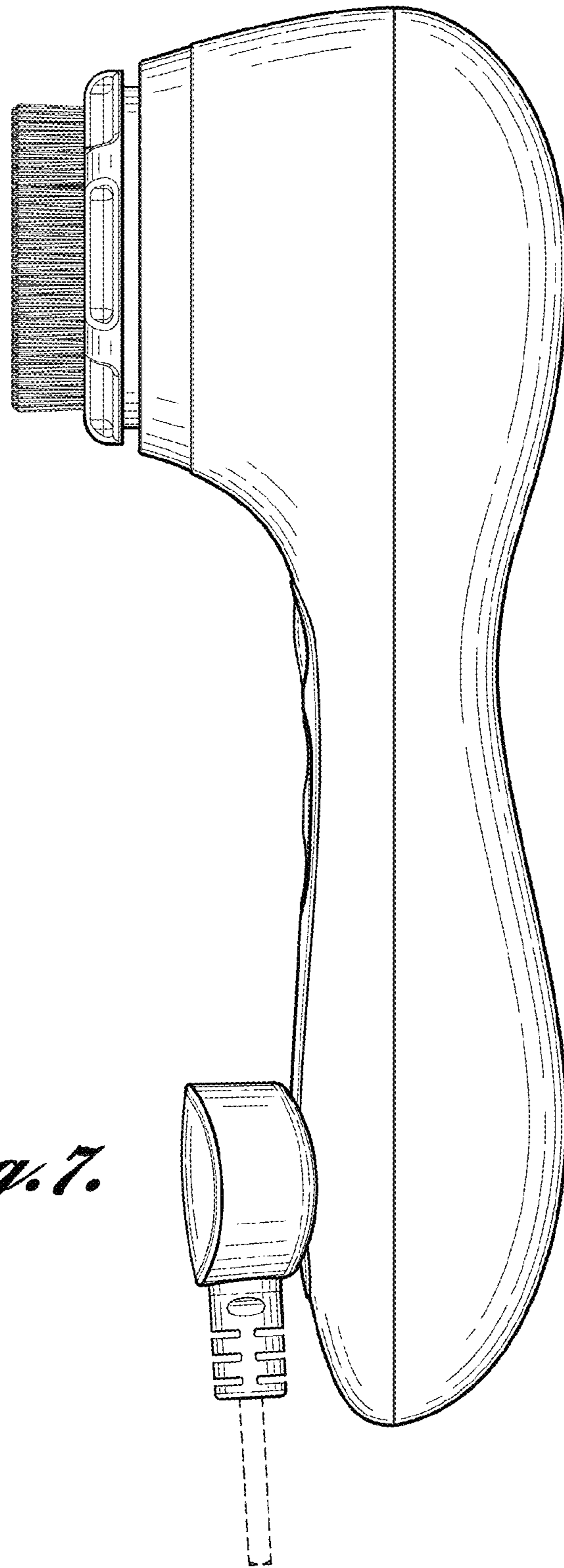
*Fig. 4.*



*Fig. 5.*

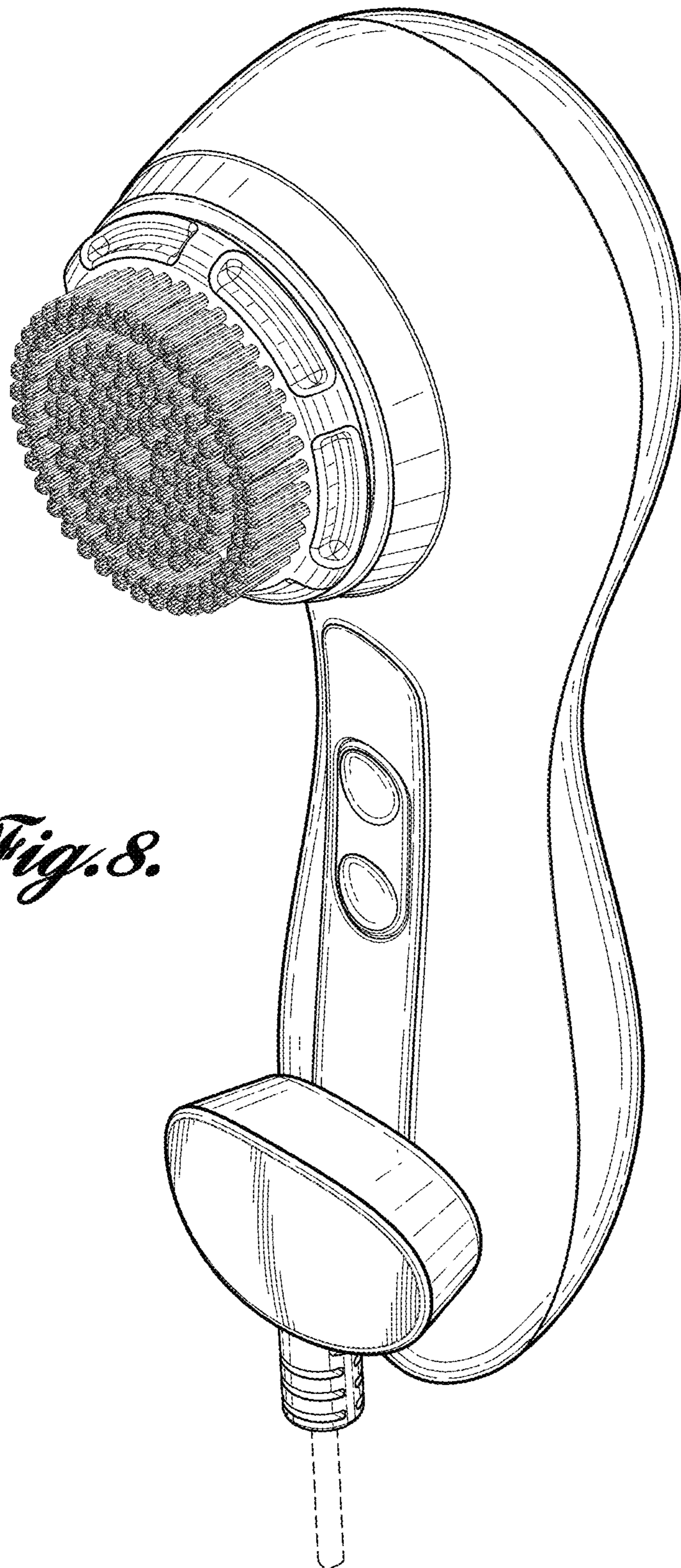


*Fig. 6.*

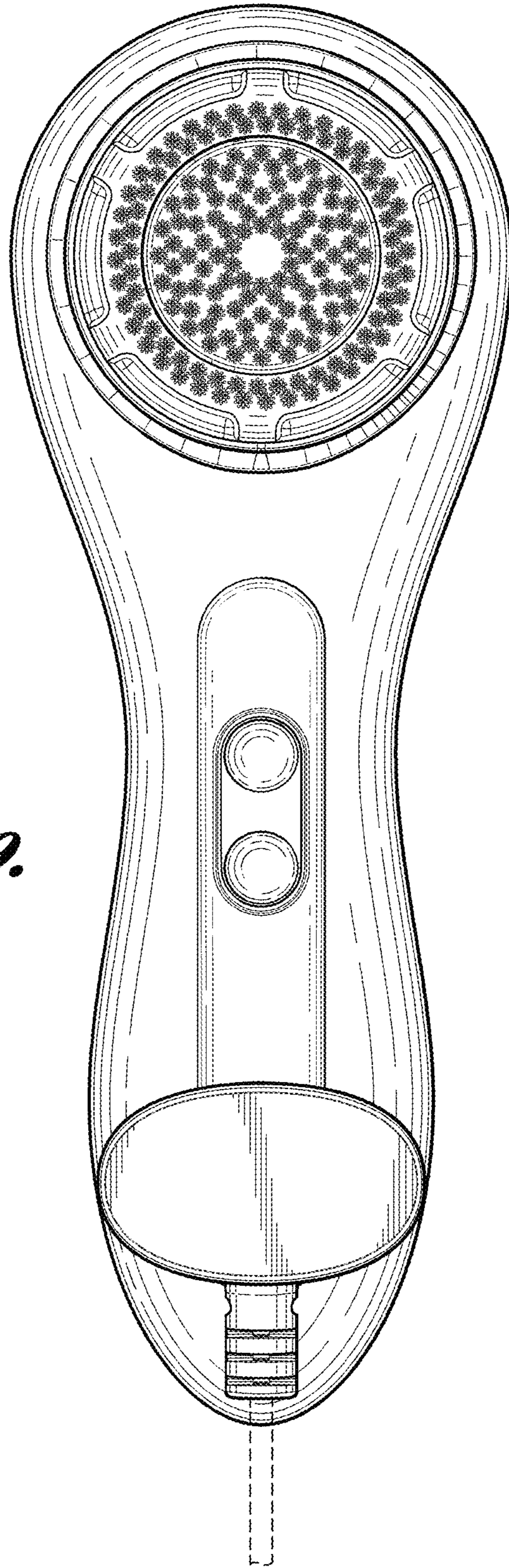


*Fig. 7.*

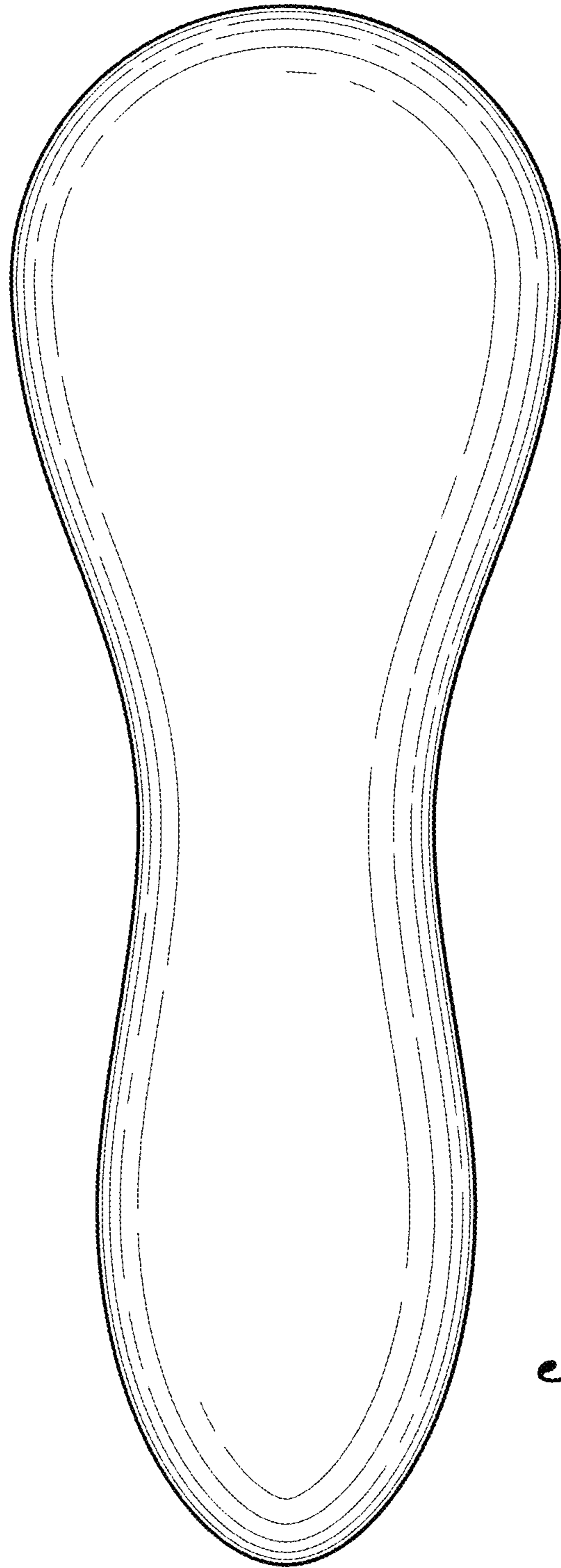




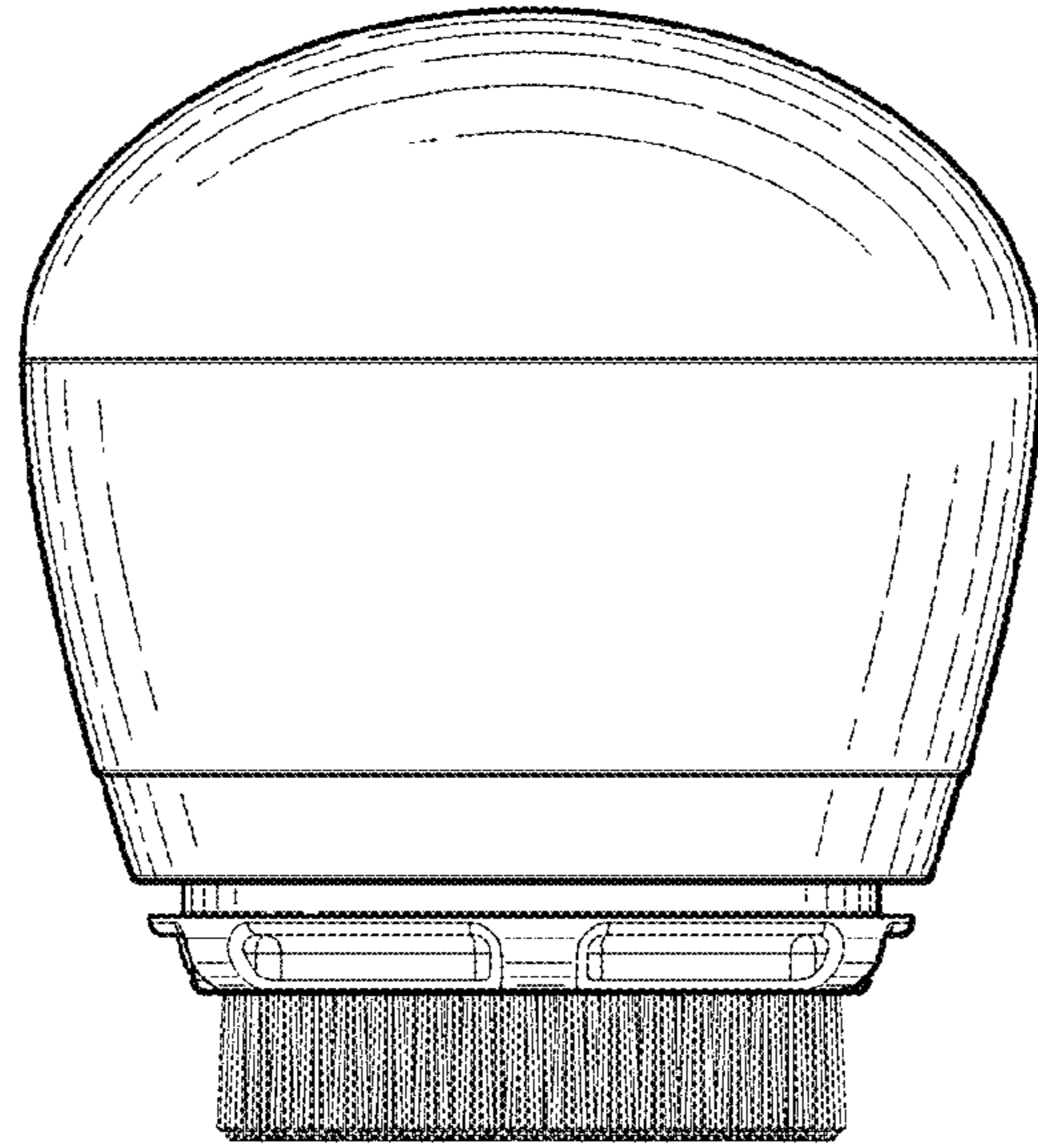
*Fig. 8.*



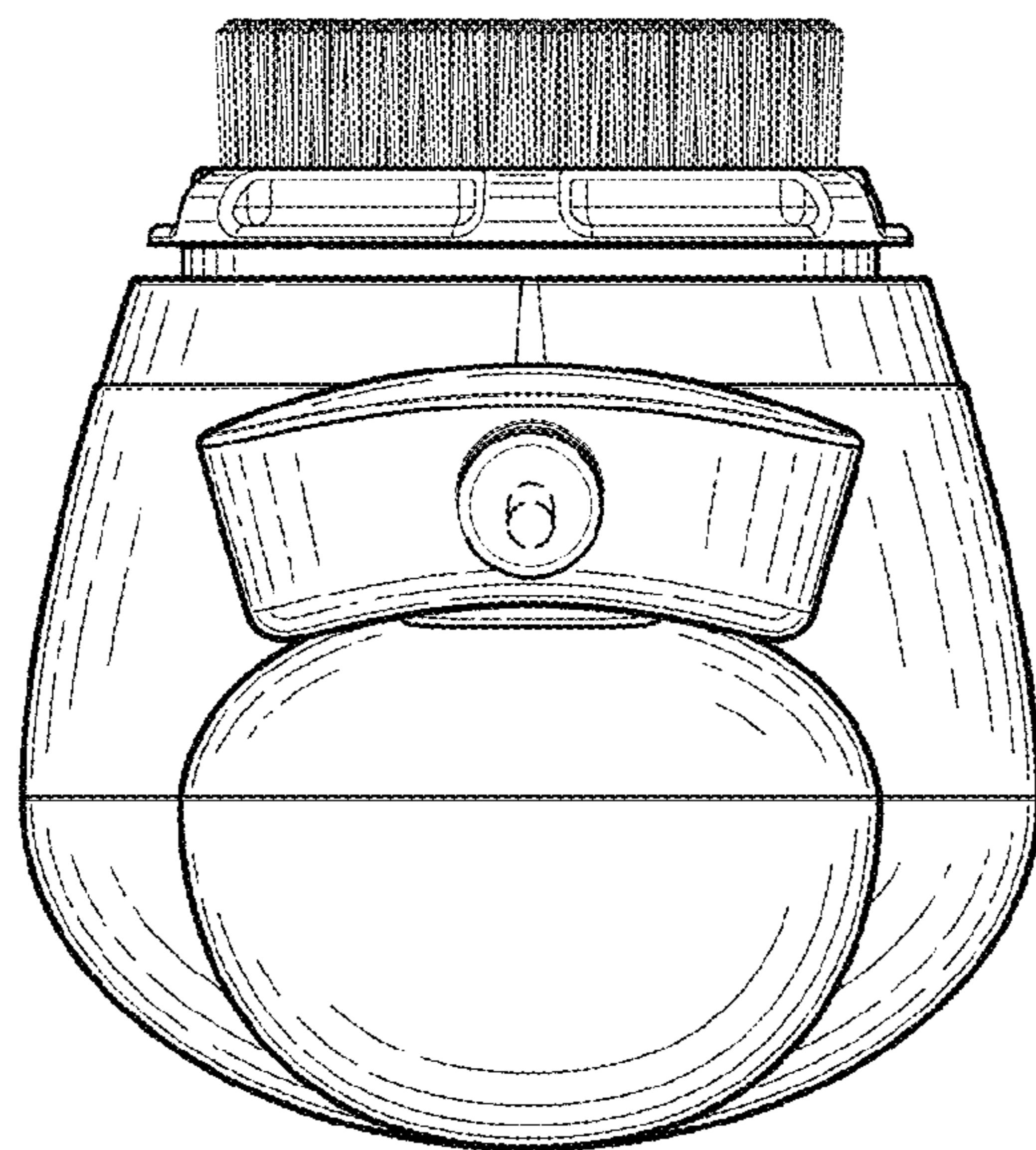
*Fig. 9.*



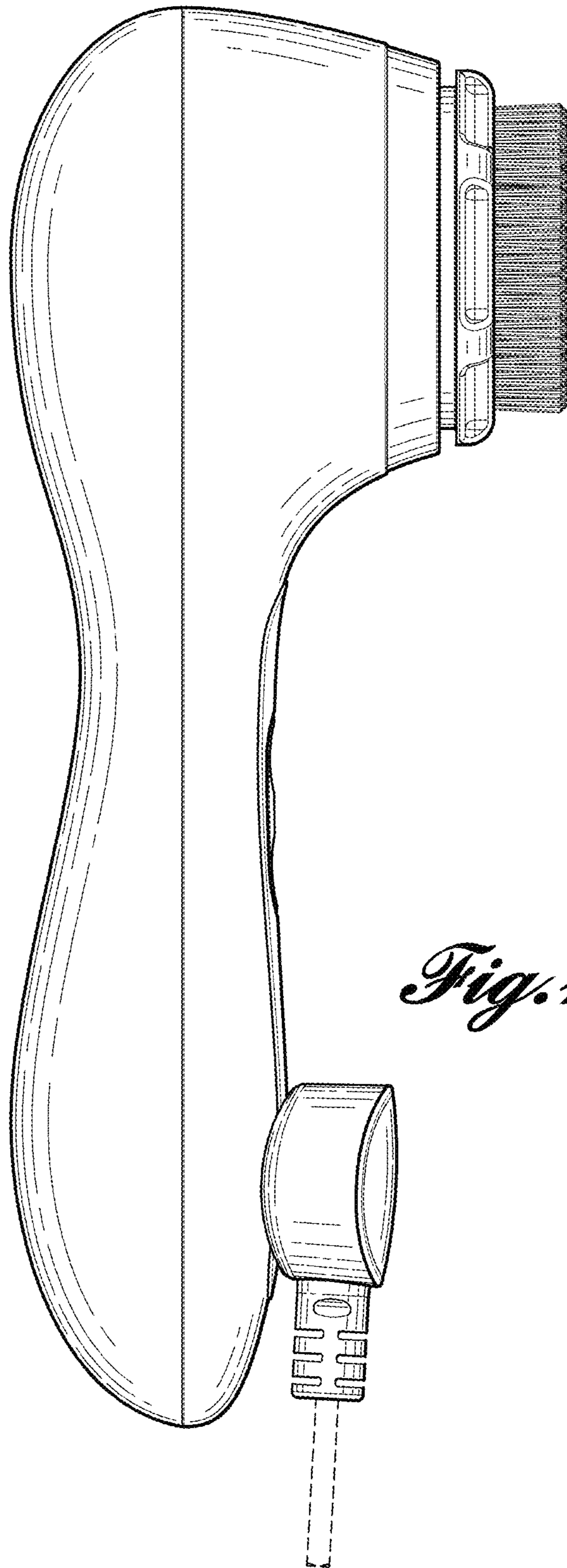
*Fig. 10.*



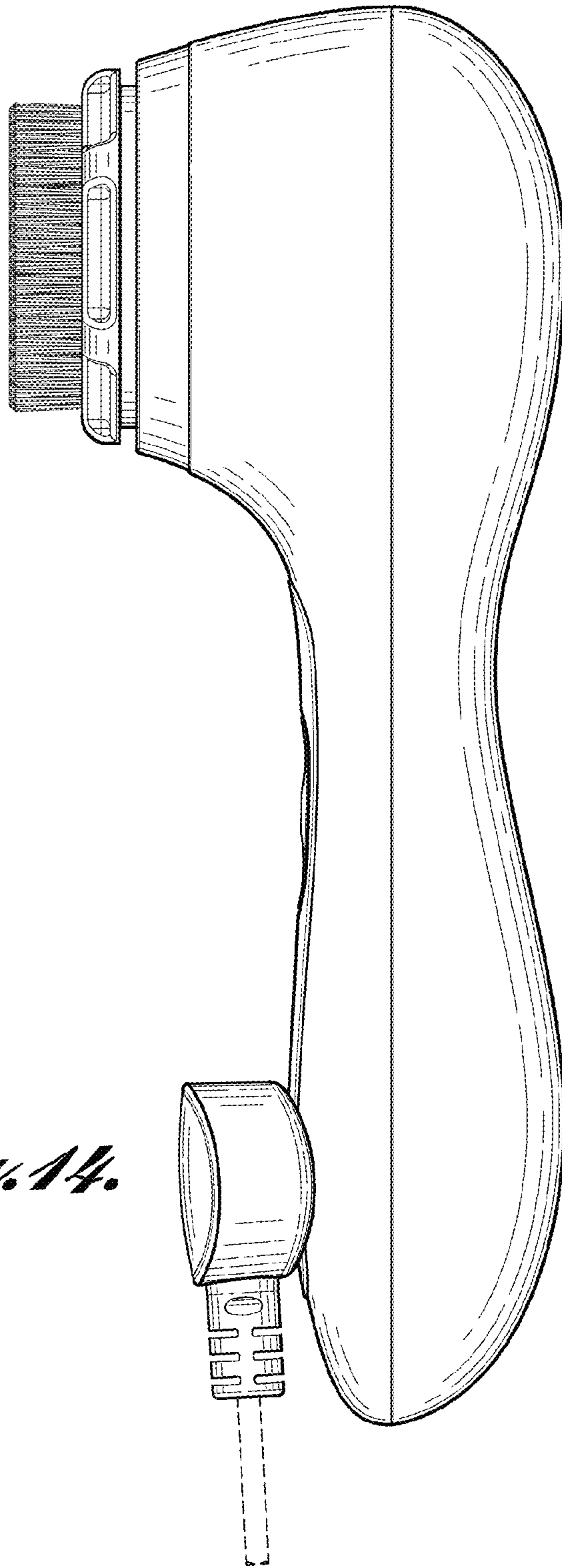
*Fig. 11.*



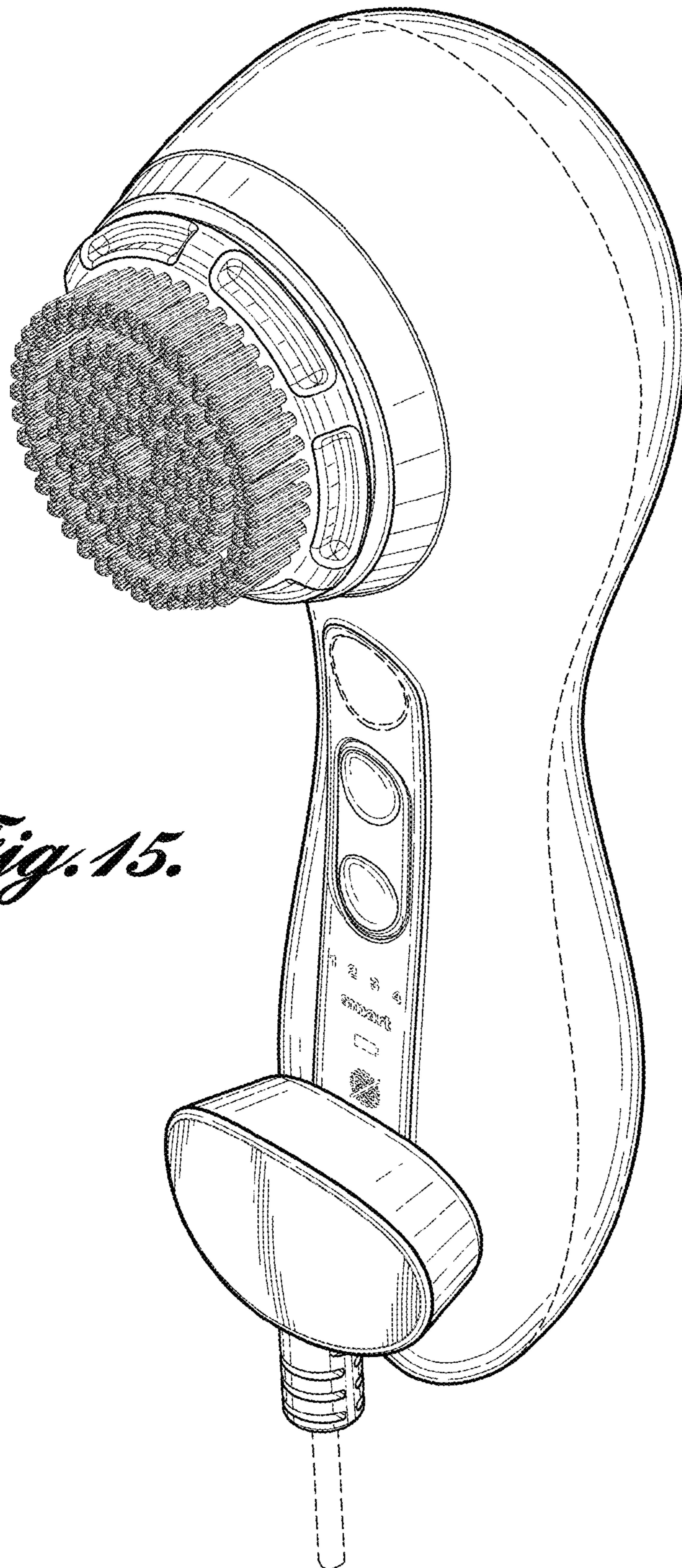
*Fig. 12.*



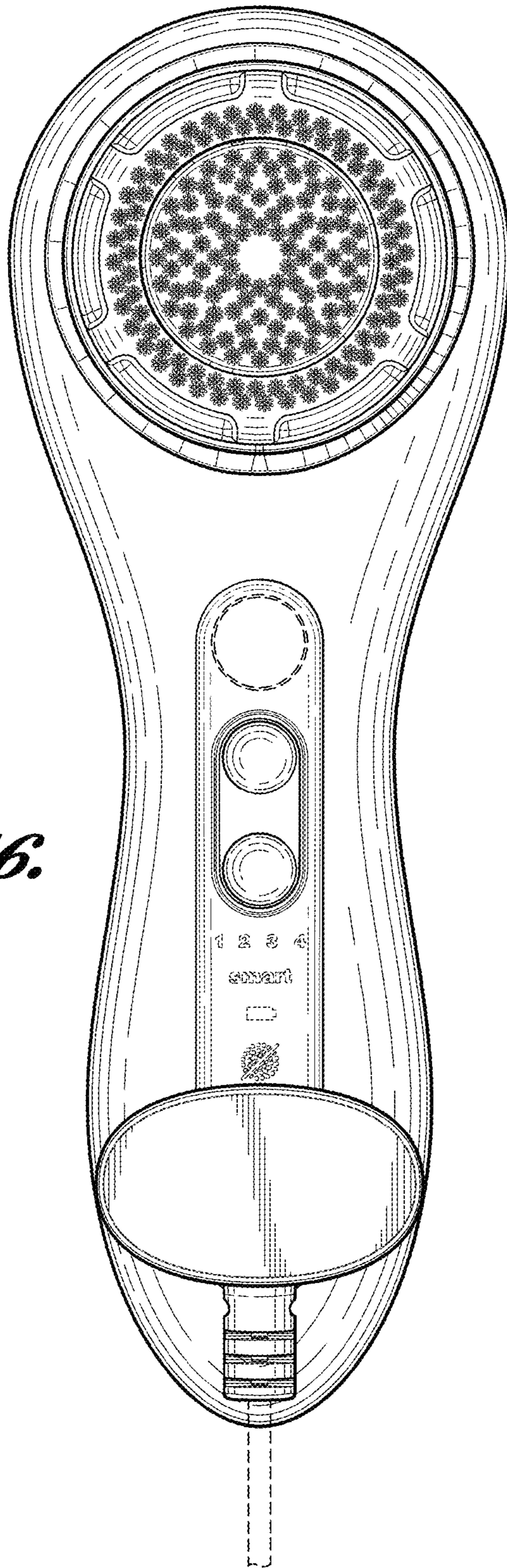
*Fig. 13.*



*Fig. 14.*

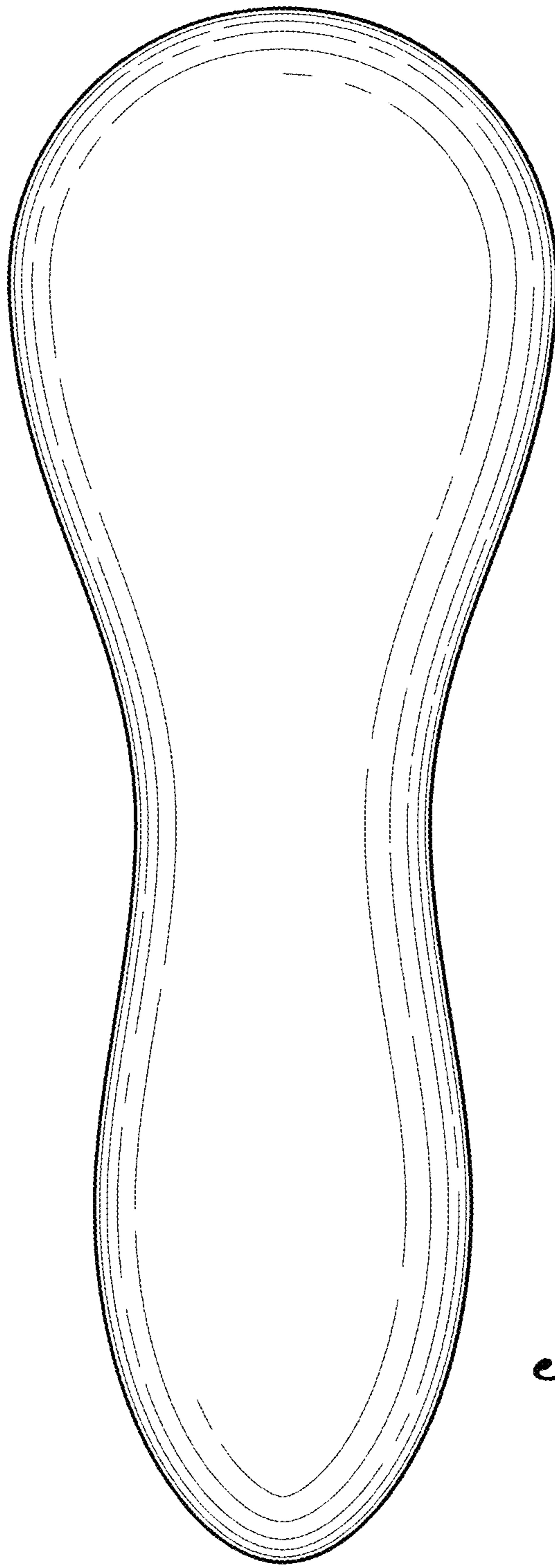


*Fig. 15.*

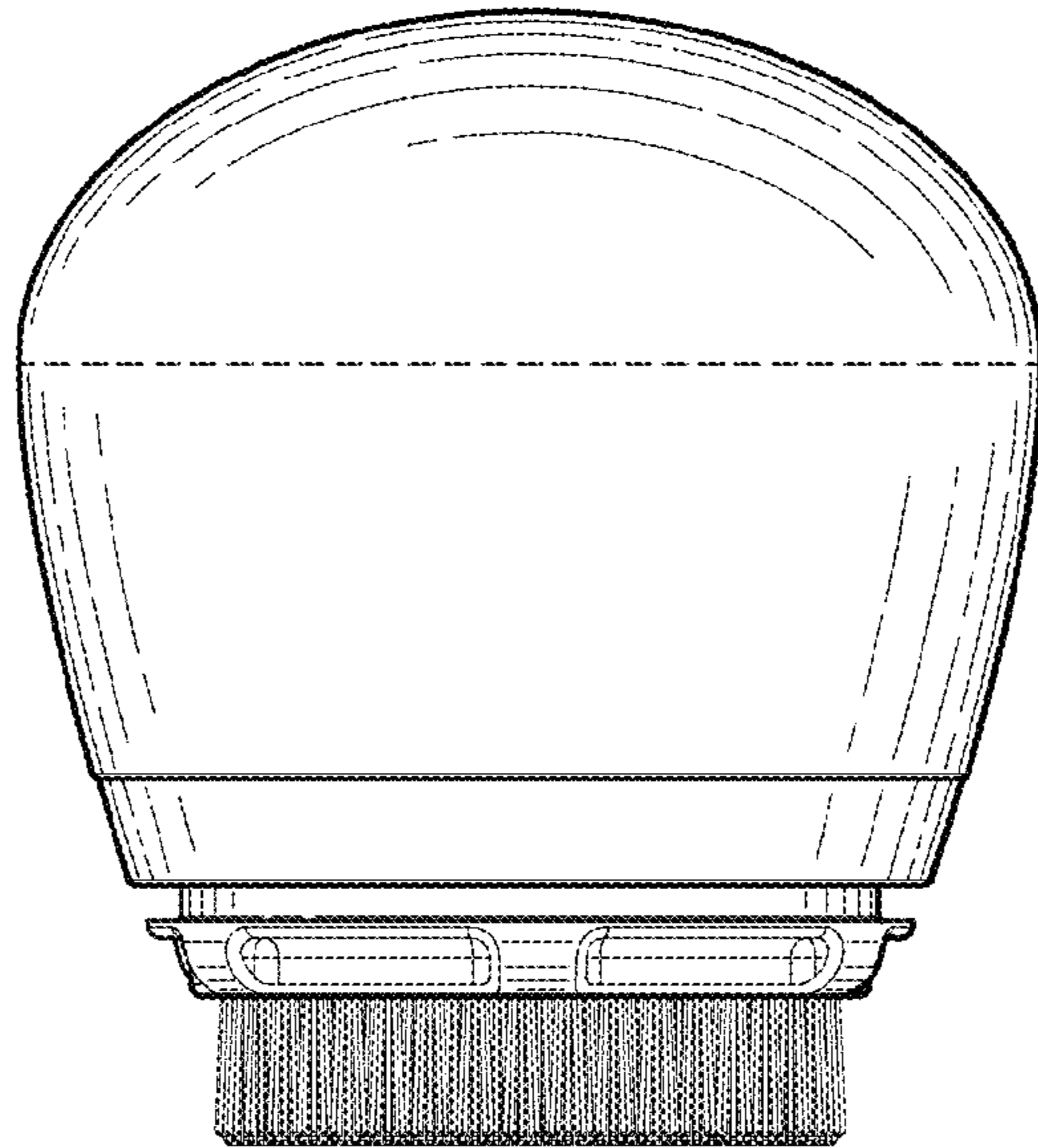


*Fig. 16.*

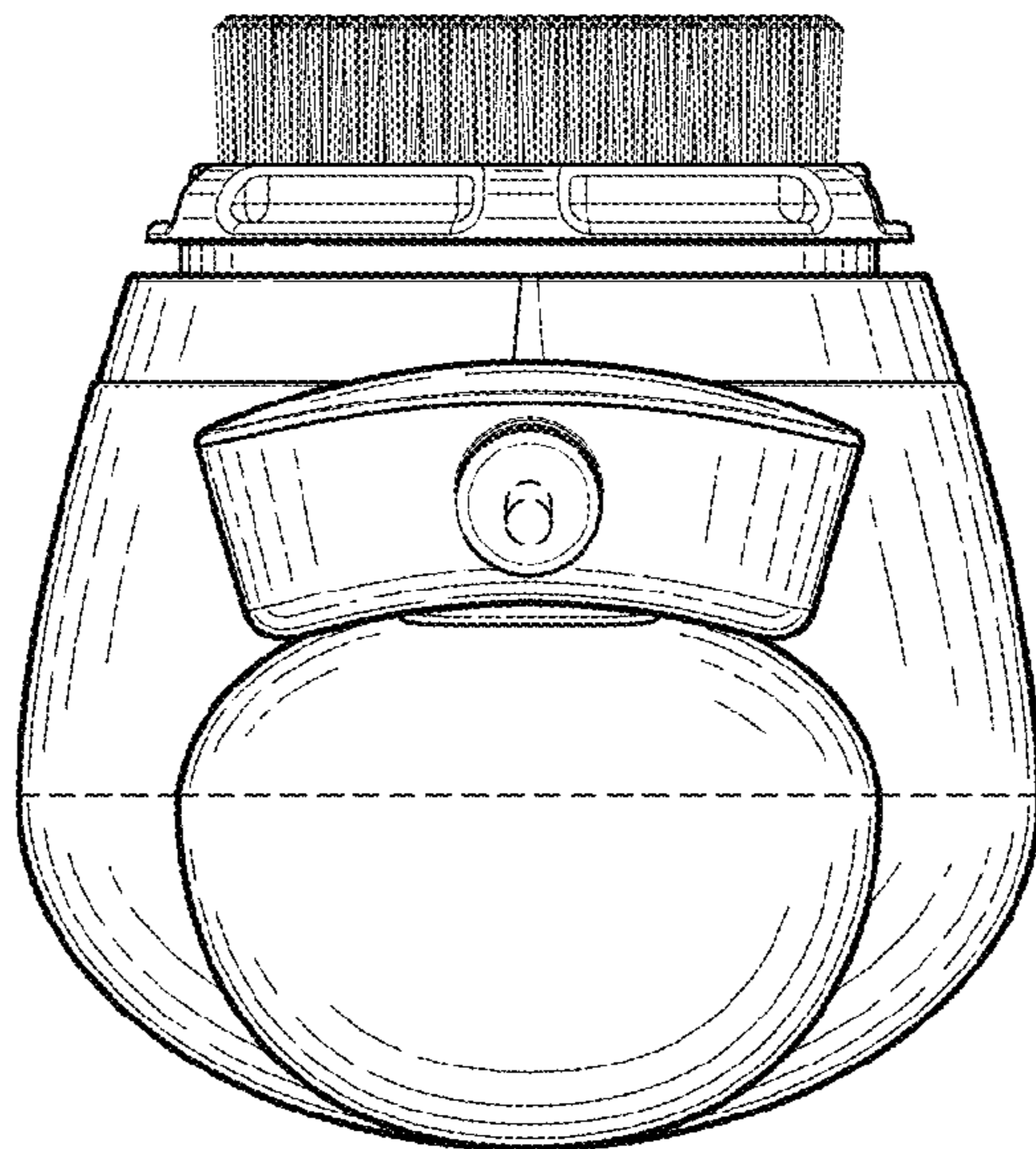




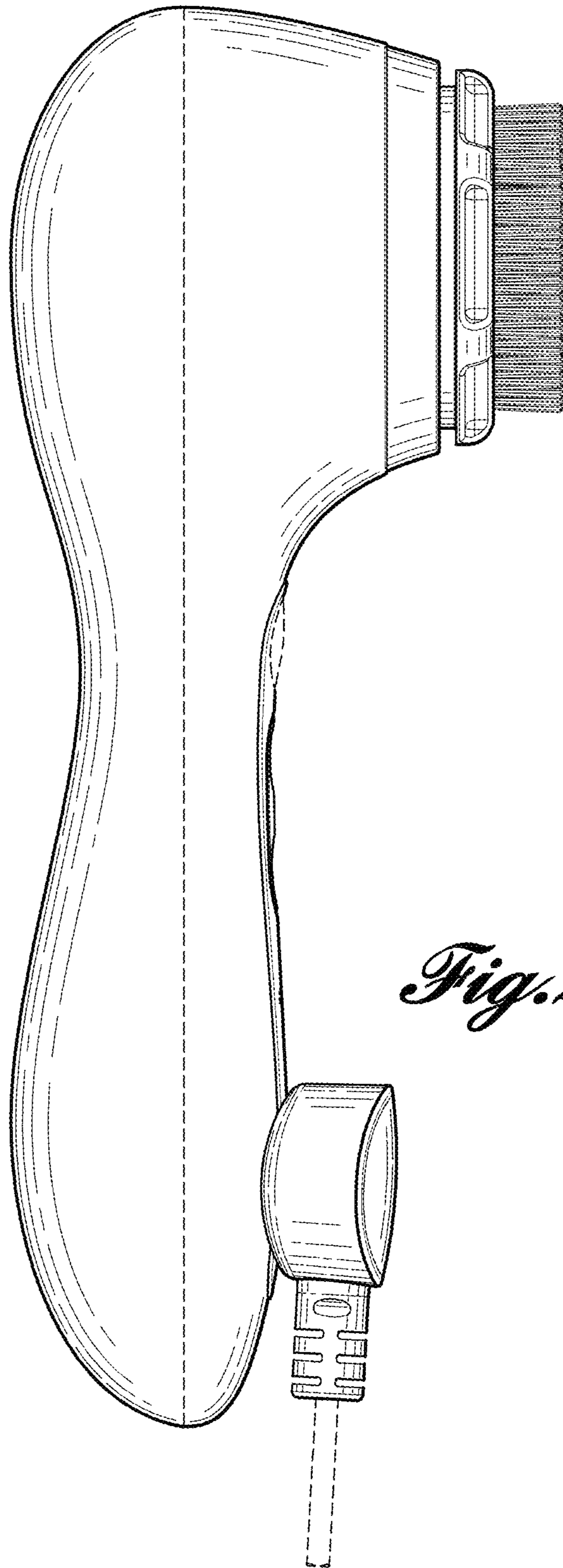
*Fig. 17.*



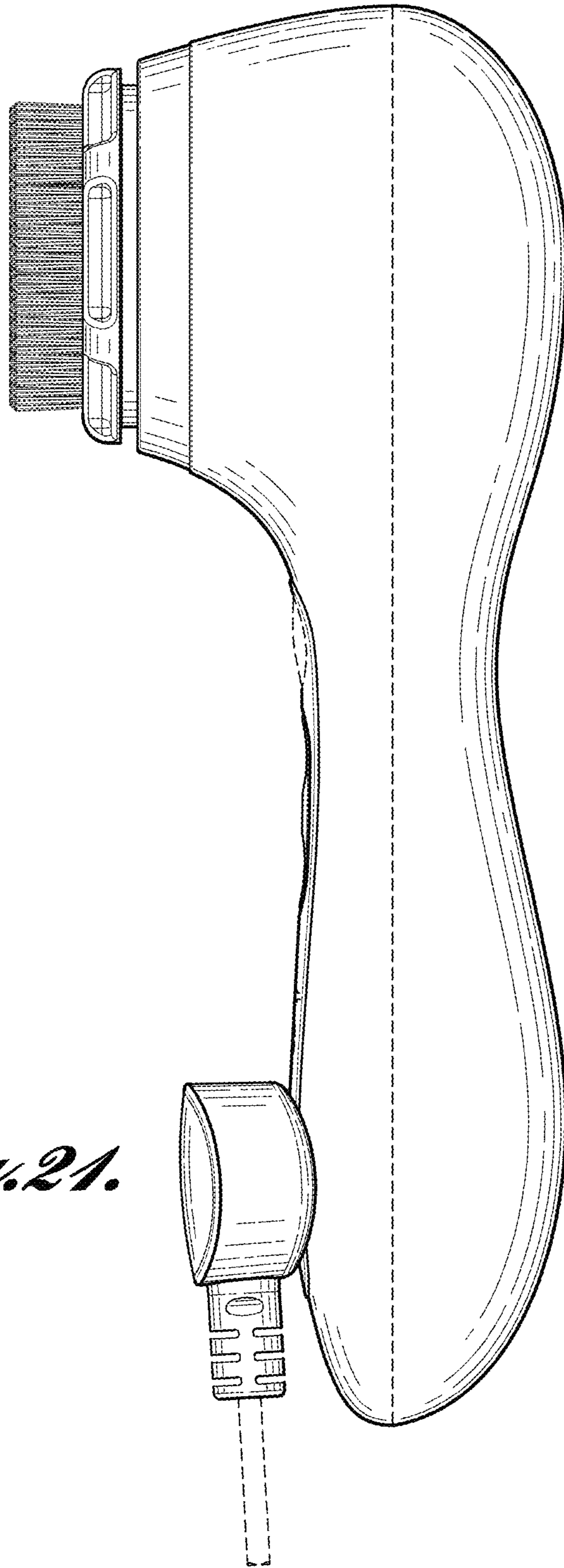
*Fig. 18.*



*Fig. 19.*



*Fig. 20.*



*Fig. 21.*