



US00D715554S

(12) **United States Design Patent**
Hosler et al.

(10) **Patent No.:** **US D715,554 S**
(45) **Date of Patent:** **** Oct. 21, 2014**

- (54) **COMBINED POWERED BRUSH HANDLE AND BRUSH HEAD**
- (71) Applicant: **L'Oreal USA Creative, Inc.**, New York, NY (US)
- (72) Inventors: **Travis J. Hosler**, Seattle, WA (US);
Kenneth A. Pilcher, Seattle, WA (US);
Richard A. Reishus, Renton, WA (US);
Suk P. Wong, Sammamish, WA (US)
- (73) Assignee: **L'Oreal USA Creative, Inc.**, New York, NY (US)
- (**) Term: **14 Years**
- (21) Appl. No.: **29/465,461**
- (22) Filed: **Aug. 28, 2013**
- (51) **LOC (10) Cl.** **04-02**
- (52) **U.S. Cl.**
USPC **D4/102; D4/127**
- (58) **Field of Classification Search**
CPC A46B 3/00; A46B 3/02; A46B 5/0095;
A46B 7/00; A46B 7/06; A46B 7/08; A46B
9/00; A46B 9/02; A46B 9/026; A46B 9/028;
A46B 13/00; A46B 13/003; A46B 13/008;
A46B 13/02; A46B 13/023; A46B 13/026;
A46B 13/04; A46B 13/08; A47K 7/04;
A47L 23/06; A61H 7/003; A61H 7/004;
A61H 7/005
USPC D4/100-102, 127; D28/7, 57, 58, 63;
601/114; 15/22.1, 28, 29, 176.1, 176.4,
15/176.5, 180, 207.2, 197, 198, 200;
D24/146, 211, 214, 215
See application file for complete search history.

- (56) **References Cited**
U.S. PATENT DOCUMENTS

D335,934 S 5/1993 Howard
D403,055 S 12/1998 Nguyen
(Continued)

FOREIGN PATENT DOCUMENTS

CN 301943741 S * 5/2012

CN 302283515 S * 1/2013
(Continued)

Primary Examiner — Melanie H Tung
Assistant Examiner — Lavone D Tabor
(74) *Attorney, Agent, or Firm* — Christensen O'Connor Johnson Kindness PLLC

(57) **CLAIM**
The ornamental design for a combined powered brush handle and brush head, as shown and described.

DESCRIPTION

FIG. 1 is a top front right perspective view of a combined powered brush handle and brush head in accordance with our new design;

FIG. 2 is a front elevation view thereof;

FIG. 3 is a rear elevation view thereof;

FIG. 4 is a top plan view thereof;

FIG. 5 is a bottom plan view thereof;

FIG. 6 is a left side elevation view thereof;

FIG. 7 is a right side elevation view thereof;

FIG. 8 is a top front right perspective view of a second embodiment of the powered brush handle and brush head shown in FIG. 1;

FIG. 9 is a front elevation view thereof;

FIG. 10 is a rear elevation view thereof;

FIG. 11 is a top plan view thereof;

FIG. 12 is a bottom plan view thereof;

FIG. 13 is a left side elevation view thereof;

FIG. 14 is a right side elevation view thereof;

FIG. 15 is a top front right perspective view of a third embodiment of the powered brush handle and brush head shown in FIG. 1;

FIG. 16 is a front elevation view thereof;

FIG. 17 is a rear elevation view thereof;

FIG. 18 is a top plan view thereof;

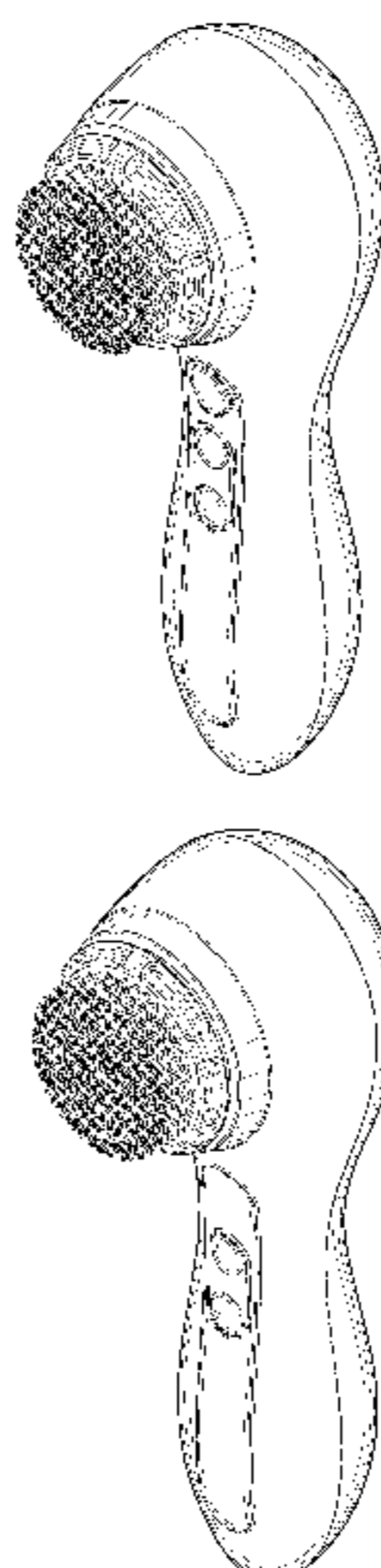
FIG. 19 is a bottom plan view thereof;

FIG. 20 is a left side elevation view thereof; and,

FIG. 21 is a right side elevation view thereof.

The features of the handle shown in broken lines in FIGS. 15, 16, and 18-21 illustrate boundaries or environment of the third embodiment that form no part thereof.

1 Claim, 18 Drawing Sheets



(56)

References Cited

U.S. PATENT DOCUMENTS

D523,809 S 6/2006 Roth et al.
7,157,816 B2 1/2007 Pilcher et al.
D549,964 S 9/2007 Roth et al.
7,386,906 B2 6/2008 Roth et al.
D601,803 S 10/2009 Reishus et al.
7,786,626 B2 8/2010 Reishus et al.
7,789,092 B2 9/2010 Akridge et al.
D634,268 S 3/2011 Reishus et al.
D634,707 S 3/2011 Hosler et al.
D635,294 S 3/2011 Hosler et al.
D663,893 S 7/2012 Hosler et al.
8,272,862 B2 9/2012 Pilcher et al.

D679,502 S 4/2013 Itano et al.
D683,139 S * 5/2013 Chikos et al. D4/102
8,469,909 B2 6/2013 Pilcher et al.
8,484,788 B2 7/2013 Brewer et al.
D687,772 S * 8/2013 Chikos et al. D13/108

FOREIGN PATENT DOCUMENTS

CN 302614141 S * 10/2013
KR 30-0336751 S * 11/2003
KR 30-0525977 S * 4/2009
KR 30-0577075 S * 10/2010
KR 30-0681326 S * 2/2013
WO WO 2013/141516 A1 * 9/2013 A45D 44/00

* cited by examiner

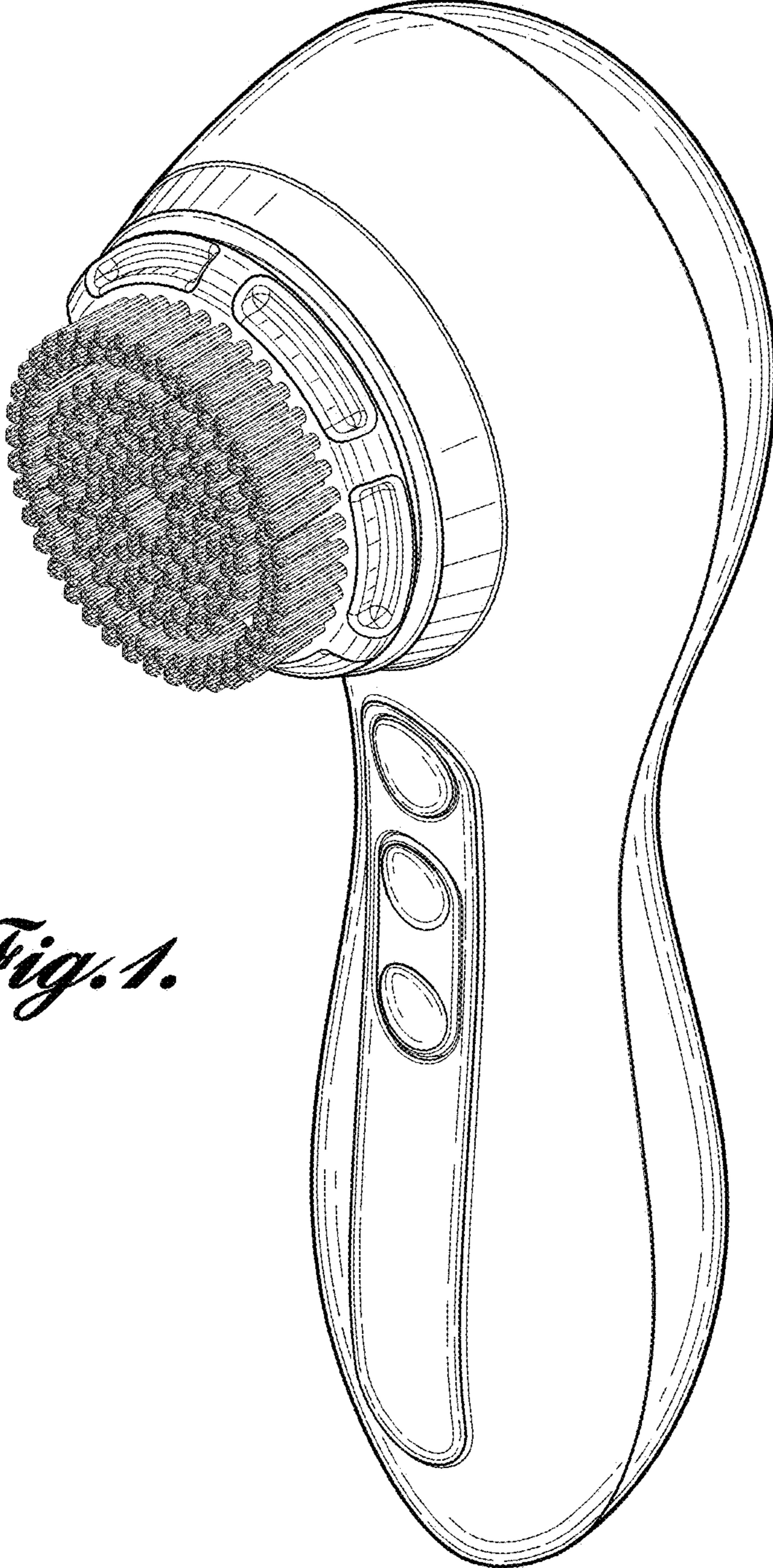


Fig. 1.

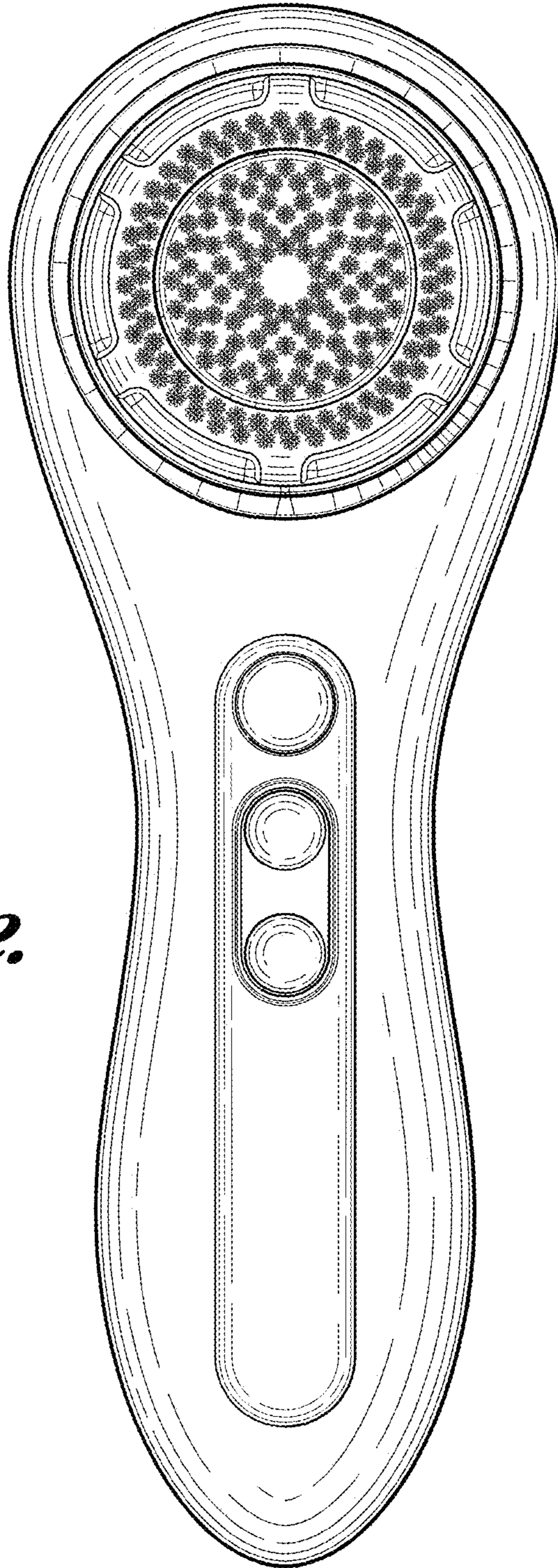


Fig. 2.

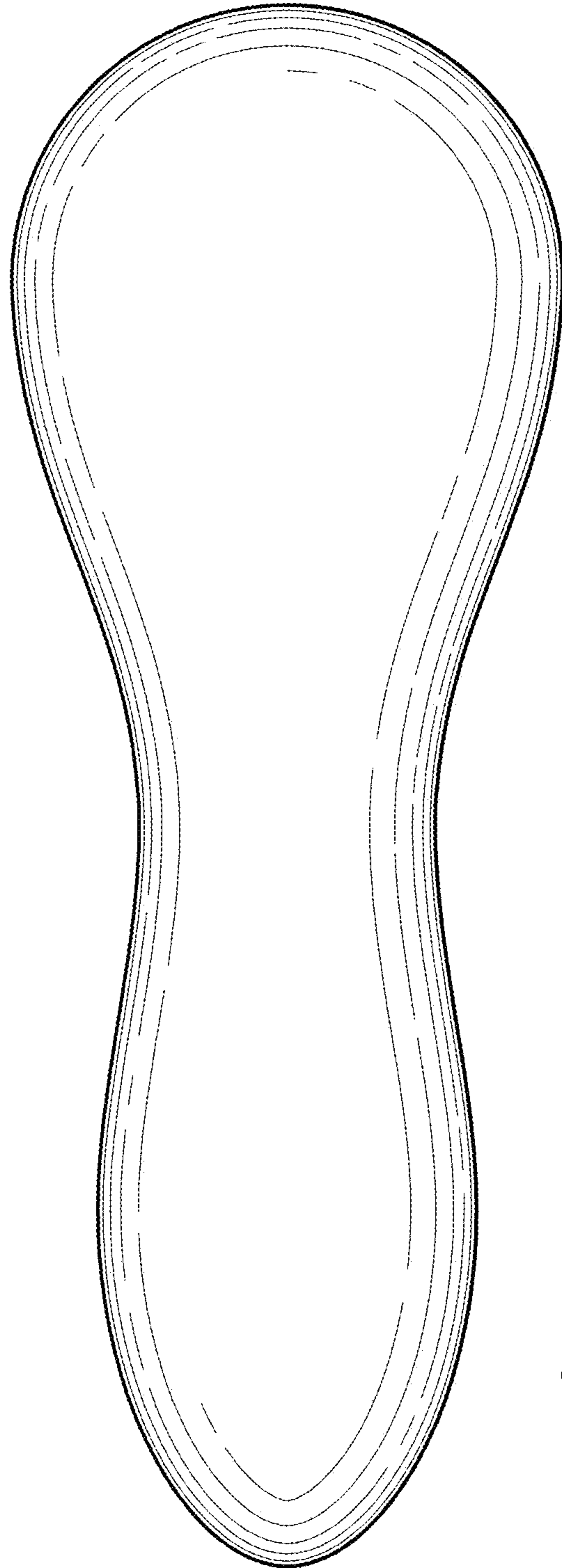


Fig. 3.

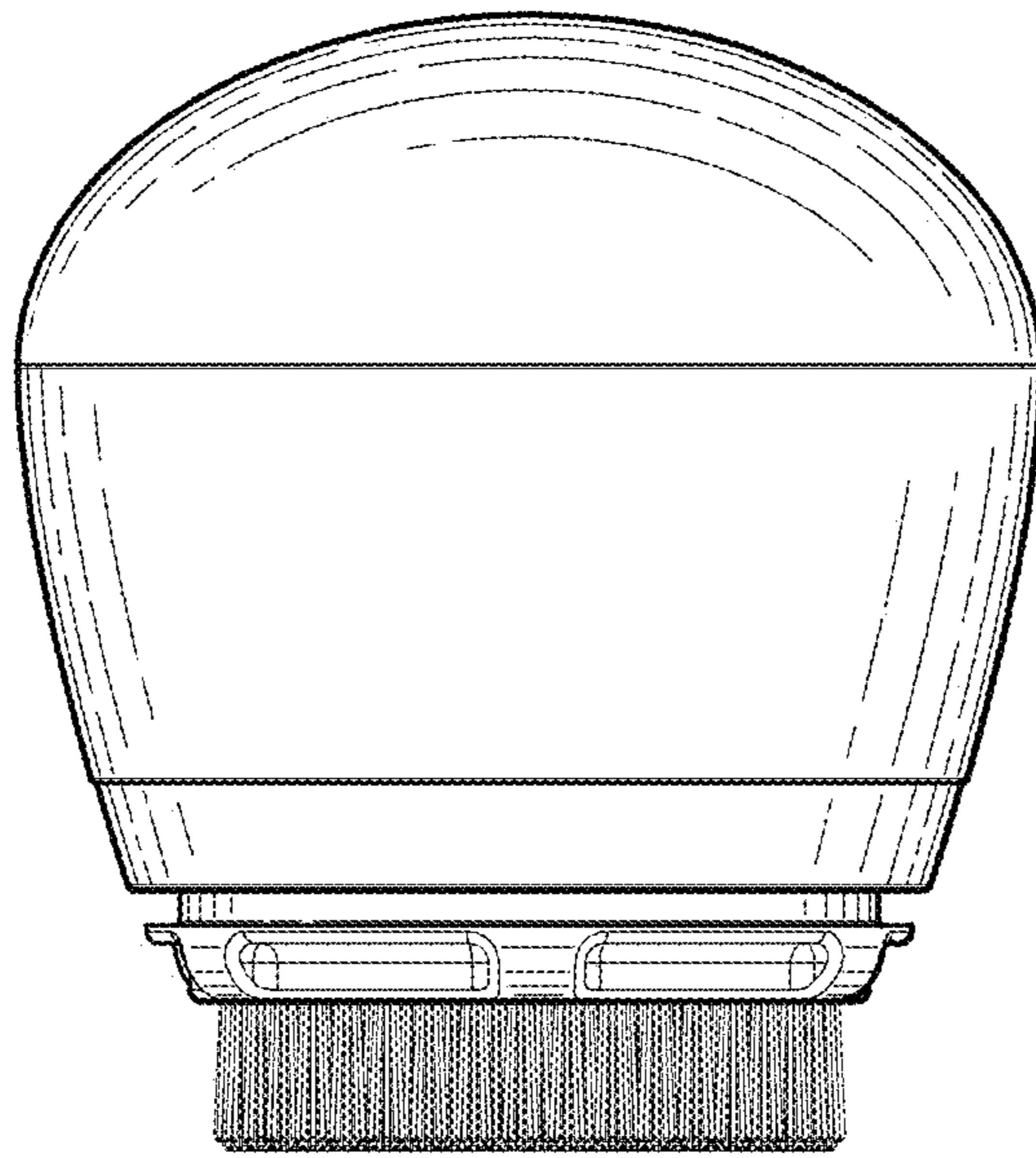


Fig. 4.

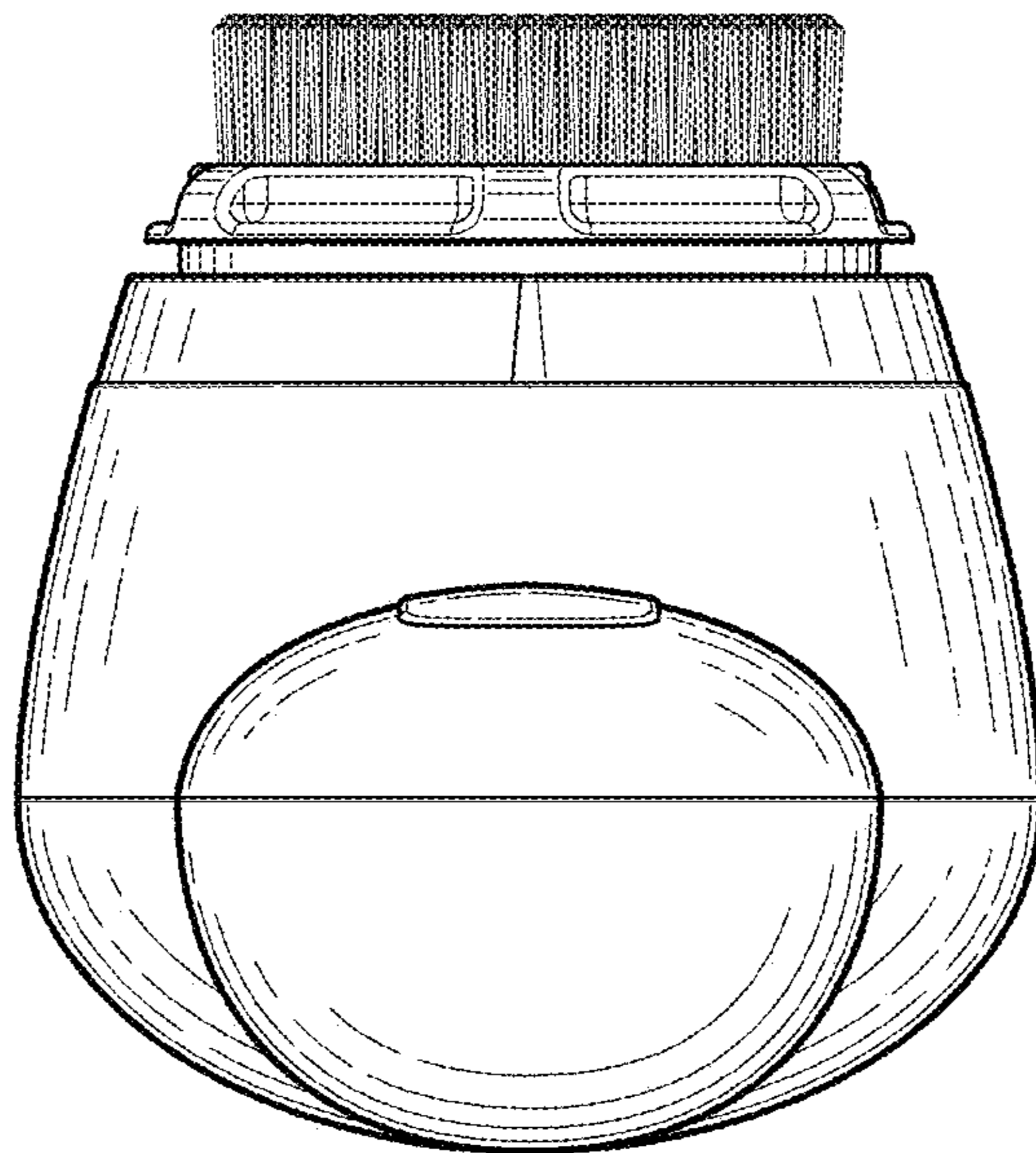


Fig. 5.

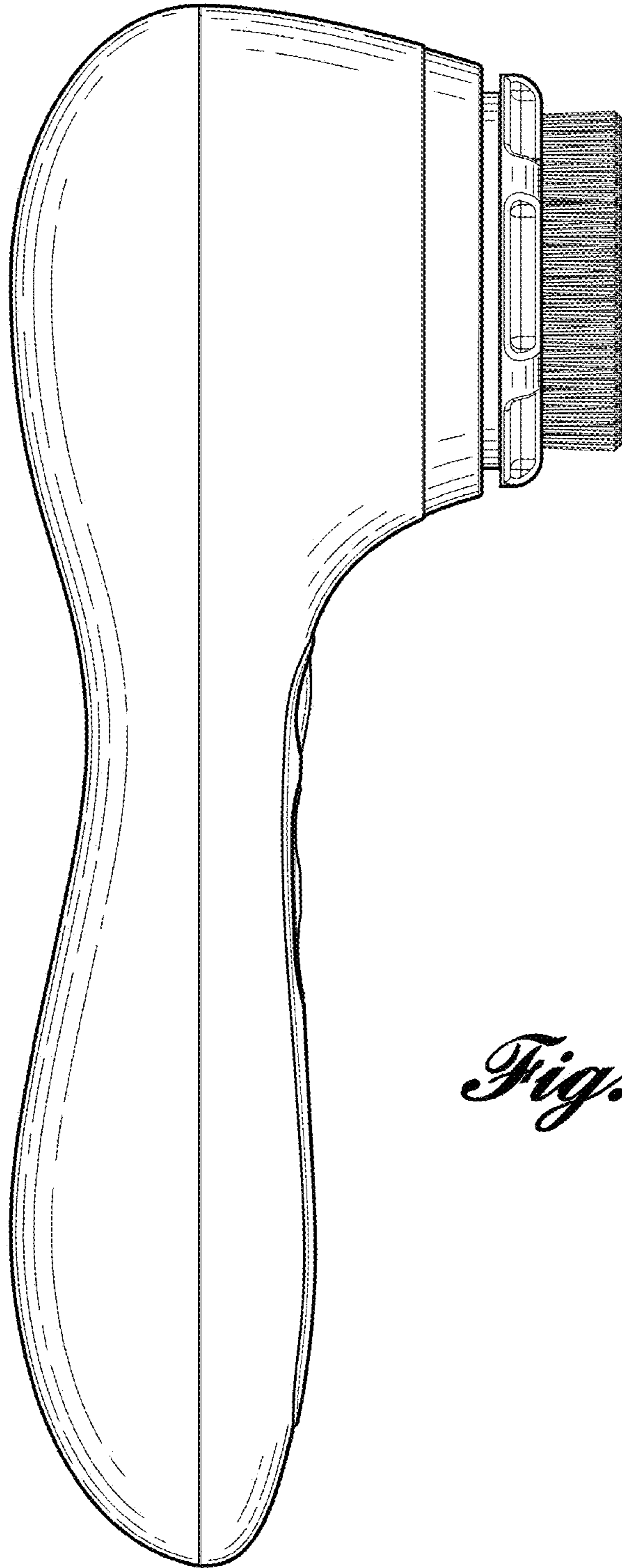


Fig. 6.

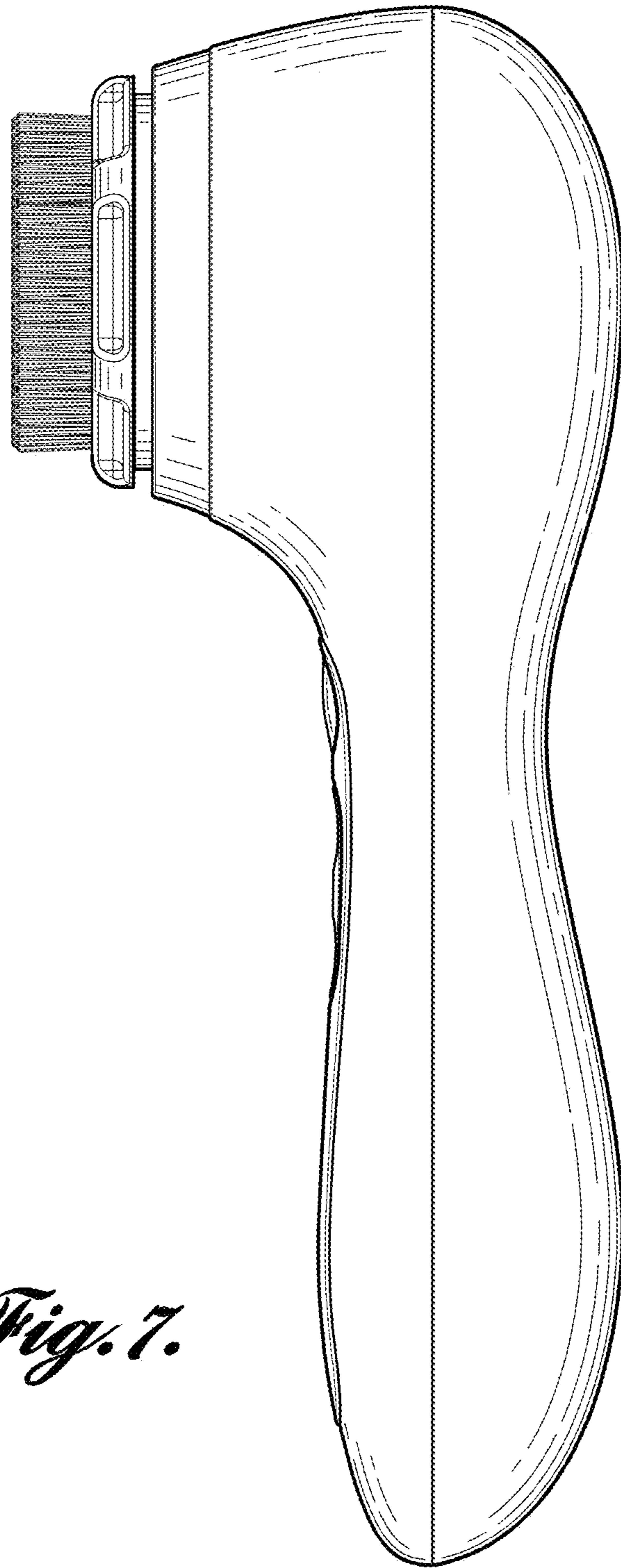


Fig. 7.

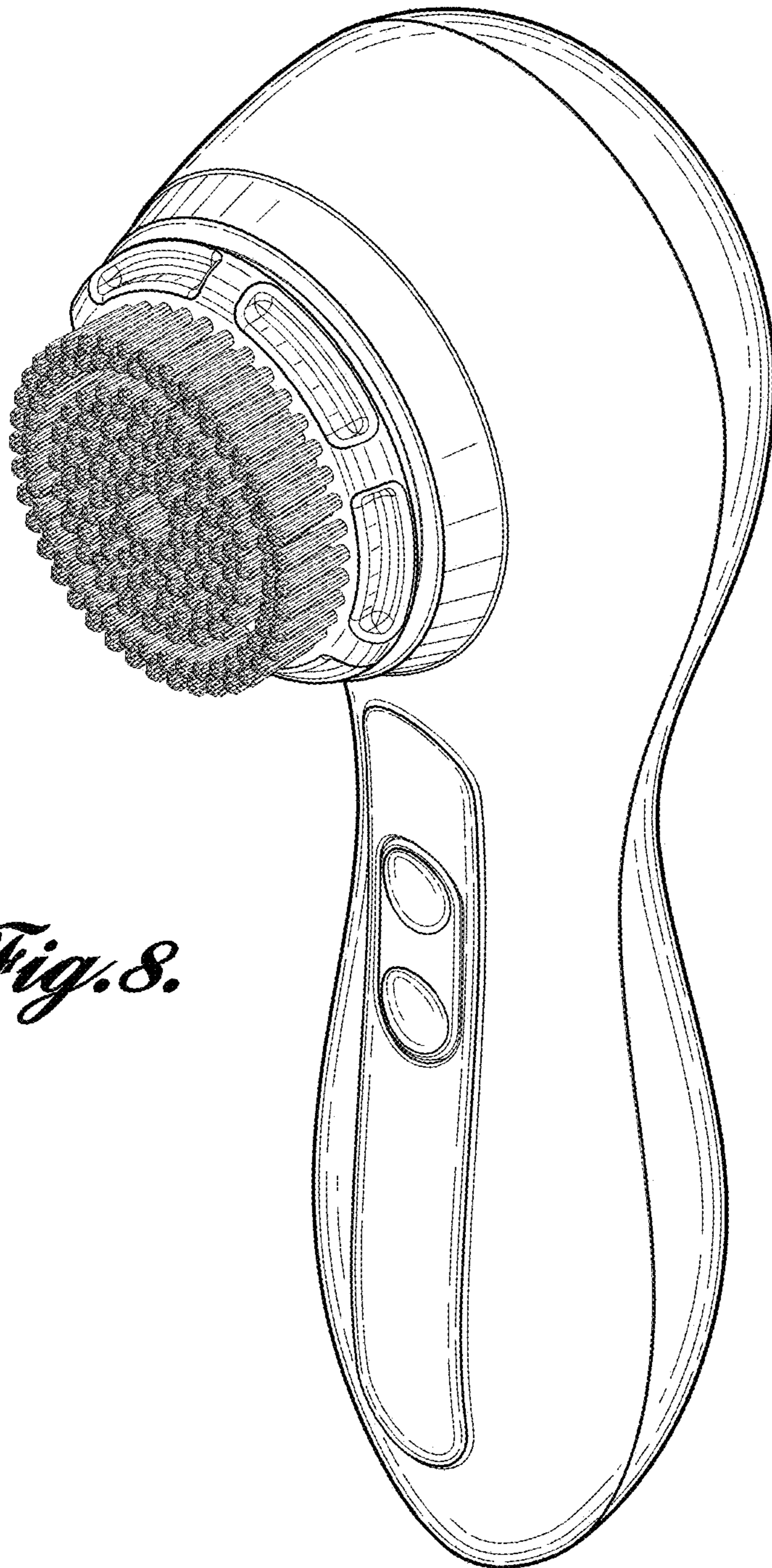


Fig. 8.

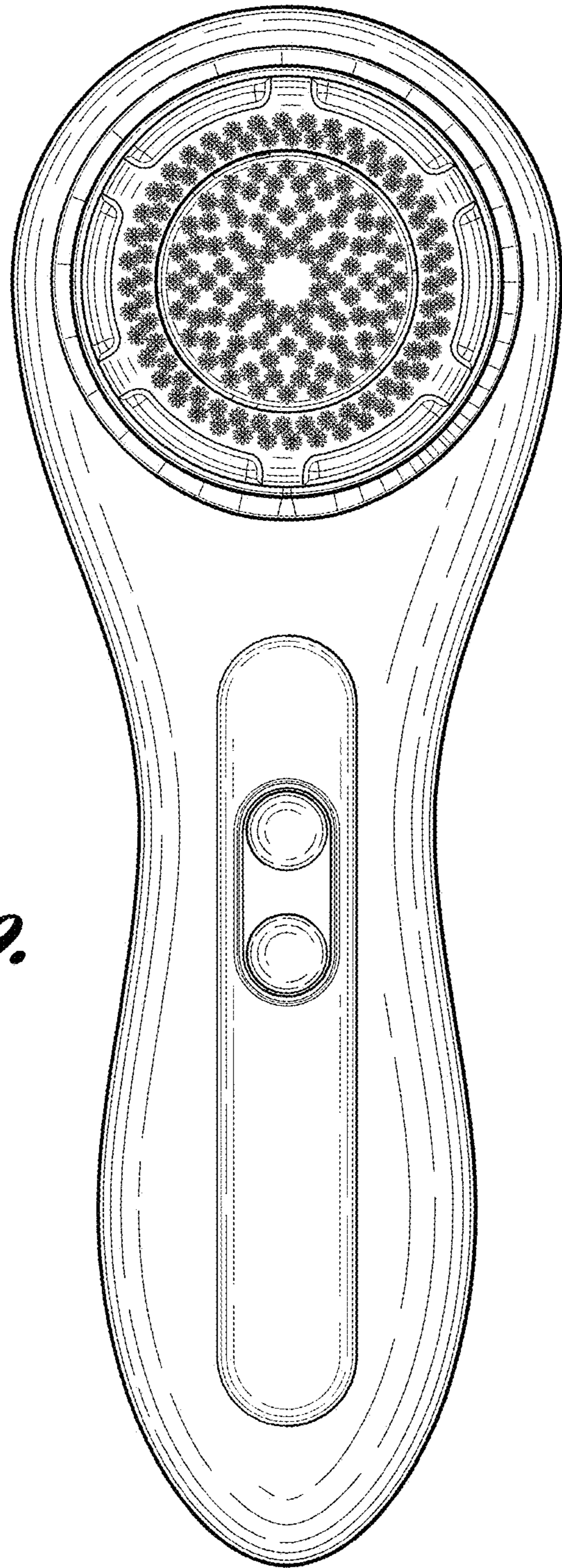


Fig. 9.

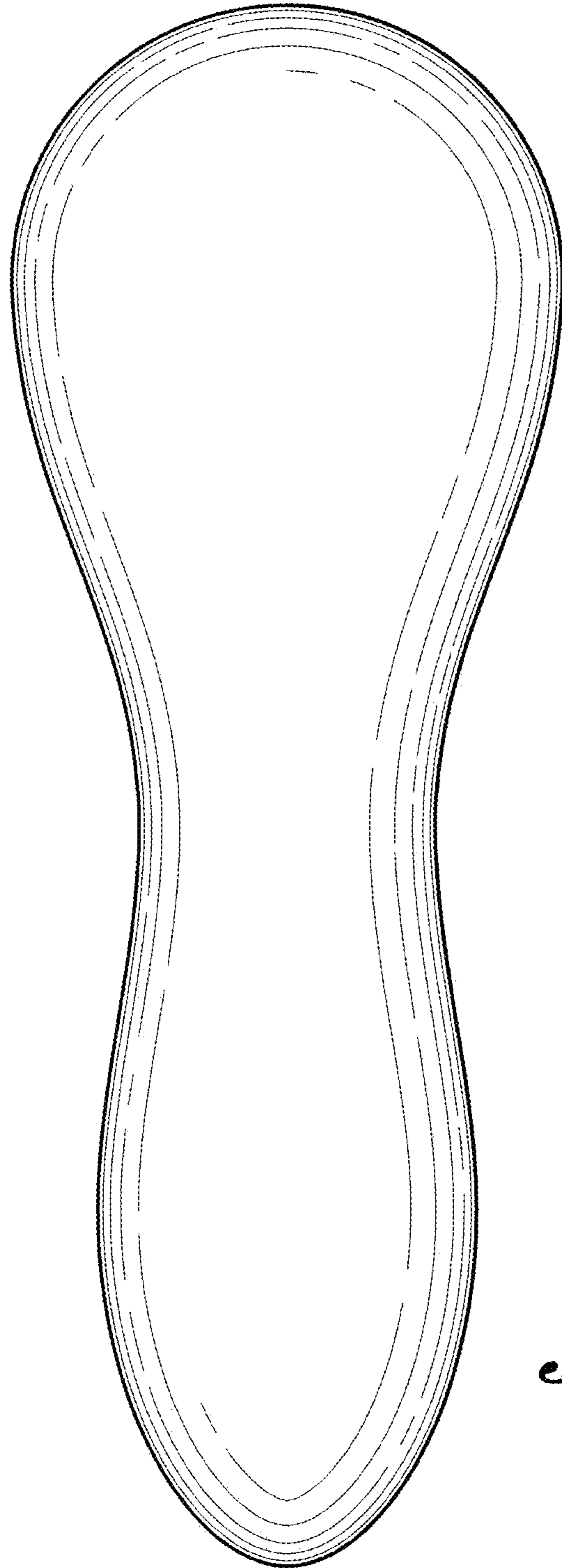


Fig. 10.

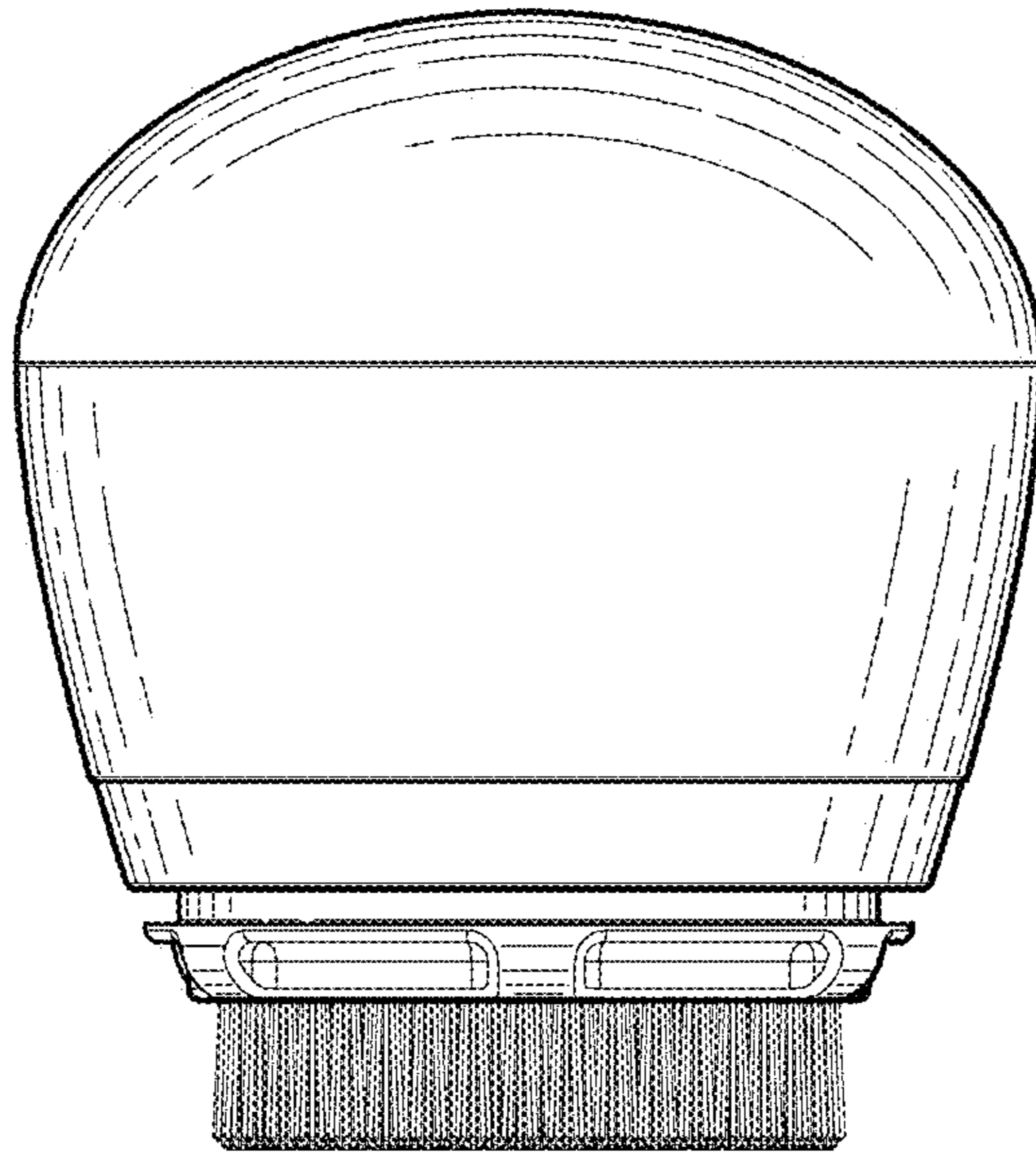


Fig. 11.

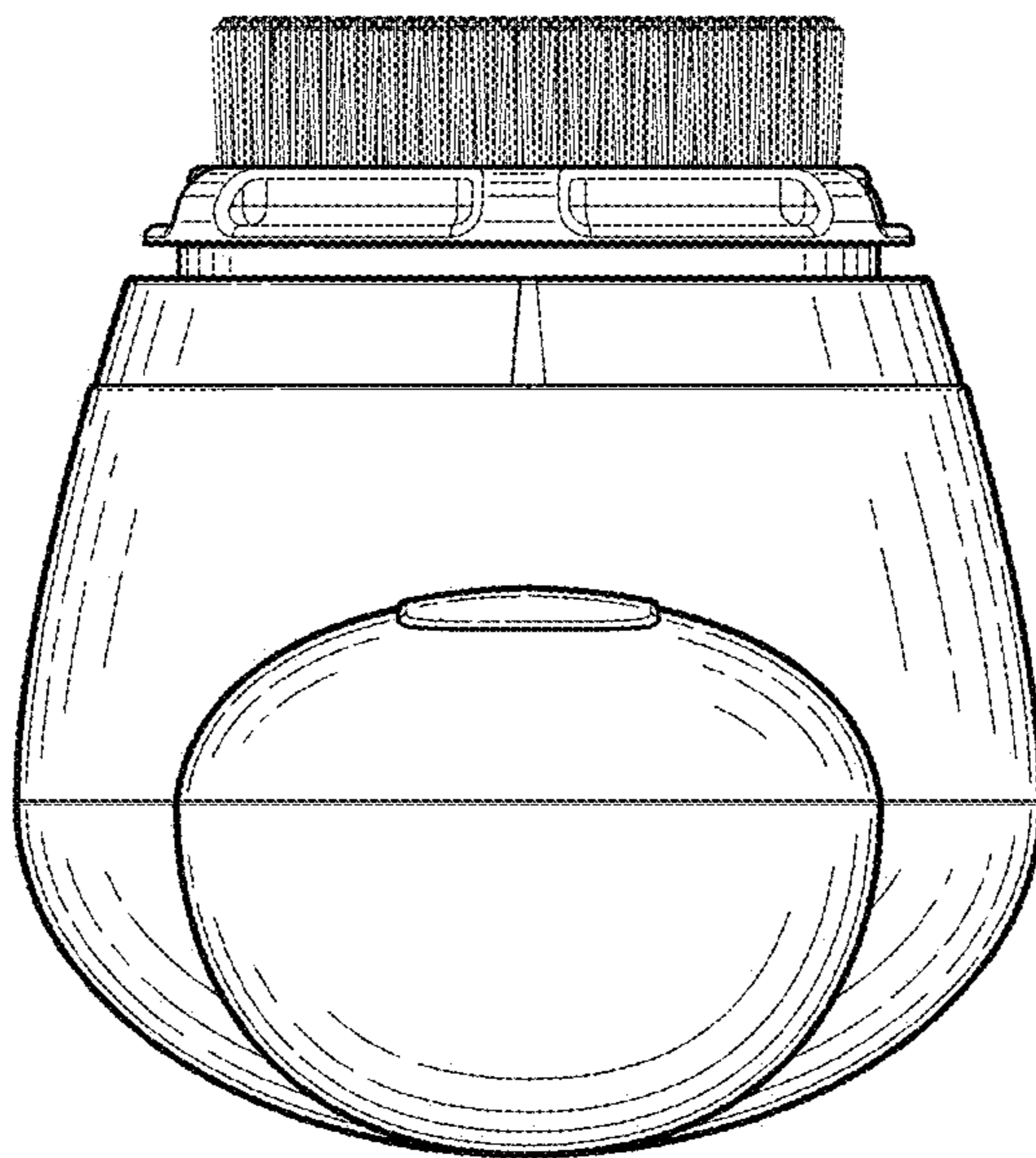


Fig. 12.

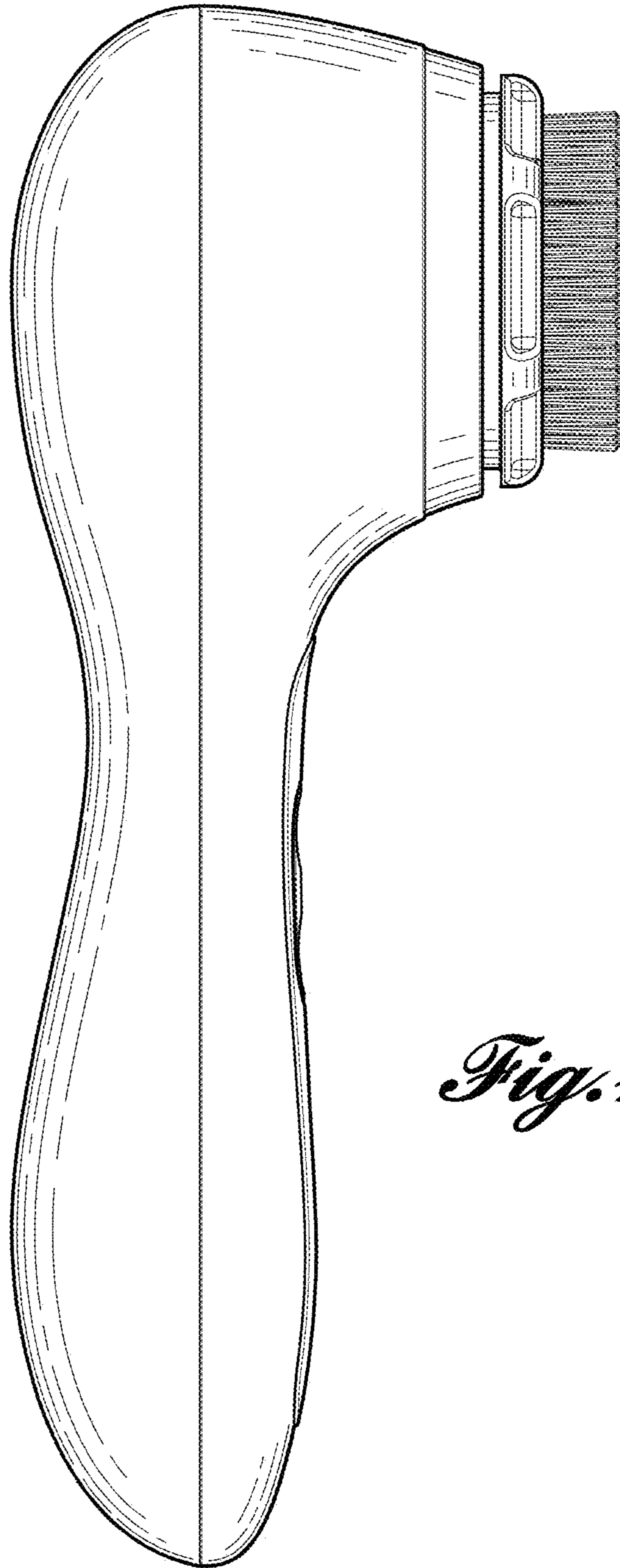


Fig. 13.

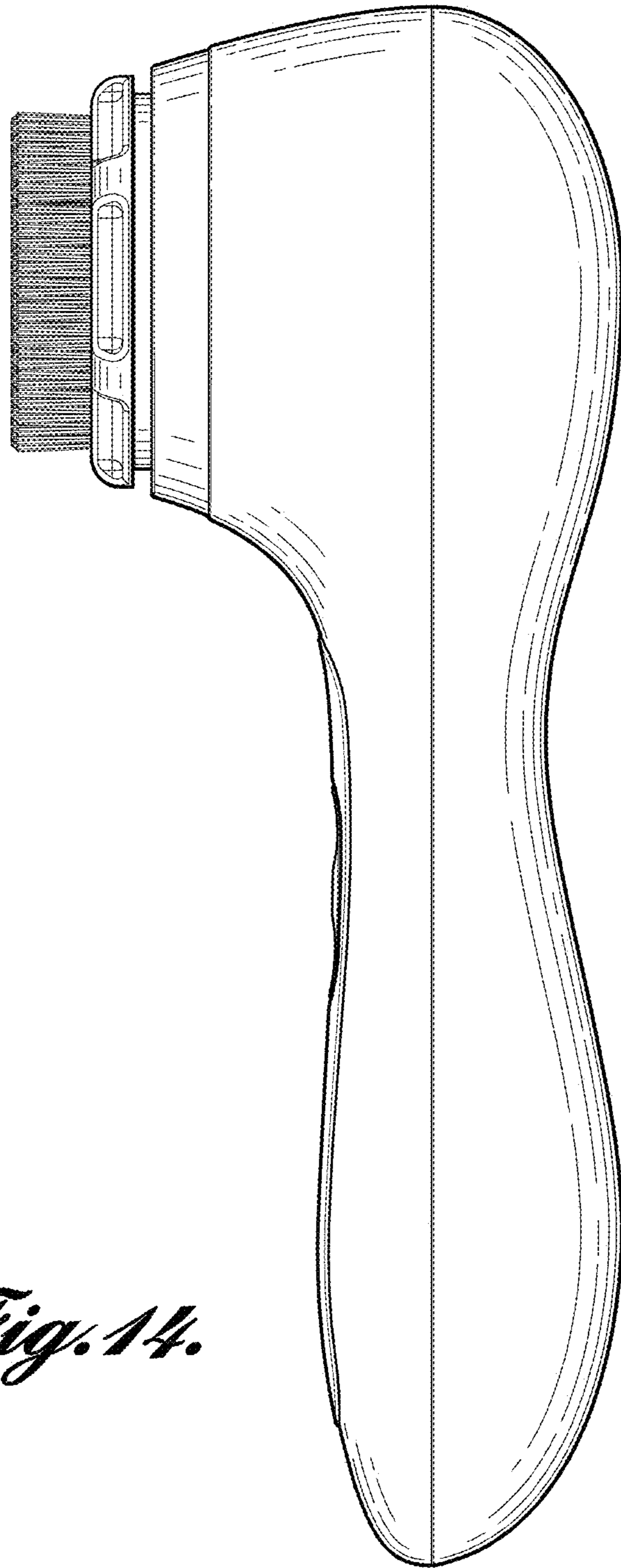


Fig. 14.

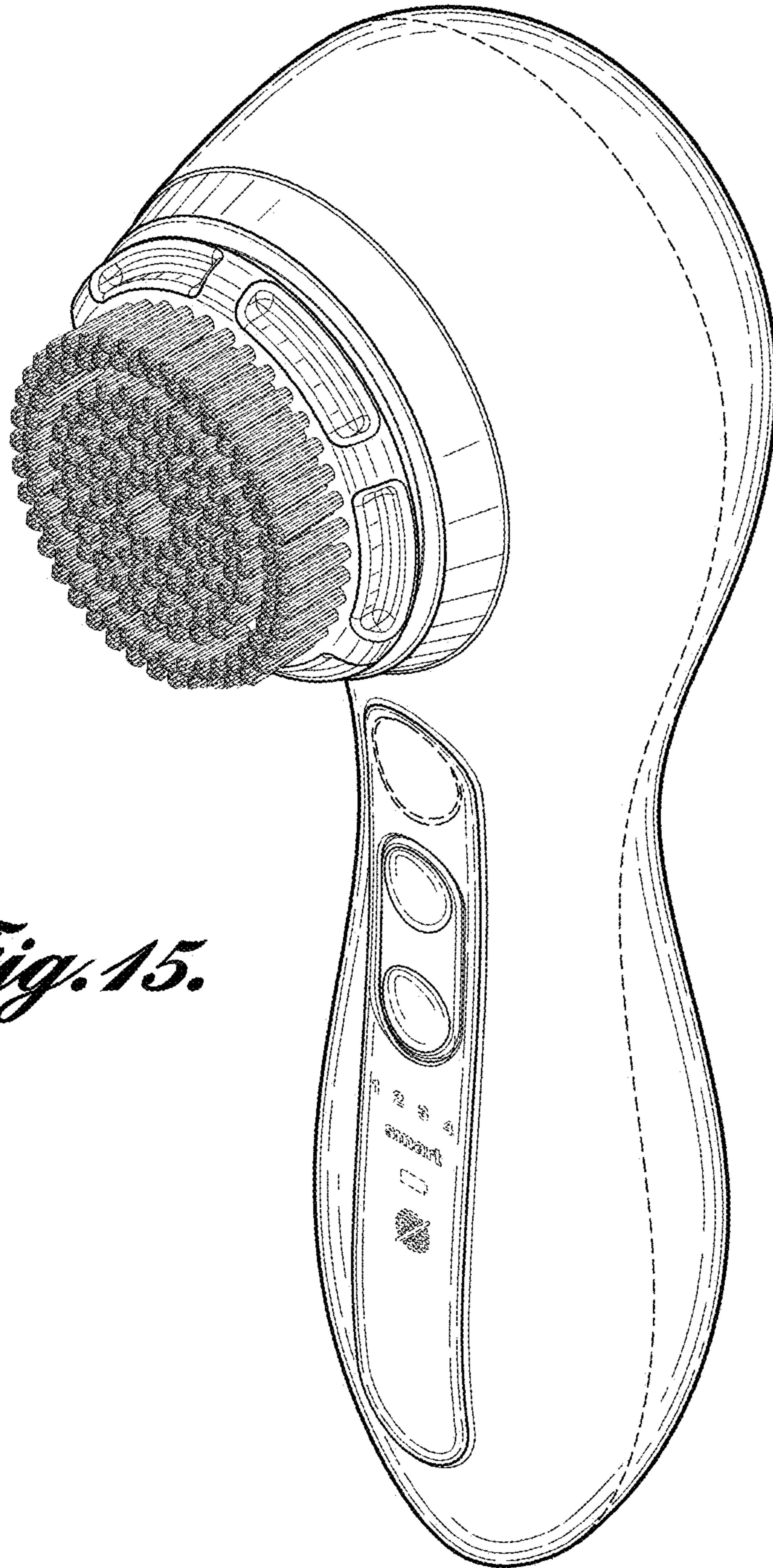


Fig. 15.

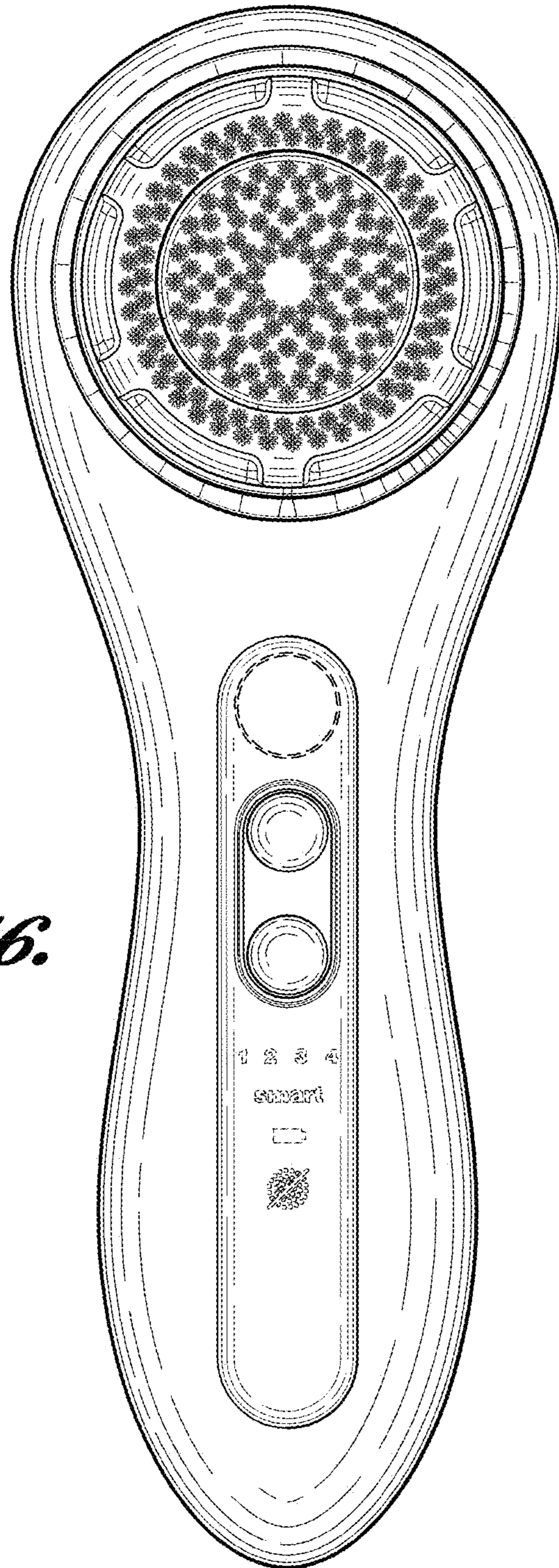


Fig. 16.

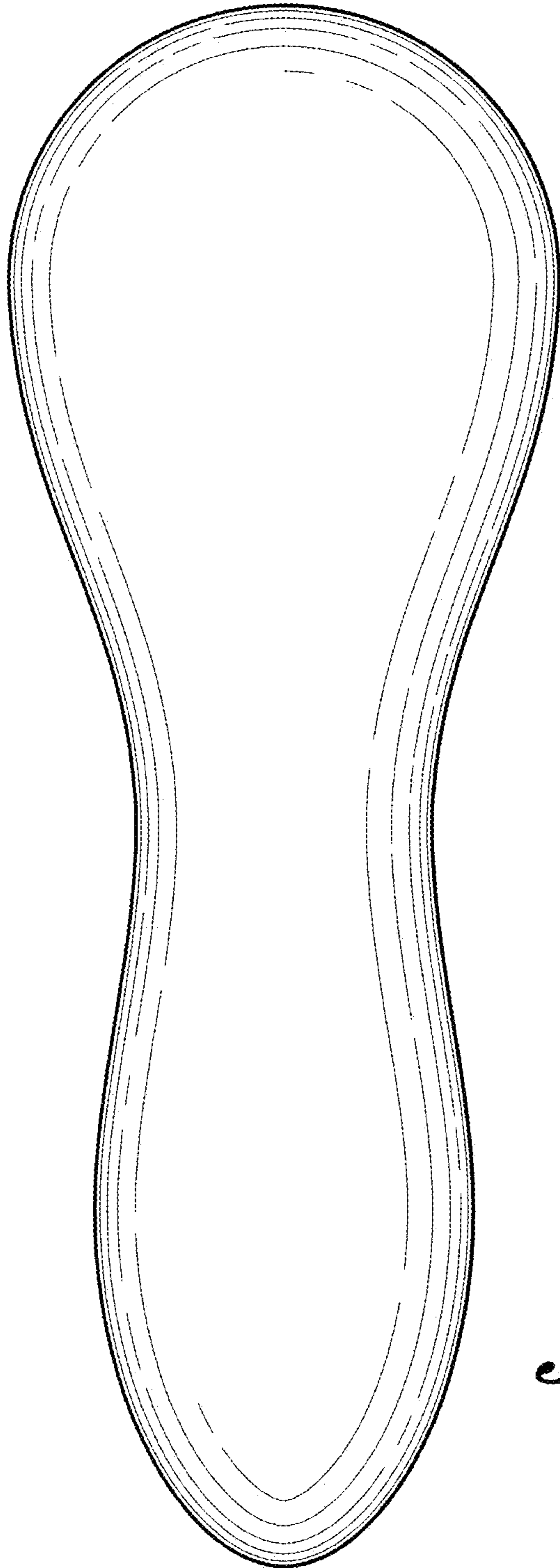


Fig. 17.

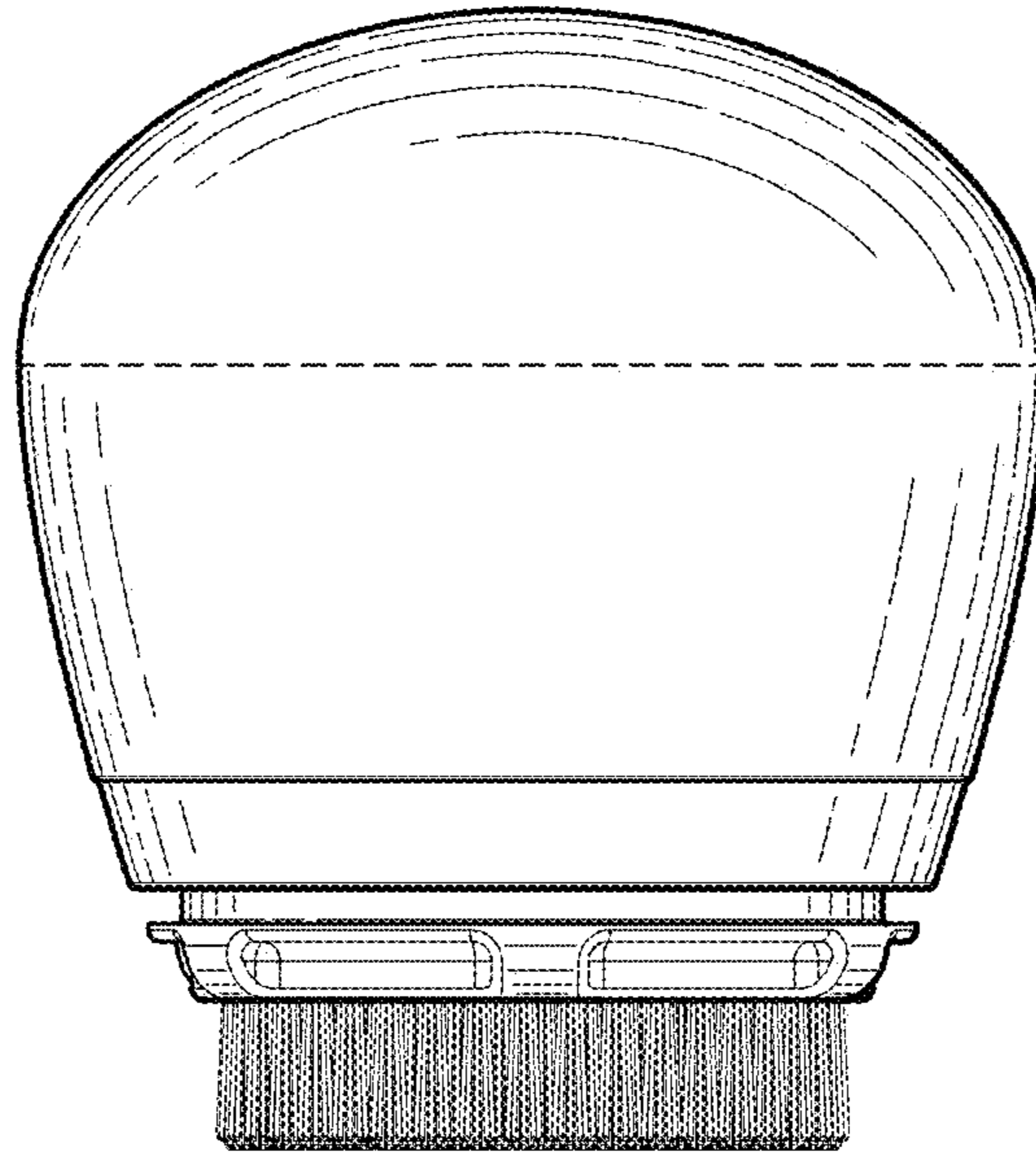


Fig. 18.

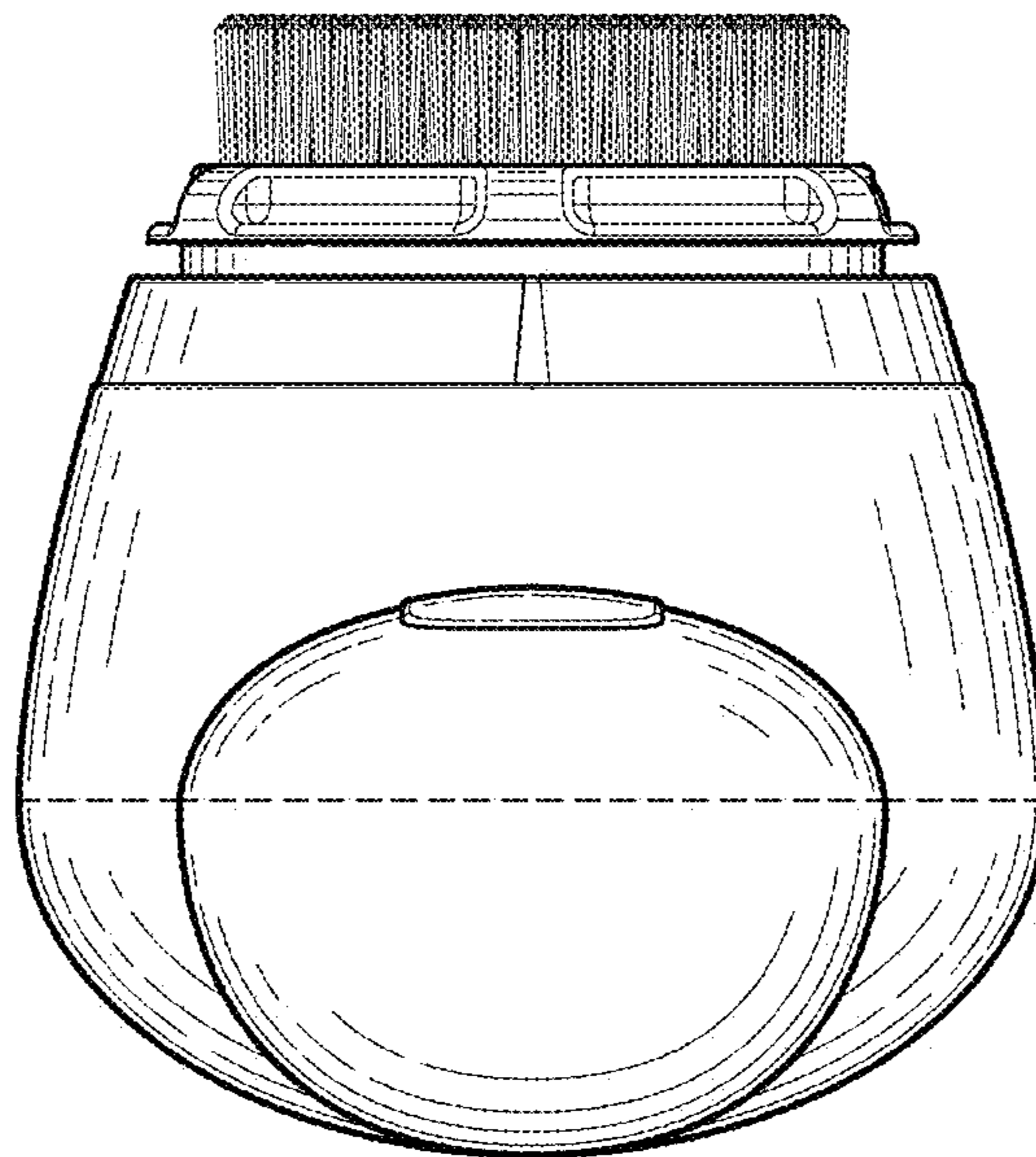


Fig. 19.

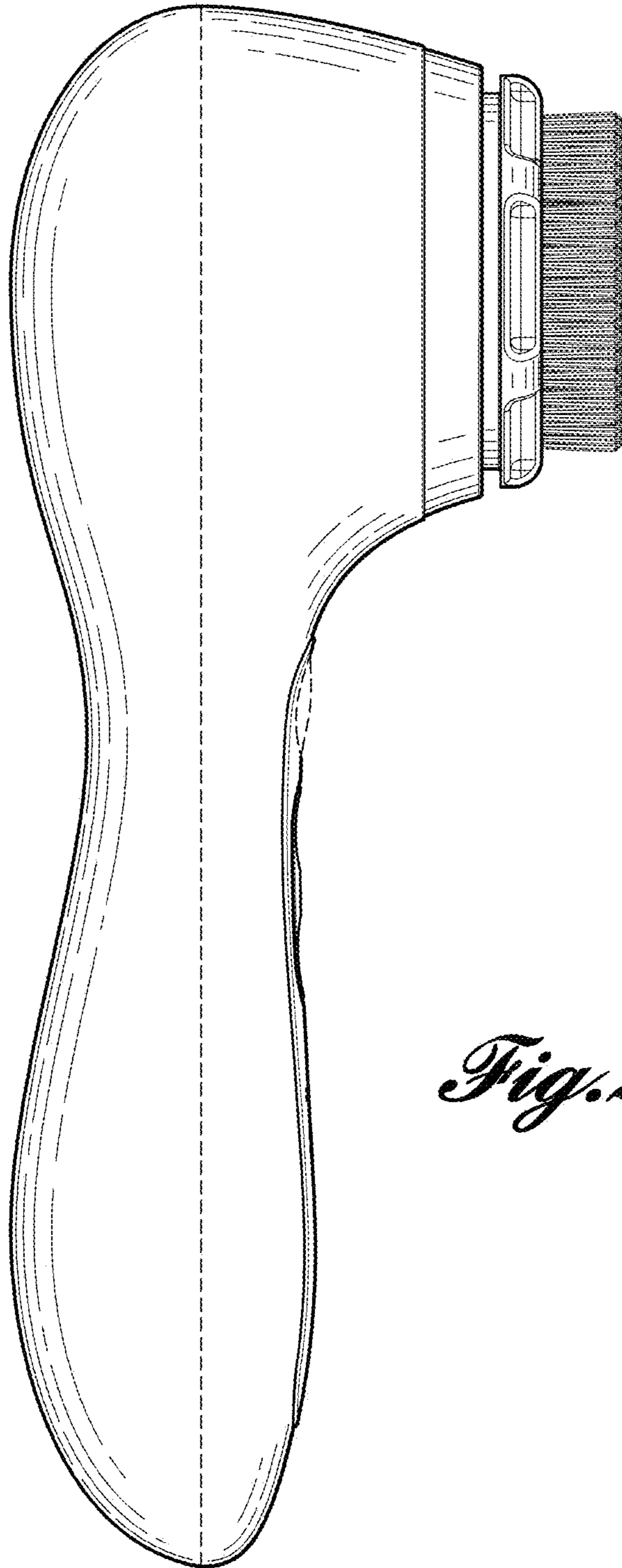


Fig. 20.

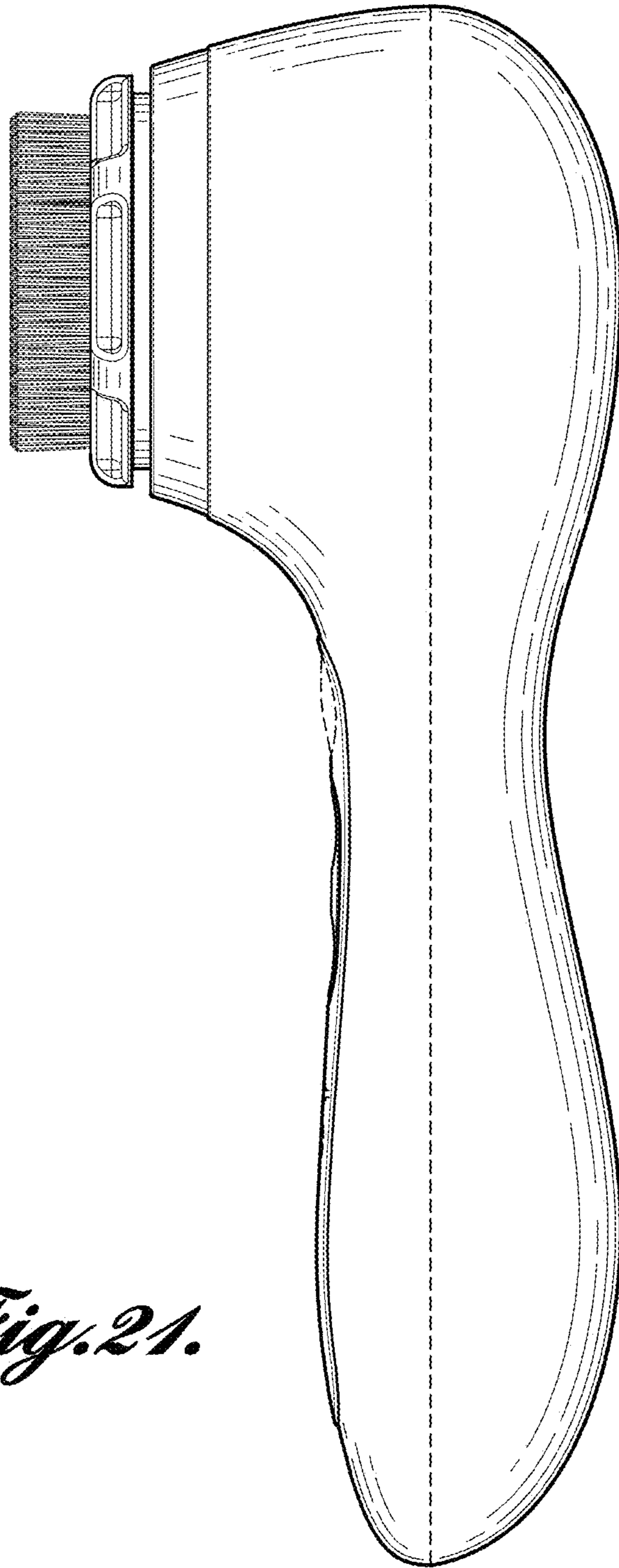


Fig. 21.