



US00D715551S

(12) **United States Design Patent**
Williams et al.

(10) **Patent No.:** **US D715,551 S**
(45) **Date of Patent:** **** Oct. 21, 2014**

(54) **TRAY**
(71) Applicant: **S.C. Johnson & Son, Inc.**, Racine, WI (US)
(72) Inventors: **Neil P. Williams**, Racine, WI (US); **Christopher Conley**, Kenosha, WI (US); **Jo Anthony Sasota**, Milwaukee, WI (US); **Chrysoula Myrto Nigl**, Highland Park, IL (US); **Heather Harwood**, Oak Creek, WI (US); **Christopher Alan Harris**, Madison, WI (US); **Christopher T. Strahm**, Deforest, WI (US)

(73) Assignee: **S.C. Johnson & Son, Inc.**, Racine, WI (US)

(**) Term: **14 Years**

(21) Appl. No.: **29/482,510**

(22) Filed: **Feb. 19, 2014**

(51) **LOC (10) Cl.** **03-01**

(52) **U.S. Cl.**
USPC **D3/308**

(58) **Field of Classification Search**
USPC D6/524, 707.16, 704; D3/304, 307, D3/308, 309, 310, 311, 313, 315; 206/372, 206/373, 514; D7/701, 706; 220/500, 505, 220/507, 752, 904

See application file for complete search history.

(56) **References Cited**

U.S. PATENT DOCUMENTS

D211,842 S * 7/1968 Vilegi D3/311
3,463,353 A * 8/1969 Peebles 206/514
D255,094 S * 5/1980 Wright D3/311
D272,874 S 3/1984 Cohen
D297,292 S 8/1988 Plymale
D298,712 S 11/1988 Mattei
D307,967 S * 5/1990 Lanius D3/309

D309,971 S * 8/1990 Quong D3/311
D329,561 S 9/1992 Nyorkor
D343,713 S * 1/1994 Barber D3/308
D364,039 S * 11/1995 Kruger D3/315
D413,419 S 8/1999 Arbak et al.
D414,064 S 9/1999 Shafik
D421,169 S 2/2000 Demore et al.
D425,744 S 5/2000 McGuire
D450,964 S 11/2001 Johnson
D471,393 S 3/2003 Hutchinson
D477,483 S 7/2003 Brown et al.
D482,920 S 12/2003 Libman et al.
D483,164 S 12/2003 Lin
D484,292 S 12/2003 Lin
D488,902 S 4/2004 Yang et al.
D491,404 S 6/2004 Dotterman et al.
D493,590 S 7/2004 Chen
D493,994 S 8/2004 Belt et al.
D495,182 S 8/2004 Vitantonio et al.
D500,223 S 12/2004 Libman et al.
D500,618 S 1/2005 Nagoya
D501,347 S 2/2005 Conway et al.
D501,728 S 2/2005 Conway et al.

(Continued)

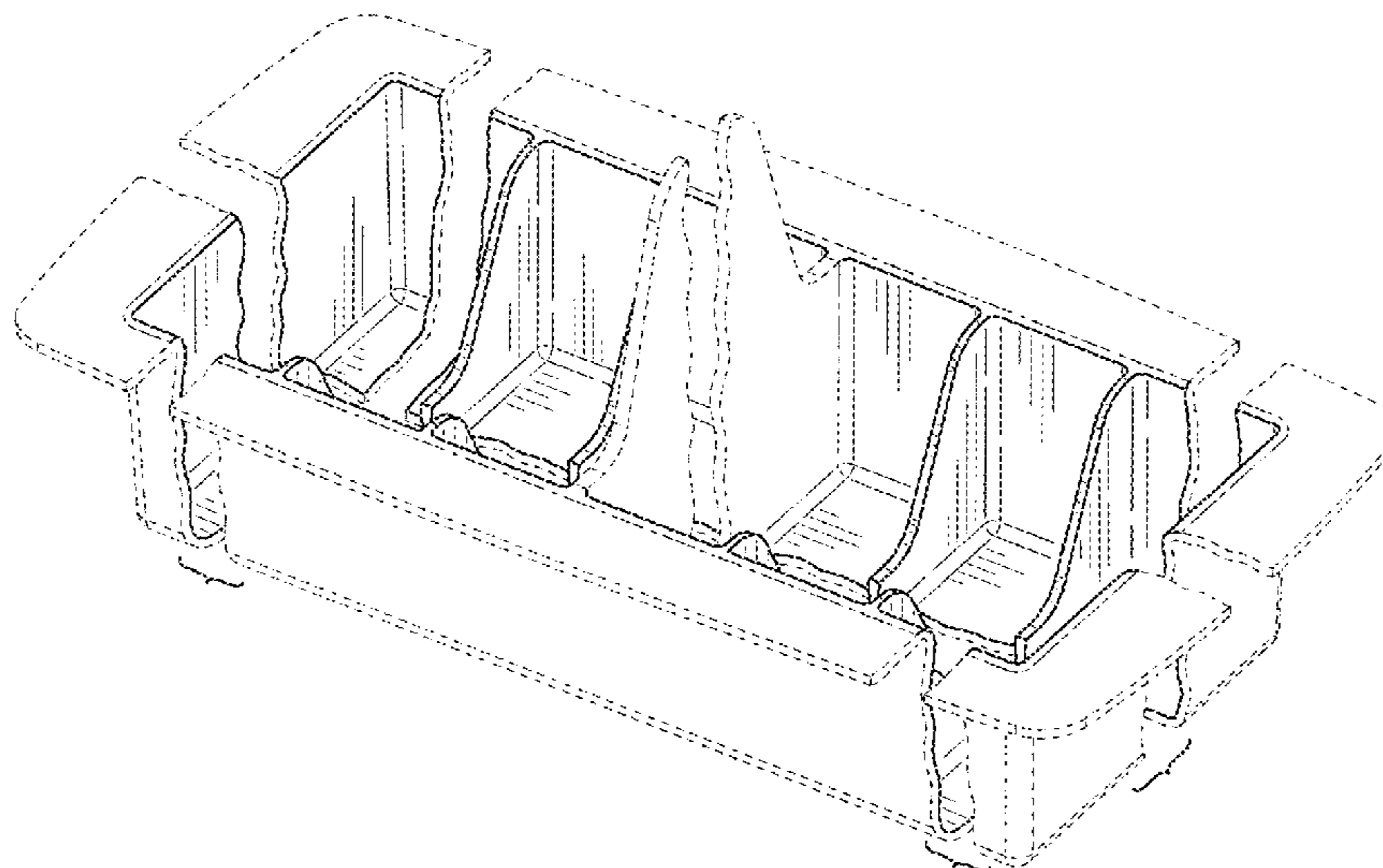
Primary Examiner — Brian N Vinson

(57) **CLAIM**
The ornamental design for a tray, as shown and described.

DESCRIPTION

FIG. 1 is a top, front, right perspective view of a tray our new design;
FIG. 2 is a front view thereof;
FIG. 3 is a rear view thereof;
FIG. 4 is a right side view thereof;
FIG. 5 is a left side view thereof;
FIG. 6 is a top view thereof; and,
FIG. 7 is a bottom view thereof.
The broken lines represent unclaimed portions of the tray, and no claim is made to the dimensions between broken away edges.

1 Claim, 4 Drawing Sheets



(56)

References Cited

U.S. PATENT DOCUMENTS

D502,002 S	2/2005	Conway et al.	D588,365 S	3/2009	Conway et al.	
D502,324 S	3/2005	Conway et al.	D589,734 S	4/2009	Weis et al.	
7,044,299 B2	5/2006	Nagoya	D596,820 S	7/2009	Yang et al.	
7,059,008 B2	6/2006	Morgan et al.	7,581,276 B2	9/2009	Endo et al.	
D525,467 S	7/2006	Michelson et al.	D603,119 S	10/2009	Yang et al.	
D528,333 S	9/2006	Wildauer et al.	7,650,663 B2	1/2010	Michaels et al.	
D532,564 S	11/2006	Neumann et al.	7,669,715 B2	3/2010	Wang	
7,159,265 B2	1/2007	Soller et al.	7,827,648 B2	11/2010	Soller et al.	
D547,987 S	8/2007	Yang et al.	D629,635 S	12/2010	Raven	
D560,630 S	1/2008	Mitchell et al.	D636,960 S	4/2011	Duvigneau	
7,316,046 B2	1/2008	Michaels et al.	D644,390 S	8/2011	Smeets et al.	
D566,922 S	4/2008	Lee	D649,786 S *	12/2011	Lipfert et al.	D3/308
D569,105 S *	5/2008	Van Hoorn	D652,189 S	1/2012	Morand	
D575,086 S	8/2008	Savran	D660,630 S	5/2012	Soller et al.	
D578,266 S	10/2008	Yang et al.	D672,591 S	12/2012	Soller et al.	
			D688,589 S *	8/2013	Hung et al.	D3/315
			D688,870 S *	9/2013	Levie	D3/311

* cited by examiner

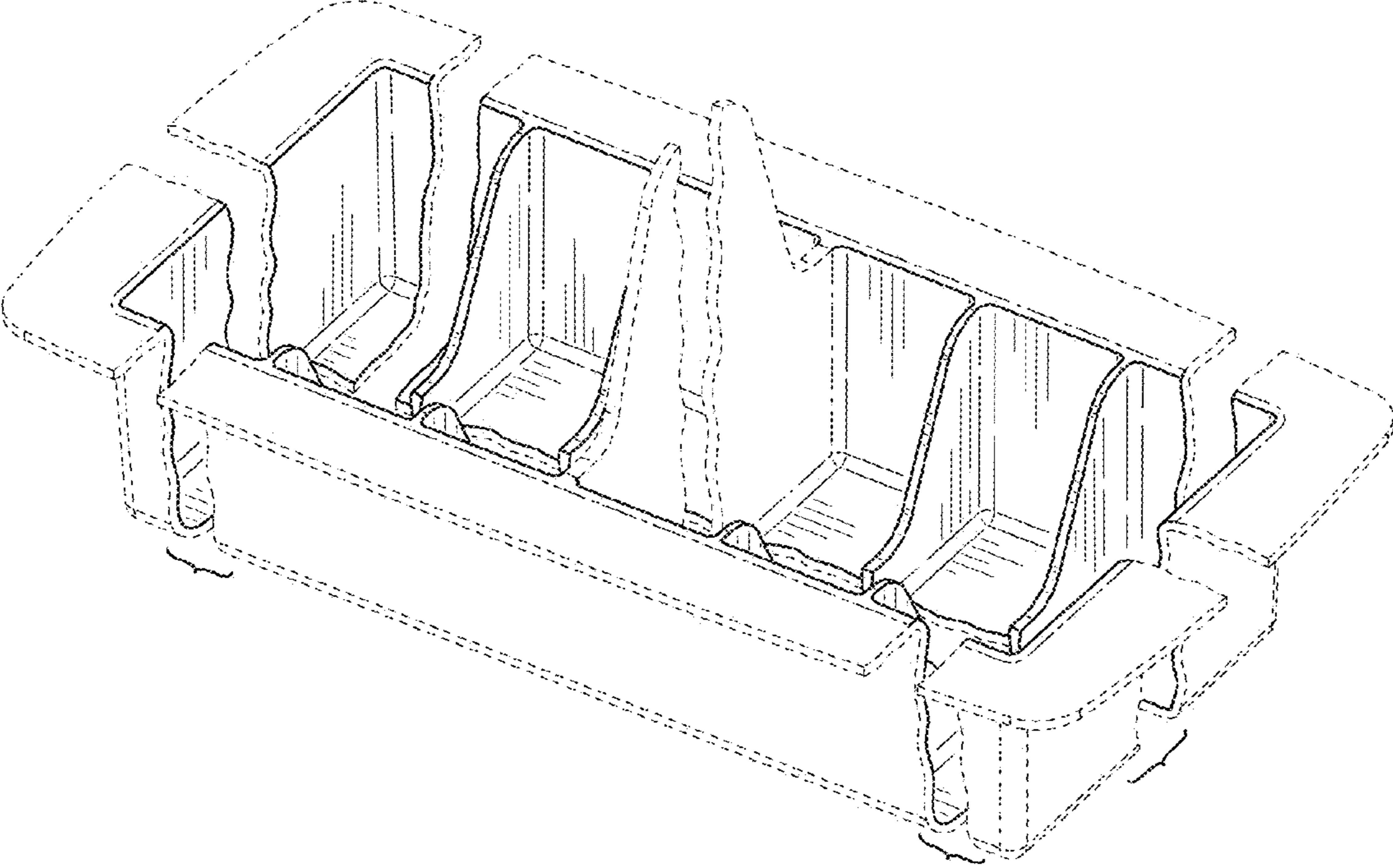


FIG. 1

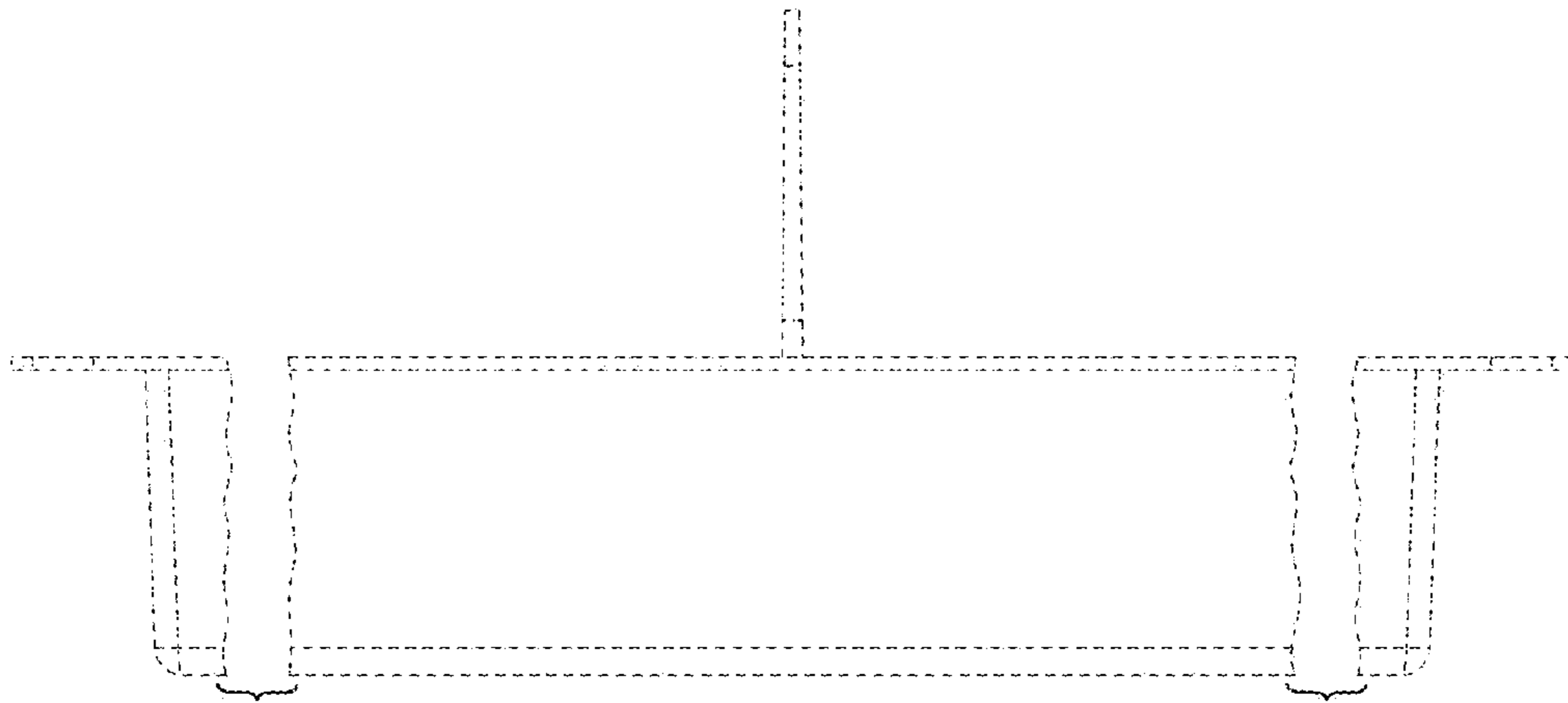


FIG. 2

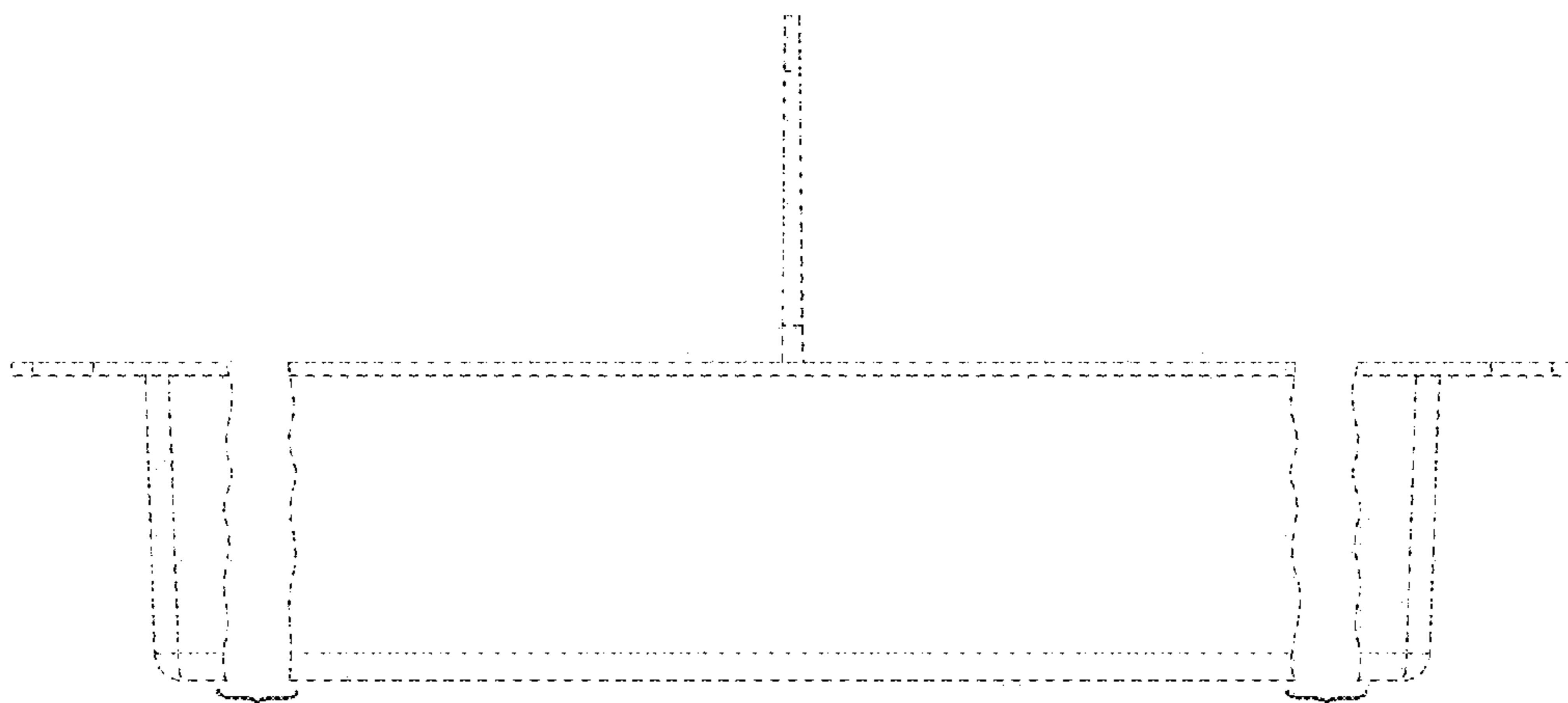


FIG. 3

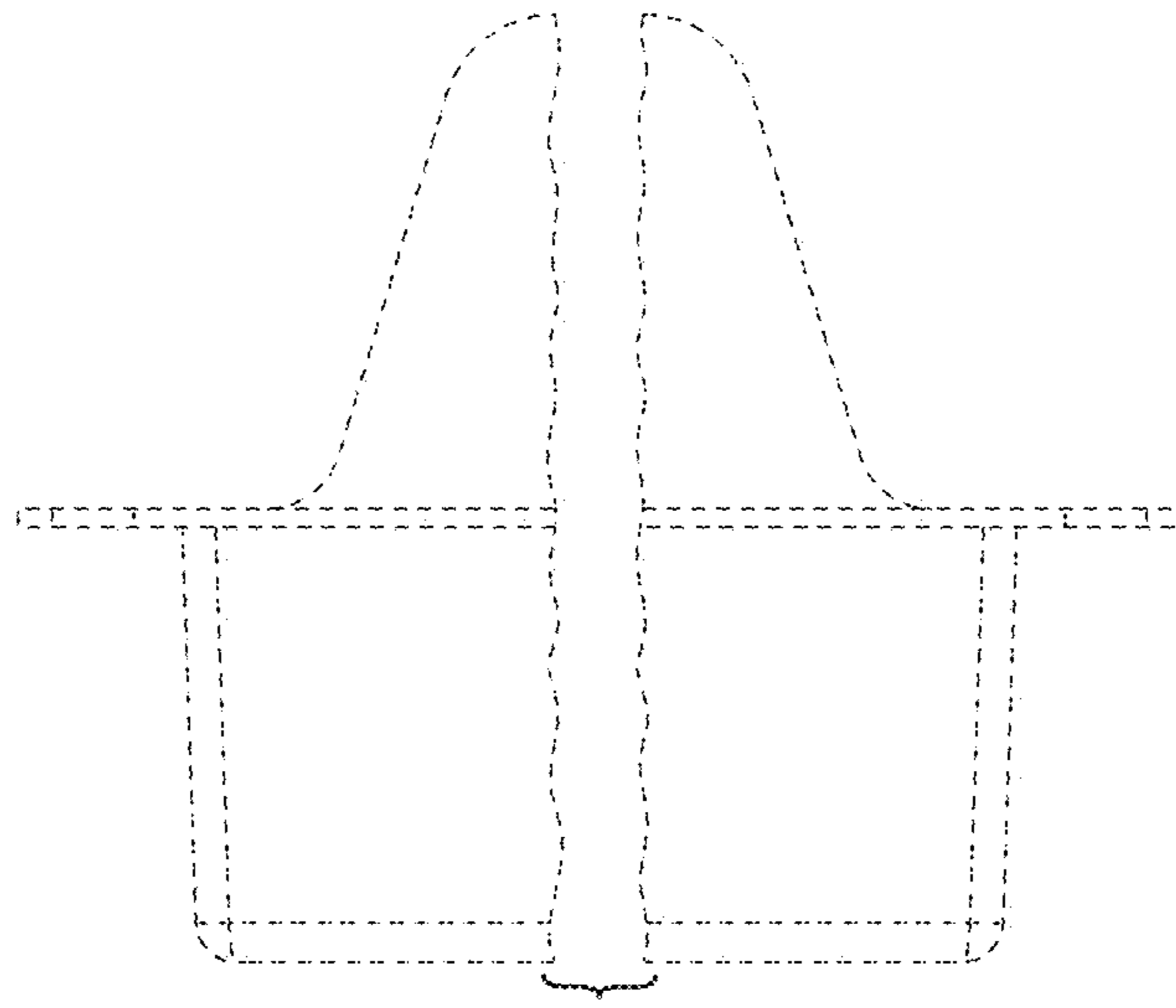


FIG. 4

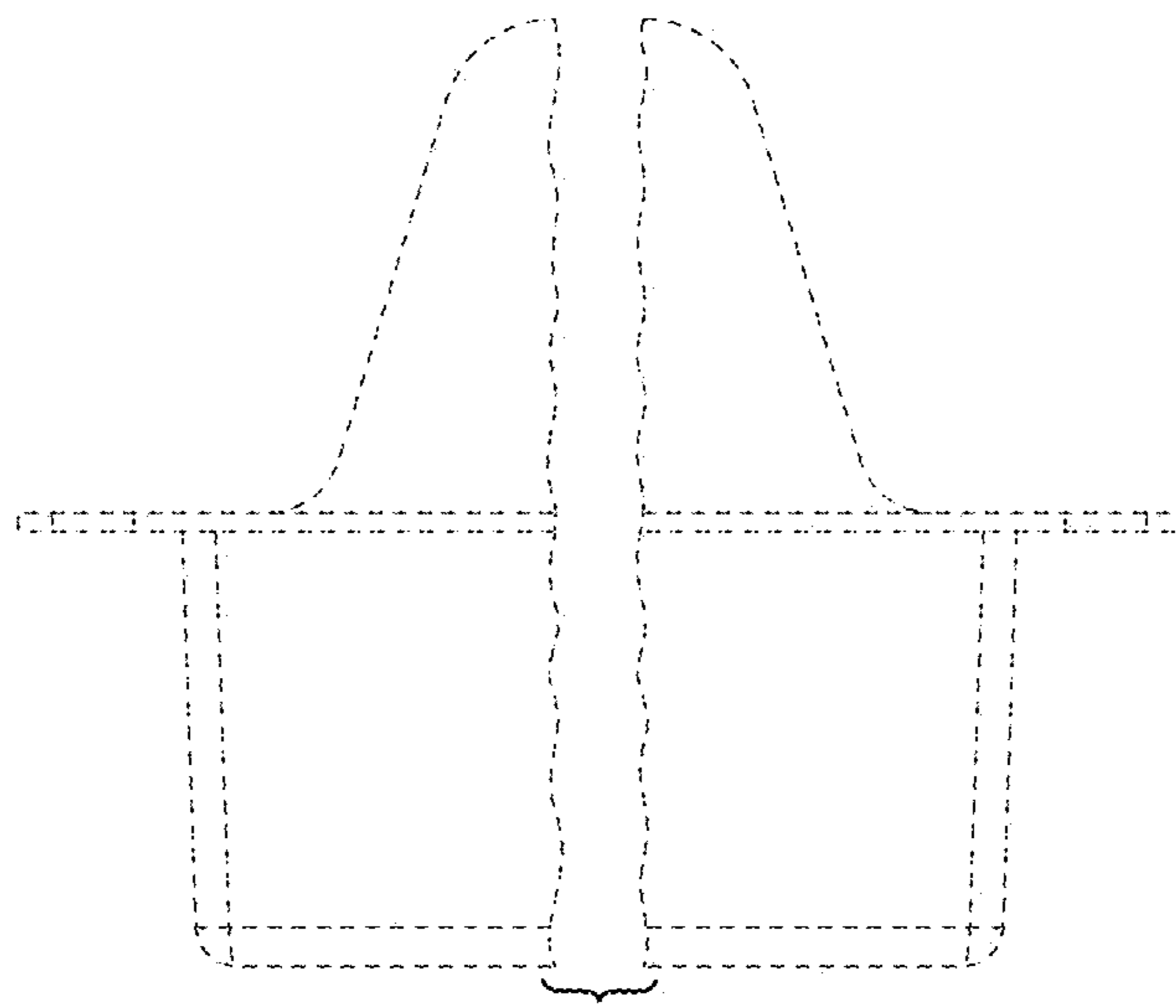


FIG. 5

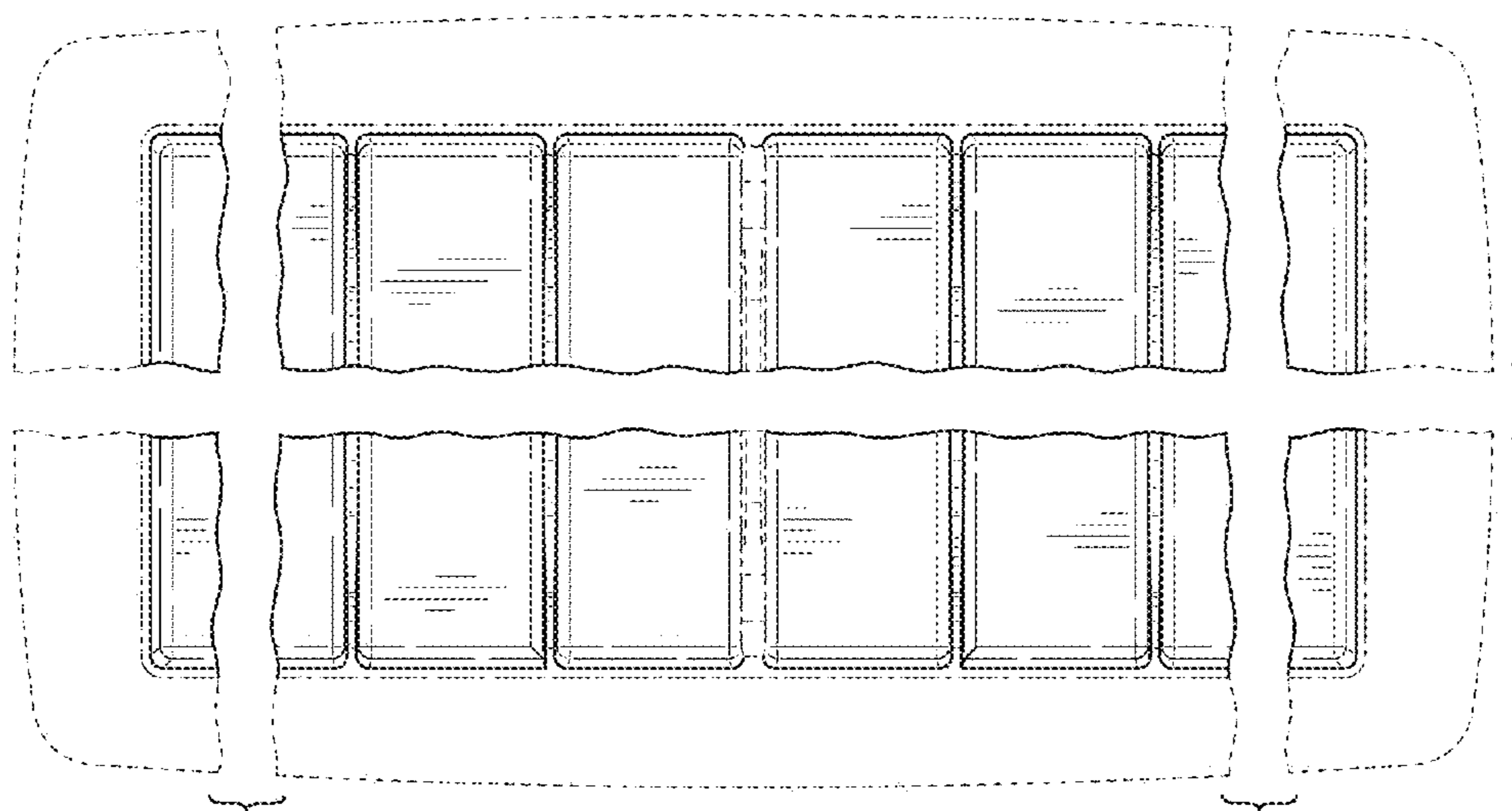


FIG. 6

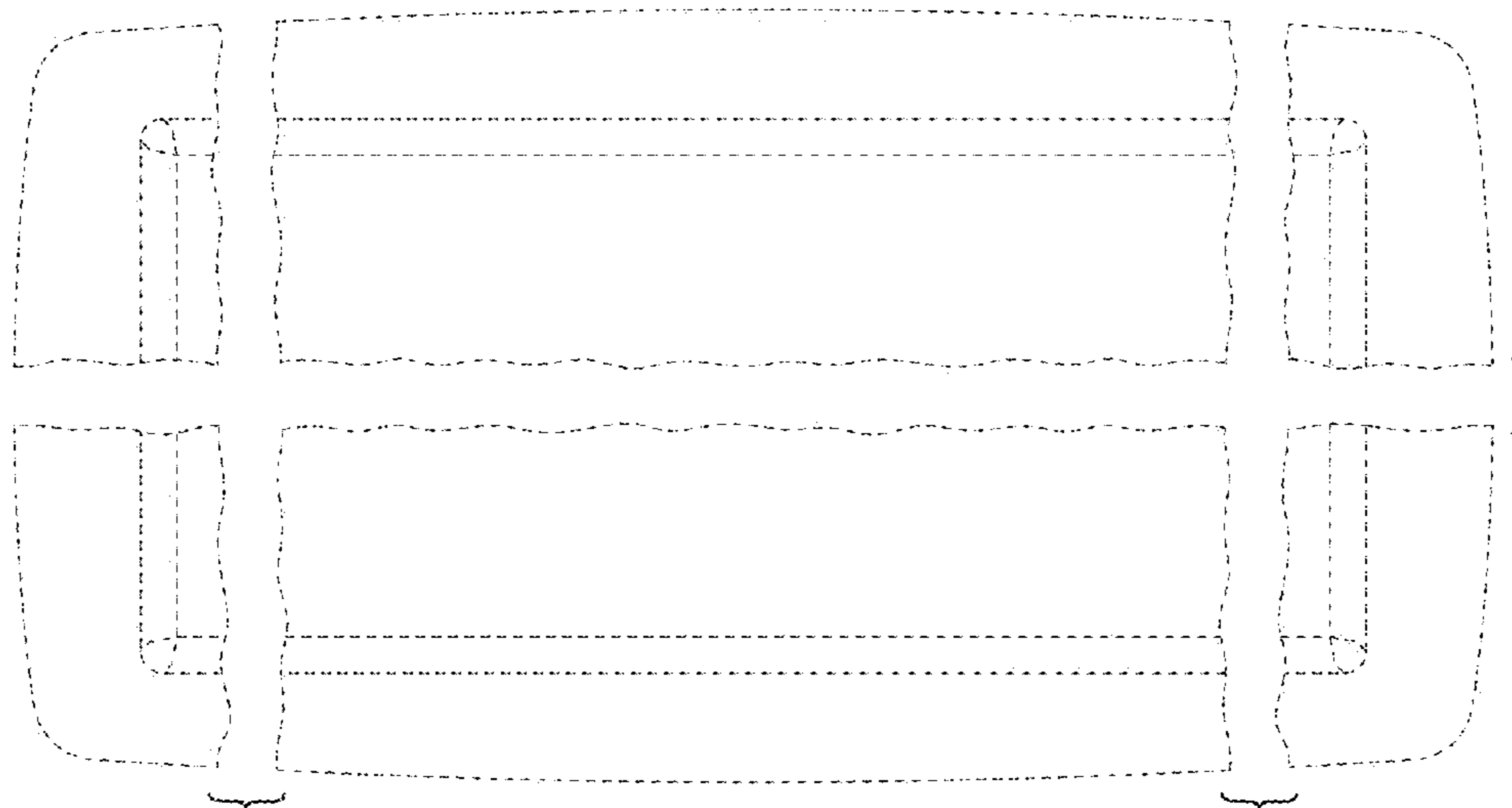


FIG. 7