



US00D715550S

(12) **United States Design Patent**
Williams et al.

(10) **Patent No.:** **US D715,550 S**

(45) **Date of Patent:** **** Oct. 21, 2014**

(54) **TRAY**

(56) **References Cited**

(71) Applicants: **Neil P. Williams**, Racine, WI (US);
Christopher Conley, Milwaukee, WI
(US); **Jo Anthony Sasota**, Milwaukee,
WI (US); **Chrysoula Myrto Nigl**,
Highland Park, IL (US); **Heather**
Harwood, Oak Creek, WI (US);
Christopher Alan Harris, Madison, WI
(US); **Christopher T. Strahm**, Deforest,
WI (US)

U.S. PATENT DOCUMENTS

D211,842	S	*	7/1968	Vilegi	D3/311
3,463,353	A	*	8/1969	Peebles	206/514
D255,094	S	*	5/1980	Wright	D3/311
D272,874	S		3/1984	Cohen		
D297,292	S		8/1988	Plymale		
D298,712	S		11/1988	Mattei		
D307,967	S	*	5/1990	Lanius	D3/309
D309,971	S	*	8/1990	Quong	D3/311
D329,561	S		9/1992	Nyorkor		
D343,713	S	*	1/1994	Barber	D3/308
D364,039	S	*	11/1995	Kruger	D3/315
D413,419	S		8/1999	Arbak et al.		
D414,064	S		9/1999	Shafik		
D421,169	S		2/2000	Demore et al.		
D425,744	S		5/2000	McGuire		
D450,964	S		11/2001	Johnson		
D471,393	S		3/2003	Hutchinson		
D477,483	S		7/2003	Brown et al.		
D482,920	S		12/2003	Libman et al.		
D483,164	S		12/2003	Lin		
D484,292	S		12/2003	Lin		
D488,902	S		4/2004	Yang et al.		
D491,404	S		6/2004	Dotterman et al.		
D493,590	S		7/2004	Chen		
D493,994	S		8/2004	Belt et al.		

(72) Inventors: **Neil P. Williams**, Racine, WI (US);
Christopher Conley, Milwaukee, WI
(US); **Jo Anthony Sasota**, Milwaukee,
WI (US); **Chrysoula Myrto Nigl**,
Highland Park, IL (US); **Heather**
Harwood, Oak Creek, WI (US);
Christopher Alan Harris, Madison, WI
(US); **Christopher T. Strahm**, Deforest,
WI (US)

(73) Assignee: **S.C. Johnson & Son, Inc.**, Racine, WI
(US)

(**) Term: **14 Years**

(21) Appl. No.: **29/482,483**

(22) Filed: **Feb. 19, 2014**

Related U.S. Application Data

(63) Continuation of application No. 29/462,518, filed on
Aug. 5, 2013, now Pat. No. Des. 702,943.

(51) **LOC (10) Cl.** **03-01**

(52) **U.S. Cl.**
USPC **D3/308**

(58) **Field of Classification Search**
USPC D6/524, 707.16, 704; D3/304, 307,
D3/308, 309, 310, 311, 313, 315; 206/372,
206/373, 514; D7/701, 706; 220/500, 505,
220/507, 752, 904

See application file for complete search history.

(Continued)

Primary Examiner — Brian N Vinson

(57) **CLAIM**

The ornamental design for a tray, as shown and described.

DESCRIPTION

FIG. 1 is a top, front, right perspective view of a tray our new
design;

FIG. 2 is a front view thereof;

FIG. 3 is a rear view thereof;

FIG. 4 is a right side view thereof;

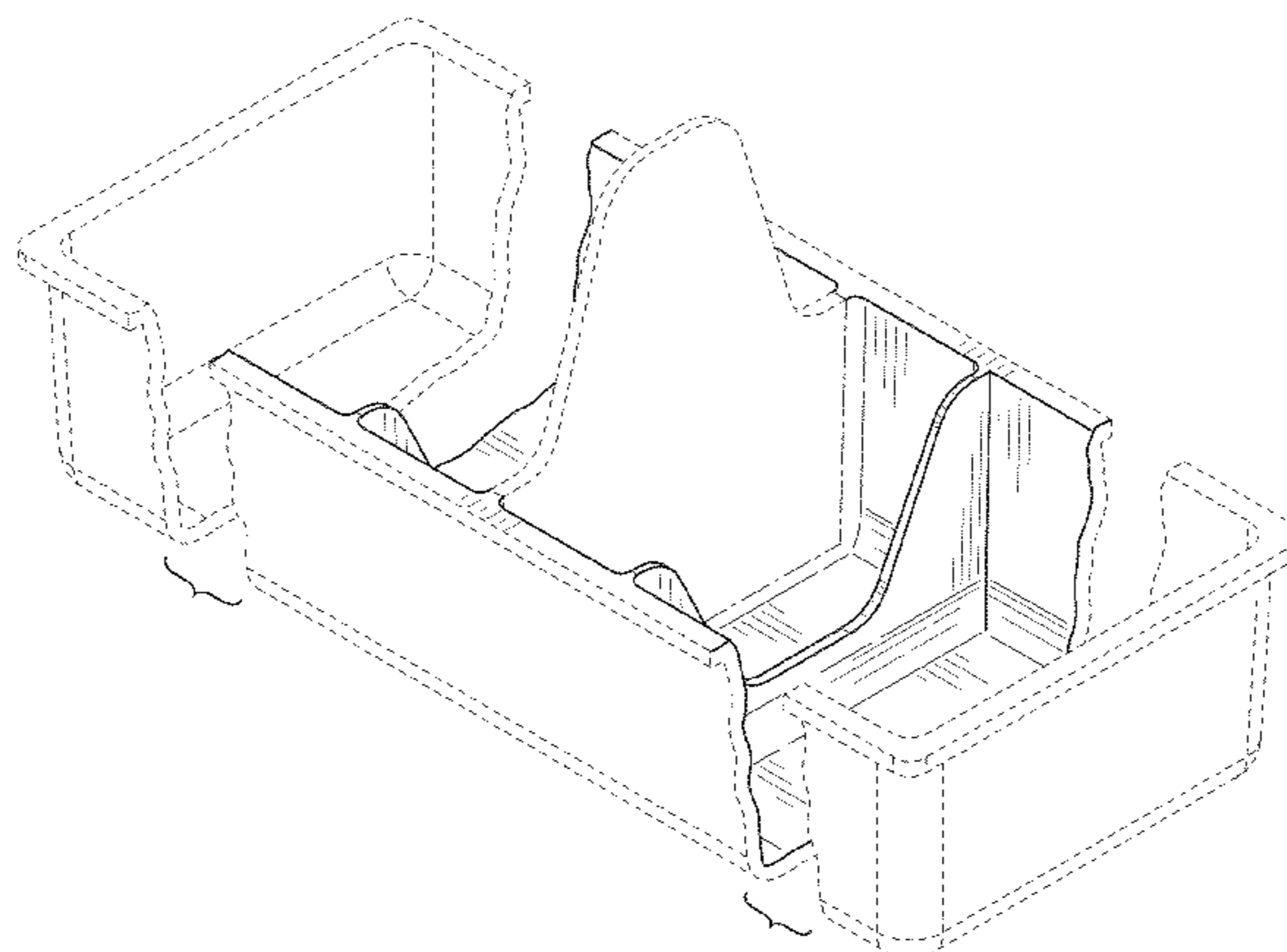
FIG. 5 is a left side view thereof;

FIG. 6 is a top view thereof; and,

FIG. 7 is a bottom view thereof.

The broken lines represent unclaimed portions of the tray, and
the broken away edges indicate no assertion of length beyond
that disclosed.

1 Claim, 4 Drawing Sheets



(56)

References Cited

U.S. PATENT DOCUMENTS

D495,182 S	8/2004	Vitantonio et al.	D569,105 S *	5/2008	Van Hoorn	D3/311
D500,223 S	12/2004	Libman et al.	D575,086 S	8/2008	Savran	
D500,618 S	1/2005	Nagoya	D578,266 S	10/2008	Yang et al.	
D501,347 S	2/2005	Conway et al.	D588,365 S	3/2009	Conway et al.	
D501,728 S	2/2005	Conway et al.	D589,734 S	4/2009	Weis et al.	
D502,002 S	2/2005	Conway et al.	D596,820 S	7/2009	Yang et al.	
D502,324 S	3/2005	Conway et al.	7,581,276 B2	9/2009	Endo et al.	
7,044,299 B2	5/2006	Nagoya	D603,119 S	10/2009	Yang et al.	
7,059,008 B2	6/2006	Morgan et al.	7,650,663 B2	1/2010	Michaels et al.	
D525,467 S	7/2006	Michelson et al.	7,669,715 B2	3/2010	Wang	
D528,333 S	9/2006	Wildauer et al.	7,827,648 B2	11/2010	Soller et al.	
D532,564 S	11/2006	Neumann et al.	D629,635 S	12/2010	Raven	
7,159,265 B2	1/2007	Soller et al.	D636,960 S	4/2011	Duvigneau	
D547,987 S	8/2007	Yang et al.	D644,390 S	8/2011	Smeets et al.	
D560,630 S	1/2008	Mitchell et al.	D649,786 S *	12/2011	Lipfert et al.	D3/308
7,316,046 B2	1/2008	Michaels et al.	D652,189 S	1/2012	Morand	
D566,922 S	4/2008	Lee	D660,630 S	5/2012	Soller et al.	
			D672,591 S	12/2012	Soller et al.	
			D688,589 S *	8/2013	Hung et al.	D3/315
			D688,870 S *	9/2013	Levie	D3/311

* cited by examiner

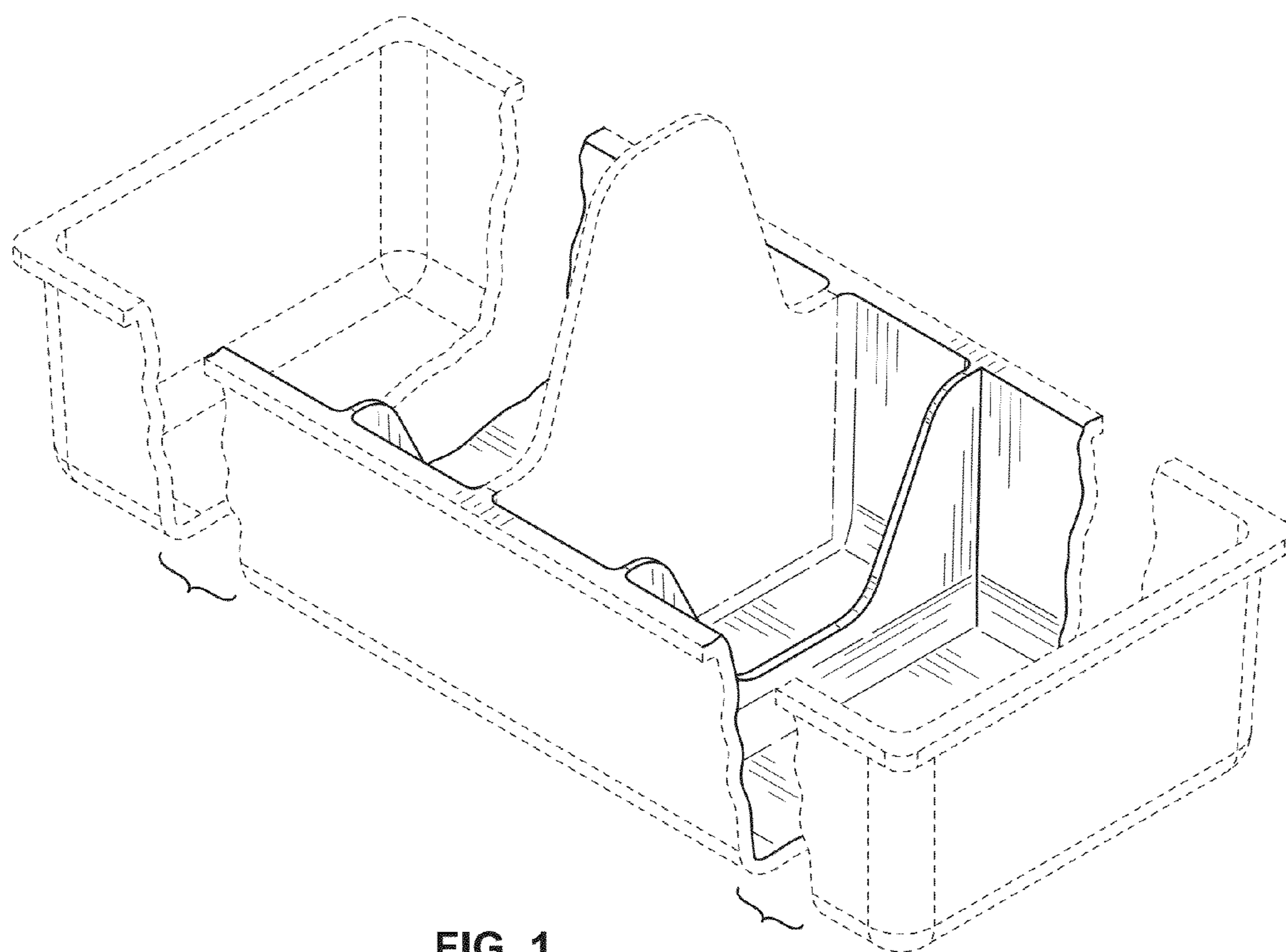


FIG. 1

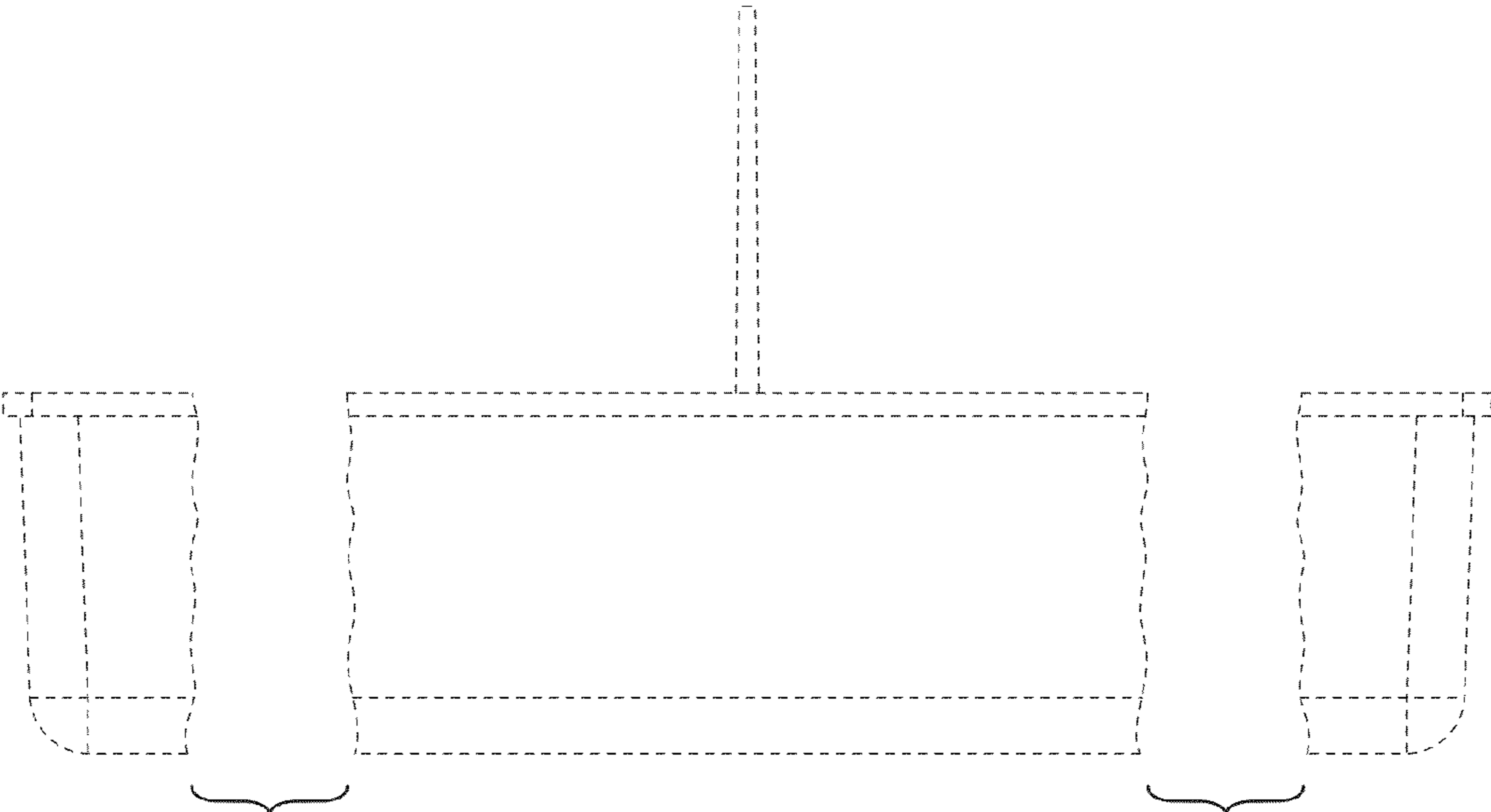


FIG. 2

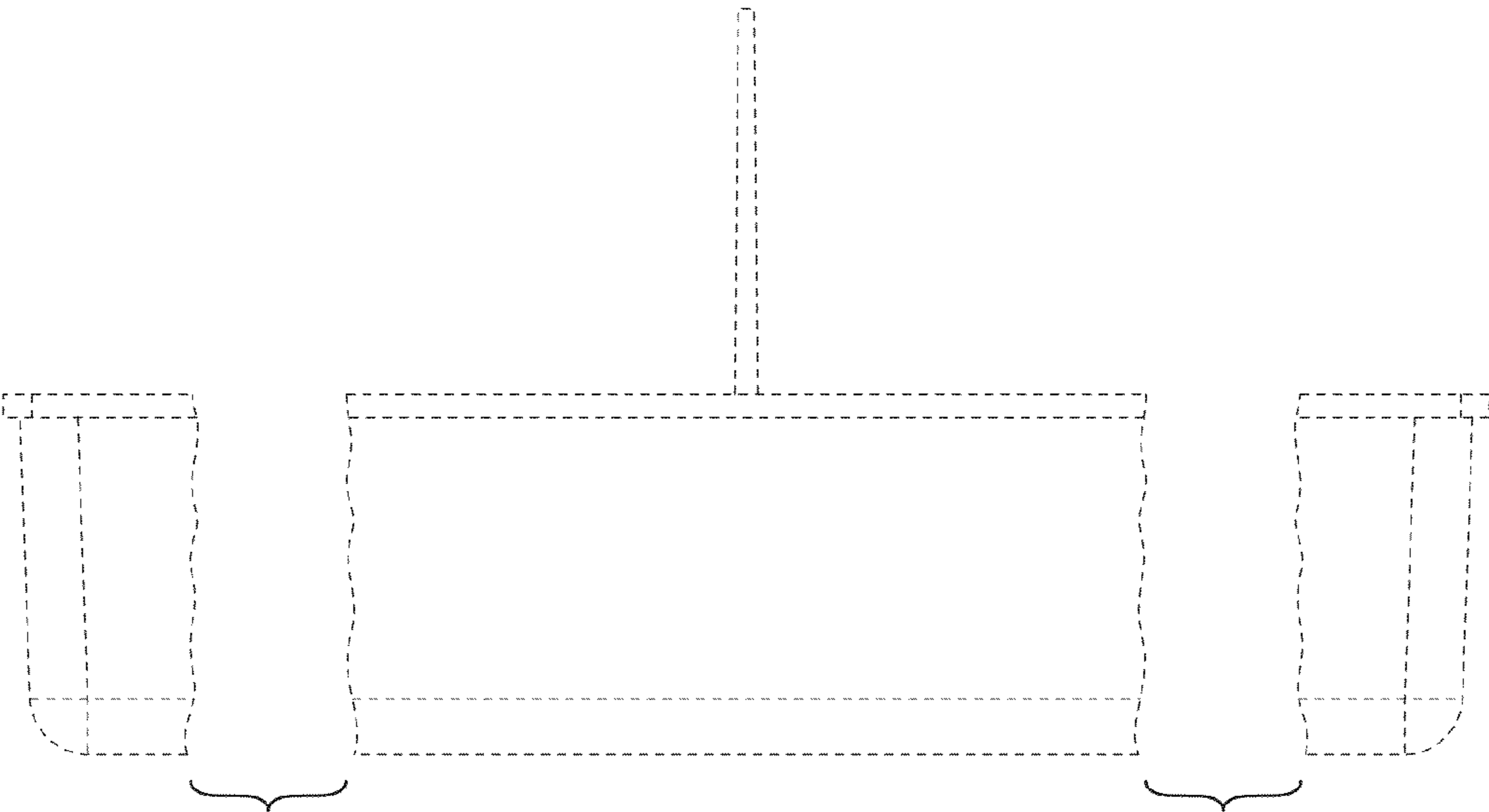


FIG. 3

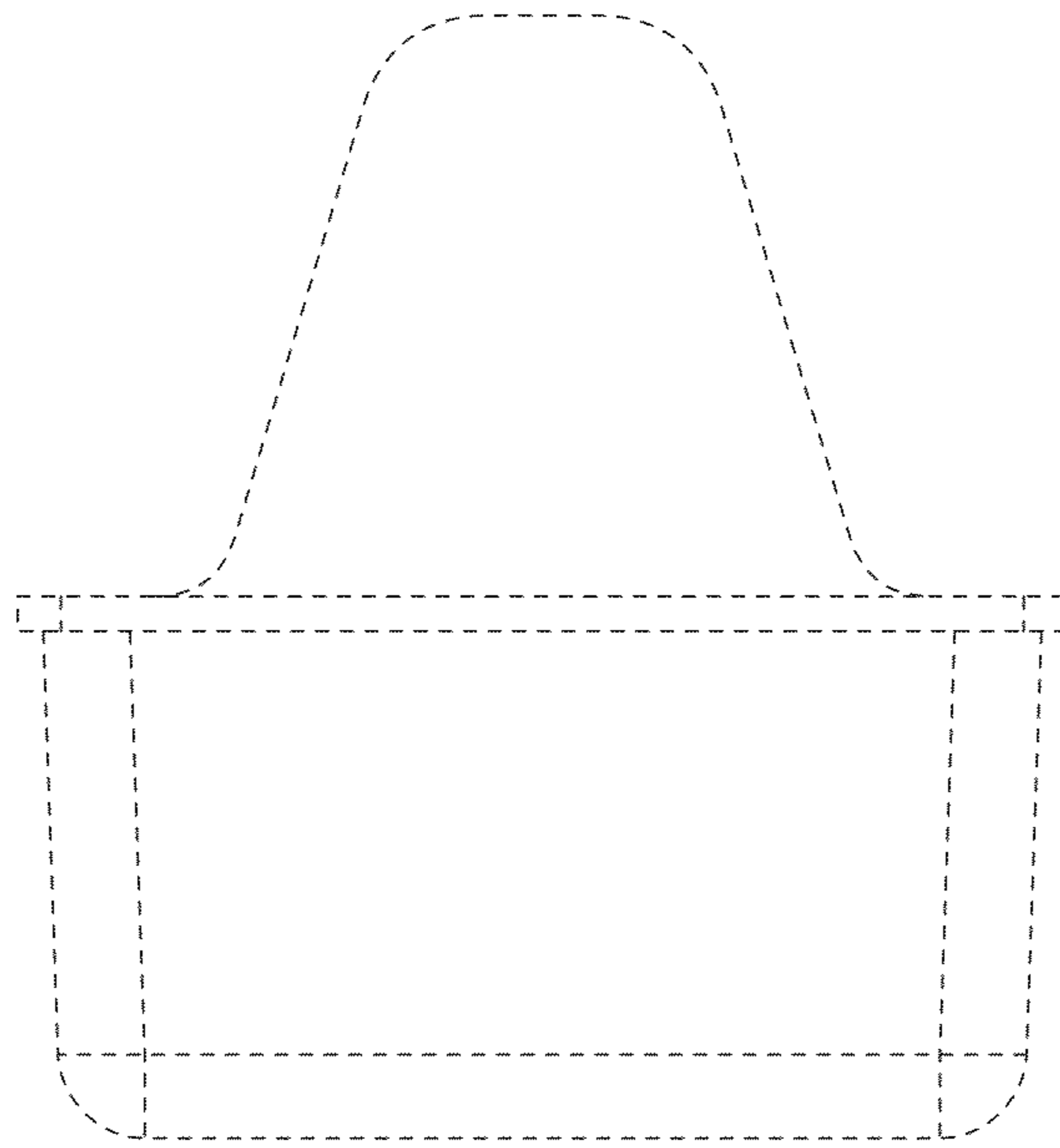


FIG. 4

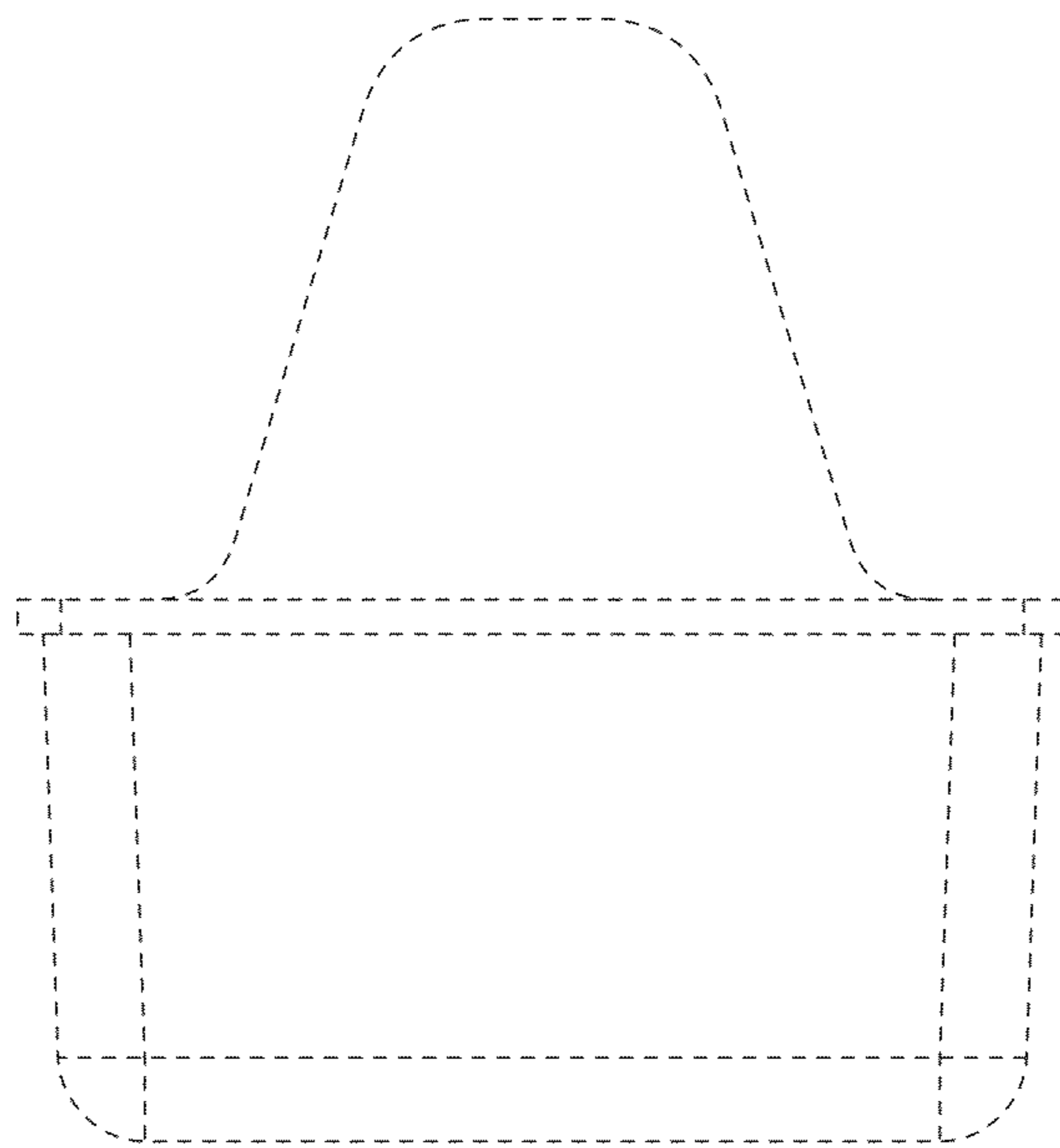


FIG. 5

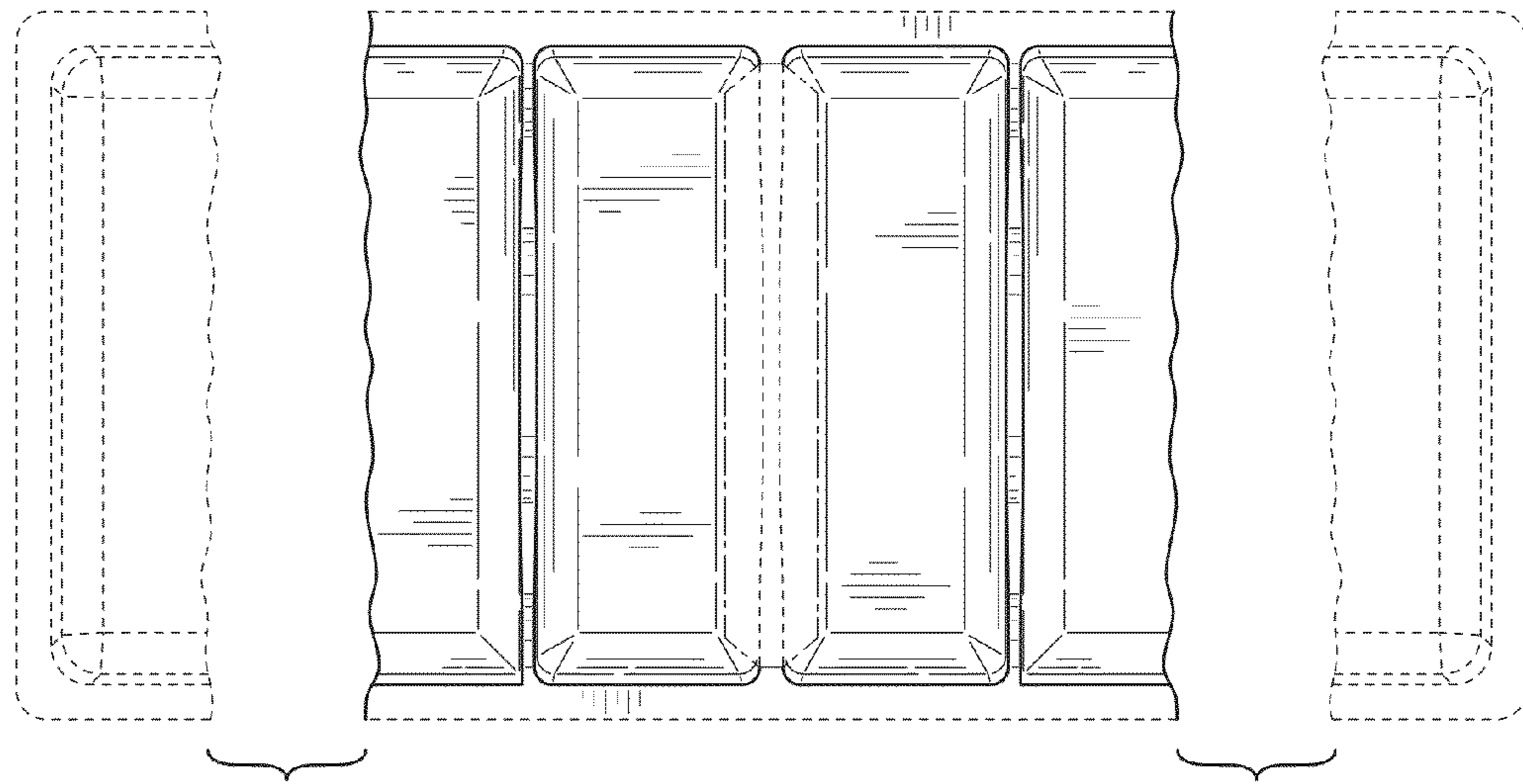


FIG. 6



FIG. 7