



US00D715547S

(12) **United States Design Patent**  
**Chen**

(10) **Patent No.:** **US D715,547 S**

(45) **Date of Patent:** **\*\* Oct. 21, 2014**

(54) **TOOLBOX**

(71) Applicant: **Good Year Hardware Co., Ltd.,**  
Changhua (TW)

(72) Inventor: **Tsai-Ching Chen,** Changhua (TW)

(73) Assignee: **Good Year Hardware Co., Ltd.,**  
Changhua (TW)

(\*\*) Term: **14 Years**

(21) Appl. No.: **29/433,638**

(22) Filed: **Oct. 2, 2012**

(51) **LOC (10) Cl.** ..... **03-01**

(52) **U.S. Cl.**  
USPC ..... **D3/284**

(58) **Field of Classification Search**  
USPC ..... D3/272-273, 282-284, 315, 905, 215,  
D3/228; 206/372-374, 376-379, 349, 736,  
206/745, 752, 759, 747; 211/70.6  
See application file for complete search history.

(56) **References Cited**

**U.S. PATENT DOCUMENTS**

D394,952 S \* 6/1998 Wei ..... D3/273  
D415,345 S \* 10/1999 Duran ..... D3/228  
D446,651 S \* 8/2001 Liao ..... D3/284

D560,906 S \* 2/2008 Meng ..... D3/228  
7,360,654 B2 \* 4/2008 Liu ..... 206/754  
D579,204 S \* 10/2008 Chen ..... D3/315  
7,530,459 B2 \* 5/2009 Yeh ..... 206/372  
D639,062 S \* 6/2011 Molina et al. .... D3/282  
8,038,004 B2 \* 10/2011 Hu ..... 206/375  
8,302,771 B2 \* 11/2012 Arslan ..... 206/372

\* cited by examiner

*Primary Examiner* — Catheri Oliver-Garcia

(74) *Attorney, Agent, or Firm* — Muncy, Geissler, Olds & Lowe, P.C.

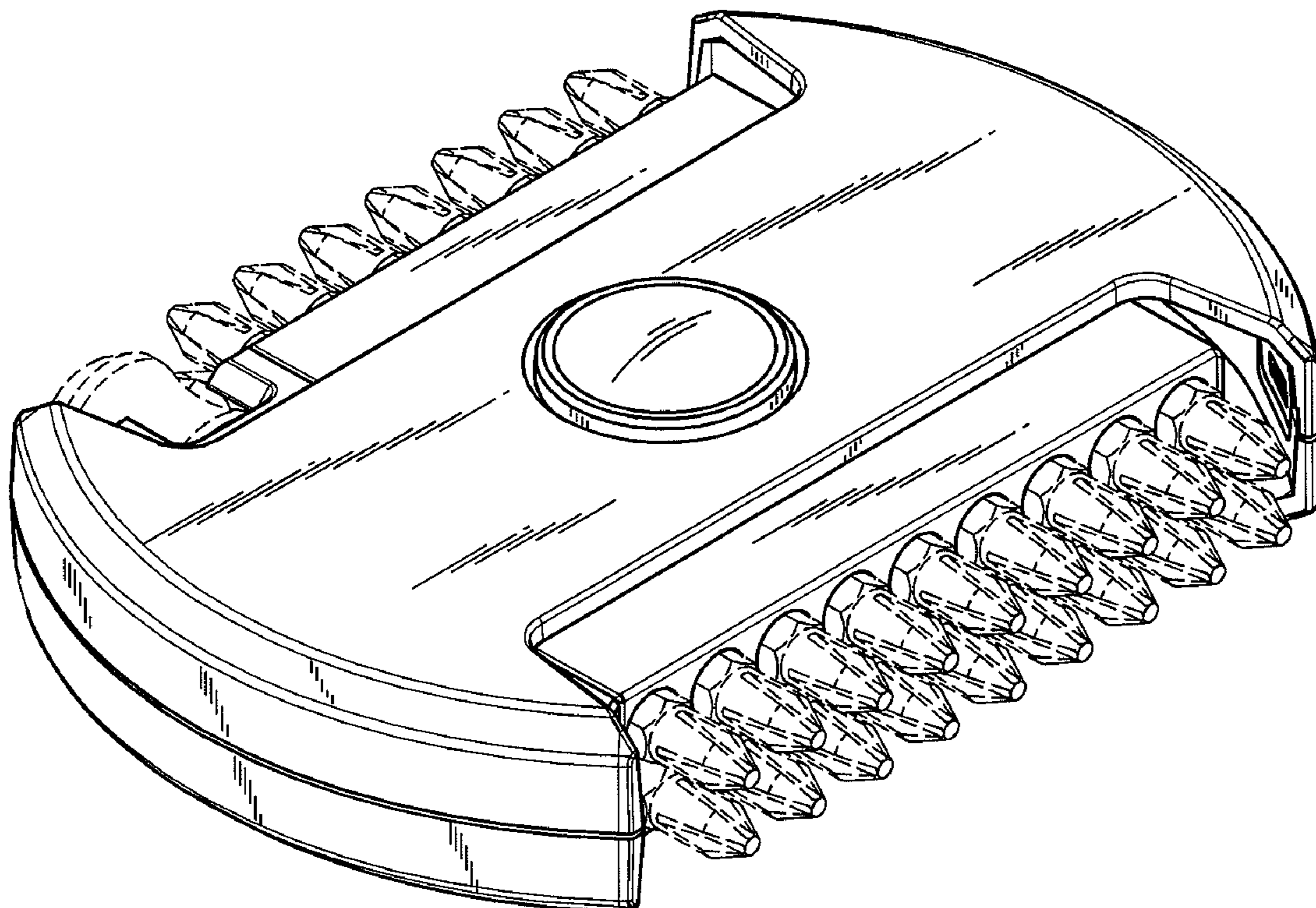
(57) **CLAIM**

The ornamental design for a toolbox, as shown and described.

**DESCRIPTION**

FIG. 1 shows a perspective view of the present design.  
FIG. 2 shows a front view of the present design,  
FIG. 3 shows a rear view of the present design.  
FIG. 4 shows a left side view of the present design  
FIG. 5 shows a right side view of the present design.  
FIG. 6 shows a top view of the present design.  
FIG. 7 shows a bottom view of the present design; and,  
FIG. 8 is a schematic drawing showing that the toolbox of the present design is in use.  
The broken line showing of environment in the drawings is included for the purpose of illustrating only and forms no part of the claimed design.

**1 Claim, 5 Drawing Sheets**



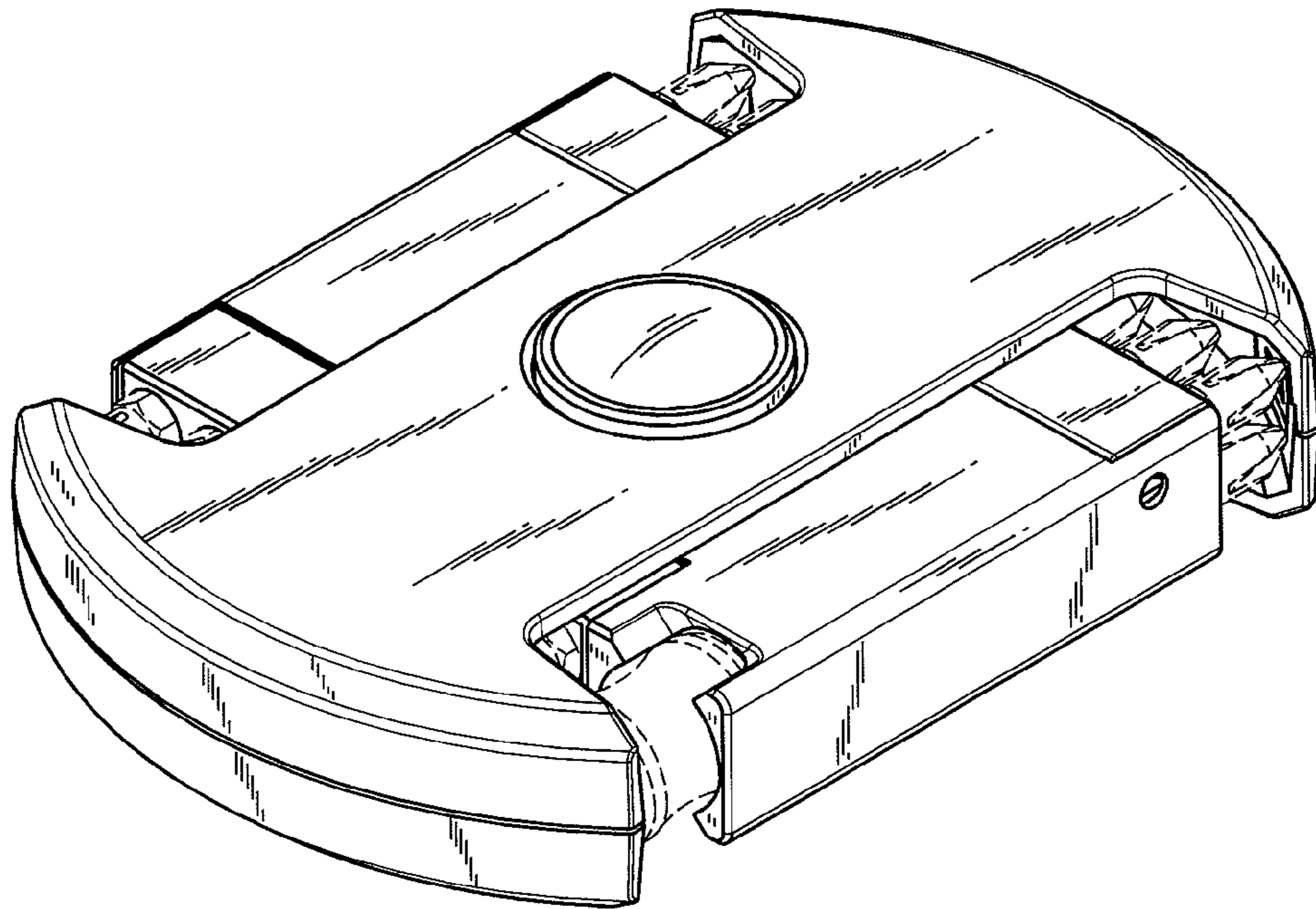


FIG. 1

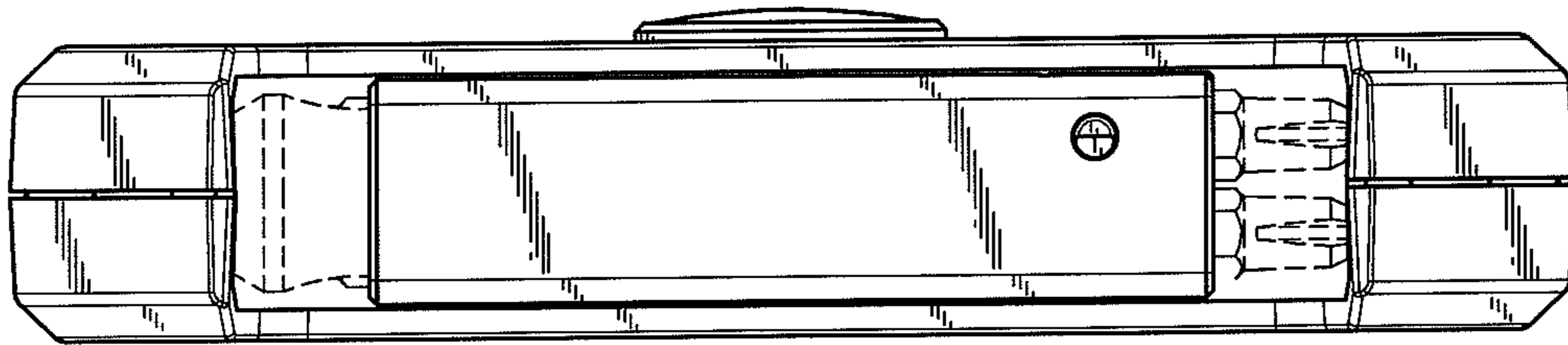


FIG. 2

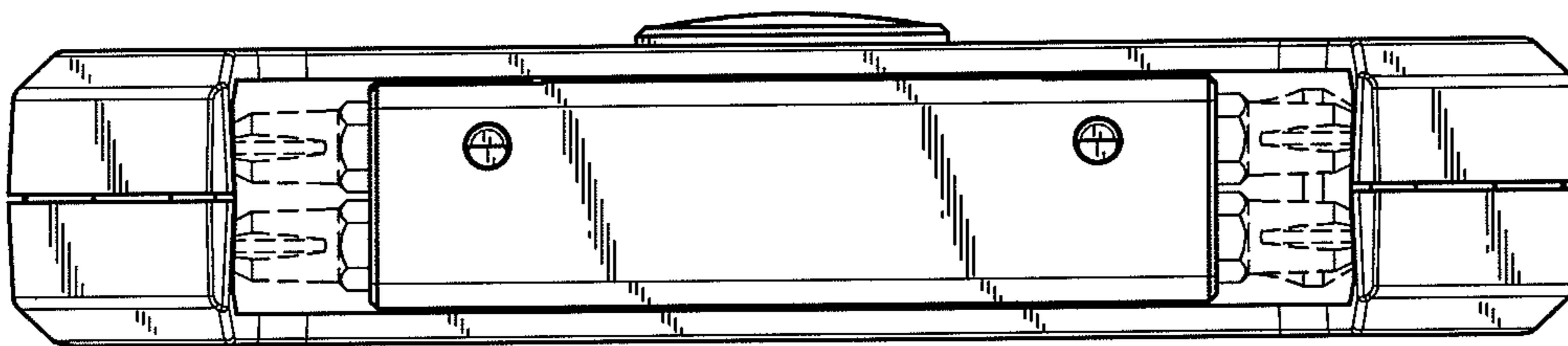


FIG. 3

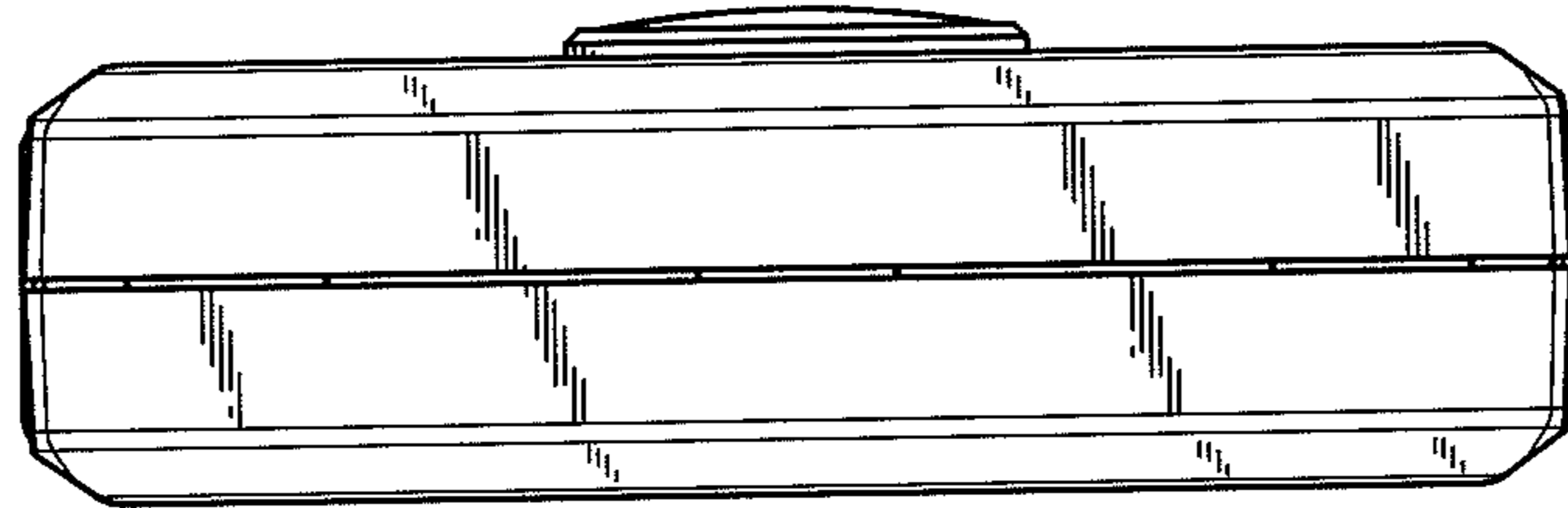


FIG. 4

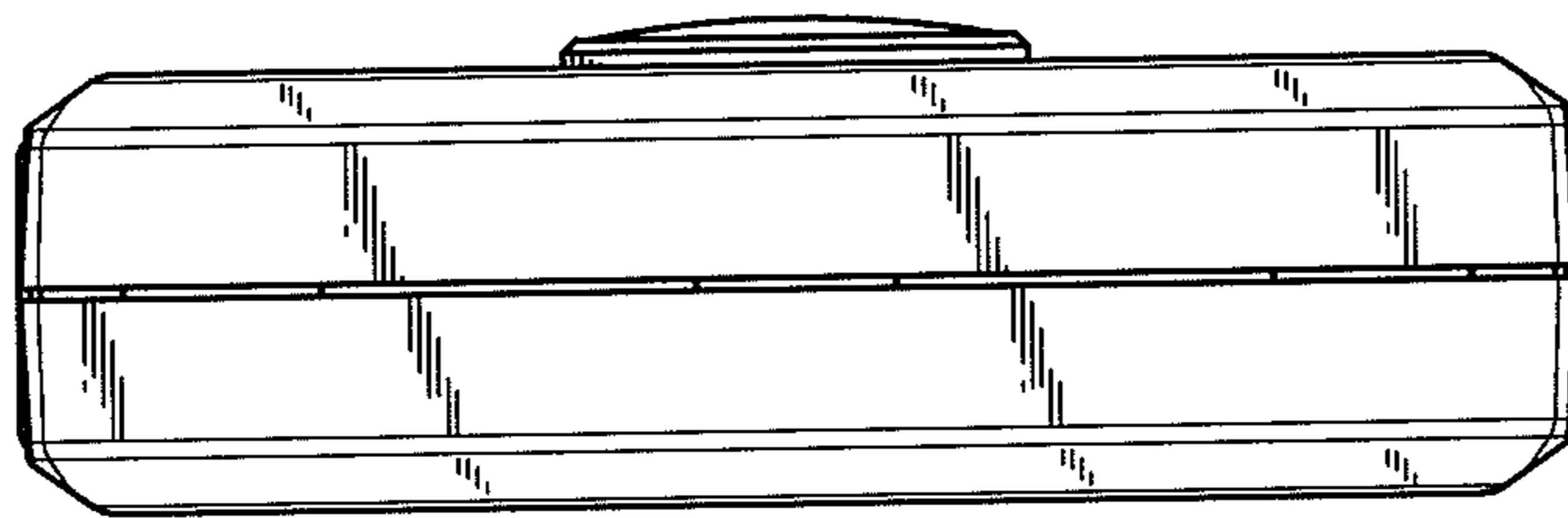


FIG. 5



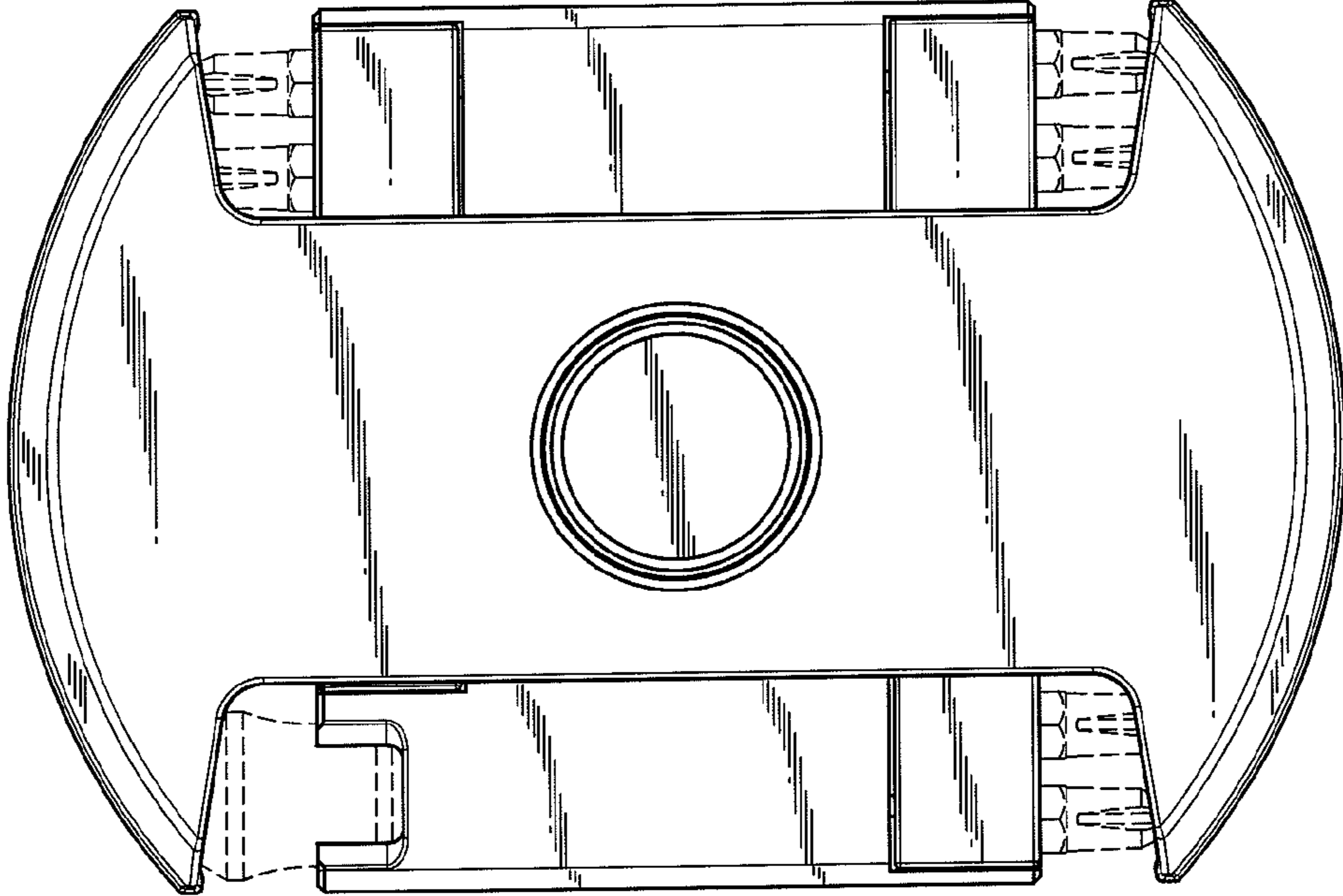


FIG. 6

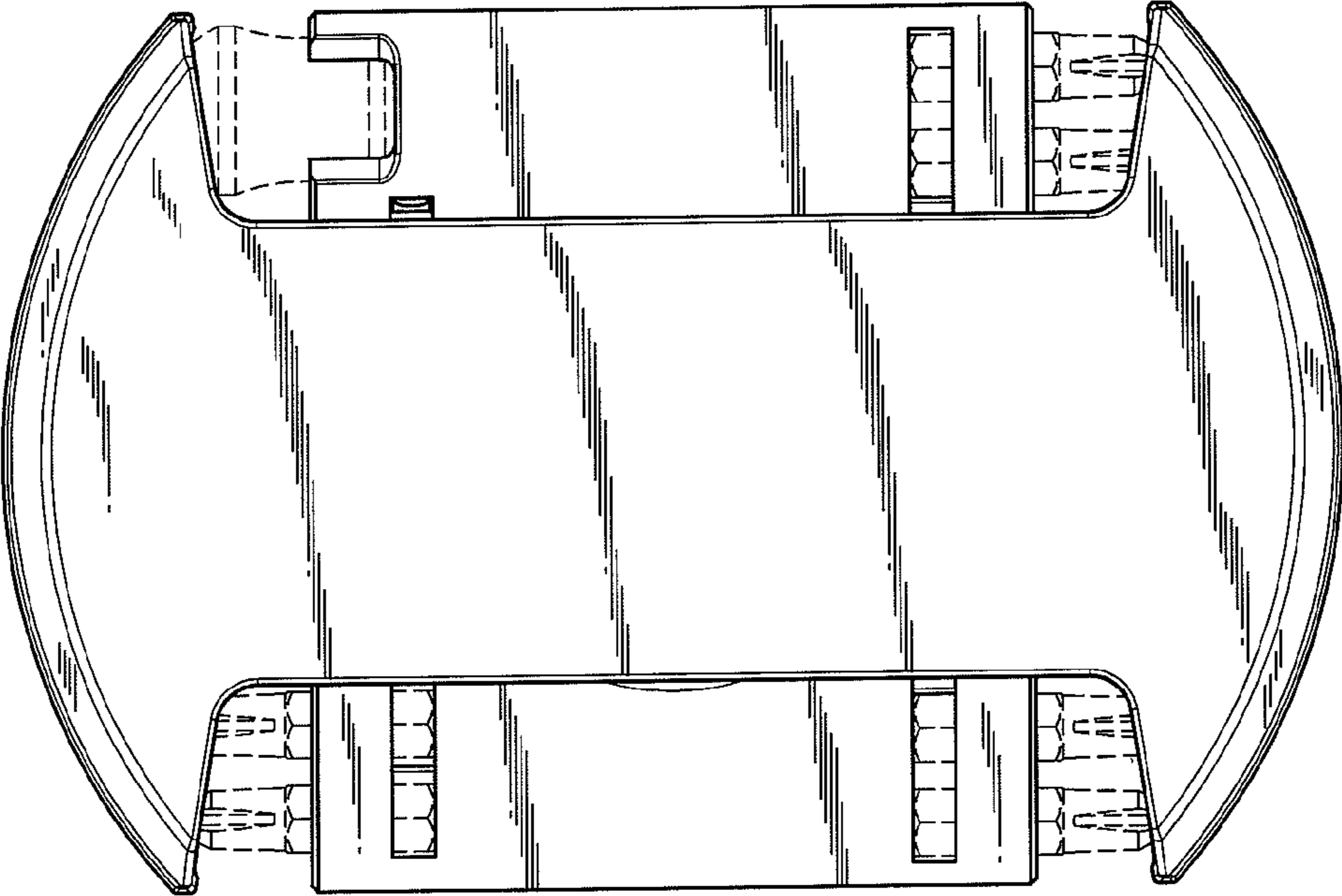


FIG. 7

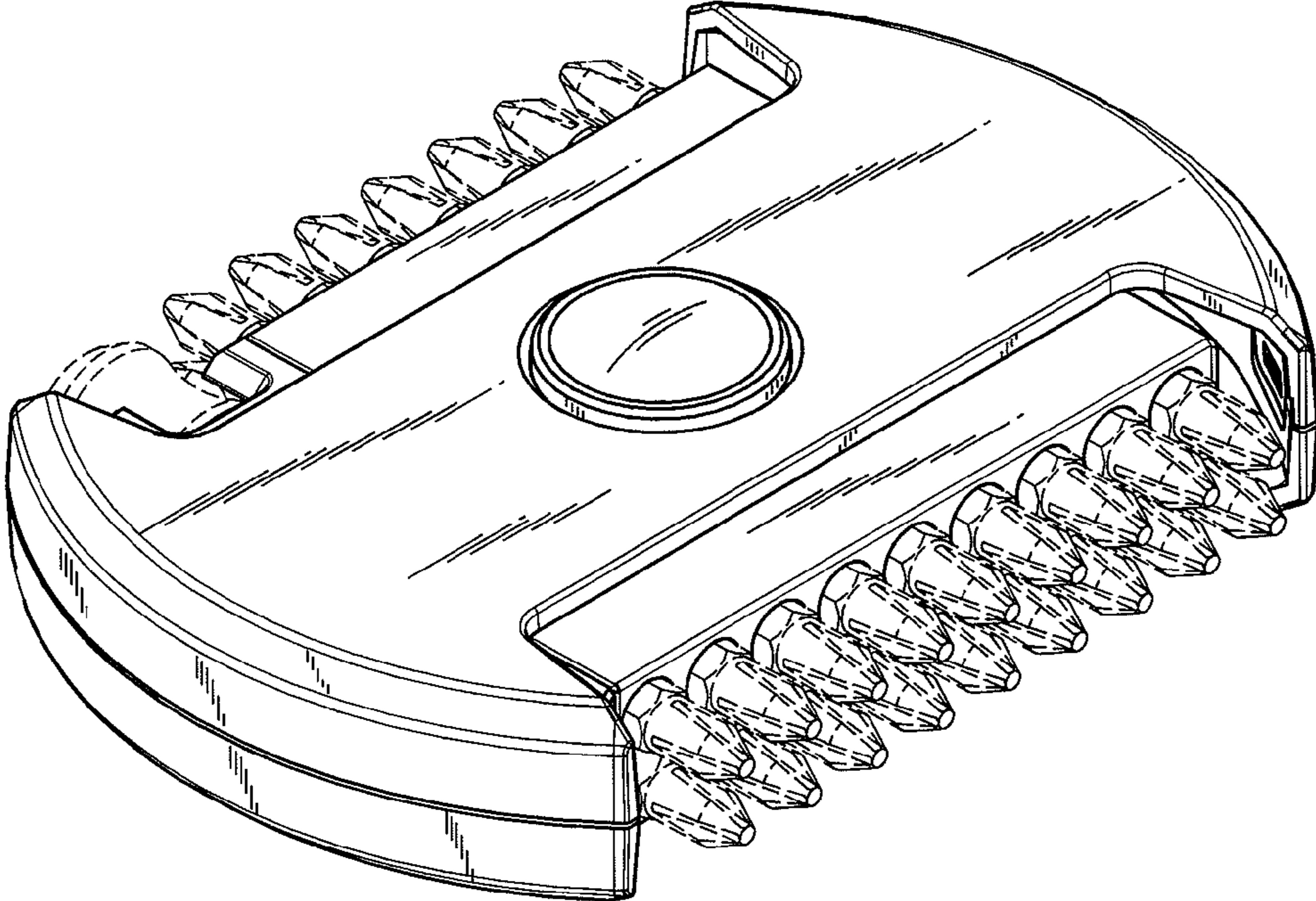


FIG. 8