



US00D715544S

(12) **United States Design Patent**
Levine

(10) **Patent No.:** **US D715,544 S**
(45) **Date of Patent:** **** Oct. 21, 2014**

(54) **PURSE**
(71) Applicant: **Rebecca Levine**, Missoula, MT (US)
(72) Inventor: **Rebecca Levine**, Missoula, MT (US)
(**) Term: **14 Years**

Primary Examiner — Holly Baynham
(74) *Attorney, Agent, or Firm* — Miller Nash LLP; Chandra E. Eidt

(21) Appl. No.: **29/456,863**
(22) Filed: **Jun. 4, 2013**
(51) **LOC (10) Cl.** **03-01**
(52) **U.S. Cl.**
USPC **D3/246**
(58) **Field of Classification Search**
CPC A45C 1/024; A45C 3/06
USPC D3/232–233, 240–243, 245–246;
150/100, 103–110, 113–114, 117–119
See application file for complete search history.

(57) **CLAIM**
The ornamental design for a purse, as shown and described.

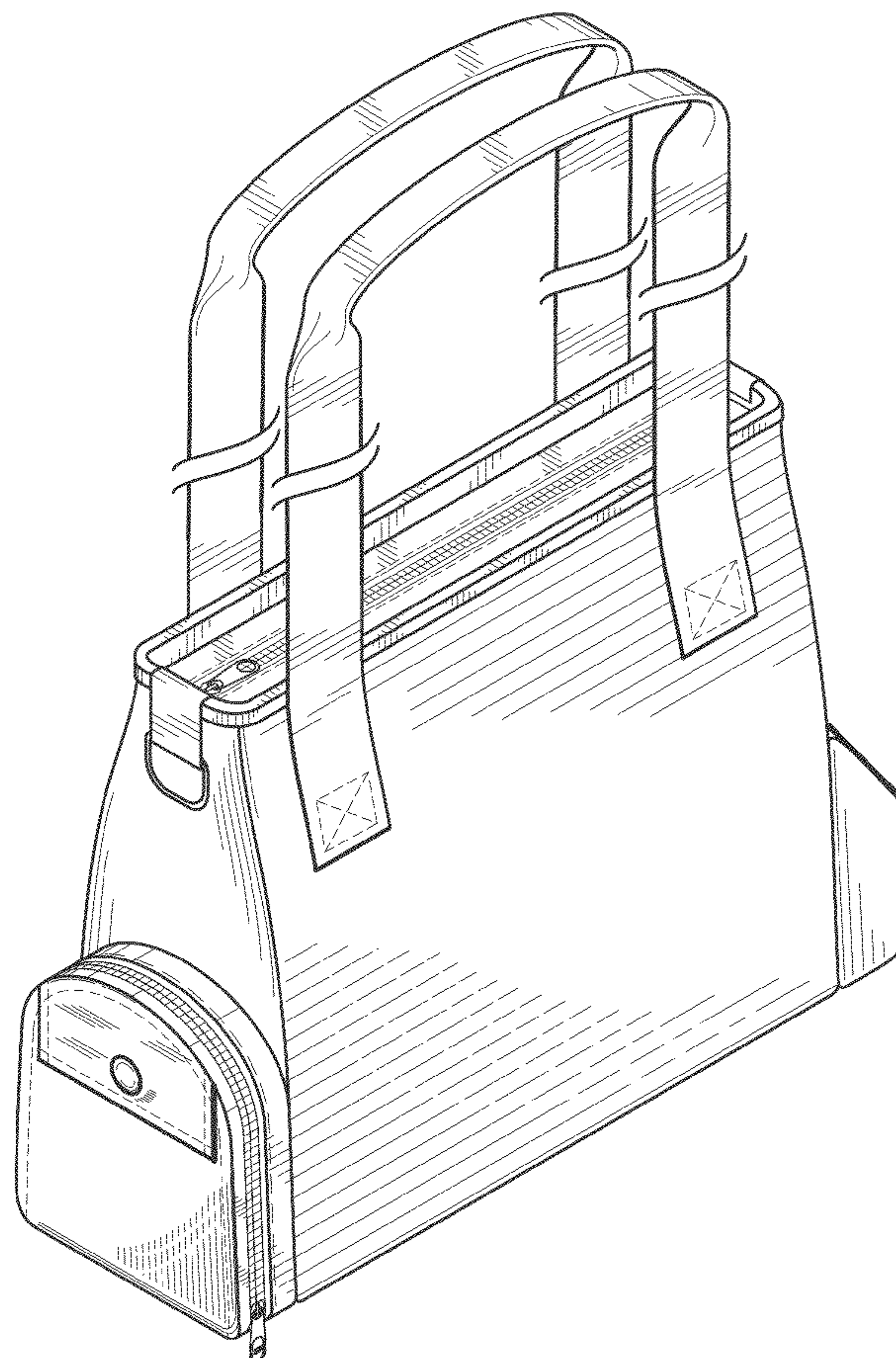
DESCRIPTION

FIG. 1 illustrates an isometric front perspective view of the new design for a purse;
FIG. 2 illustrates an isometric rear perspective view thereof;
FIG. 3 illustrates a left side view thereof;
FIG. 4 illustrates a right side view thereof;
FIG. 5 illustrates a front view thereof;
FIG. 6 illustrates a rear view thereof;
FIG. 7 illustrates a top view thereof;
FIG. 8 illustrates a bottom view thereof; and
FIG. 9 illustrates an isometric front perspective view thereof with a left side portion of the purse is open; and,
FIG. 10 is a cross-sectional view shown along line 10-10 of FIG. 9.
The dash-dot broken lines showing a tag are for the purposes of illustrating environment and form no part of the claimed design. The evenly spaced broken lines represent stitching and are part of the claimed design.

(56) **References Cited**
U.S. PATENT DOCUMENTS
D490,240 S * 5/2004 Rogers D3/233
D650,578 S * 12/2011 Guertin et al. D3/233
D659,390 S * 5/2012 Guertin et al. D3/233
D670,906 S * 11/2012 Du D3/243

* cited by examiner

1 Claim, 9 Drawing Sheets



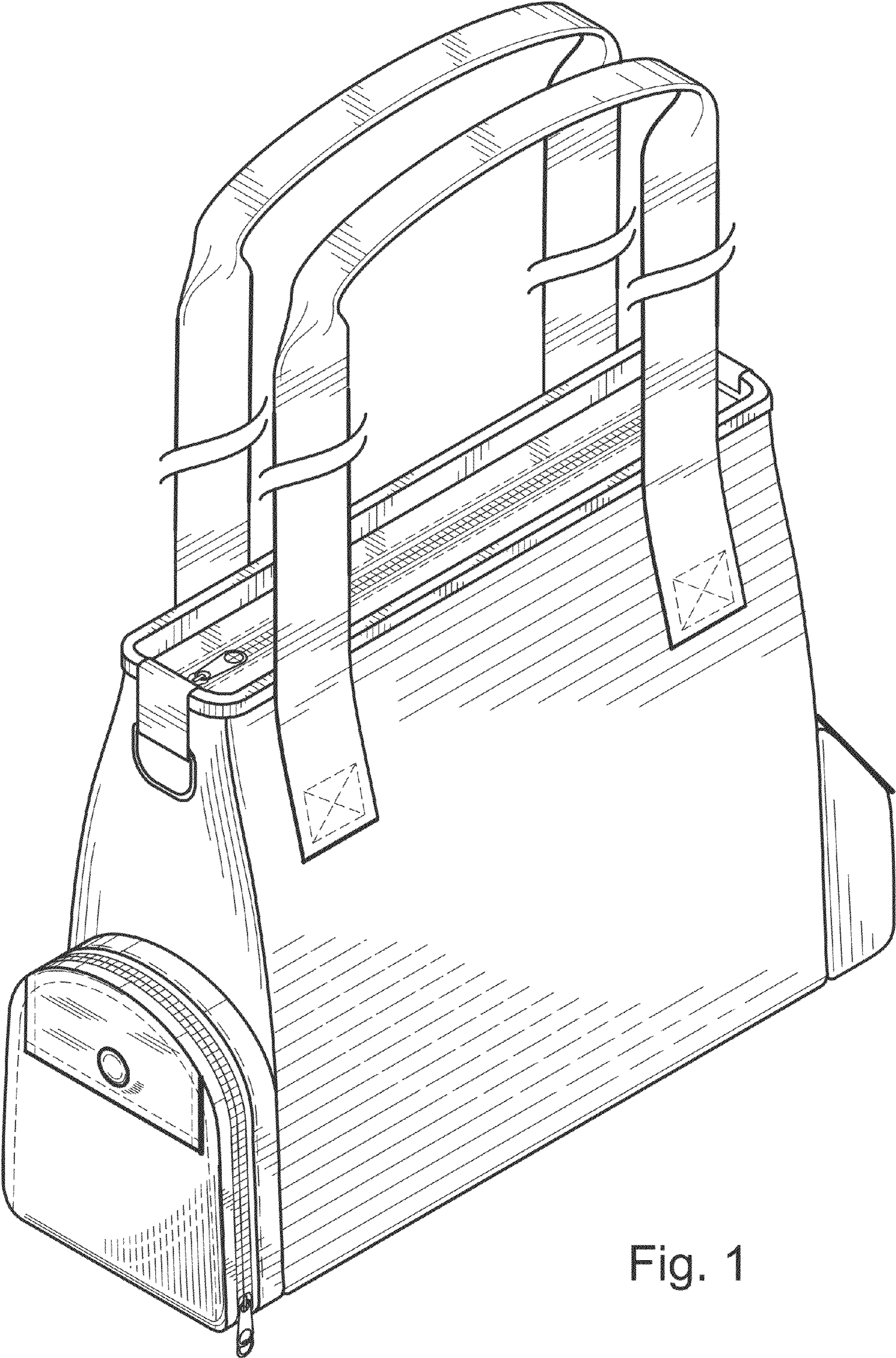


Fig. 1

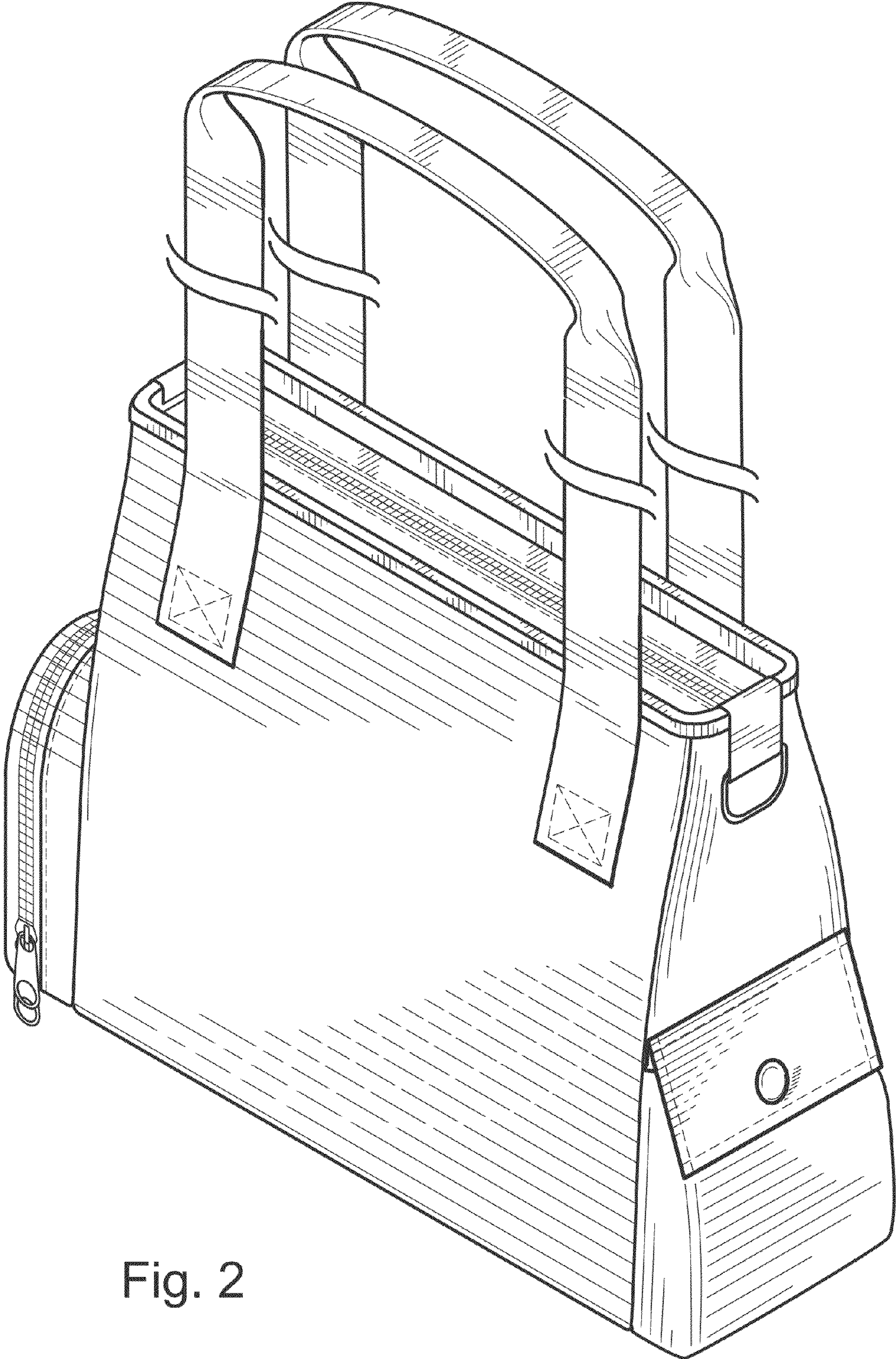


Fig. 2

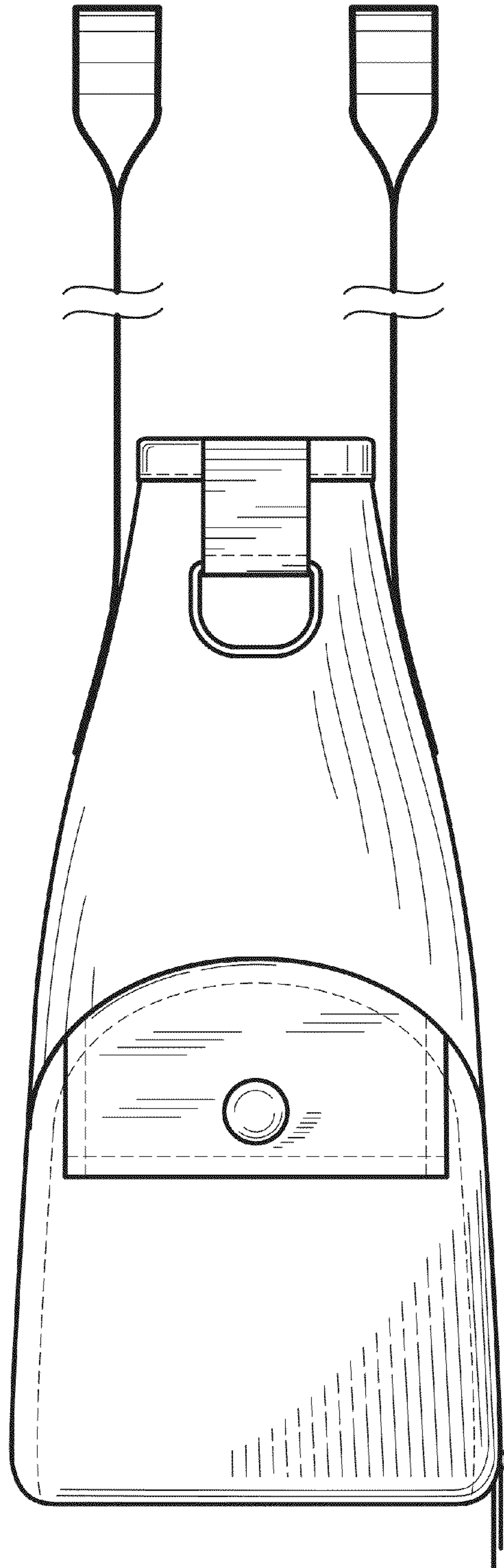


Fig. 3

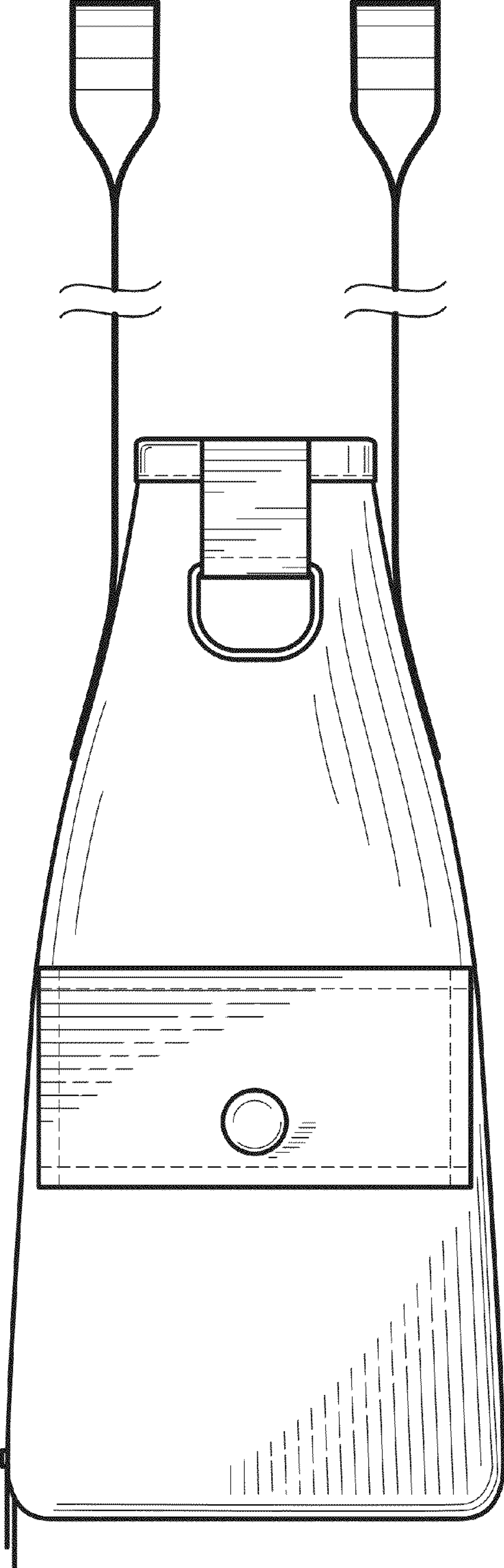


Fig. 4

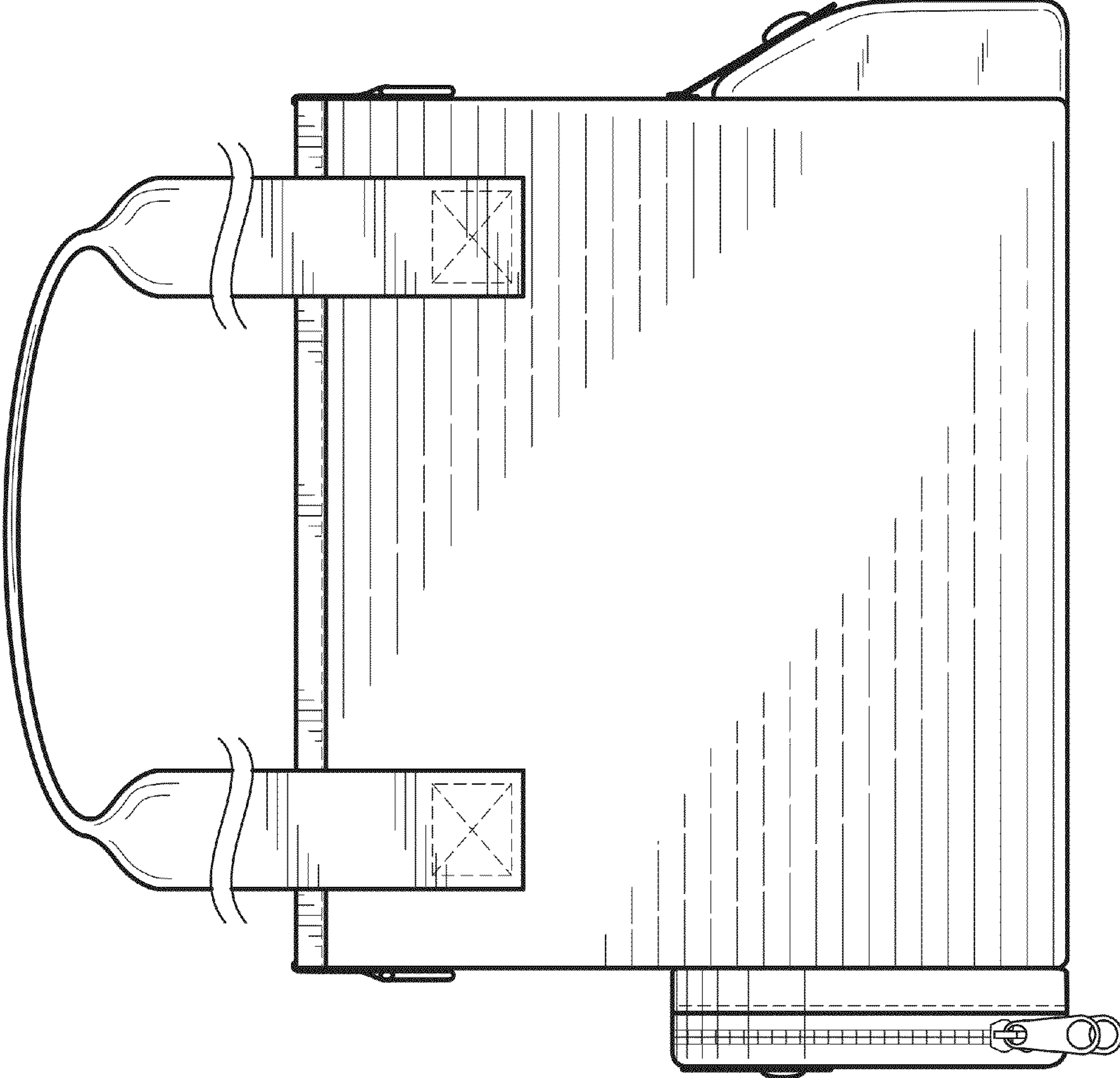


Fig. 5

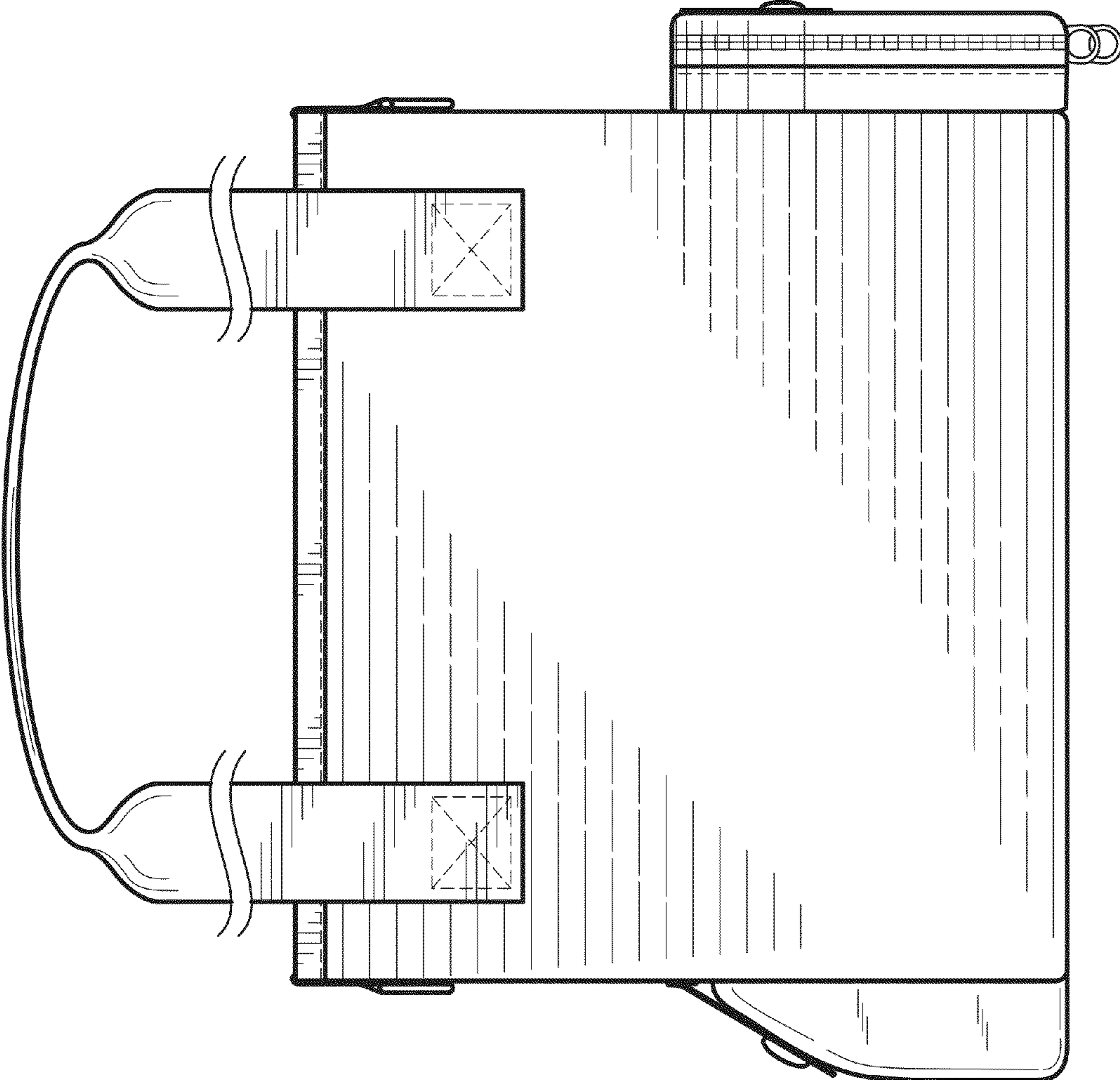


Fig. 6

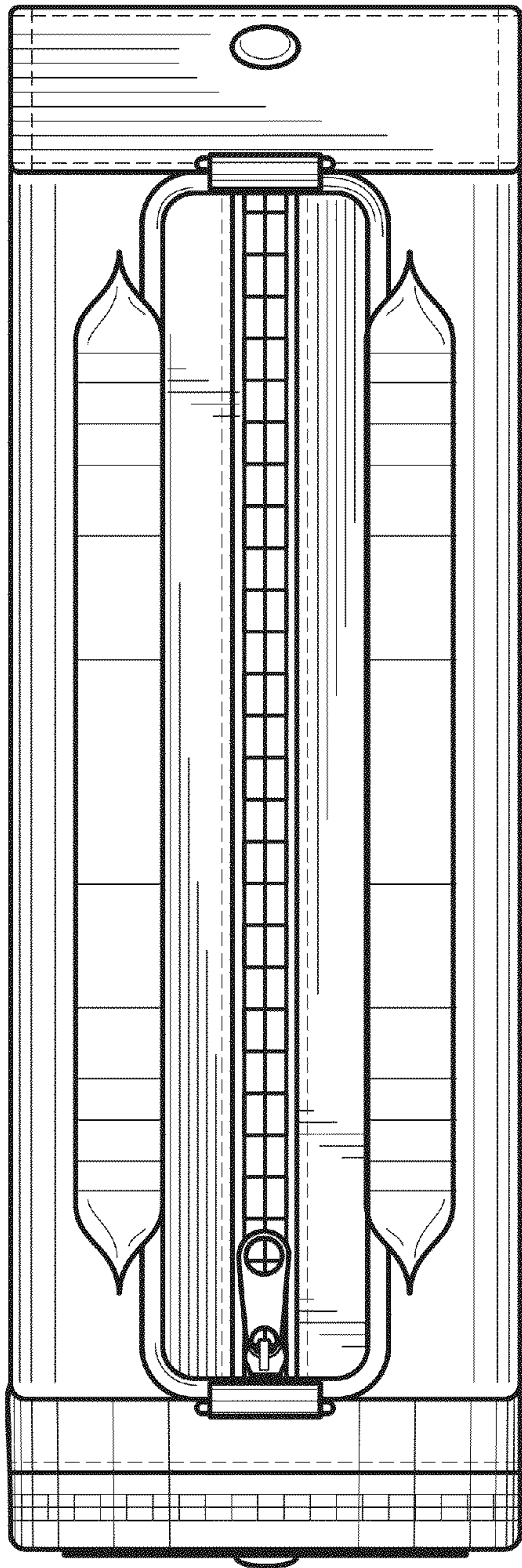


Fig. 7

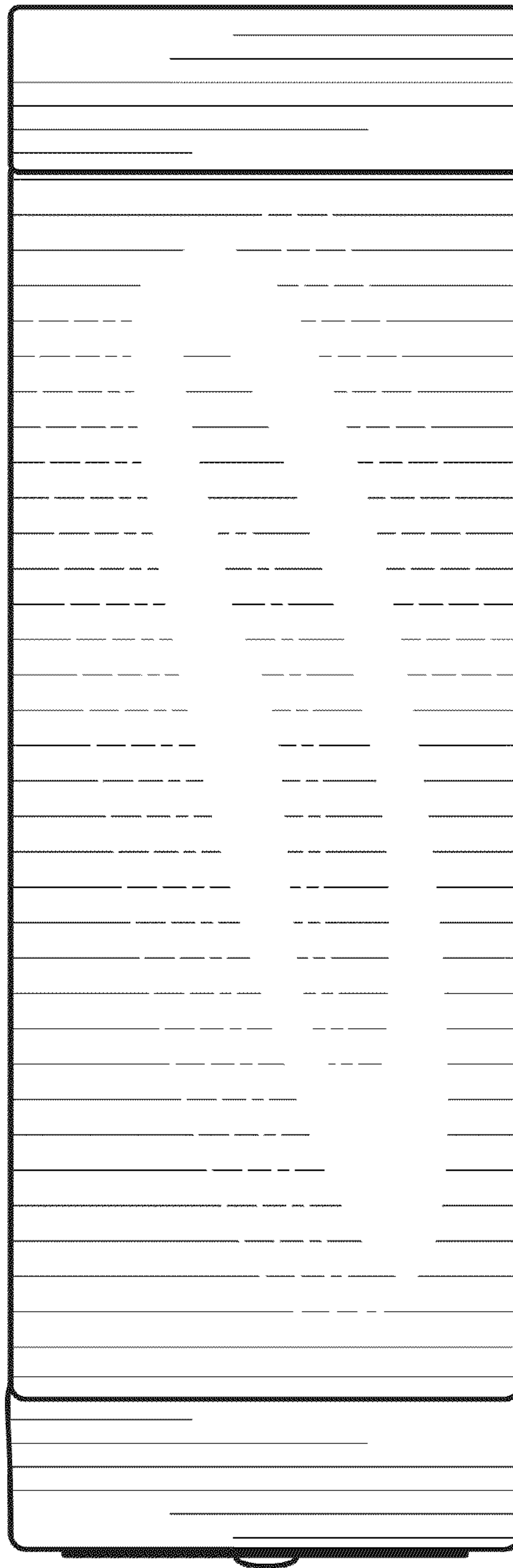


Fig. 8

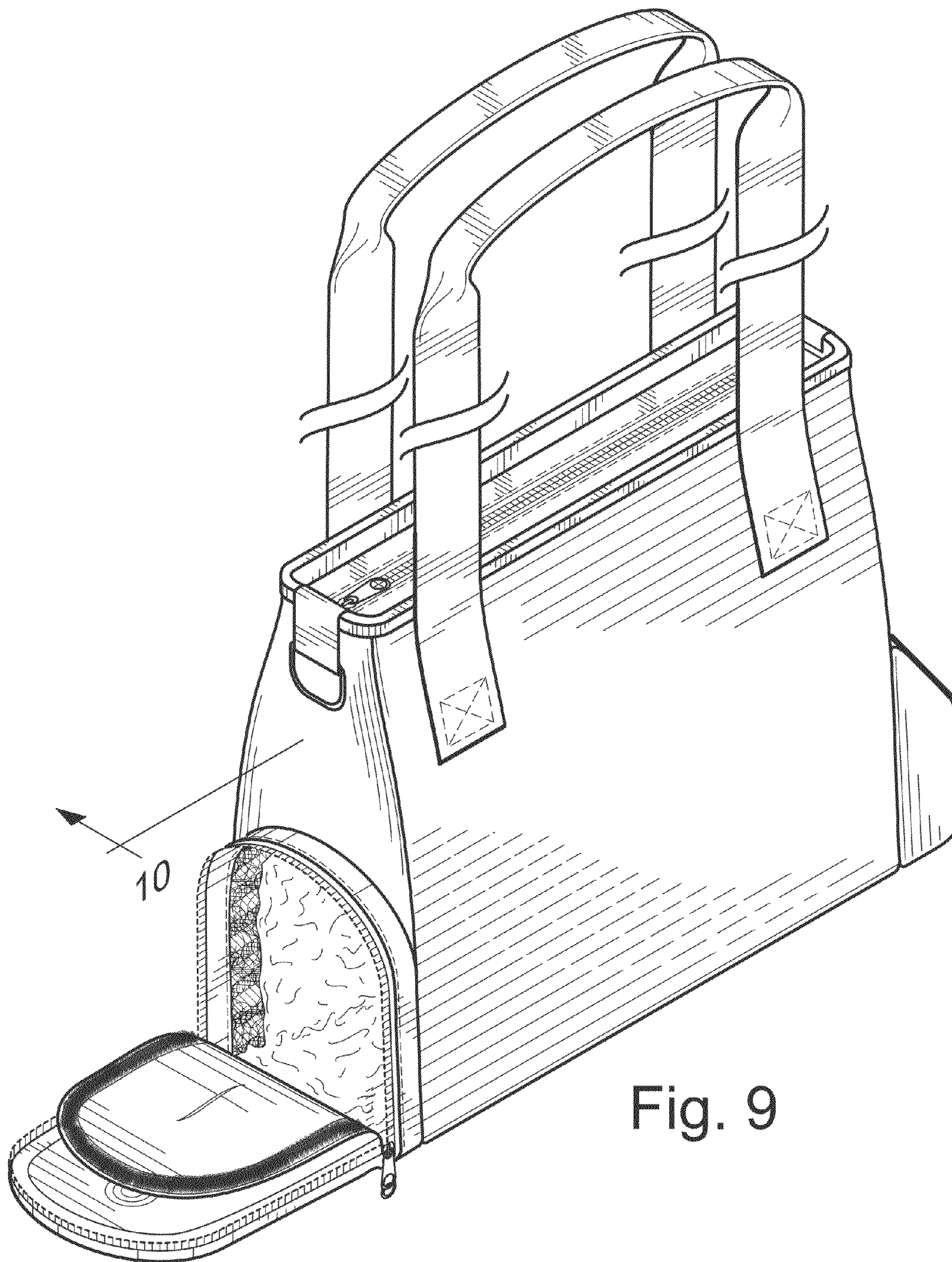


Fig. 9

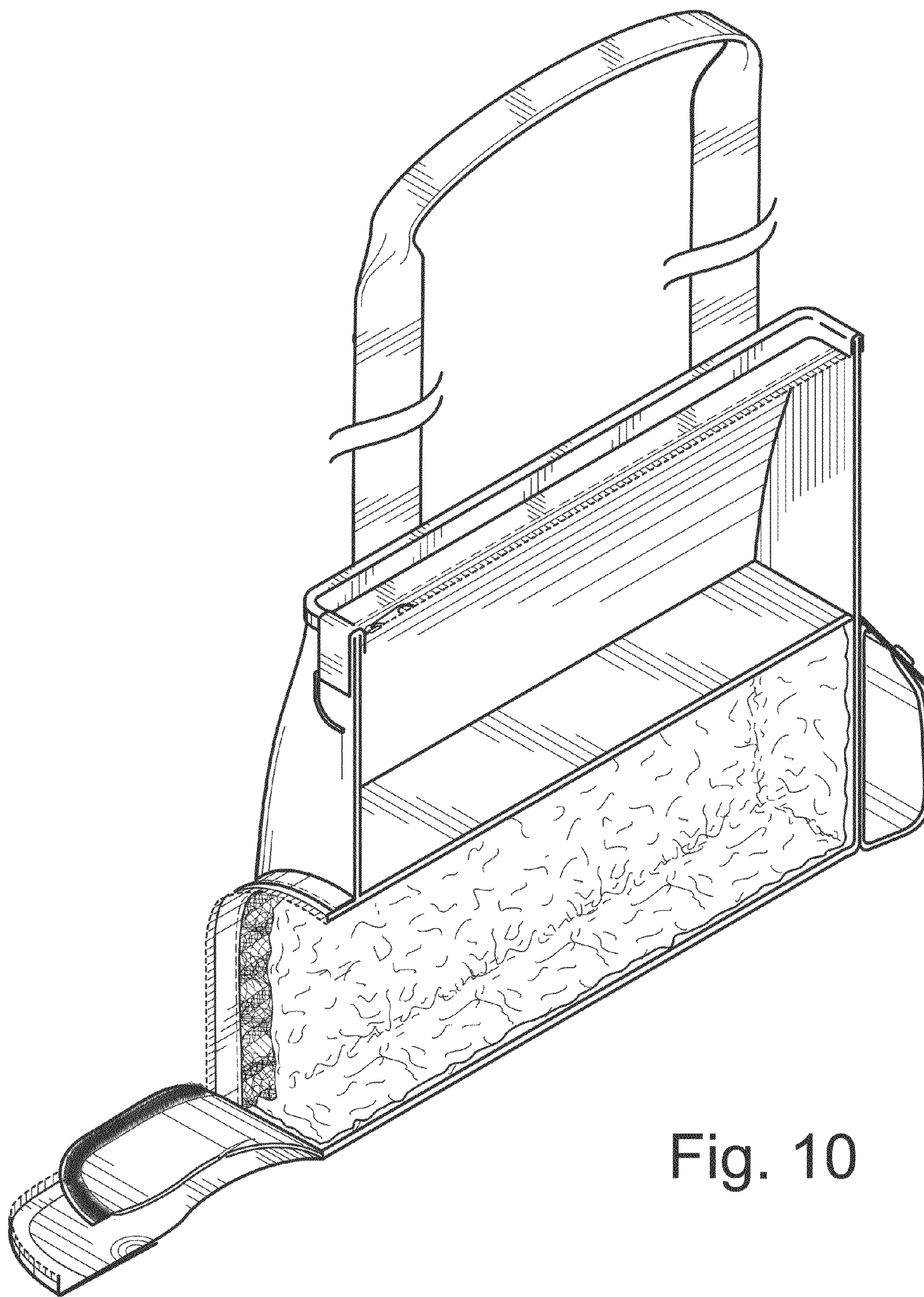


Fig. 10