



US00D715542S

(12) **United States Design Patent**
Green

(10) **Patent No.:** **US D715,542 S**

(45) **Date of Patent:** **** Oct. 21, 2014**

(54) **BAG**

(71) Applicant: **Andrew Odane Green**, Brooklyn, NY
(US)

(72) Inventor: **Andrew Odane Green**, Brooklyn, NY
(US)

(**) Term: **14 Years**

(21) Appl. No.: **29/460,002**

(22) Filed: **Jul. 5, 2013**

(51) **LOC (10) Cl.** **03-01**

(52) **U.S. Cl.**
USPC **D3/233**

(58) **Field of Classification Search**
CPC A45C 13/06; A45C 13/02; A45C 3/04
USPC D3/232-233, 240-243, 245-246;
150/117-119

See application file for complete search history.

(56) **References Cited**

U.S. PATENT DOCUMENTS

4,637,076 A *	1/1987	Tartt et al.	2/102
D630,432 S *	1/2011	Tennyson	D3/232
7,996,921 B1 *	8/2011	Snyder	2/102
8,387,166 B2 *	3/2013	Eastep	2/102

* cited by examiner

Primary Examiner — Holly Baynham

(57) **CLAIM**

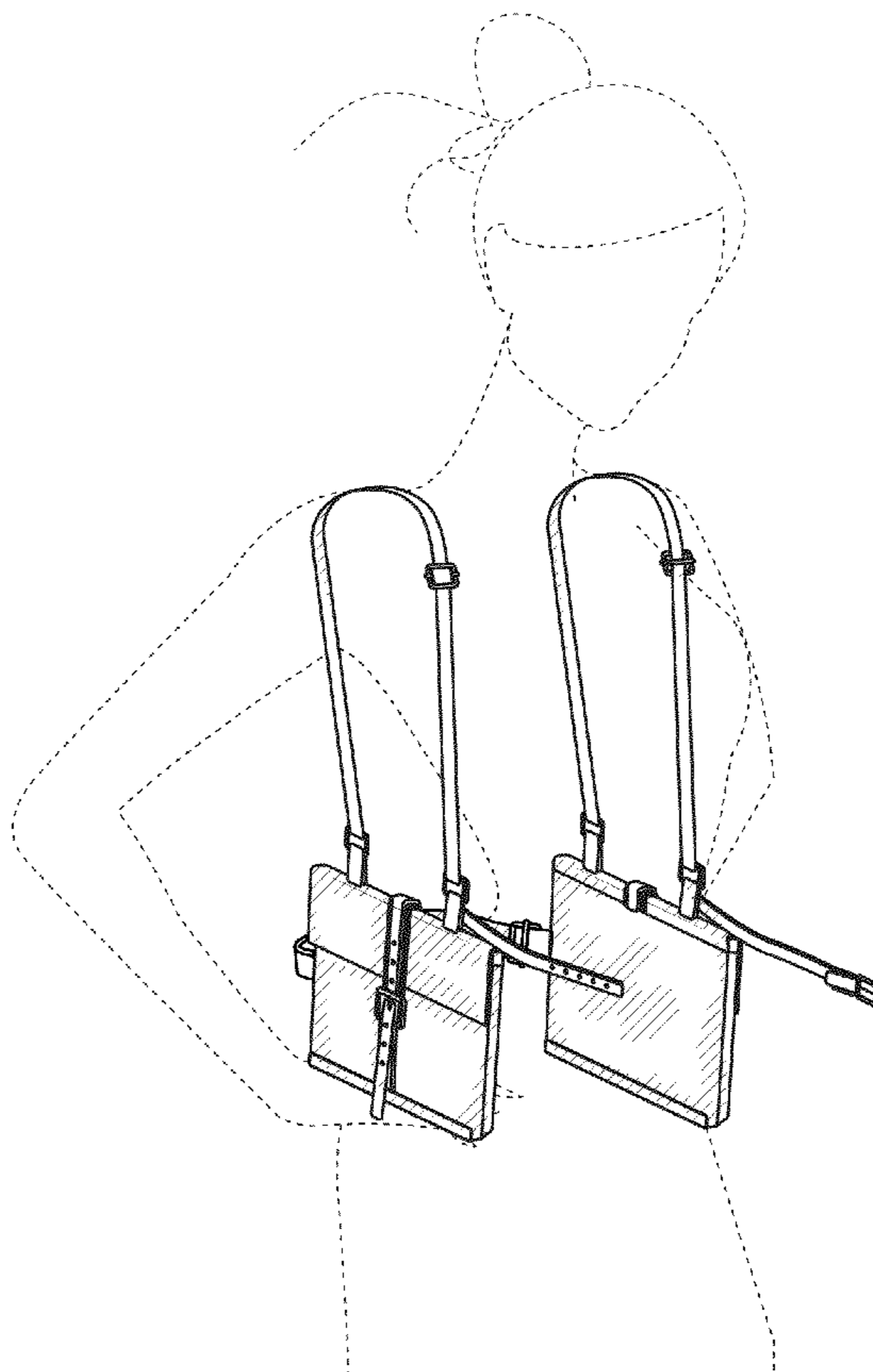
The ornamental design for a bag, as shown and described.

DESCRIPTION

FIG. 1 is a perspective front view of a bag as worn by person; FIG. 2 is a front elevation view of the bag; FIG. 3 is a rear elevation view of the bag; FIG. 4 is a left Side elevation view of the bag; FIG. 5 is a right Side elevation view of the bag; FIG. 6 is a top elevation view of the bag; FIG. 7 is a bottom elevation view of the bag; and, FIG. 8 is a front elevation view of the bag with flaps in open position.

The broken lines showing a human figure is included for the purpose of illustrating environmental structure and forms no part of the claimed design.

1 Claim, 4 Drawing Sheets



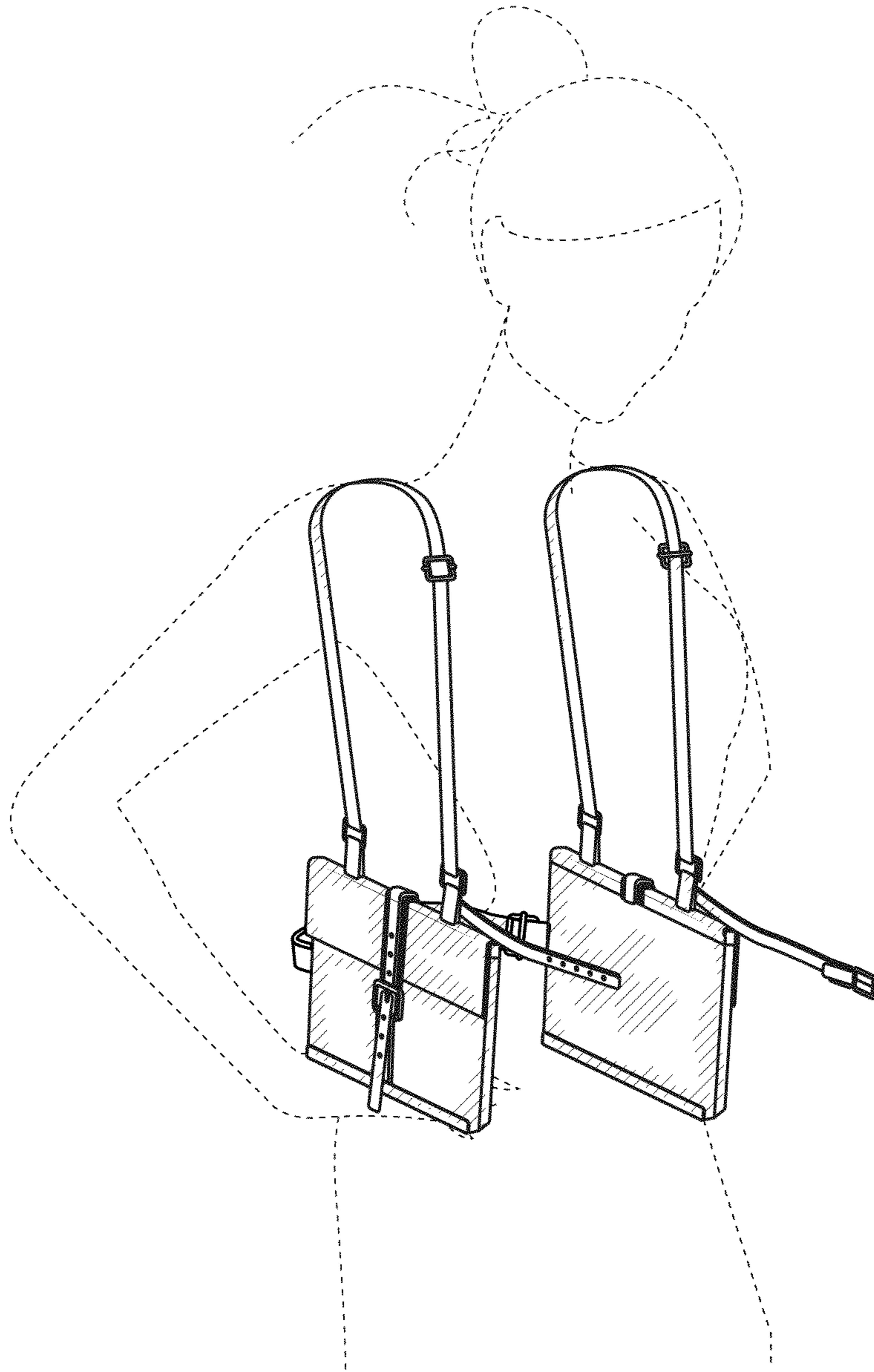


FIG. 1

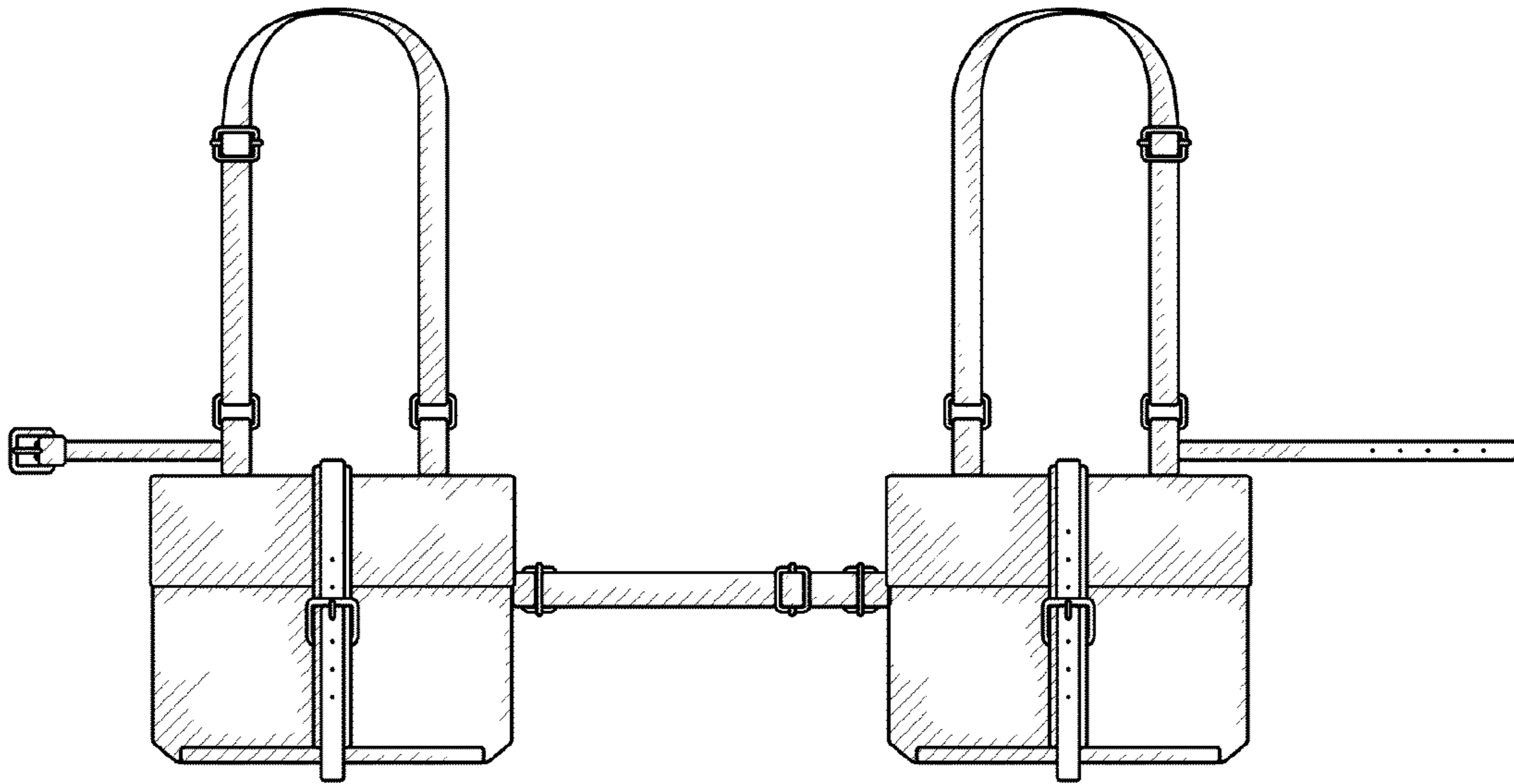


FIG. 2

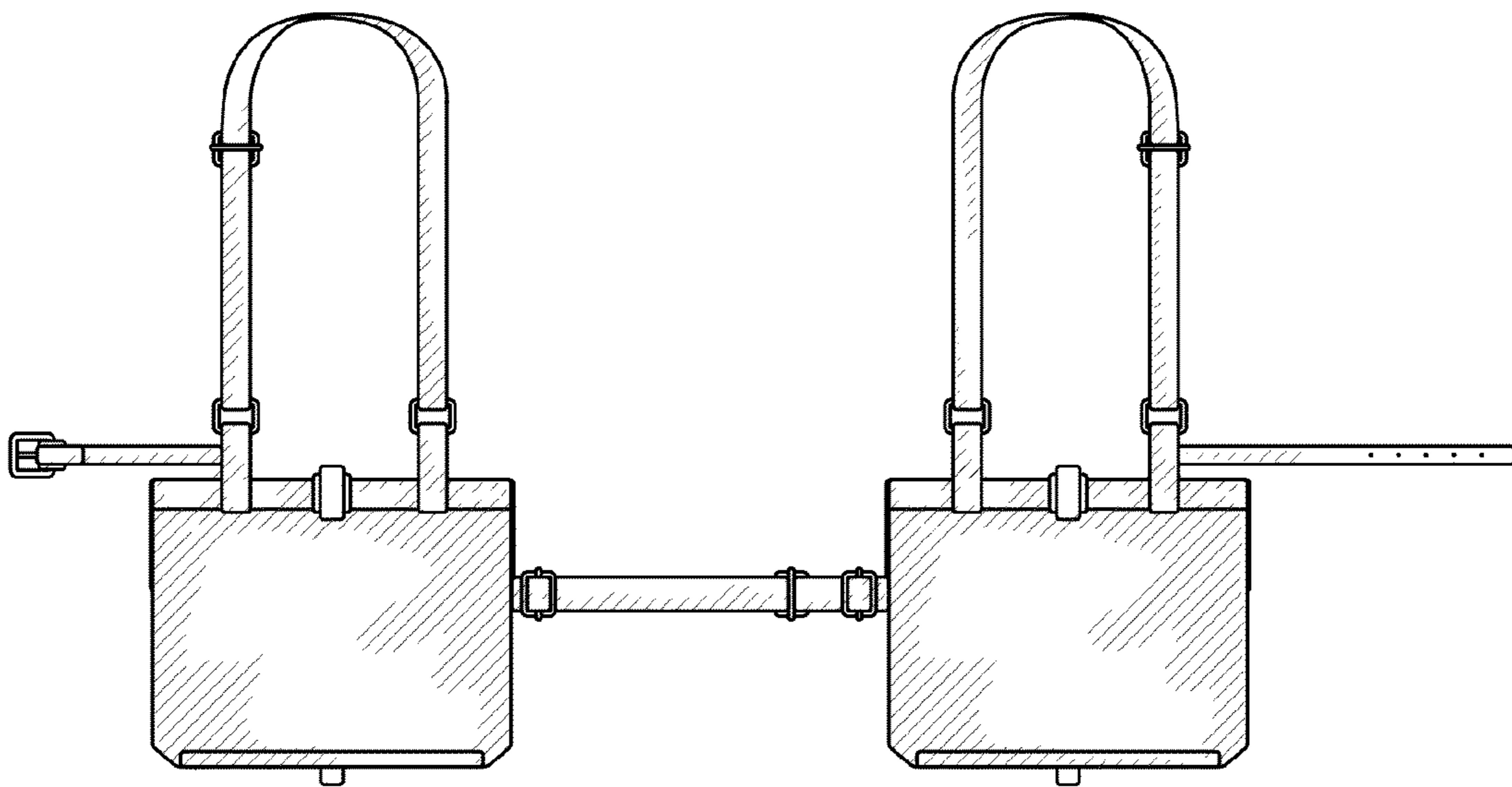


FIG. 3

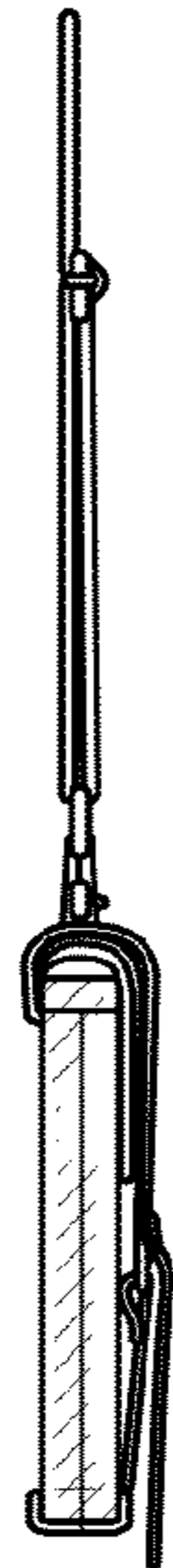


FIG. 4



FIG. 5

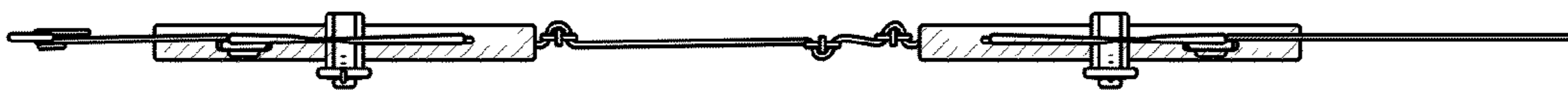


FIG. 6



FIG. 7

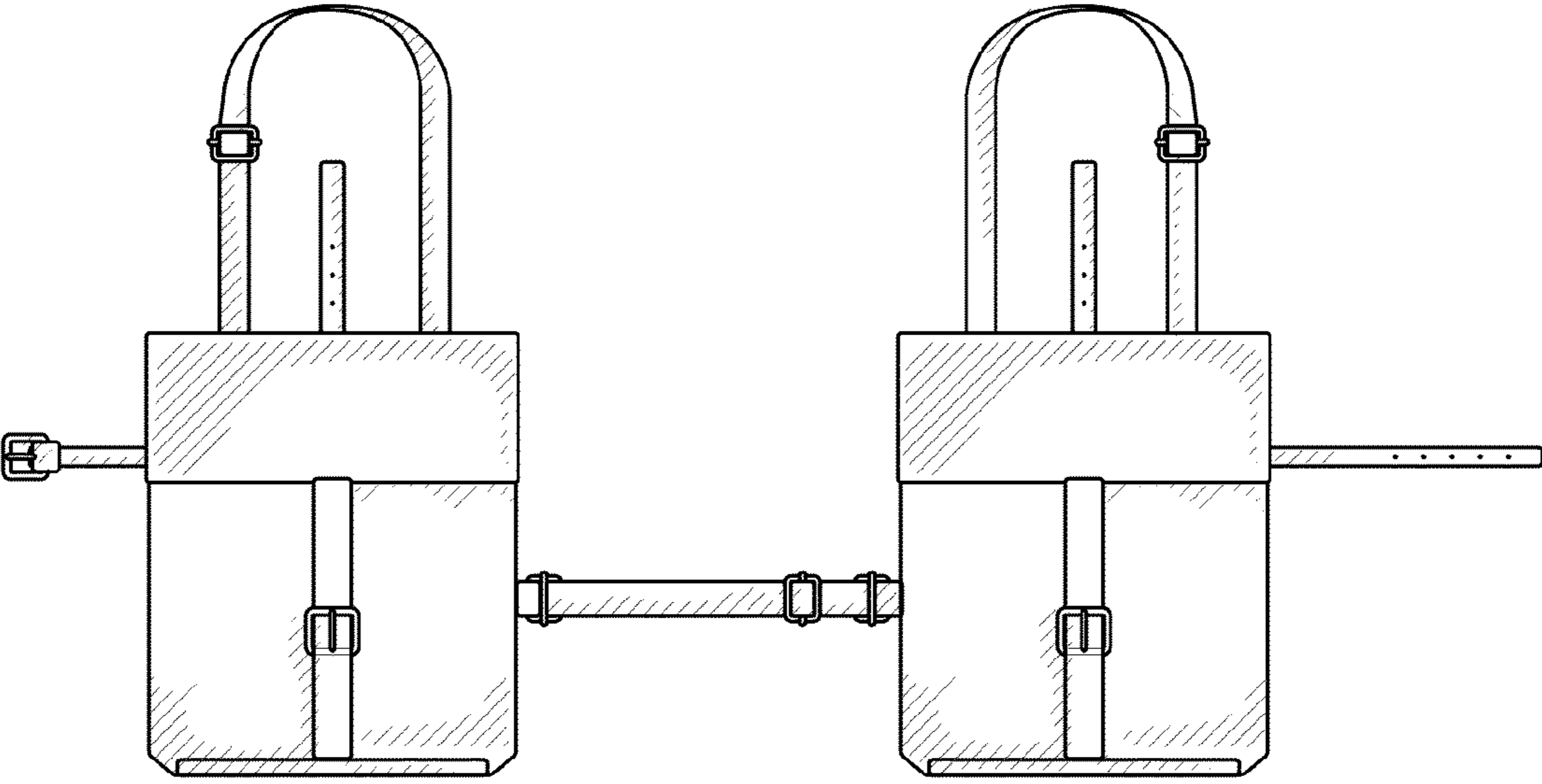


FIG. 8