



US00D715541S

(12) **United States Design Patent**
Morszeck

(10) **Patent No.:** **US D715,541 S**
(45) **Date of Patent:** **** Oct. 21, 2014**

(54) **BAG**
(71) Applicant: **Rimowa GmbH**, Cologne (DE)
(72) Inventor: **Dieter Morszeck**, Cologne (DE)
(73) Assignee: **Rimowa GmbH**, Cologne (DE)
(**) Term: **14 Years**
(21) Appl. No.: **29/456,141**
(22) Filed: **May 29, 2013**

(30) **Foreign Application Priority Data**
Nov. 29, 2012 (EP) 002144337-0001
(51) **LOC (10) Cl.** **03-01**
(52) **U.S. Cl.**
USPC **D3/232**
(58) **Field of Classification Search**
CPC A45C 1/024; A45C 3/06
USPC D3/232-233, 240-243, 245-246;
150/100, 103-110, 113-114, 117-119
See application file for complete search history.

(56) **References Cited**
U.S. PATENT DOCUMENTS
D105,021 S * 6/1937 Landis D3/243
D633,713 S * 3/2011 Bode D3/232
* cited by examiner
Primary Examiner — Holly Baynham
(74) *Attorney, Agent, or Firm* — Maier & Maier, PLLC

(57) **CLAIM**
The ornamental design for a bag, as shown and described.

DESCRIPTION
FIG. 1 is a perspective view of a bag, showing my design;
FIG. 2 is a front view thereof;
FIG. 3 is a rear view thereof;
FIG. 4 is a left side view thereof;
FIG. 5 is a right side view thereof;
FIG. 6 is a top view thereof; and,
FIG. 7 is a bottom view thereof.

1 Claim, 5 Drawing Sheets



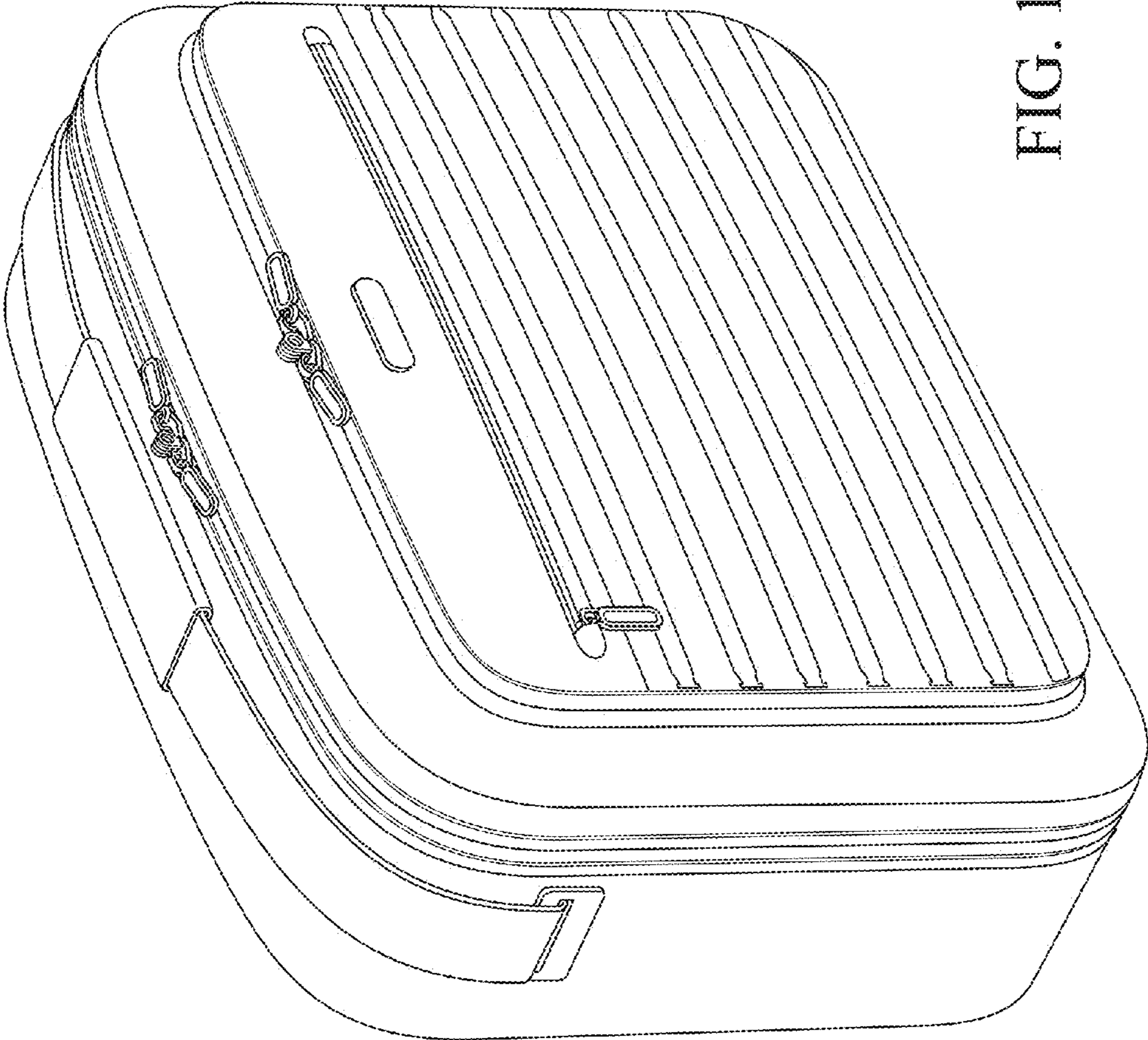


FIG. 1

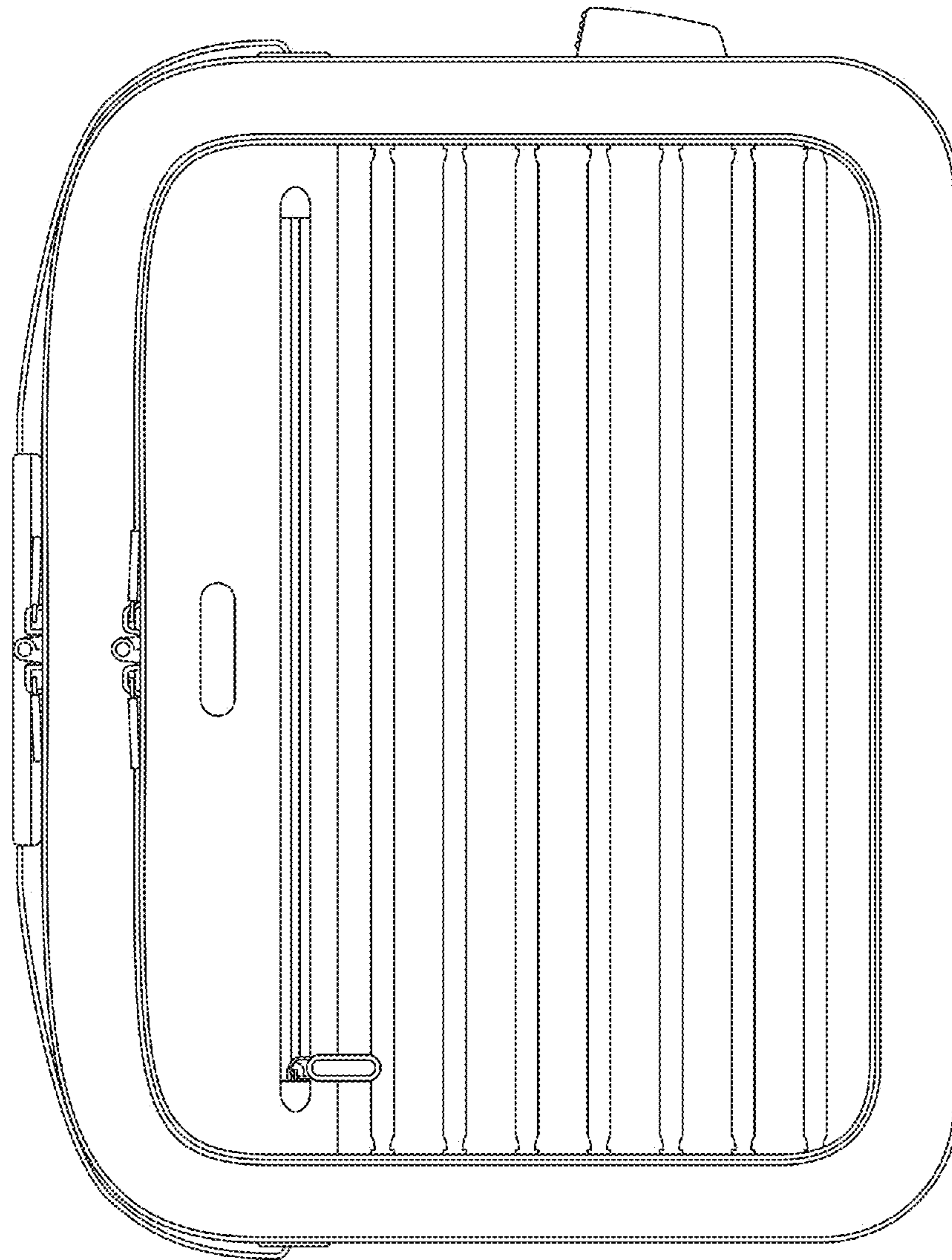


FIG. 2

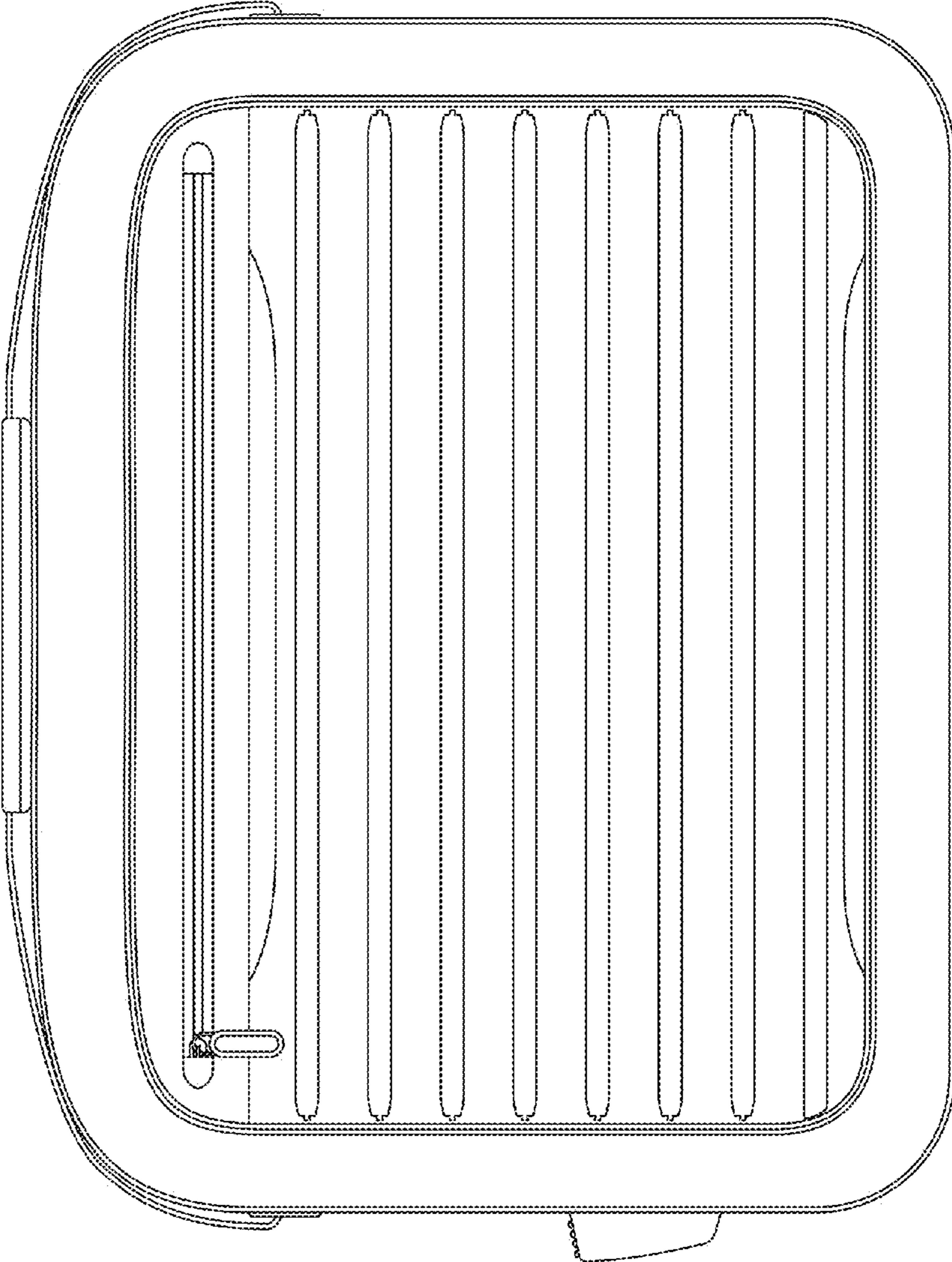


FIG. 3

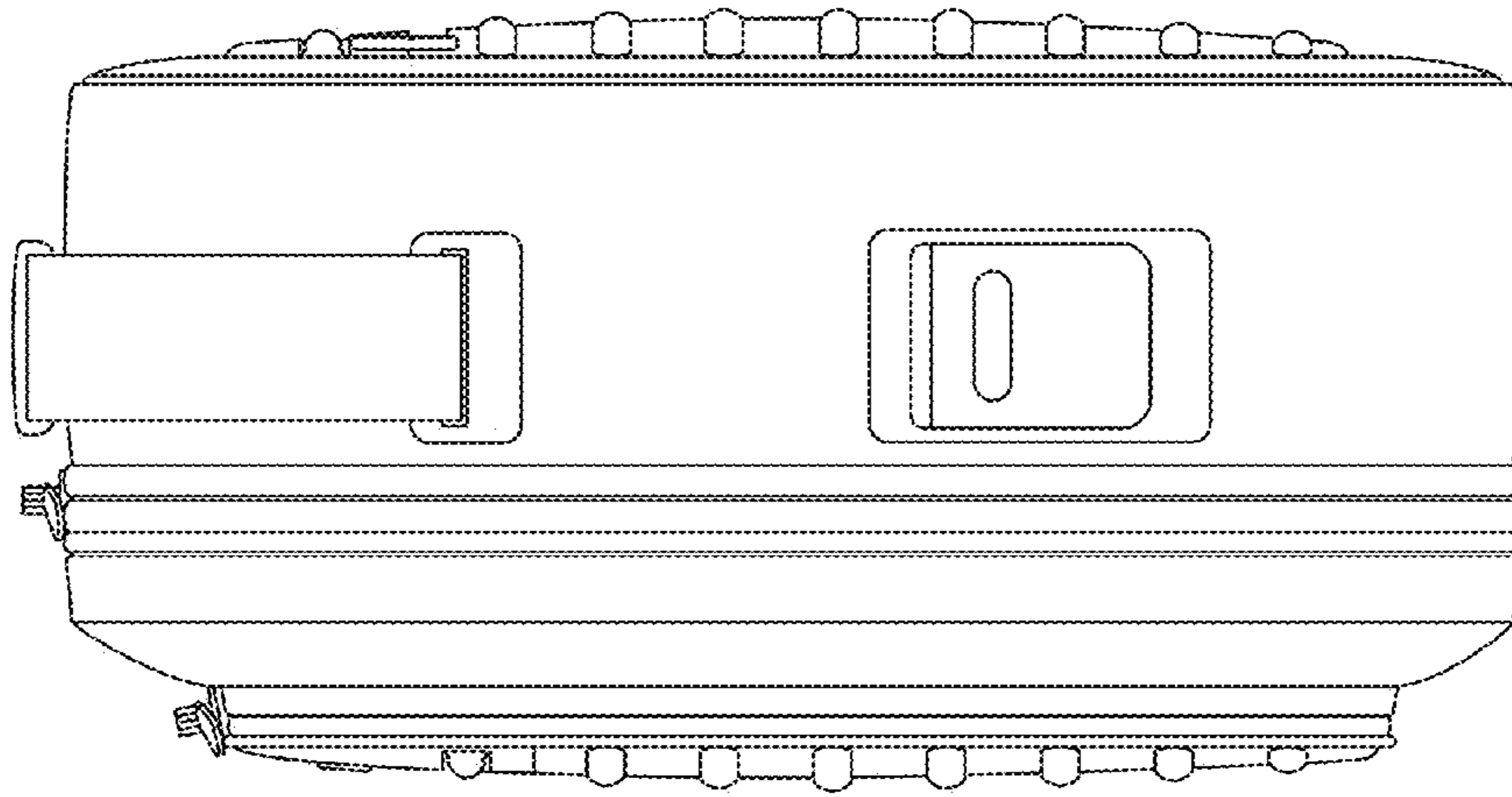


FIG. 5

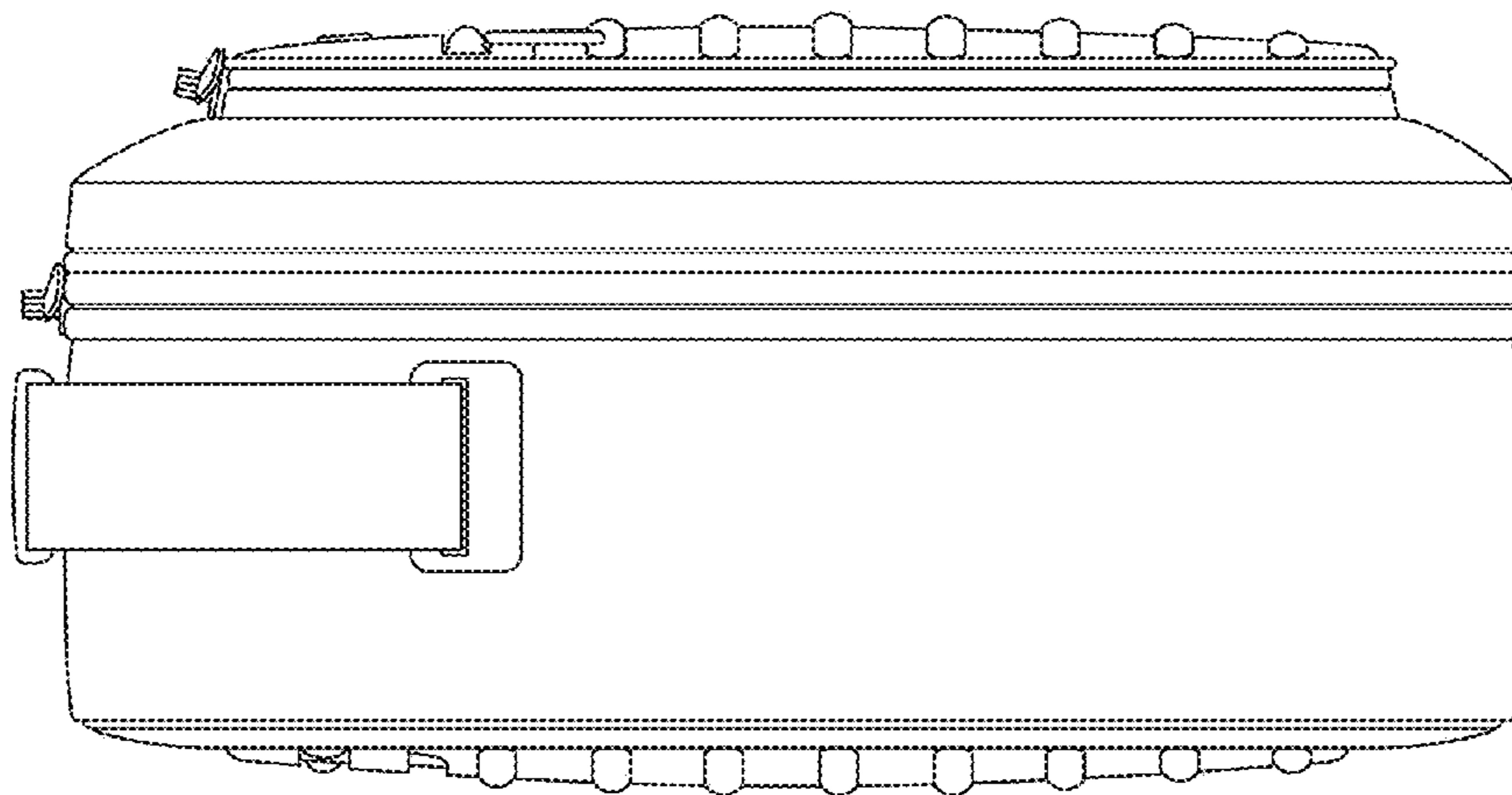


FIG. 4

FIG. 6

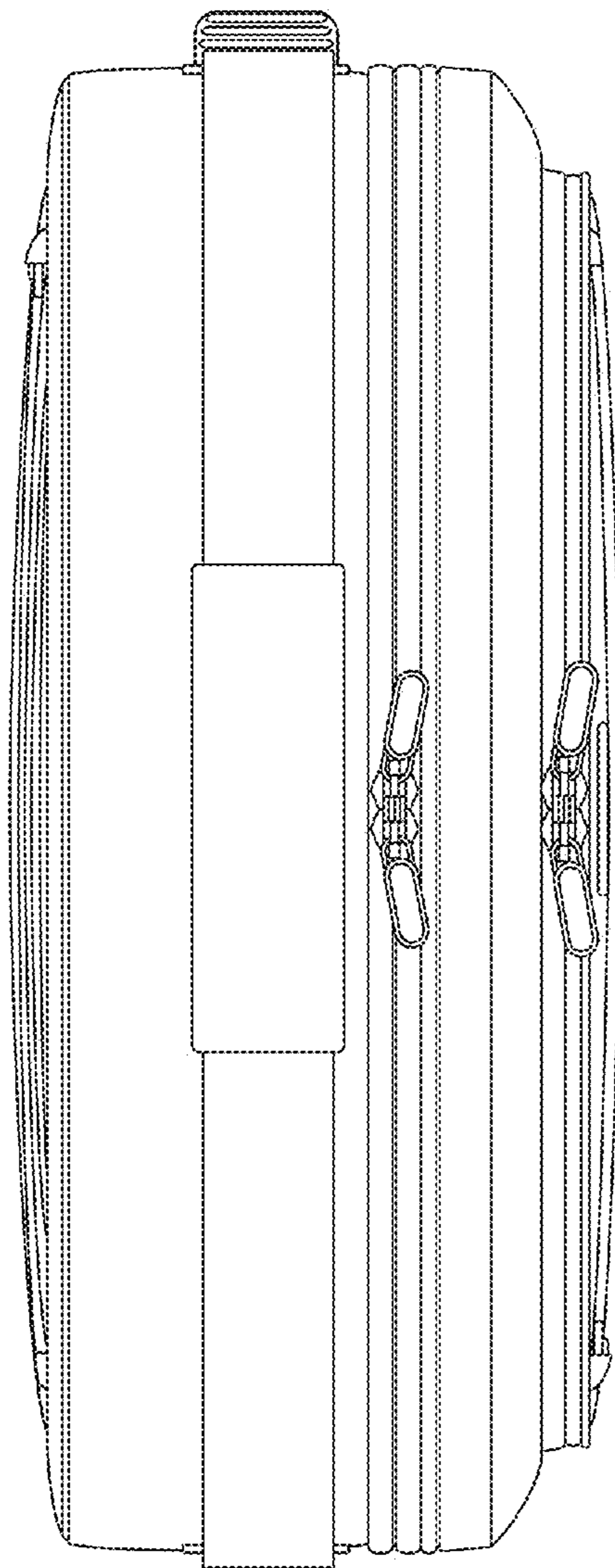


FIG. 7

