



US00D715540S

(12) **United States Design Patent**
Ghisellini

(10) **Patent No.:** **US D715,540 S**

(45) **Date of Patent:** **** Oct. 21, 2014**

(54) **HANDBAG WITH ORNAMENT**

(71) Applicant: **Elena Ghisellini**, Florence (IT)

(72) Inventor: **Elena Ghisellini**, Florence (IT)

(**) Term: **14 Years**

(21) Appl. No.: **29/449,927**

(22) Filed: **Mar. 15, 2013**

(30) **Foreign Application Priority Data**

Sep. 18, 2012 (EM) 002105262

(51) **LOC (10) Cl.** **03-01**

(52) **U.S. Cl.**
USPC **D3/232**

(58) **Field of Classification Search**
USPC D3/232-234, 238, 240-243, 245-246;
150/100, 103-110, 113-114, 117-119
See application file for complete search history.

(56) **References Cited**

U.S. PATENT DOCUMENTS

D631,248 S * 1/2011 Ricany D3/234
D644,430 S * 9/2011 Neeson D3/238

* cited by examiner

Primary Examiner — Holly Baynham

(74) *Attorney, Agent, or Firm* — Duane Morris LLP

(57) **CLAIM**

I claim the ornamental design for a handbag with ornament, as shown and described.

DESCRIPTION

FIG. 1 is a perspective view of a handbag according to the present invention.

FIG. 2 is a front view of the handbag of FIG. 1.

FIG. 3 is a rear view of the handbag of FIG. 1.

FIG. 4 is a left side view of the handbag of FIG. 1.

FIG. 5 is a right side view of the handbag of FIG. 1.

FIG. 6 is a top view of the handbag of FIG. 1.

FIG. 7 is a bottom view of the handbag of FIG. 1.

FIG. 8 is a perspective view of a second embodiment of a handbag according to the present invention.

FIG. 9 is a front view of the handbag of FIG. 8.

FIG. 10 is a rear view of the handbag of FIG. 8.

FIG. 11 is a left side view of the handbag of FIG. 8.

FIG. 12 is a right side view of the handbag of FIG. 8.

FIG. 13 is a top view of the handbag of FIG. 8; and,

FIG. 14 is a bottom view of the handbag of FIG. 8.

The broken lines showing the handbag handle are for the purposes of illustrating environment and forms no part of the claimed design.

1 Claim, 14 Drawing Sheets

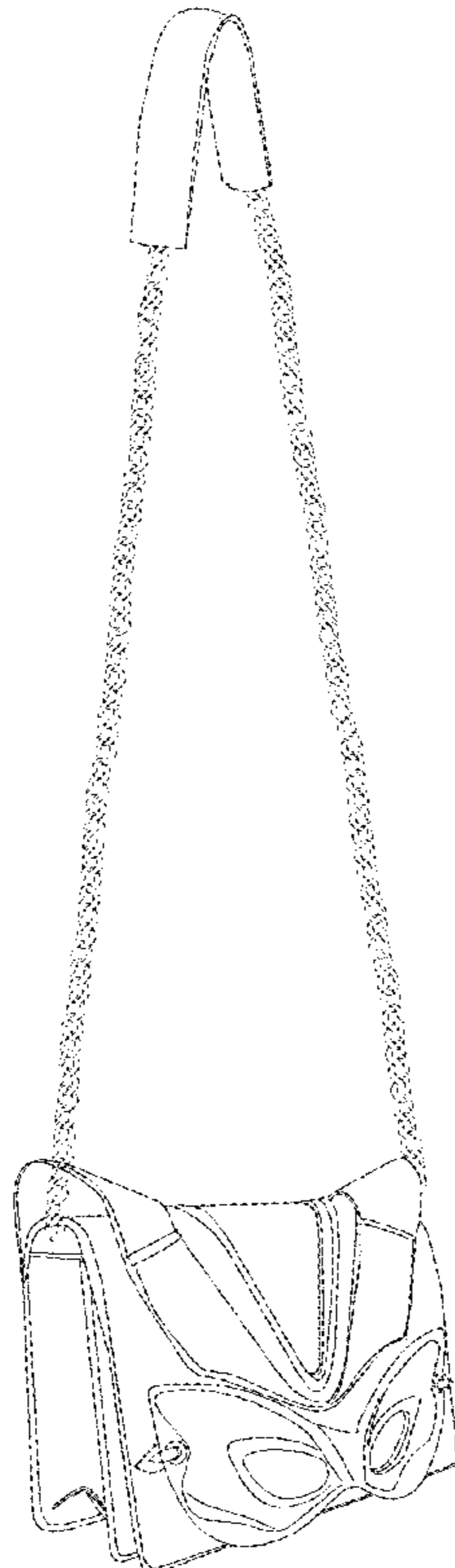




FIG. 1



FIG. 2



FIG. 3

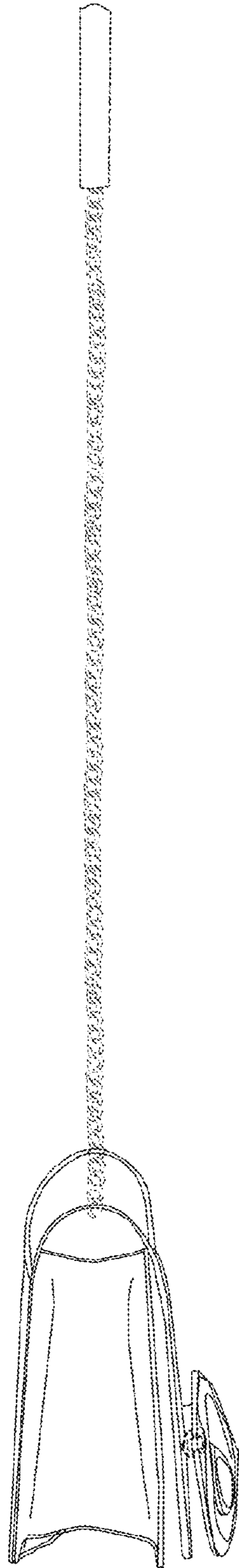


FIG. 4

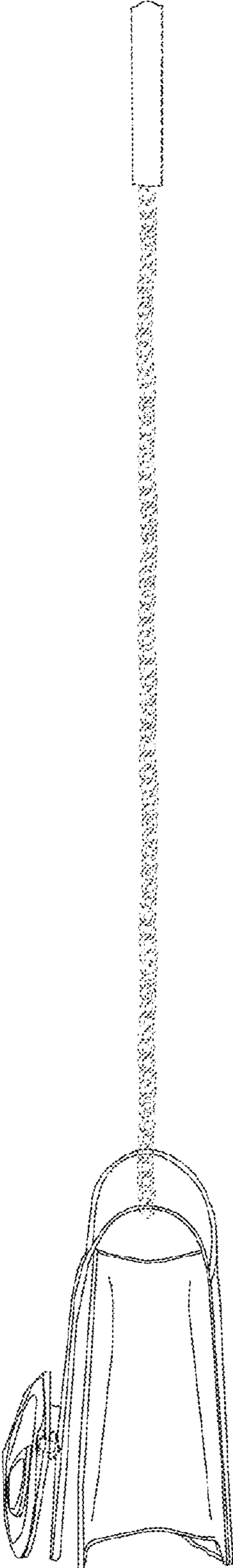


FIG. 5

FIG. 6

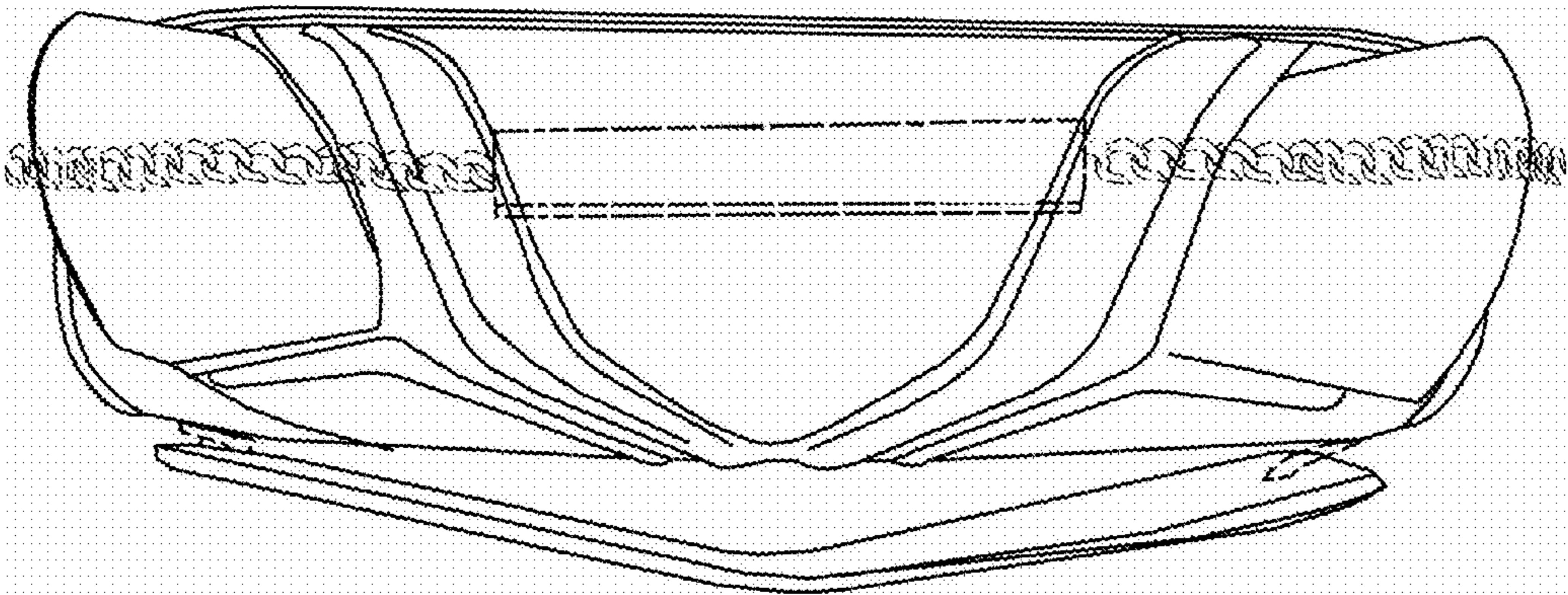
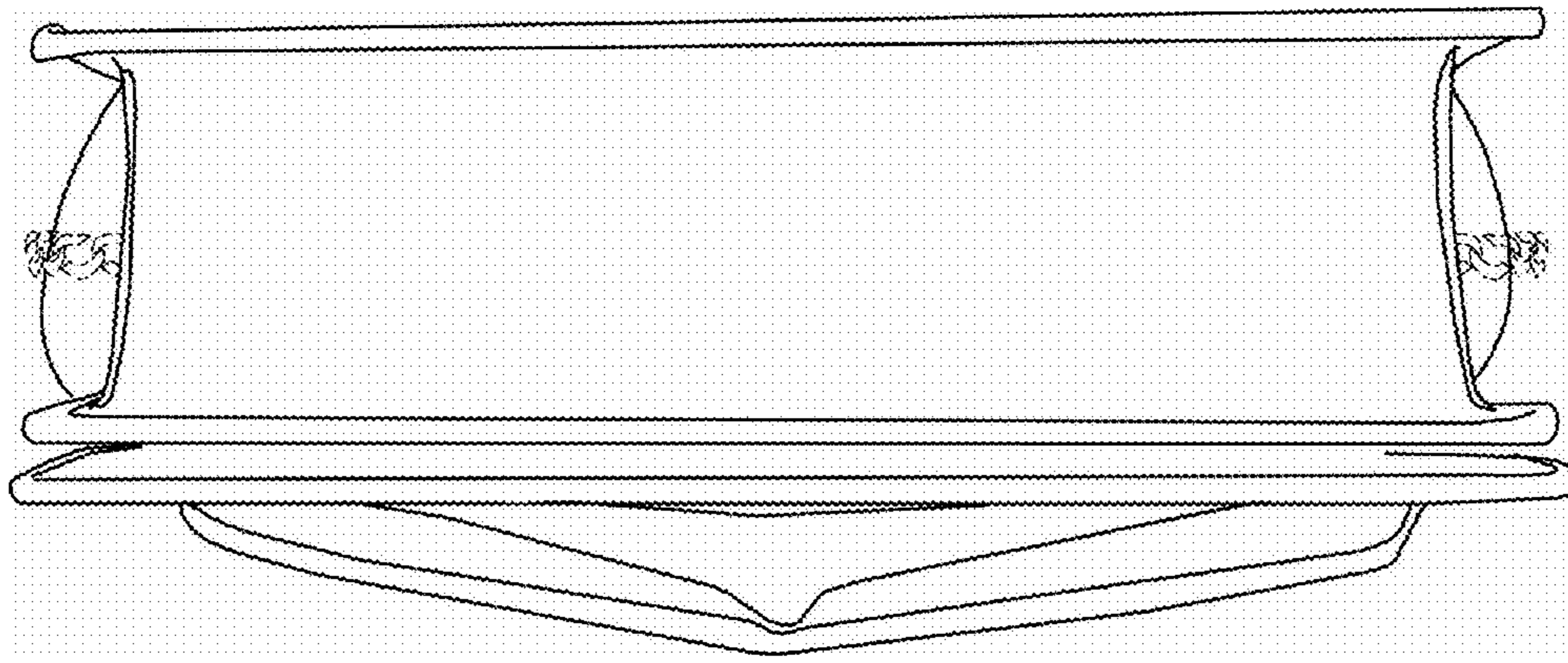


FIG. 7



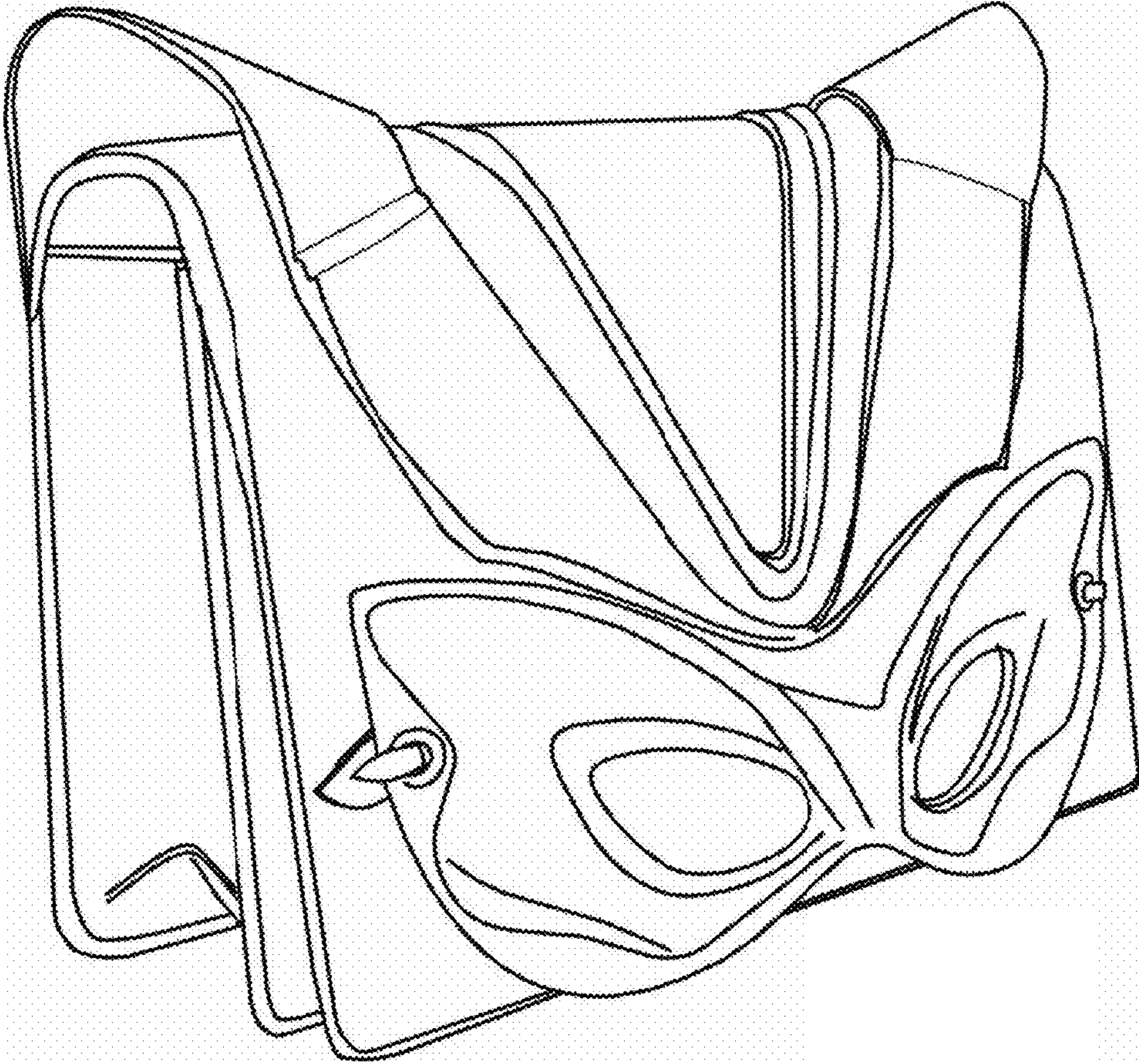


FIG. 8

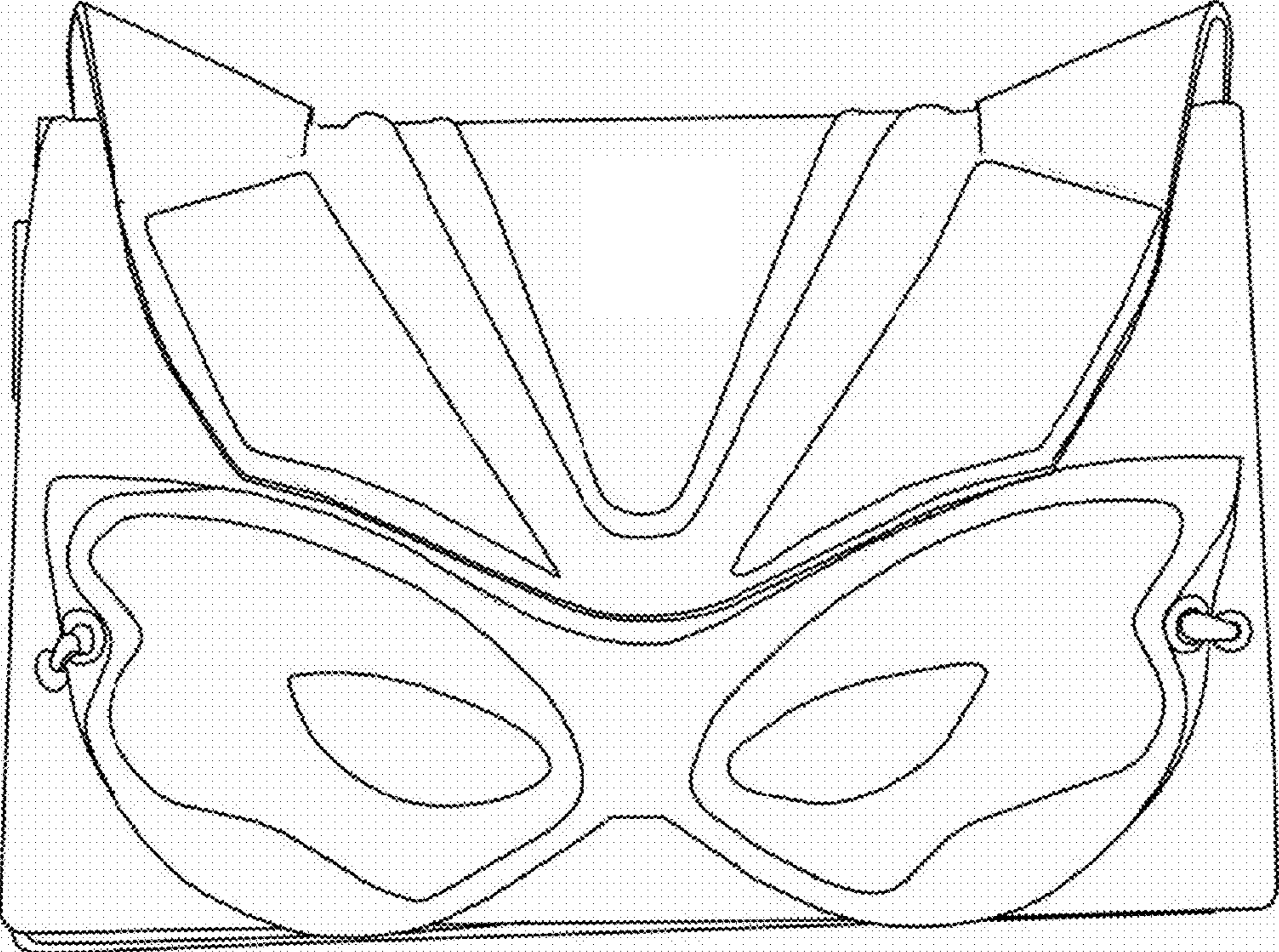


FIG. 9

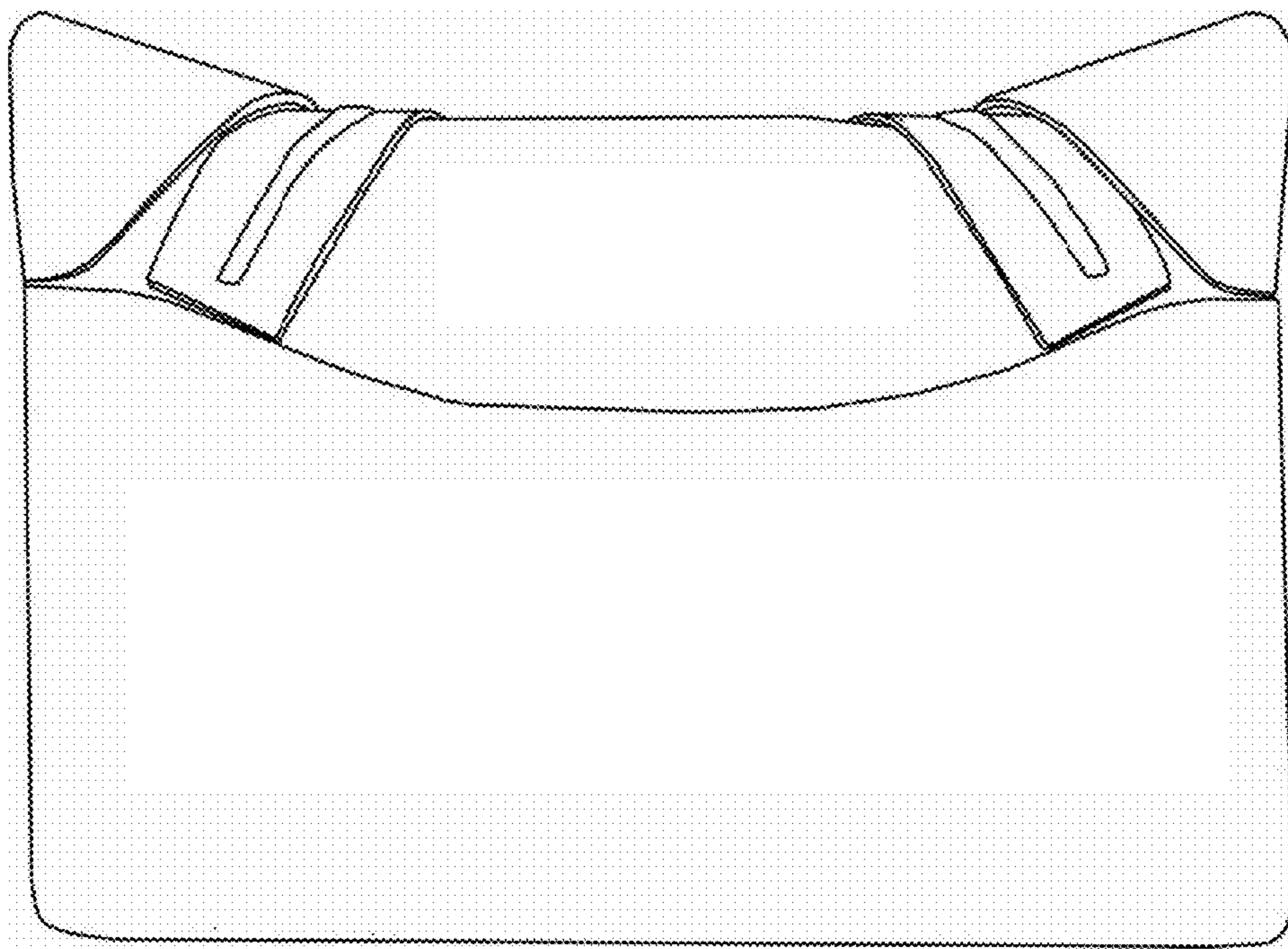


FIG. 10

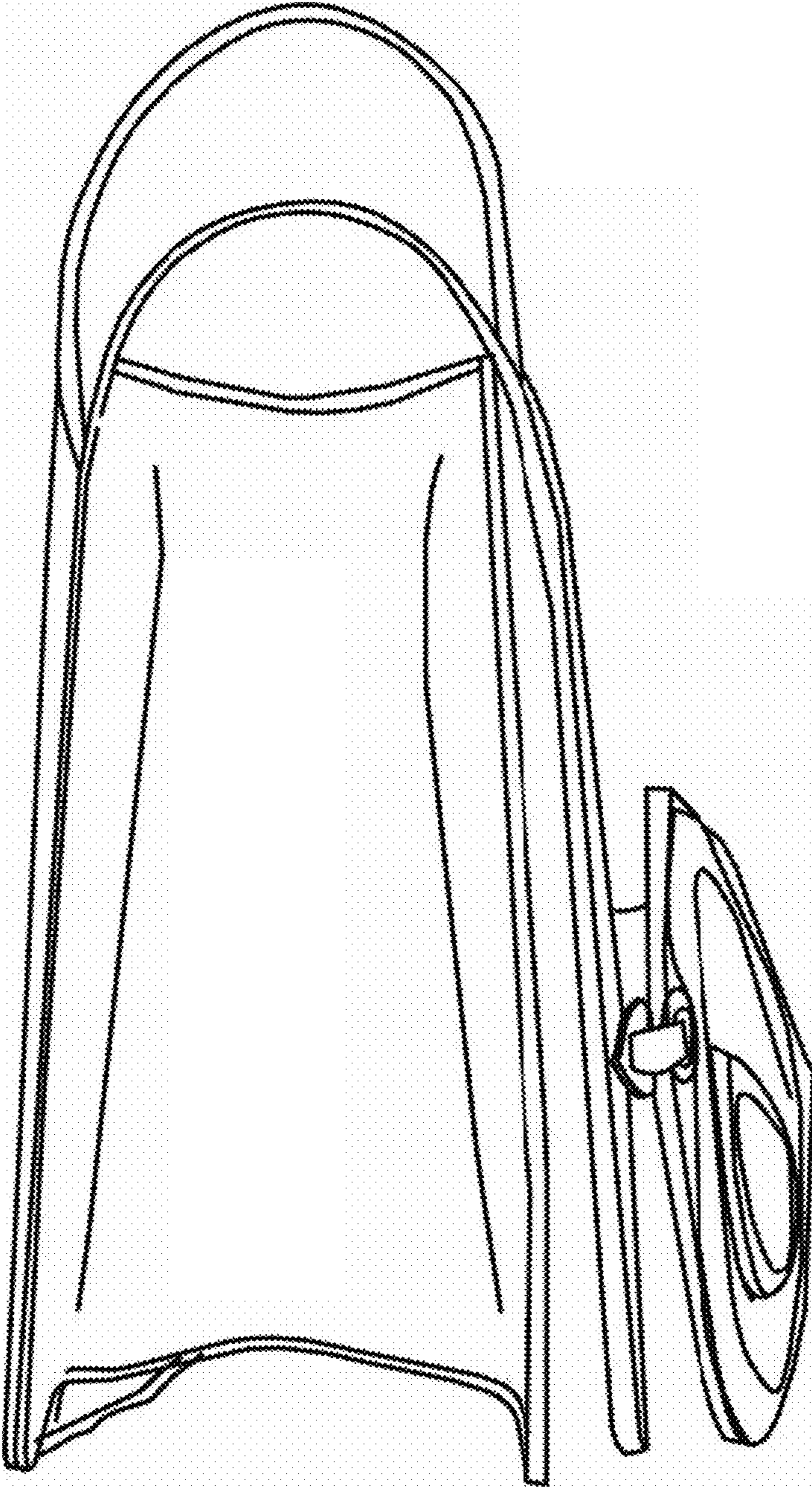


FIG. 11

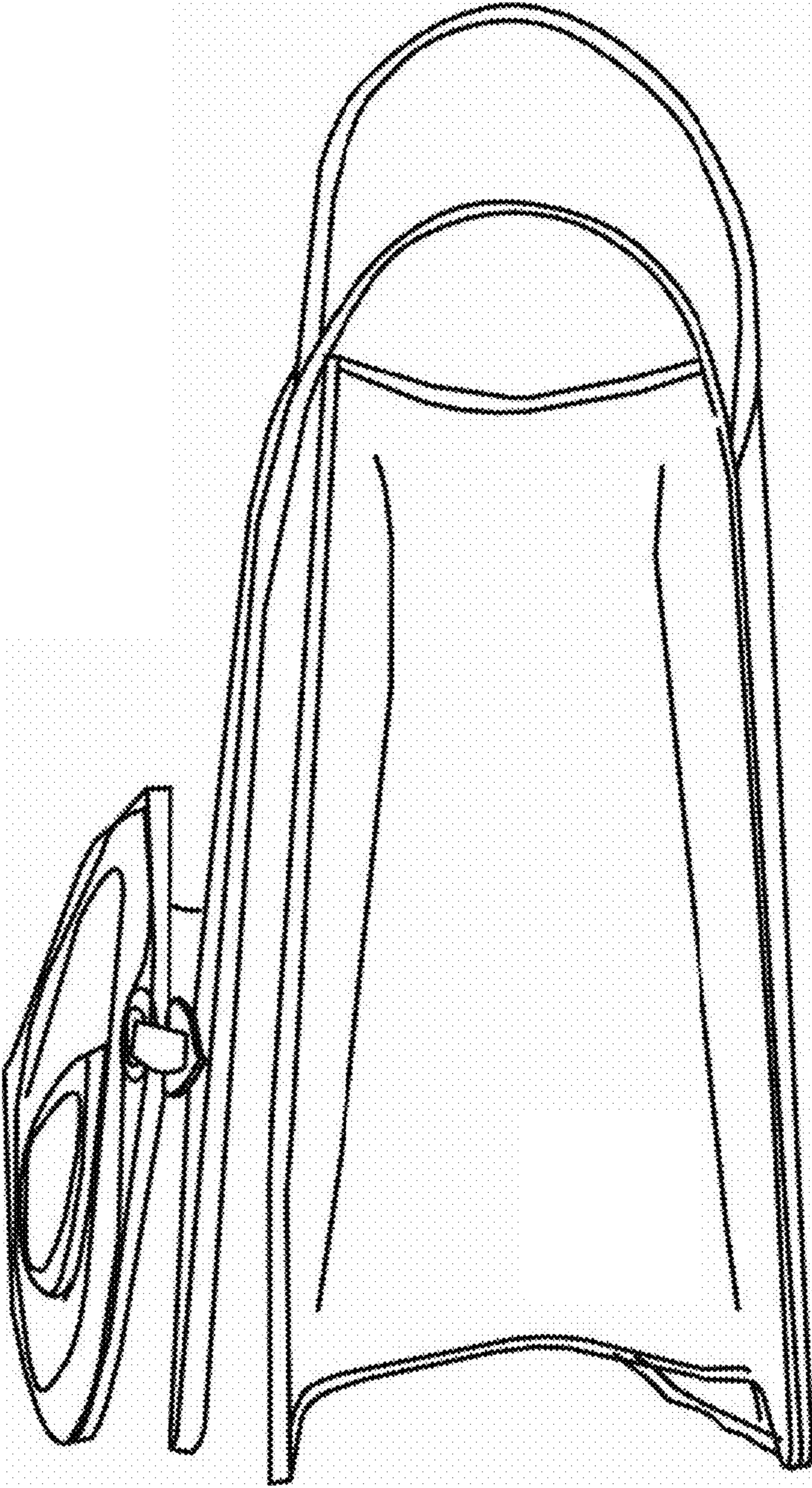


FIG. 12

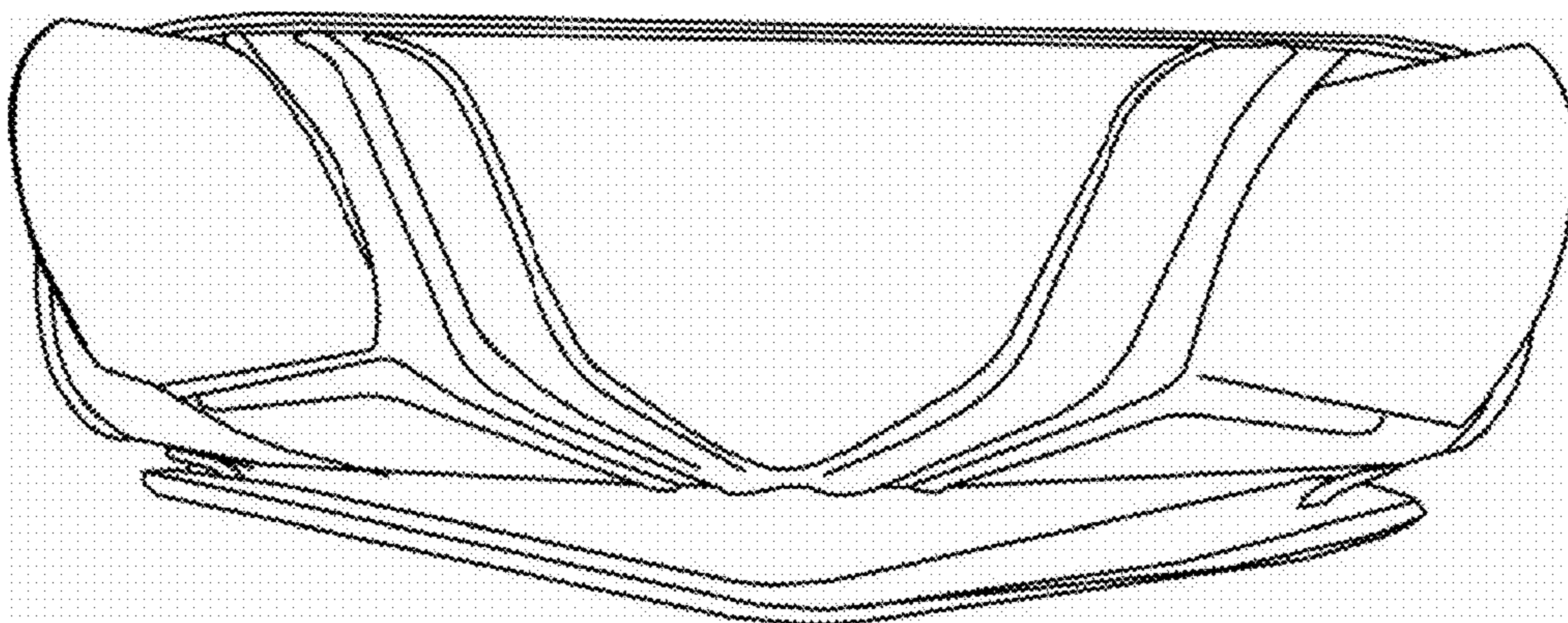


FIG. 13

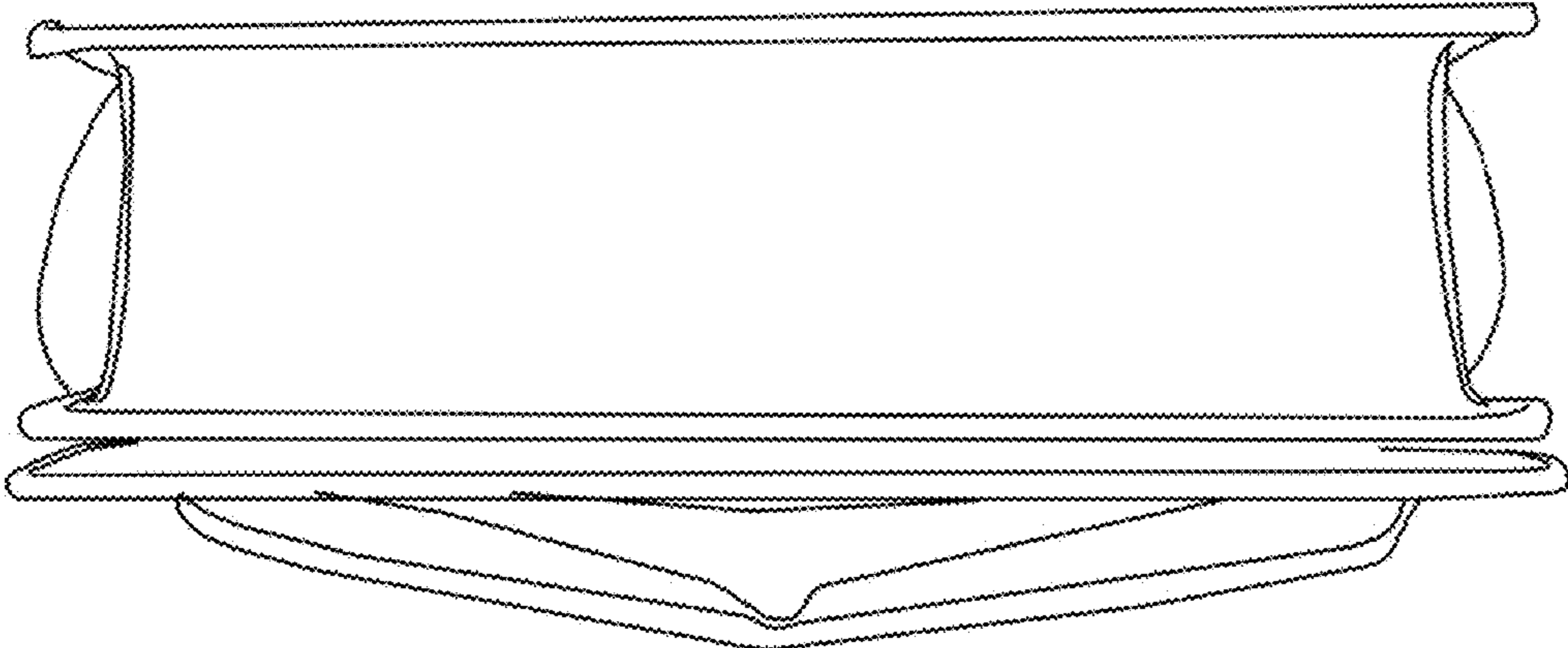


FIG. 14