

US00D715539S

(12) **United States Design Patent**  
**Bauer et al.**

(10) **Patent No.:** **US D715,539 S**

(45) **Date of Patent:** **\*\* Oct. 21, 2014**

(54) **BAG WITH ASYMMETRICAL SEAM**

D351,062 S \* 10/1994 Shapland et al. .... D3/233  
D483,563 S \* 12/2003 Dwight et al. .... D3/243  
D607,205 S \* 1/2010 Sabbah ..... D3/243

(71) Applicants: **Eva Elizabeth Bauer**, Albany, CA (US);  
**Hetal Jariwala**, Albany, CA (US)

\* cited by examiner

(72) Inventors: **Eva Elizabeth Bauer**, Albany, CA (US);  
**Hetal Jariwala**, Albany, CA (US)

*Primary Examiner* — Holly Baynham

(73) Assignee: **flip & tumble, LLC**, Berkeley, CA (US)

(57) **CLAIM**

(\*\*) Term: **14 Years**

The ornamental design for a bag with asymmetrical seam, as shown and described.

(21) Appl. No.: **29/442,750**

**DESCRIPTION**

(22) Filed: **May 3, 2013**

(51) **LOC (10) Cl.** ..... **03-01**

(52) **U.S. Cl.**  
USPC ..... **D3/232**

(58) **Field of Classification Search**  
CPC ..... A45C 1/024; A45C 3/06  
USPC ..... D3/232–233, 240–243, 245–246;  
150/100, 103–110, 113–114, 117–119  
See application file for complete search history.

FIG. 1 is a perspective view

FIG. 2 is a front view

FIG. 3 is a back view

FIG. 4 is a top view

FIG. 5 is bottom view

FIG. 6 is a left side view; and,

FIG. 7 is a right side view.

The broken lines showing stitching are for the purposes of illustrating environment and form no part of the claimed design.

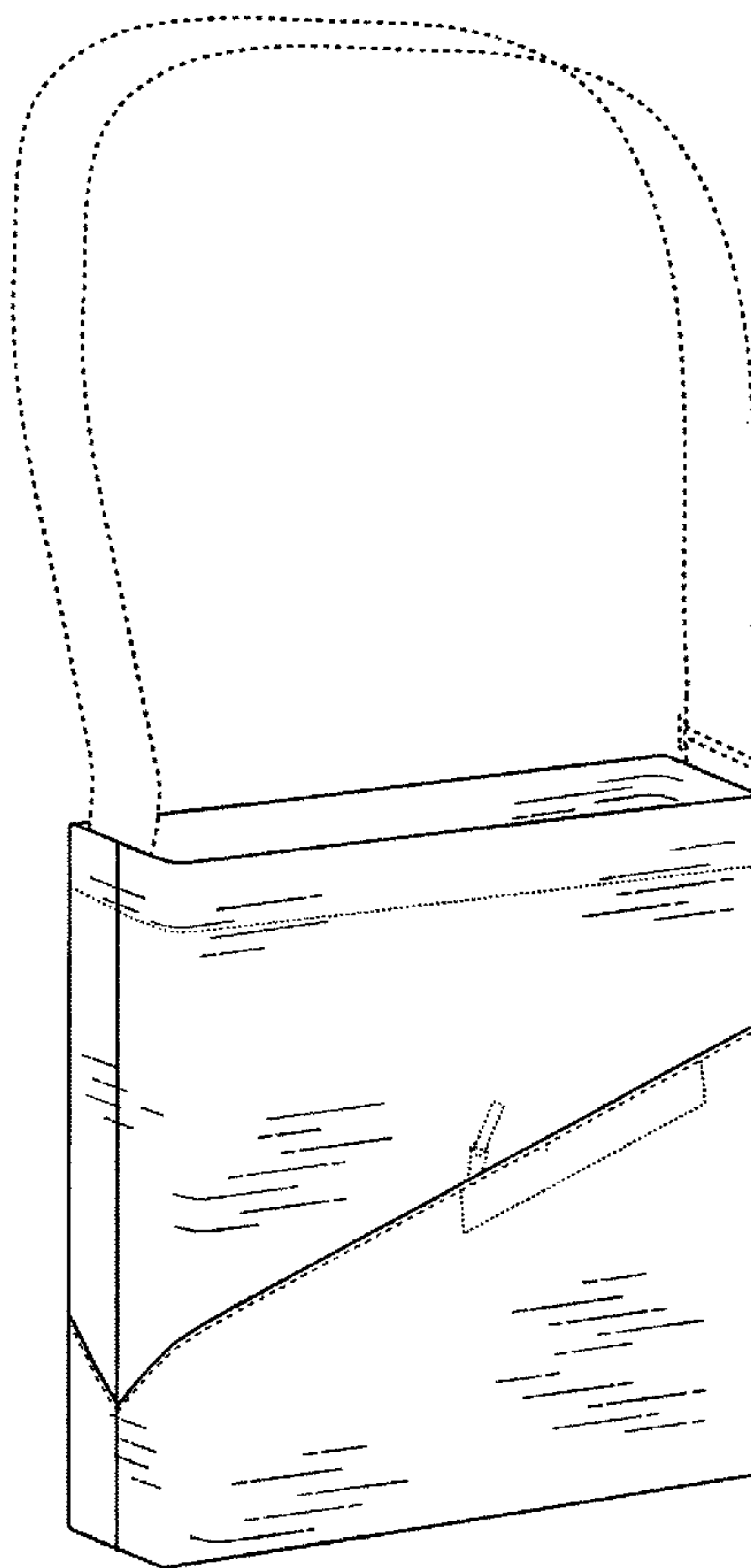
Our bag with asymmetrical seam is characterized by the asymmetrical seam across the front and back of the bag.

(56) **References Cited**

**U.S. PATENT DOCUMENTS**

2,550,199 A \* 4/1951 Moss ..... 150/104

**1 Claim, 5 Drawing Sheets**



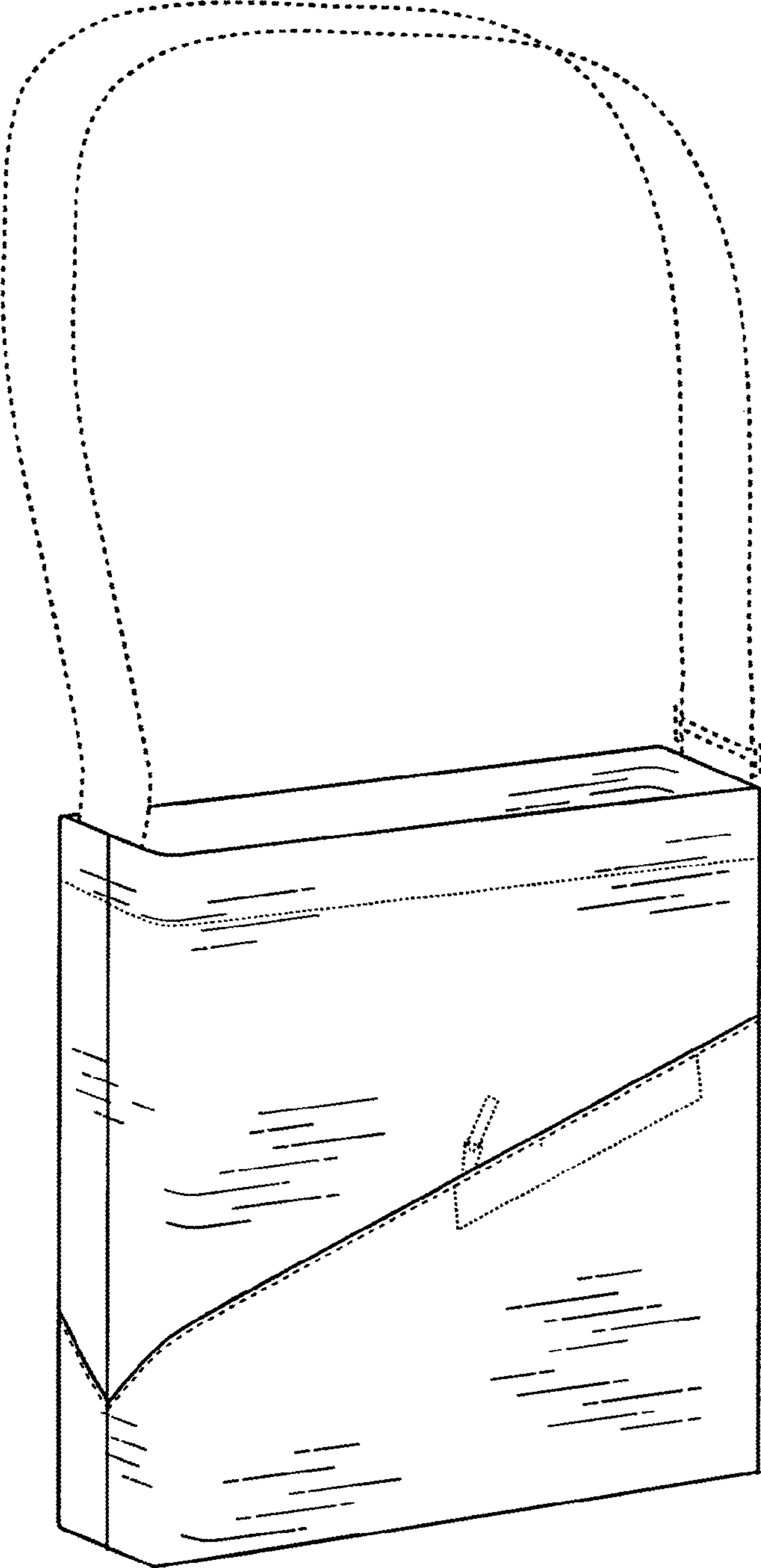


FIG. 1

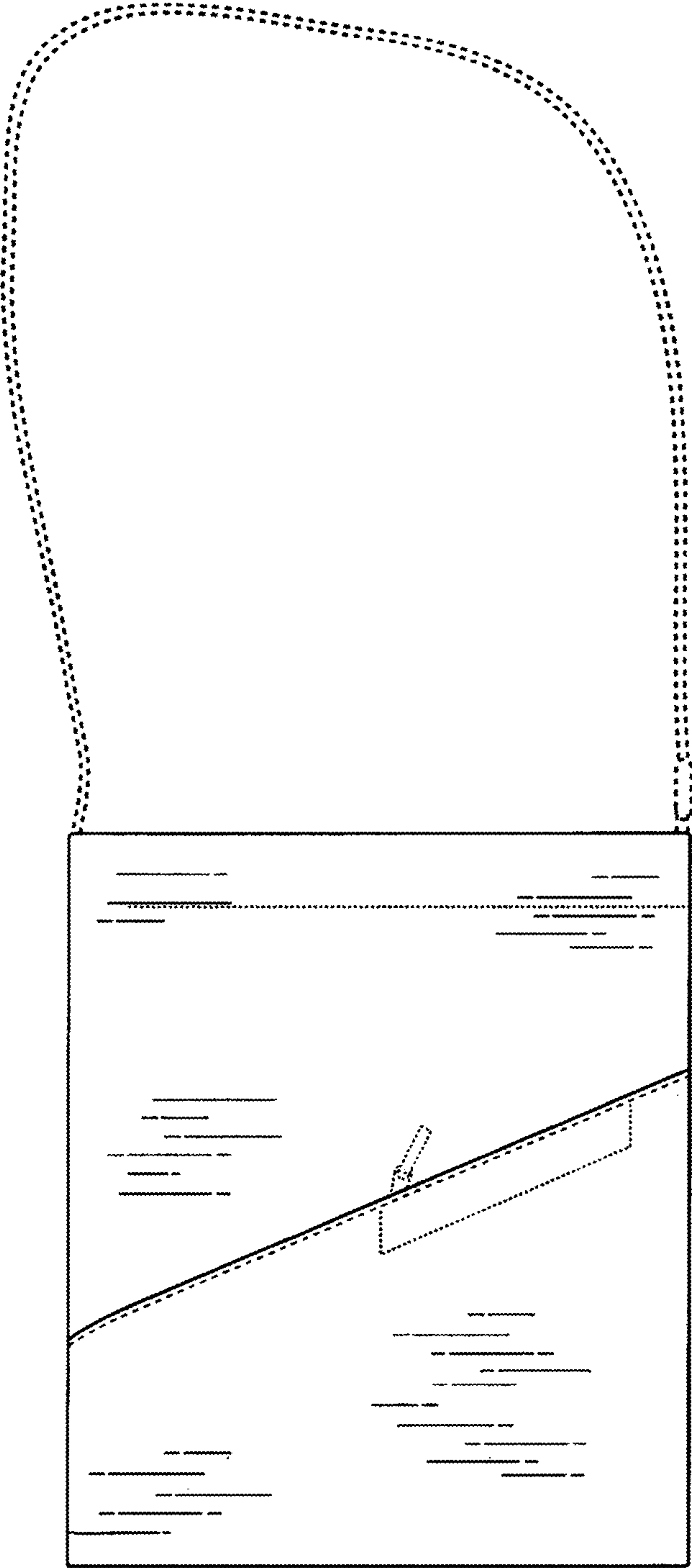


FIG. 2

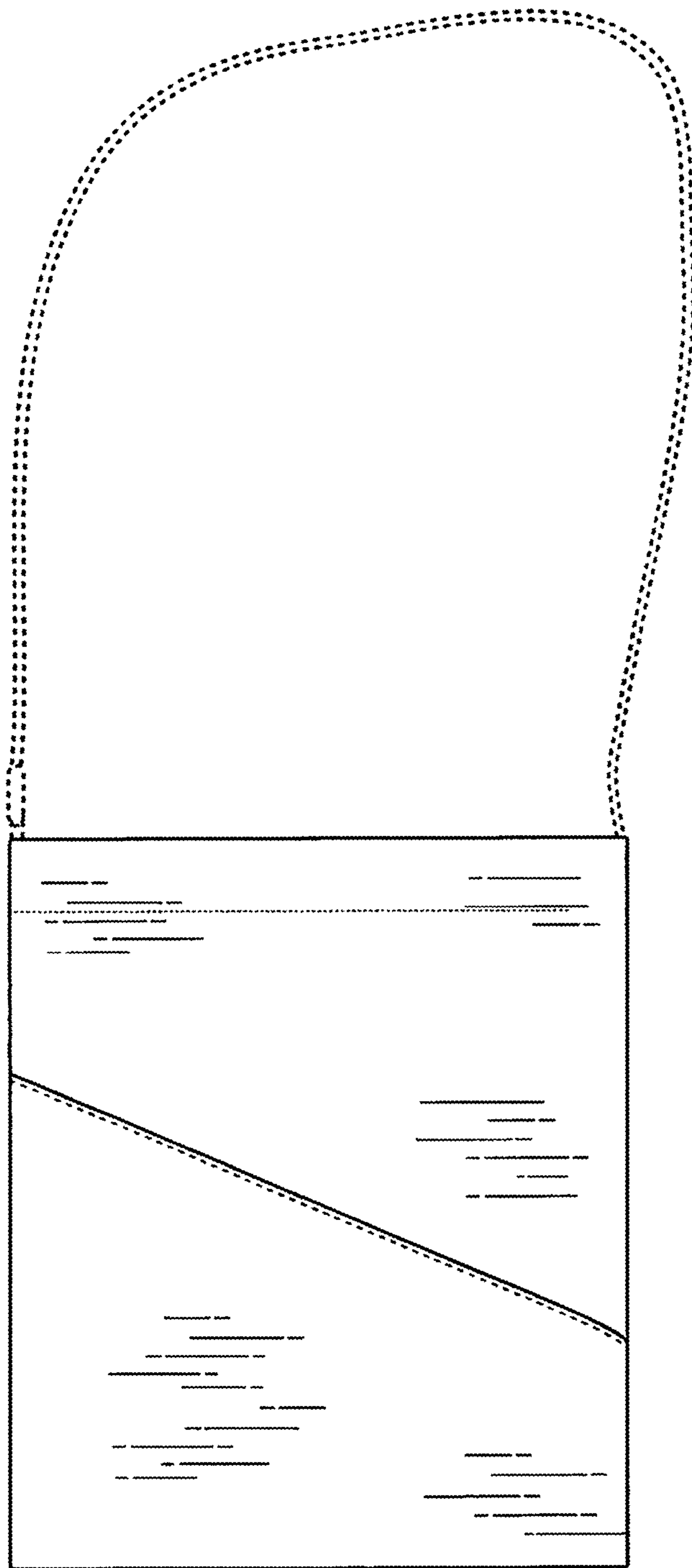


FIG. 3

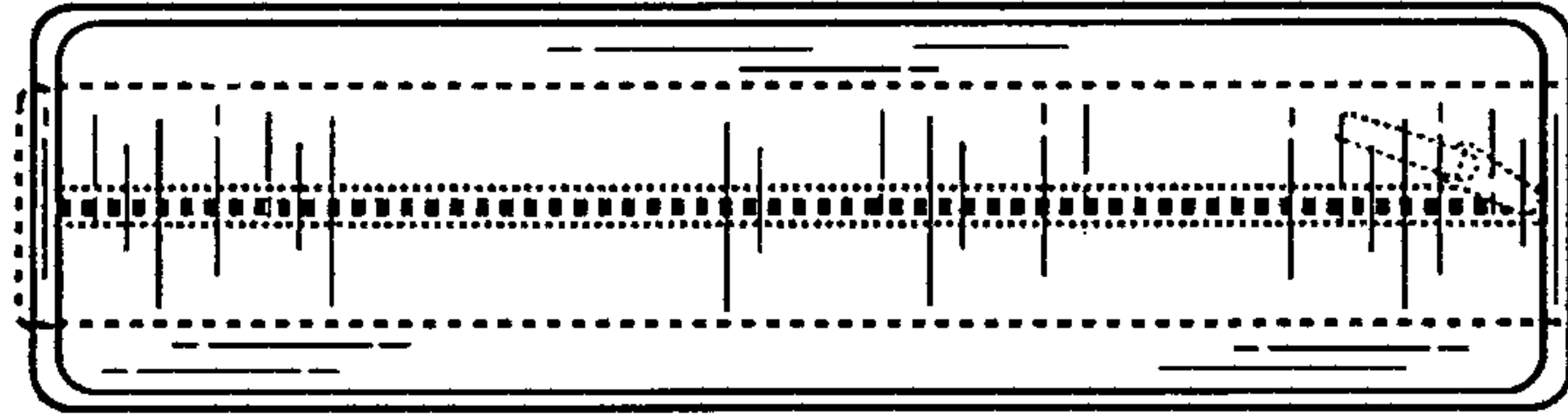


FIG. 4

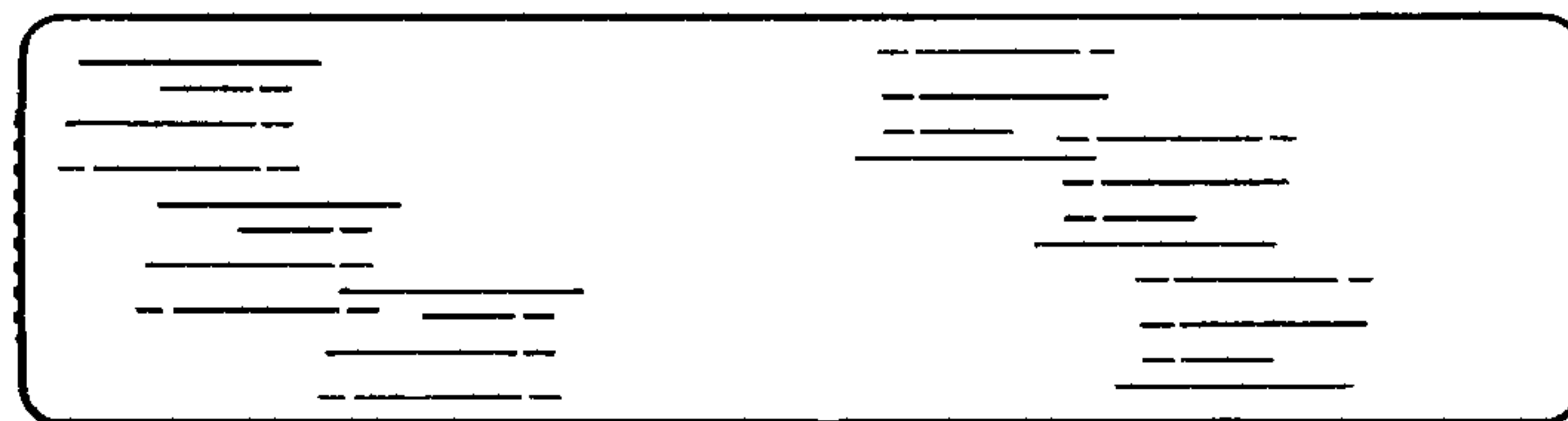


FIG. 5

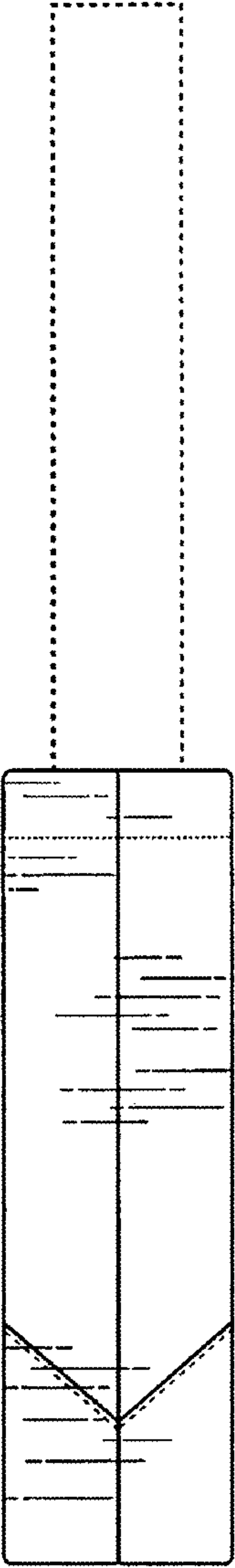


FIG. 6

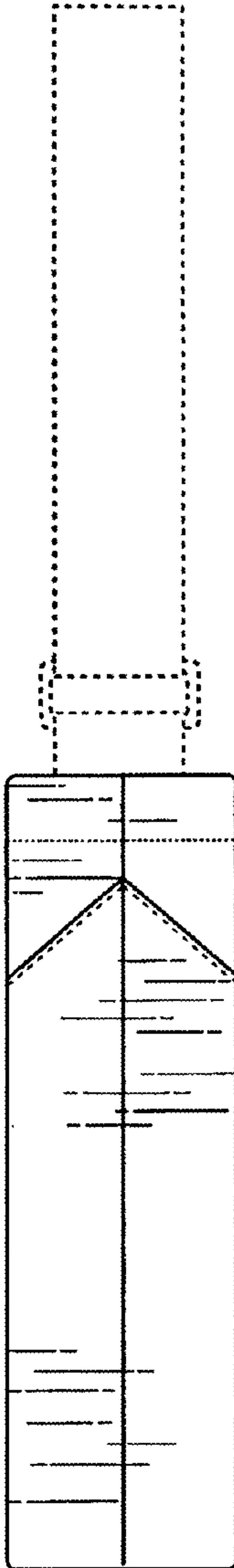


FIG. 7