



US00D715536S

(12) **United States Design Patent**  
**Basmaji**

(10) **Patent No.:** **US D715,536 S**

(45) **Date of Patent:** **\*\* Oct. 21, 2014**

(54) **PROTECTIVE CARRYING CASE WITH  
ACCESSORY COMPARTMENT**

D594,226 S \* 6/2009 Hofer et al. .... D3/218  
D606,301 S \* 12/2009 Hofer et al. .... D3/218  
D695,007 S \* 12/2013 Zhang ..... D3/218

(71) Applicant: **iKonnnect, LLC**, Waterford, MI (US)

\* cited by examiner

(72) Inventor: **Joseph Basmaji**, Waterford, MI (US)

*Primary Examiner* — Catheri Oliver-Garcia

(73) Assignee: **iKonnnect, LLC**, Waterford, MI (US)

(74) *Attorney, Agent, or Firm* — Alleman Hall McCoy  
Russell & Tuttle LLP

(\*\*) Term: **14 Years**

(57) **CLAIM**

The ornamental design for a protective carrying case with  
accessory compartment, as shown and described.

(21) Appl. No.: **29/476,067**

**DESCRIPTION**

(22) Filed: **Dec. 10, 2013**

(51) **LOC (10) Cl.** ..... **03-01**

(52) **U.S. Cl.**  
USPC ..... **D3/218**

(58) **Field of Classification Search**  
USPC ..... D3/218, 215, 201, 219, 224, 226, 228,  
D3/205, 269, 303; 224/240–241, 245, 578,  
224/674, 676–681, 901, 904; 206/305, 320;  
455/42, 90, 92; 379/455, 575.1–575.8;  
D14/138, 248, 250–251, 253

FIG. 1 shows a perspective view of a protective carrying case  
with accessory compartment.

FIG. 2 shows a front view of the protective carrying case with  
accessory compartment of FIG. 1.

FIG. 3 shows a rear view of the protective carrying case with  
accessory compartment of FIG. 1.

FIG. 4 shows a left side view of the protective carrying case  
with accessory compartment of FIG. 1.

FIG. 5 shows a right side view of the protective carrying case  
with accessory compartment of FIG. 1.

FIG. 6 shows a top view of the protective carrying case with  
accessory compartment of FIG. 1; and,

FIG. 7 shows a bottom view of the protective carrying case  
with accessory compartment of FIG. 1.

The stippling, stitching (long broken lines), and short broken  
lines in FIGS. 1-7 are for illustrative purposes only and form  
no part of the claimed design.

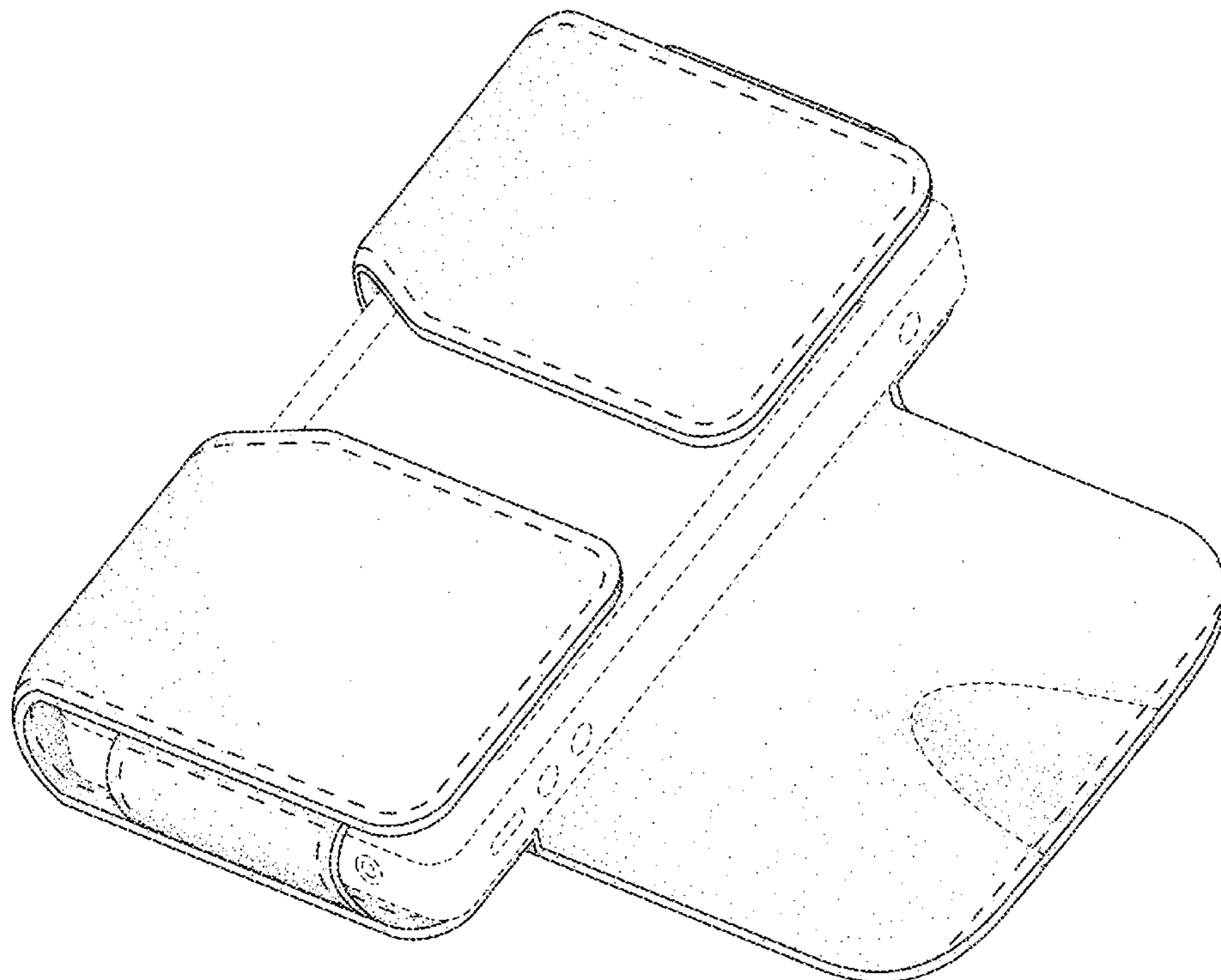
See application file for complete search history.

(56) **References Cited**

**U.S. PATENT DOCUMENTS**

D458,019 S \* 6/2002 Gur et al. .... D3/218  
6,612,432 B2 \* 9/2003 Motson ..... 206/305  
6,651,854 B1 \* 11/2003 LaCoste ..... 224/240  
D543,023 S \* 5/2007 Han et al. .... D3/218

**1 Claim, 5 Drawing Sheets**



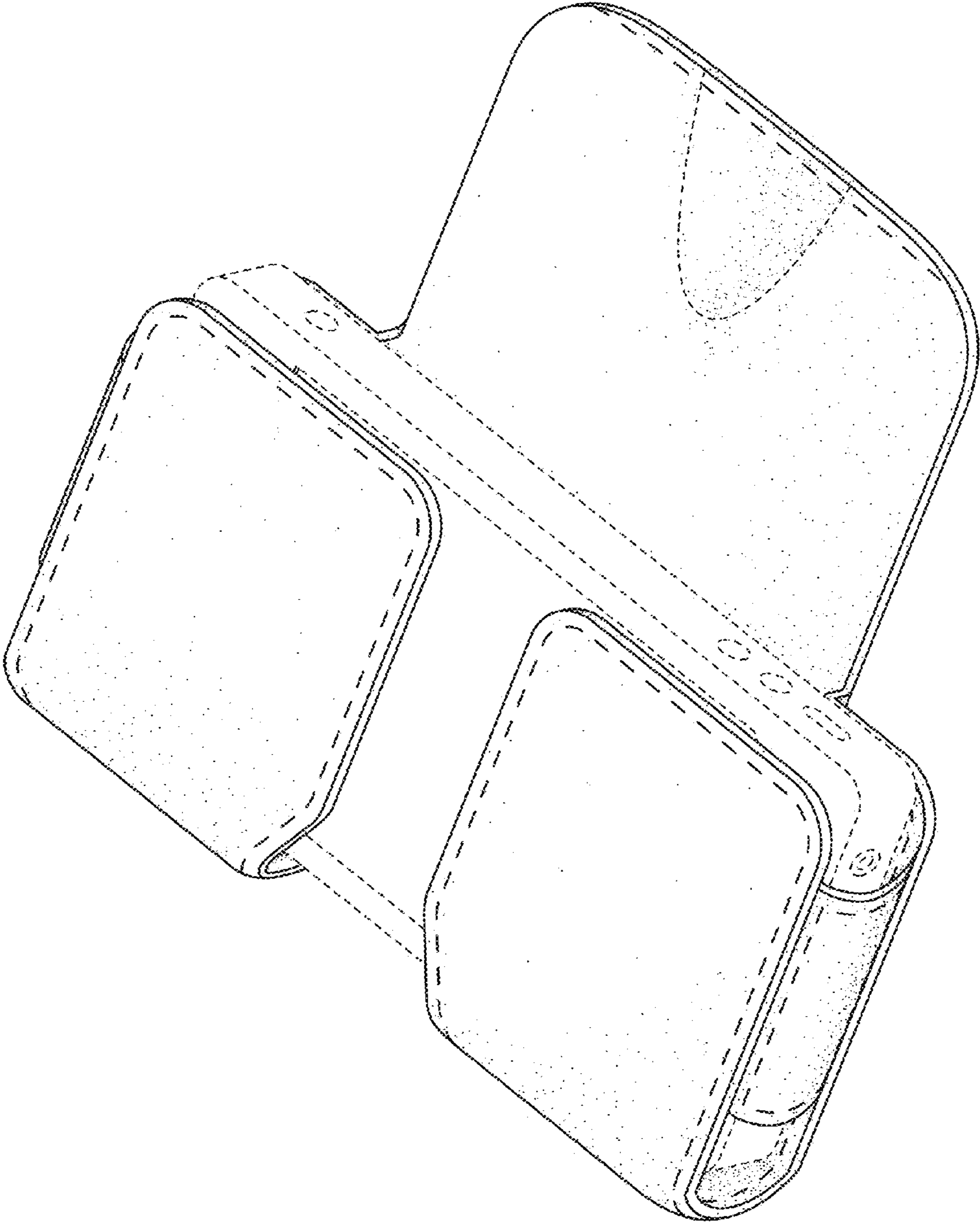


FIG. 1

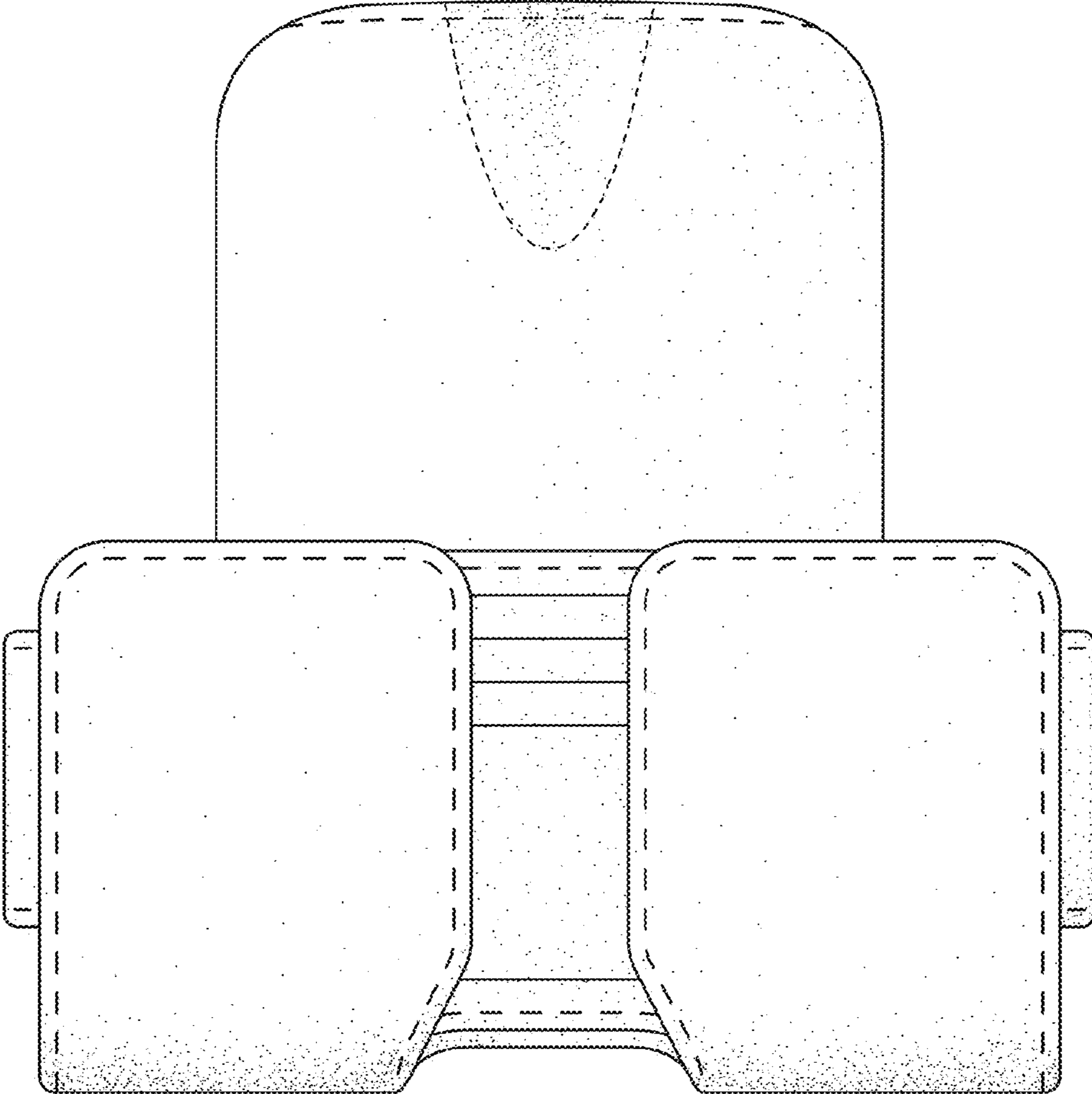


FIG. 2

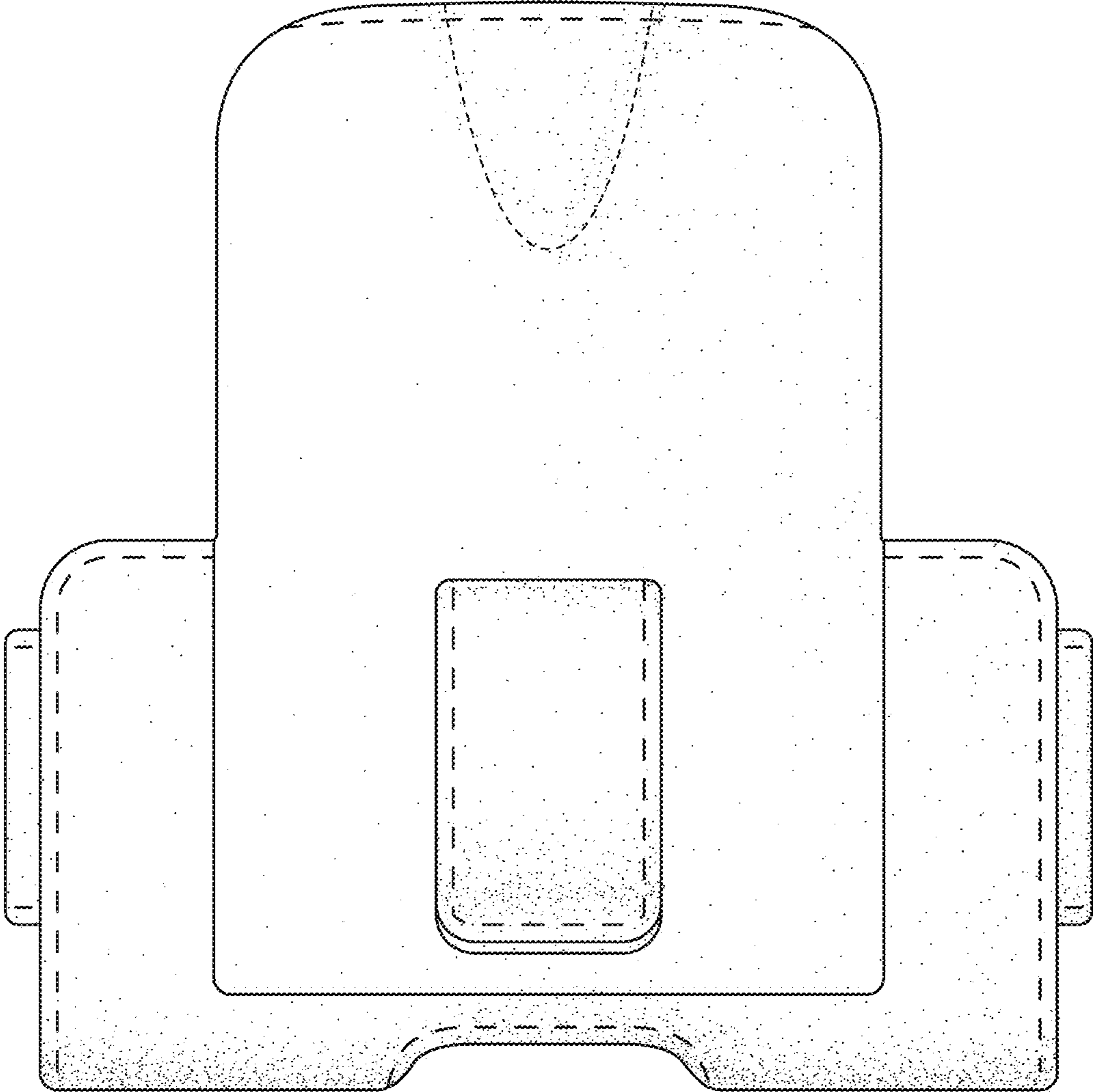


FIG. 3

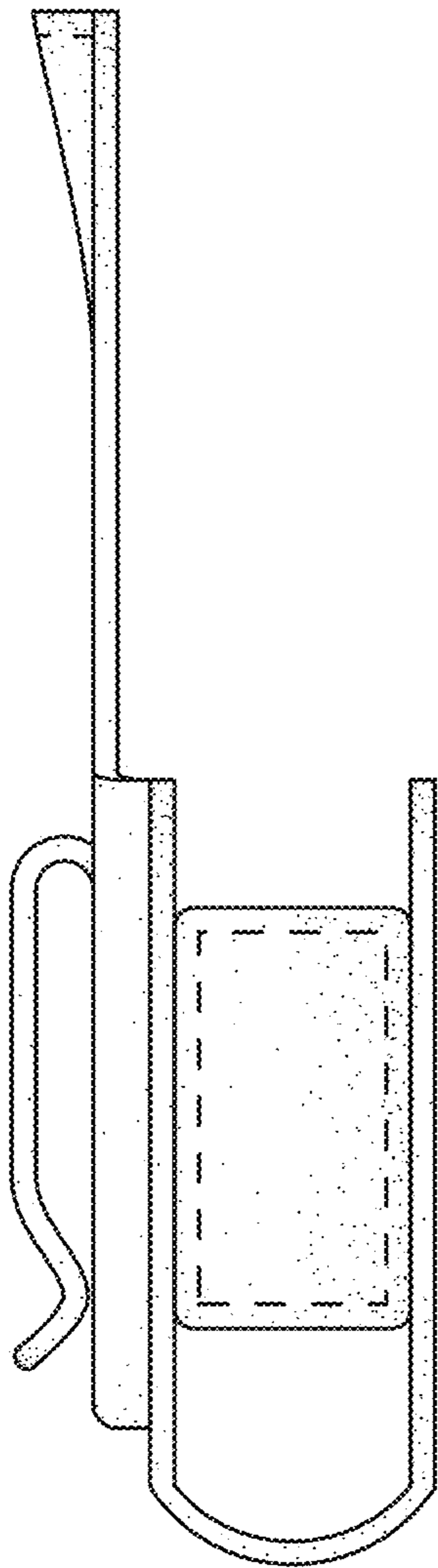


FIG. 4

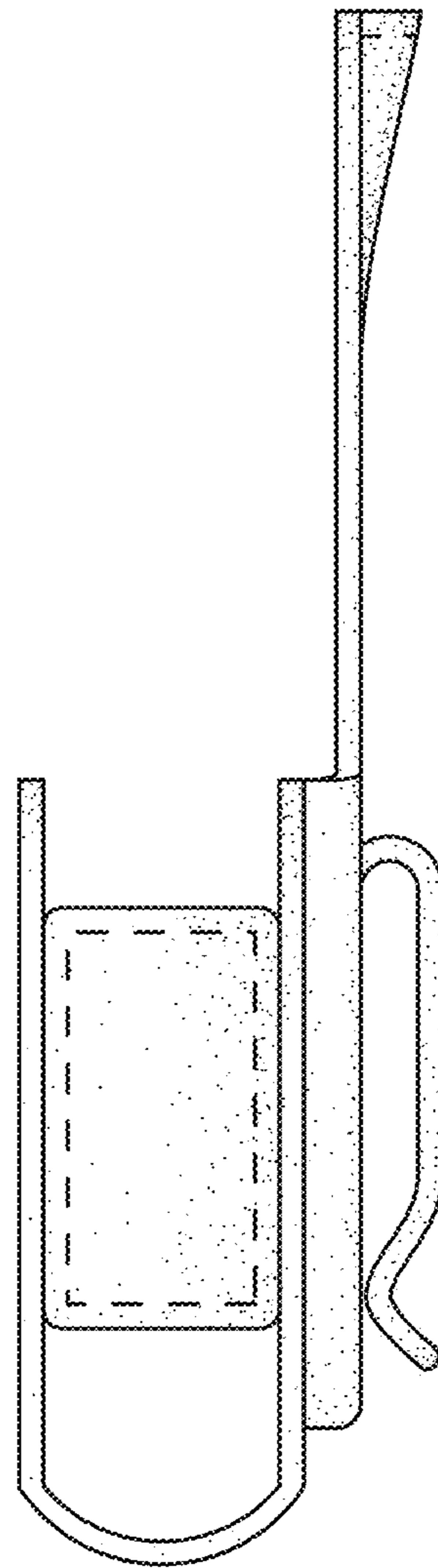


FIG. 5

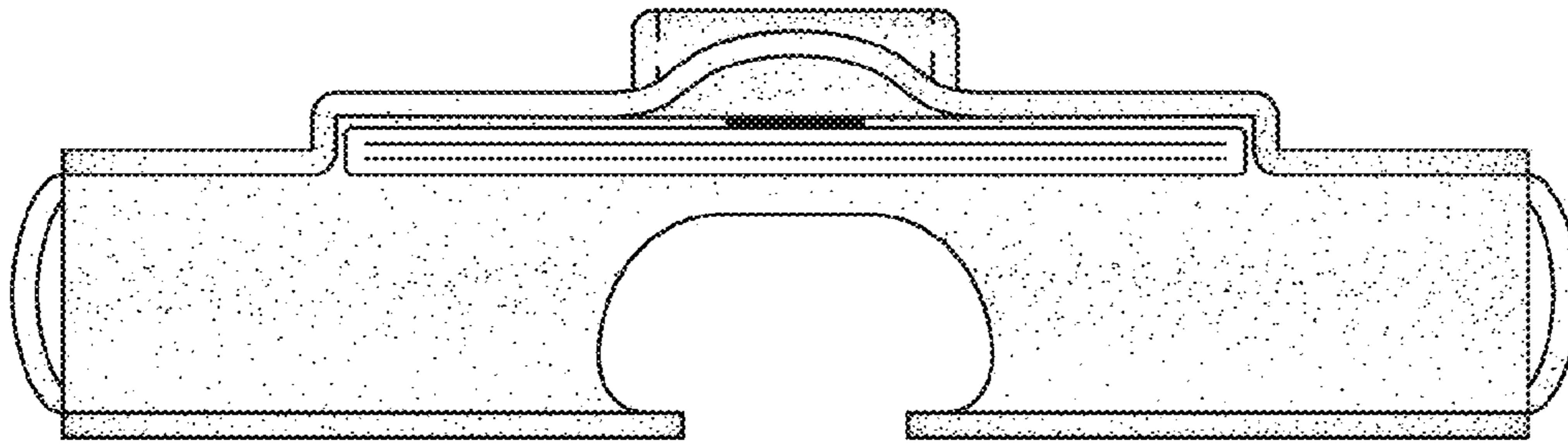


FIG. 6

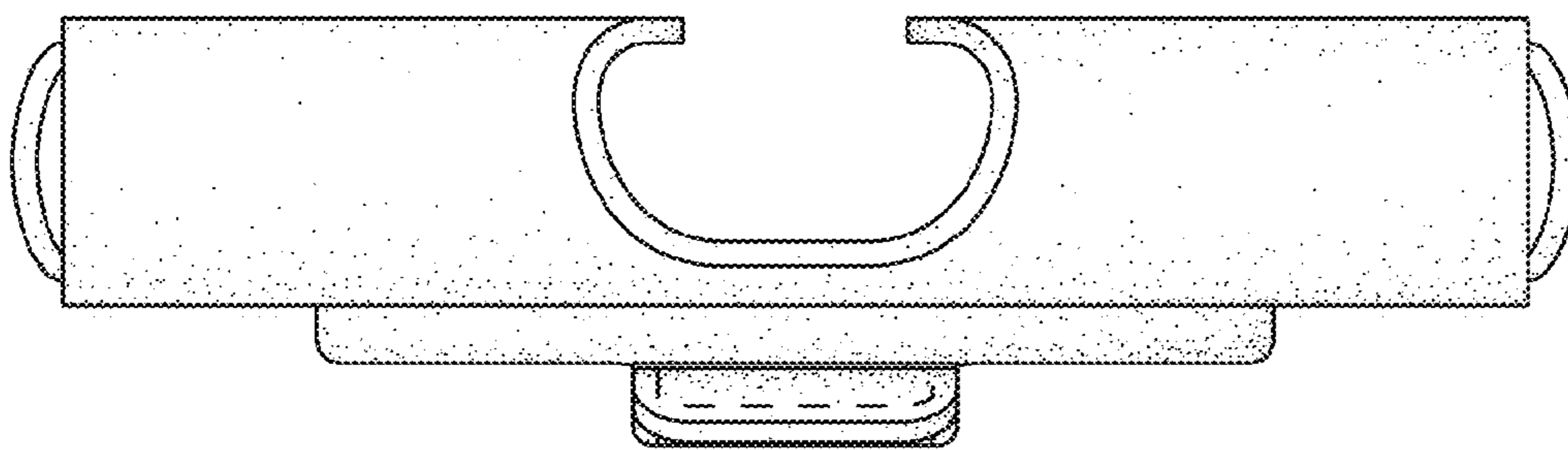


FIG. 7