



US00D715533S

(12) **United States Design Patent**  
**Vincent**

(10) **Patent No.:** **US D715,533 S**  
(45) **Date of Patent:** **\*\* Oct. 21, 2014**

(54) **SKI BOOT SPREADER**

FOREIGN PATENT DOCUMENTS

(76) Inventor: **Arthur Vincent**, Chappaqua, NY (US)

CN 301639050 \* 8/2011

(\*\*) Term: **14 Years**

\* cited by examiner

(21) Appl. No.: **29/422,417**

*Primary Examiner* — Stella Reid

(22) Filed: **May 21, 2012**

*Assistant Examiner* — Janice Lim

(51) **LOC (10) Cl.** ..... **07-99**

(74) *Attorney, Agent, or Firm* — Gordon & Jacobson, PC

(52) **U.S. Cl.**  
USPC ..... **D2/979**

(57) **CLAIM**

The ornamental design for a ski boot spreader, as shown and described.

(58) **Field of Classification Search**  
USPC ..... D2/642, 946, 961, 979; 12/114.2,  
12/114.6, 114.8, 115.2, 116.8, 119.5;  
81/485; 223/111, 113–118

**DESCRIPTION**

See application file for complete search history.

FIG. 1 is a top perspective view of a ski boot spreader, showing my new design.

(56) **References Cited**

FIG. 2 is a right side view of a ski boot spreader, with the left side view being a mirror image thereof.

**U.S. PATENT DOCUMENTS**

FIG. 3 is a top view of a ski boot spreader.

3,816,863 A \* 6/1974 Thielemann, Jr. .... 7/165

FIG. 4 is a bottom view of a ski boot spreader.

D347,558 S \* 6/1994 Alonzo ..... D8/14

FIG. 5 is a front view of a ski boot spreader; and,

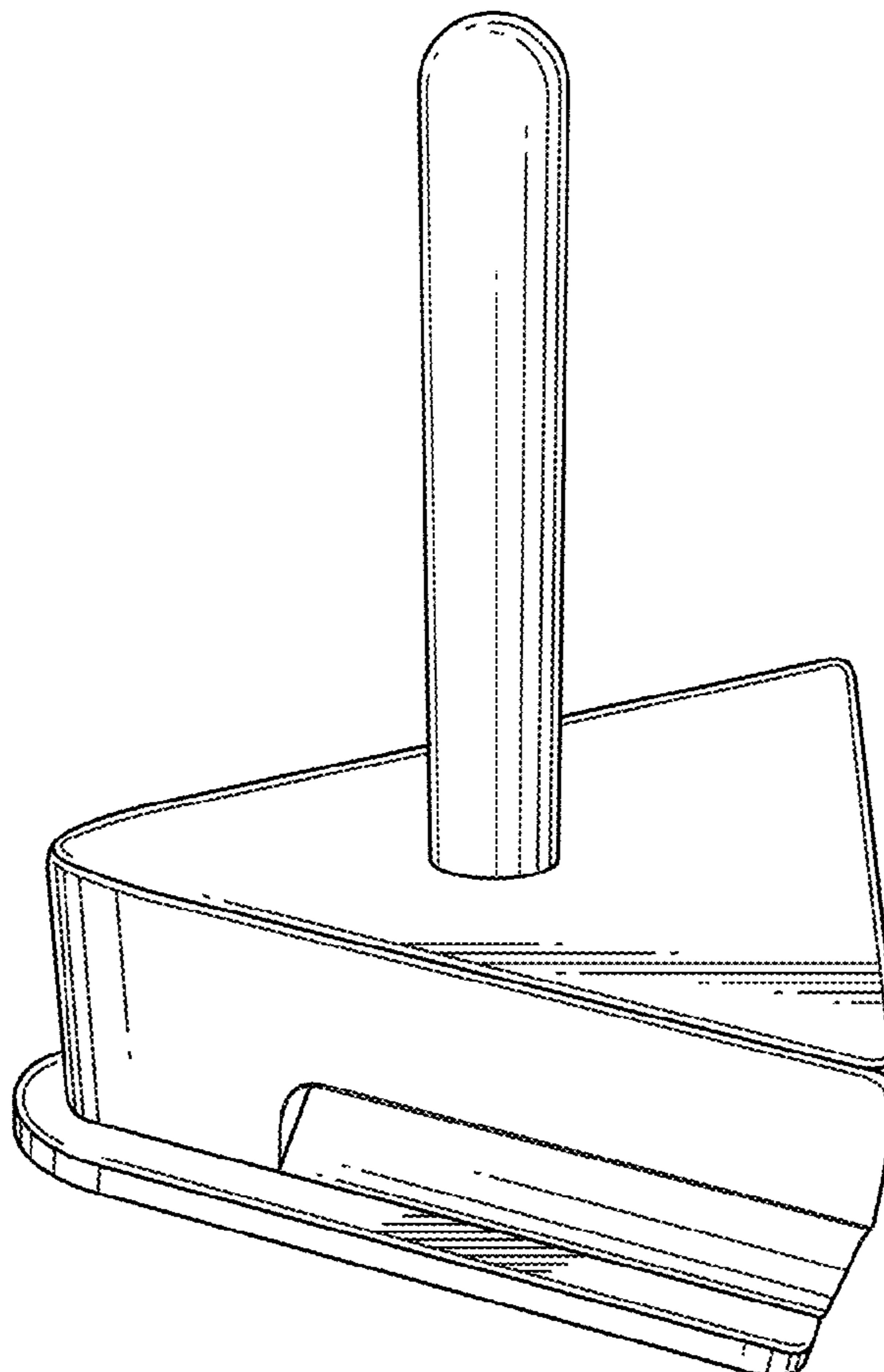
5,732,428 A \* 3/1998 Brown ..... 12/115.4

FIG. 6 is a rear view of a ski boot spreader.

D567,053 S \* 4/2008 Panfili ..... D8/90

2004/0159196 A1 \* 8/2004 Williams et al. .... 81/485

**1 Claim, 2 Drawing Sheets**



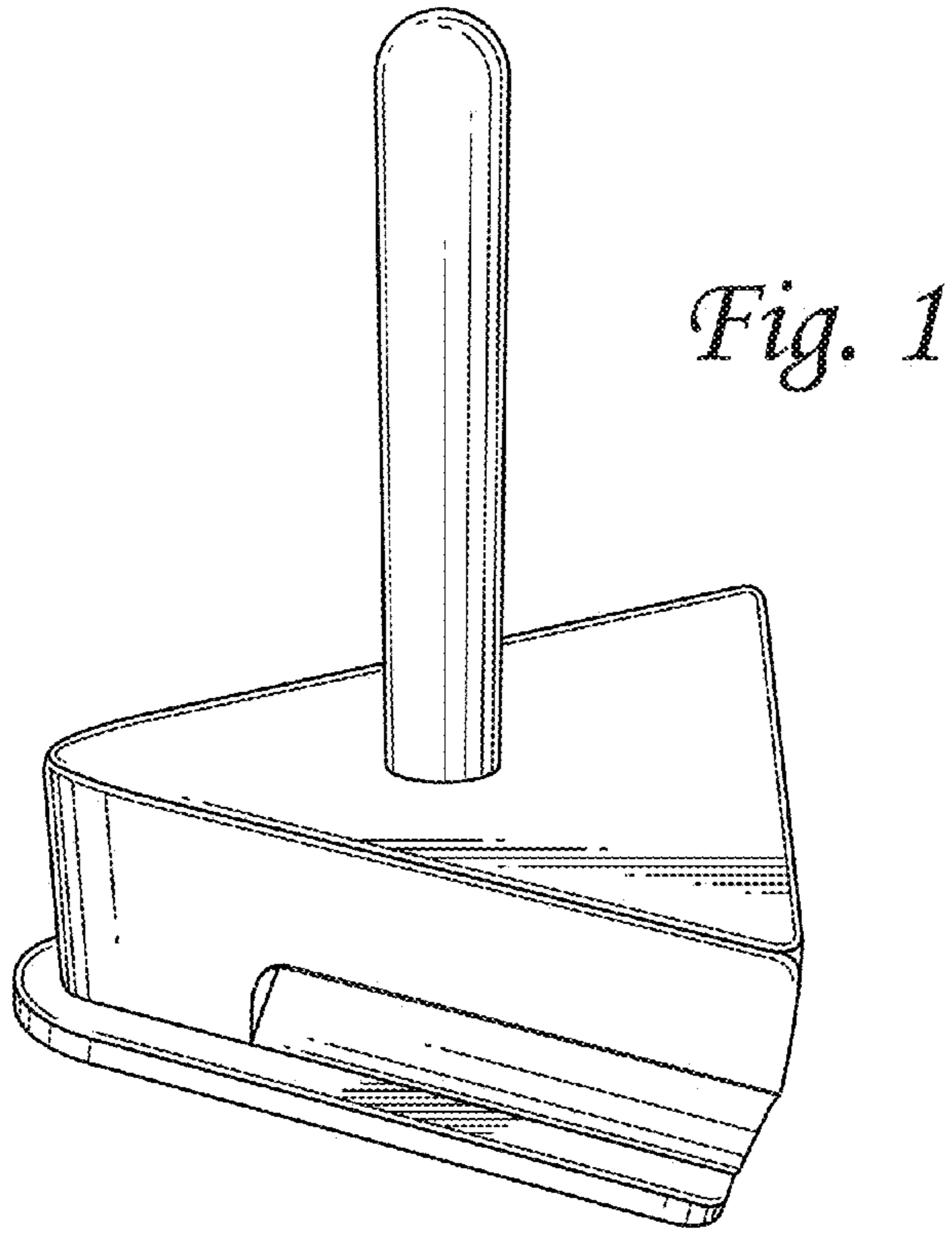
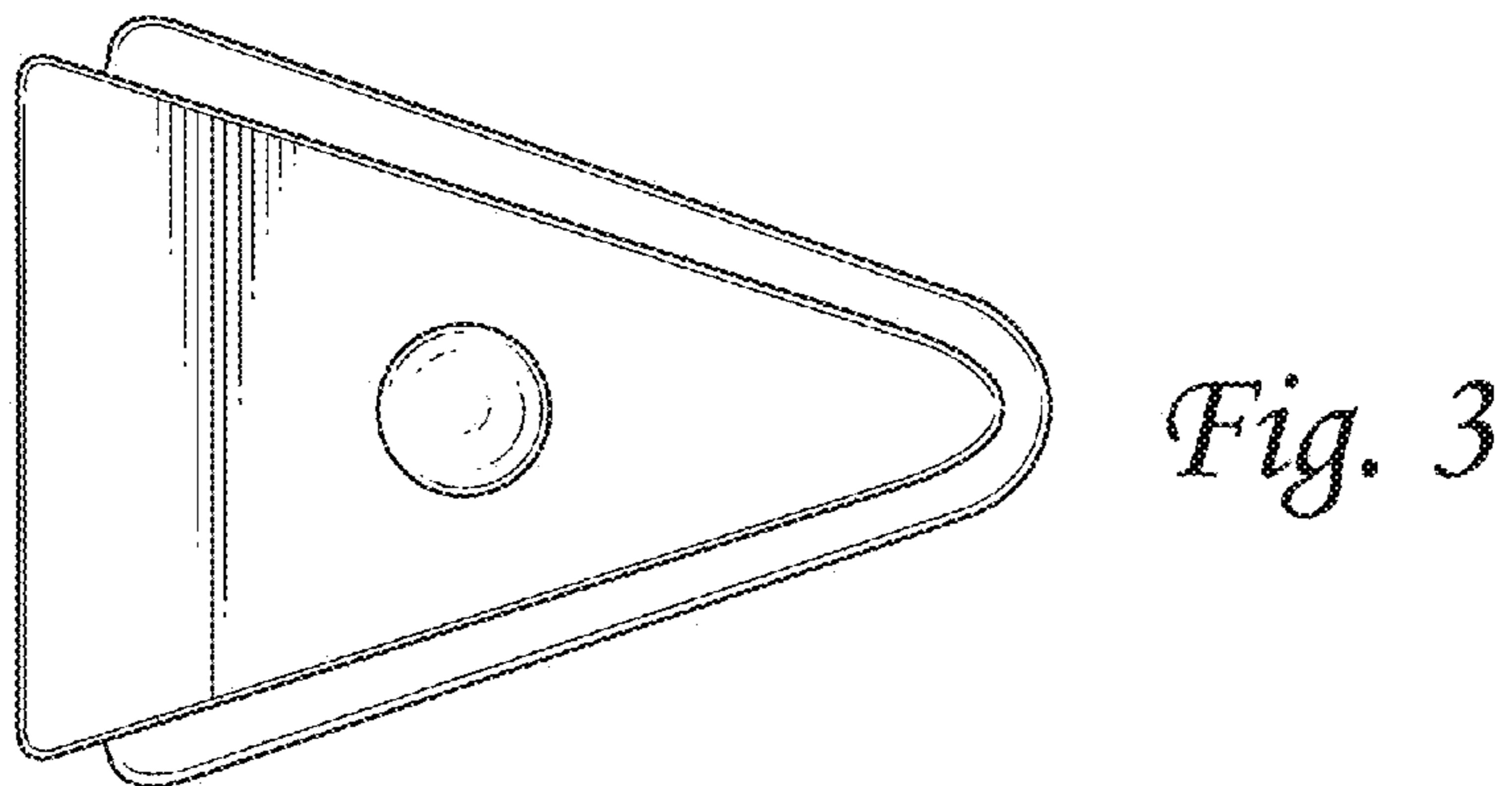
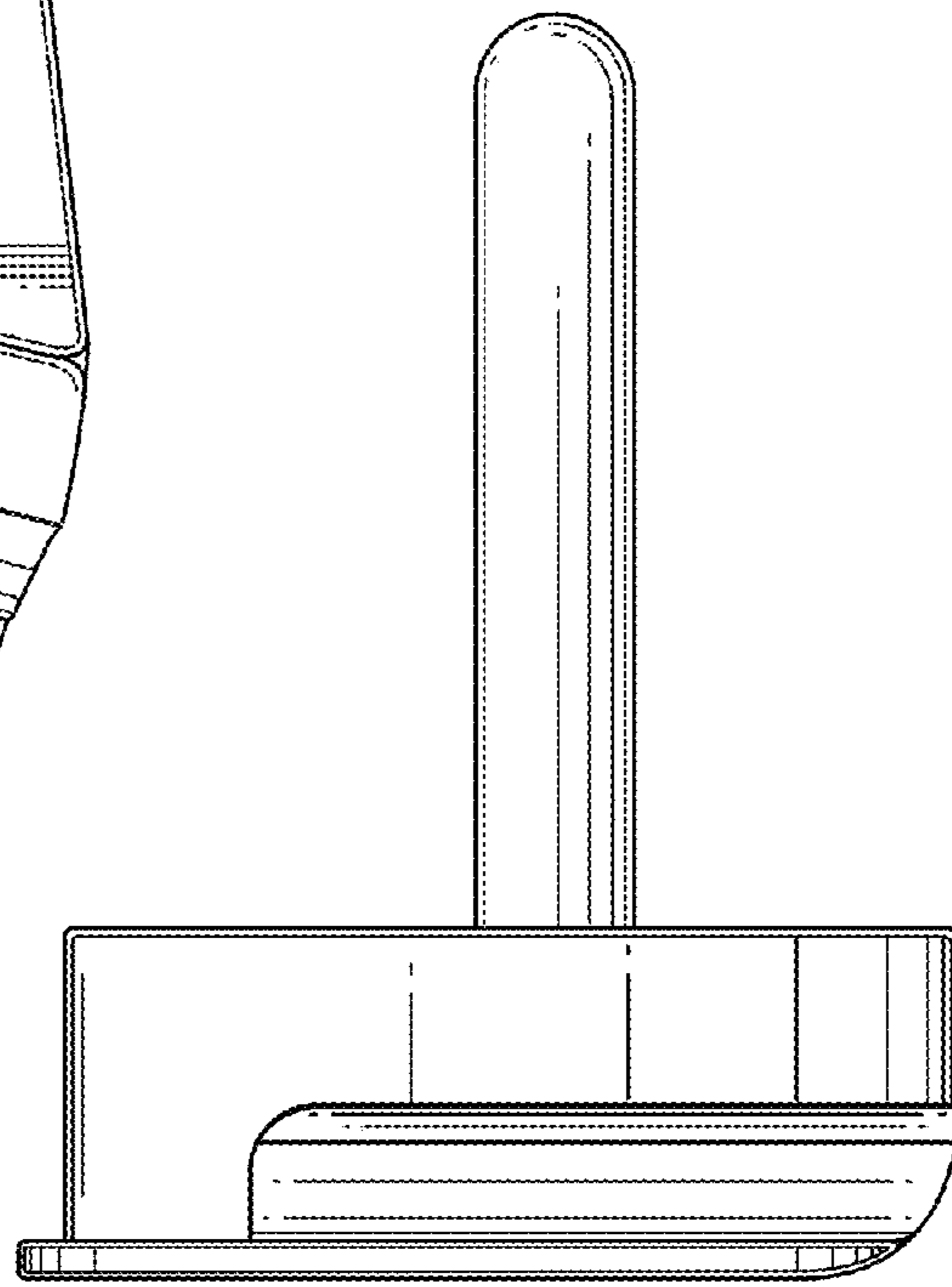
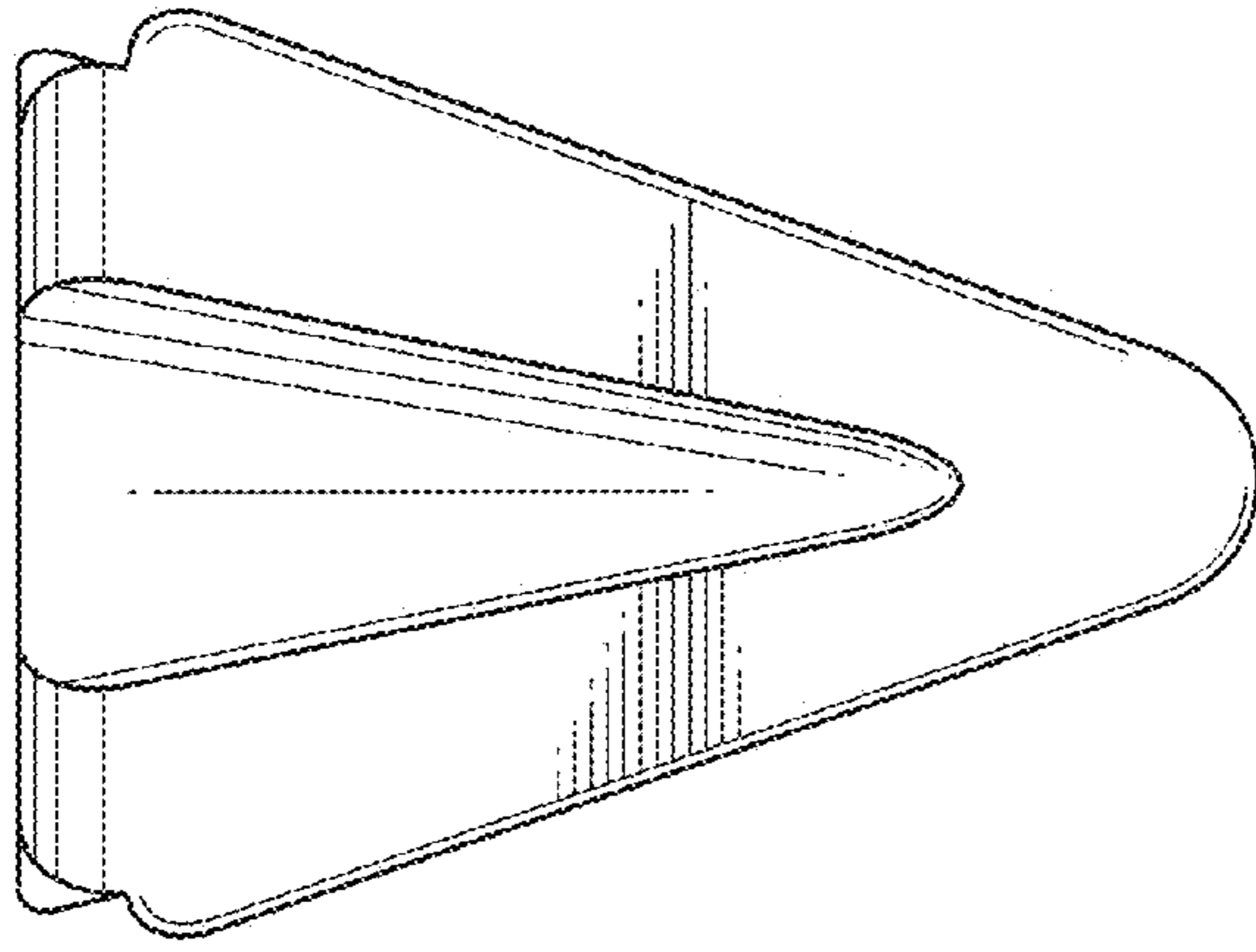


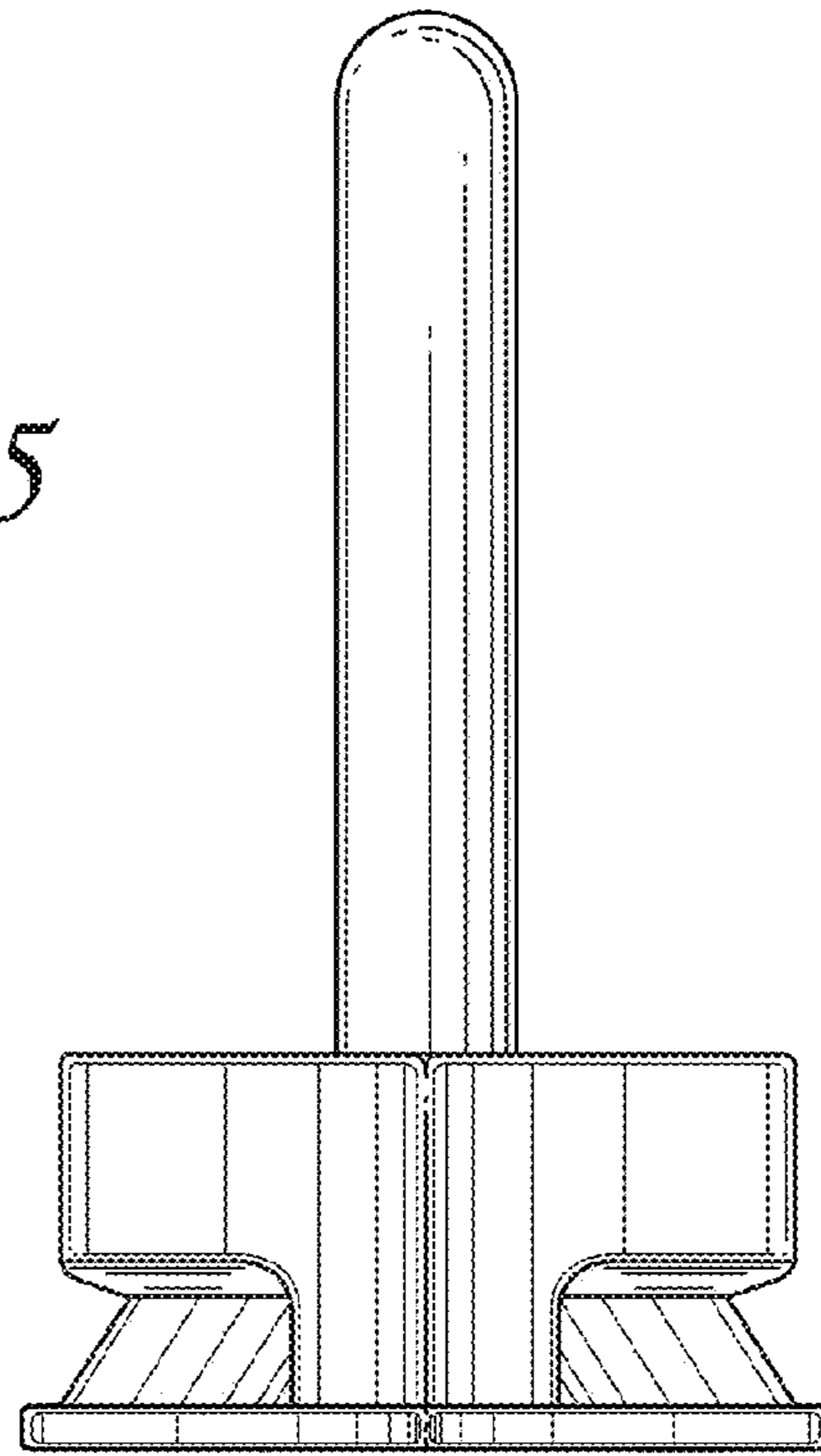
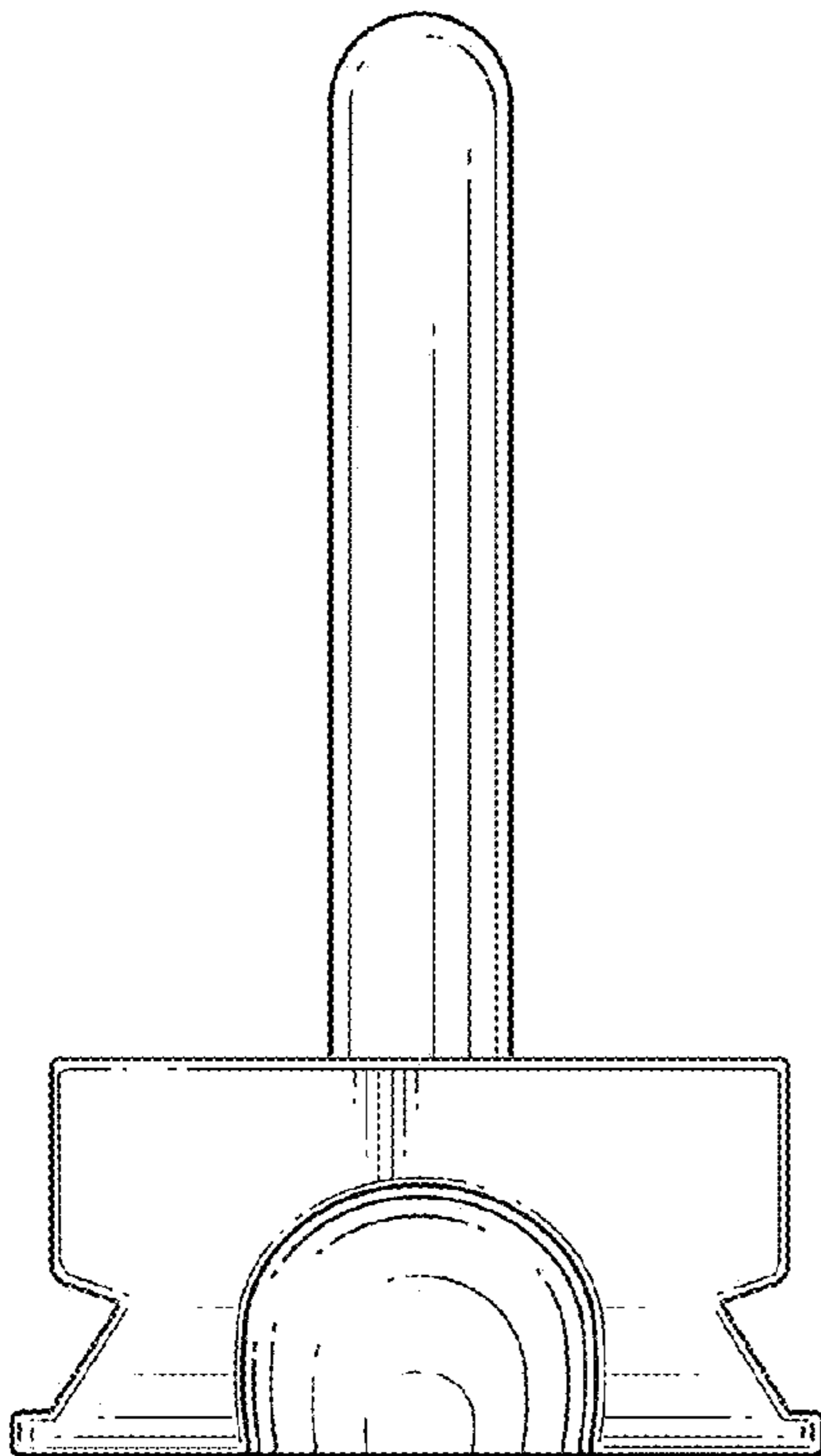
Fig. 2





*Fig. 4*

*Fig. 5*



*Fig. 6*