



US00D715519S

(12) **United States Design Patent**
Dodd

(10) **Patent No.:** **US D715,519 S**
(45) **Date of Patent:** **** Oct. 21, 2014**

(54) **MULTI-FUNCTIONAL INFANT BLANKET**

2002/0095725 A1 * 7/2002 Dix 5/482
2005/0091723 A1 5/2005 Niederhofer
2008/0134432 A1 6/2008 Brandon

(71) Applicant: **Ami Dodd**, Centreville, VA (US)

(72) Inventor: **Ami Dodd**, Centreville, VA (US)

(**) Term: **14 Years**

(21) Appl. No.: **29/457,853**

(22) Filed: **Jun. 13, 2013**

(51) **LOC (10) Cl.** **02-02**

(52) **U.S. Cl.**
USPC **D2/860**

(58) **Field of Classification Search**
USPC D2/823, 824, 826, 860-864; 2/46, 48,
2/49.1, 49.4-51; D6/603
See application file for complete search history.

(56) **References Cited**

U.S. PATENT DOCUMENTS

1,767,842	A *	6/1930	Gehrke	2/69.5
4,604,758	A	8/1986	Grasberger et al.		
4,719,650	A	1/1988	Milloy		
D300,281	S	3/1989	Coates		
4,989,285	A	2/1991	Troncone et al.		
D341,472	S *	11/1993	Watson	D2/862
5,960,471	A	10/1999	Burton		
6,442,759	B1	9/2002	Straham, Jr. et al.		
6,851,127	B1 *	2/2005	Khan	2/89
7,032,248	B1	4/2006	Gutilla		
D530,059	S *	10/2006	Tenenbaum et al.	D2/719
7,316,035	B2	1/2008	Archambault		
D641,543	S *	7/2011	Goldfine	D2/864

OTHER PUBLICATIONS

Amy's Adventures. <http://amyraeannesadventures.blogspot.com/2010/06/ribbon-tag-baby-blanket-tutorial-for.html>. Jun. 2010. "Ribbon Tag Baby Blanket Tutorial".*
Project Nursery. <http://projectnursery.com/2013/01/diy-make-your-own-taggies-blanket/#>. Jan. 2013. "Taggies Blanket".*

* cited by examiner

Primary Examiner — Rashida Johnson

(74) *Attorney, Agent, or Firm* — Robert C. Montgomery; Montgomery Patent & Design

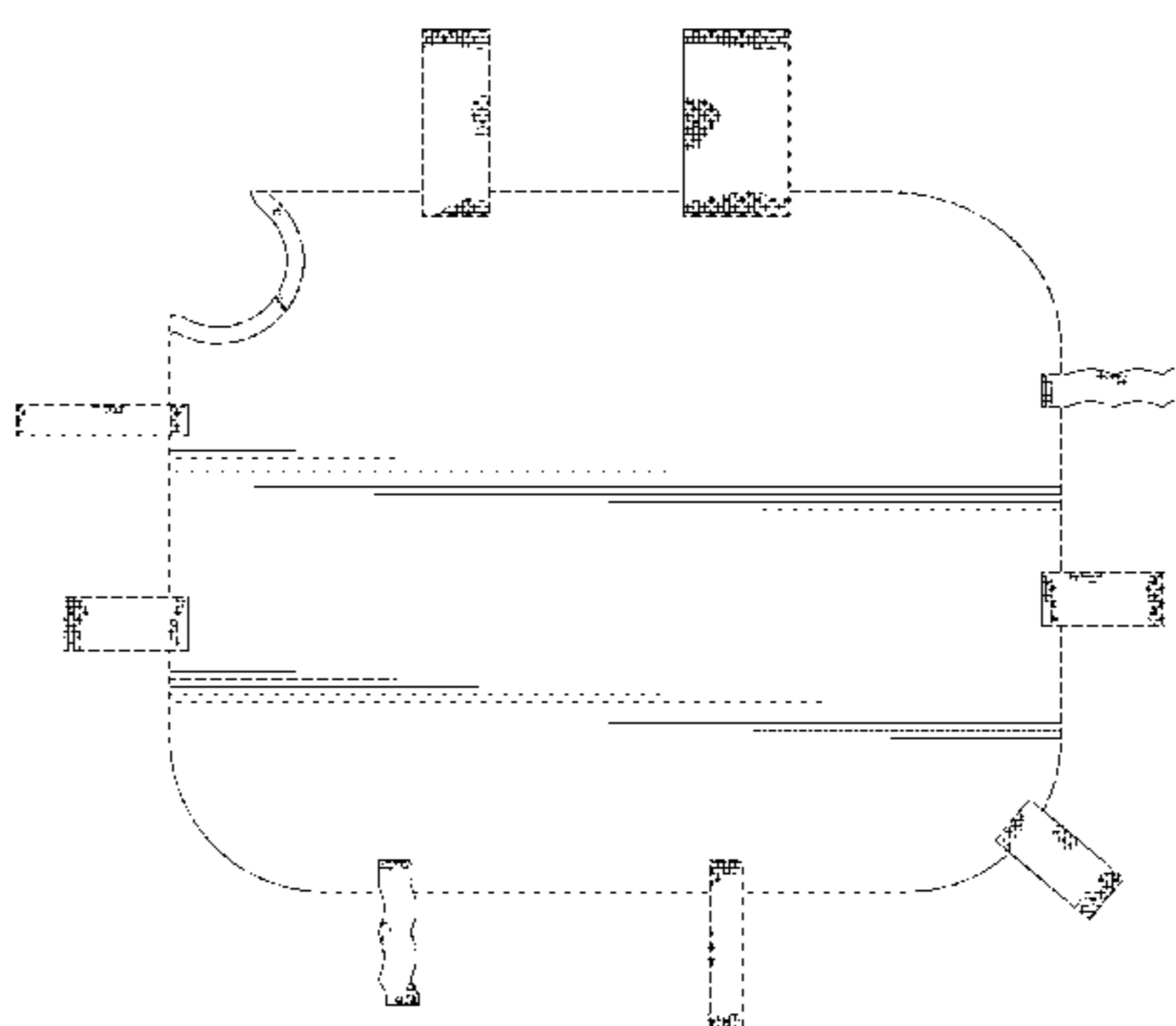
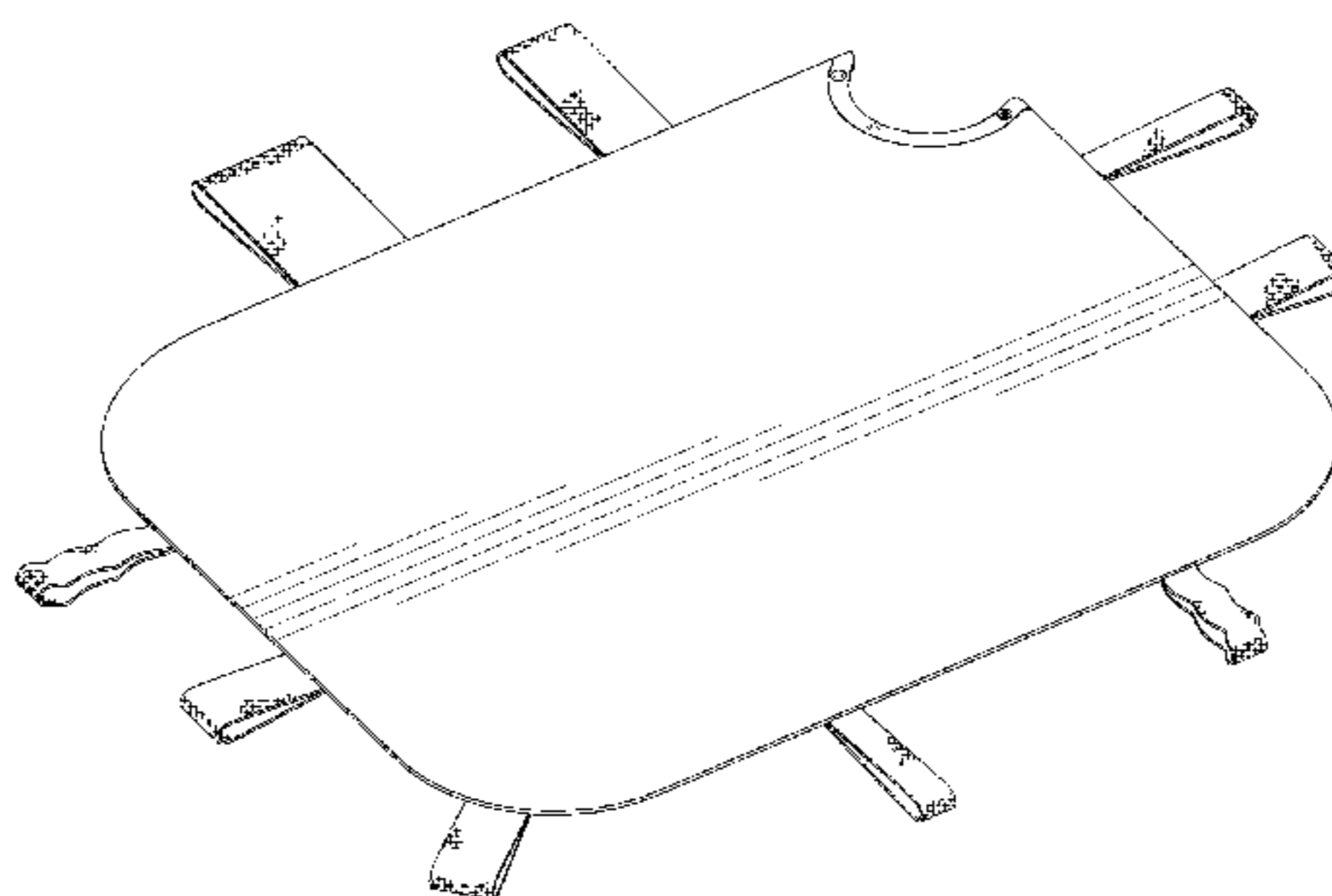
(57) **CLAIM**

The ornamental design for a multi-functional infant blanket, as shown and described.

DESCRIPTION

FIG. 1 is an isometric view of a multi-functional infant blanket;
FIG. 2 is front view thereof,
FIG. 3 is a rear view thereof;
FIG. 4 is a left side view thereof;
FIG. 5 is a right side view thereof;
FIG. 6 is a top view thereof; and,
FIG. 7 is a bottom view thereof.

1 Claim, 7 Drawing Sheets



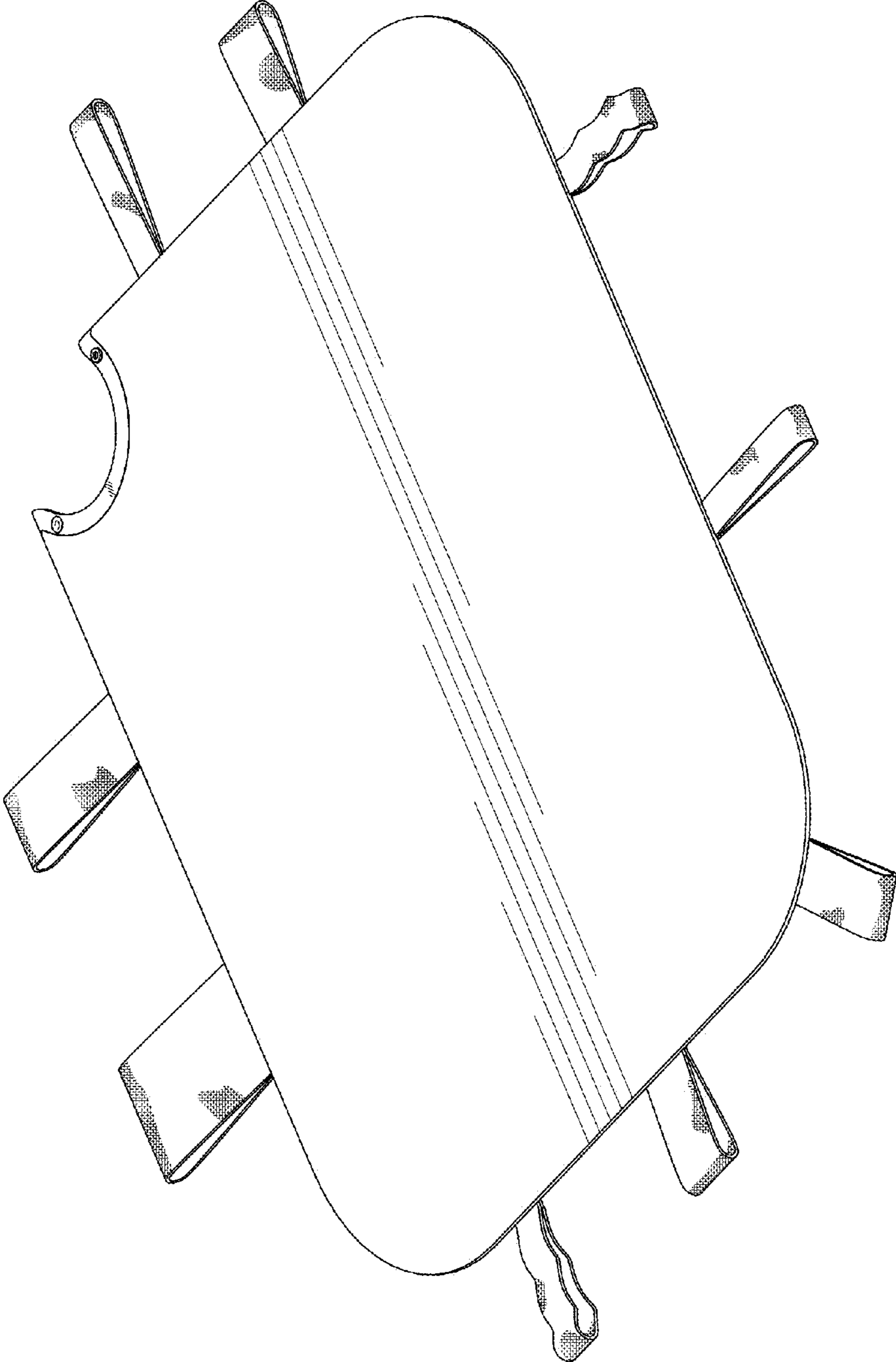


Fig. 1

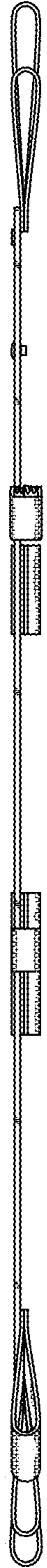


Fig. 2



Fig. 3

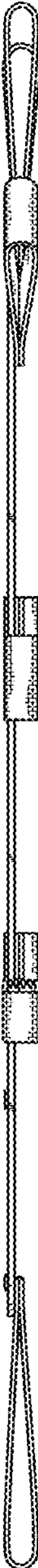


Fig. 4

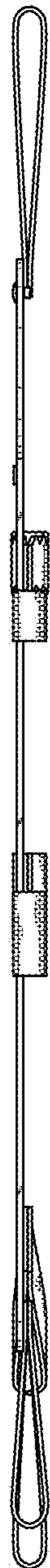


Fig. 5

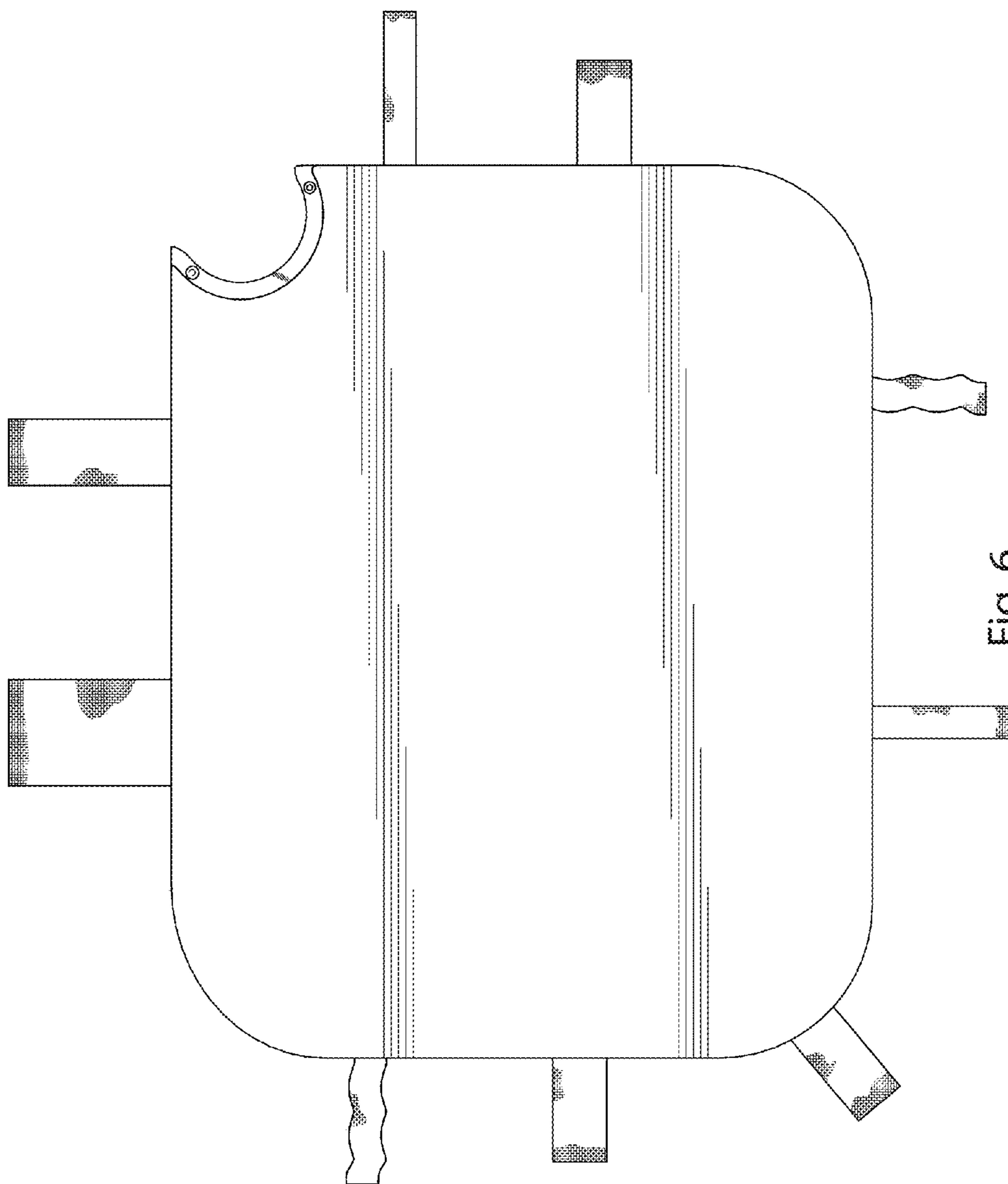


Fig. 6

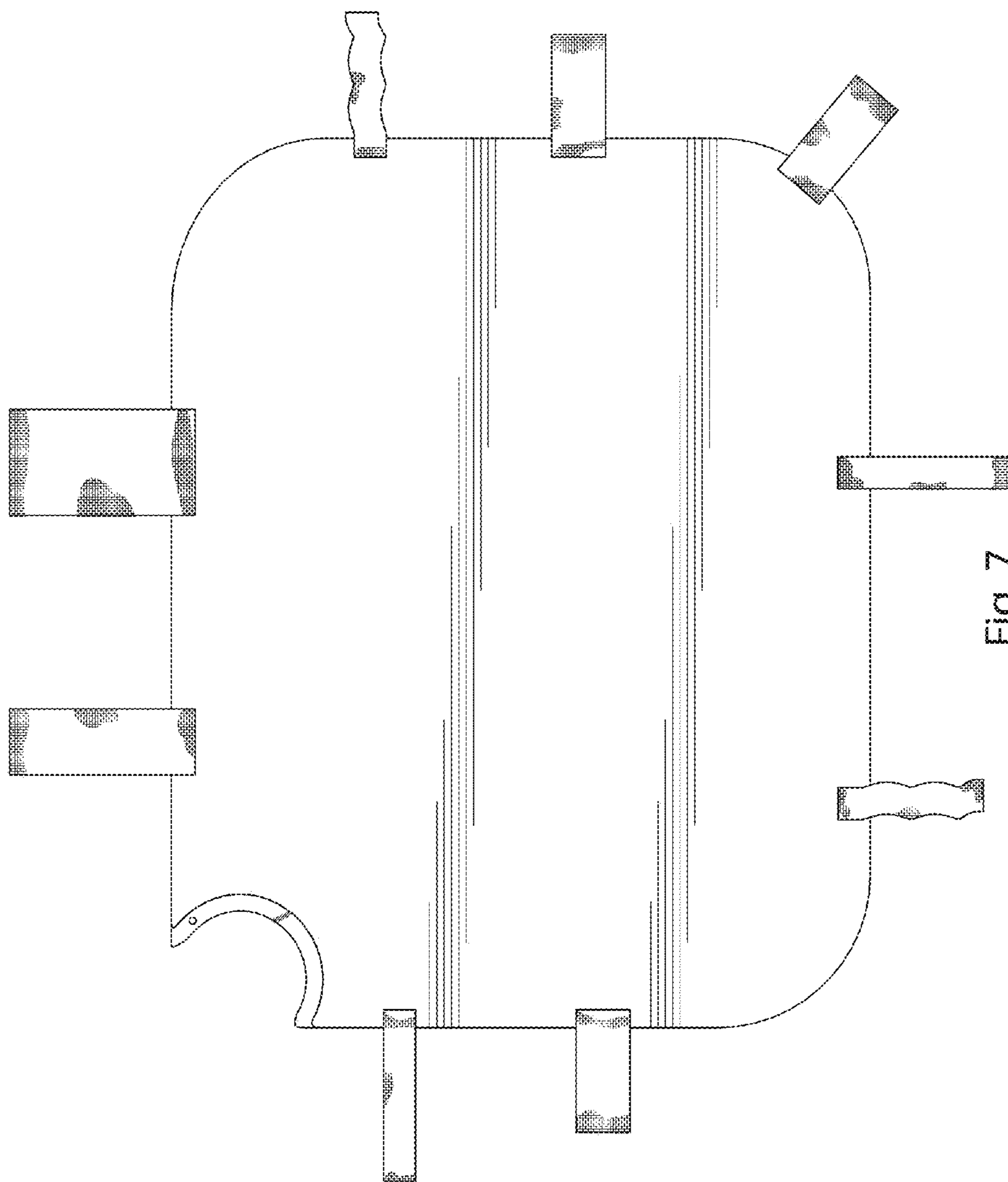


Fig. 7