



US00D715511S

(12) **United States Design Patent**  
**Okwumabua**

(10) **Patent No.:** **US D715,511 S**

(45) **Date of Patent:** **\*\* Oct. 14, 2014**

(54) **COMBINED WASTE BAG HOLDER AND CART**

(71) Applicant: **Ogo Okwumabua**, Winnipeg (CA)

(72) Inventor: **Ogo Okwumabua**, Winnipeg (CA)

(\*\*) Term: **14 Years**

(21) Appl. No.: **29/468,414**

(22) Filed: **Sep. 30, 2013**

(51) **LOC (10) Cl.** ..... **09-09**

(52) **U.S. Cl.**

USPC ..... **D34/5**; D34/12; D34/14

(58) **Field of Classification Search**

CPC .. B62B 2202/406; B62B 1/262; B62B 1/264;  
B62B 1/14; B62B 1/12; B62B 1/10; B65F  
1/1415; B65B 67/12; B65B 67/1233; B65B  
67/1205; B65B 39/08

USPC ..... D34/5, 6, 12-27; 280/642, 644, 42,  
280/33.991, 33.992, 33.993, 33.94, 33.95,  
280/47.24, 47.27, 47.19, 33.996, 33.997,  
280/33.998, 47.35, 47.29, 639, 684, 654;  
248/95, 97, 99, 100, 101

See application file for complete search history.

(56) **References Cited**

**U.S. PATENT DOCUMENTS**

D160,388	S	*	10/1950	Hogg	.....	D12/131
3,479,052	A	*	11/1969	Spielman	.....	280/645
4,124,185	A	*	11/1978	Preisinger	.....	248/98
4,202,521	A	*	5/1980	Harding	.....	248/98
4,452,468	A	*	6/1984	Eads et al.	.....	280/641
4,749,209	A	*	6/1988	Edmonds	.....	280/652
4,793,628	A	*	12/1988	Haley, Sr.	.....	280/641
5,123,666	A	*	6/1992	Moore	.....	280/47.28
D337,191	S	*	7/1993	Ibrahim	.....	D34/12
D345,842	S	*	4/1994	Sloan et al.	.....	D34/26
D399,625	S	*	10/1998	Murphy et al.	.....	D34/21

6,003,894	A	*	12/1999	Maher	.....	280/639
6,135,466	A	*	10/2000	Irwin	.....	280/47.28
D573,772	S	*	7/2008	Faehnle	.....	D34/17
D633,679	S	*	3/2011	DeLuca	.....	D34/23
D664,733	S	*	7/2012	Yang	.....	D34/24
D678,643	S	*	3/2013	Presley	.....	D34/24
2002/0101065	A1	*	8/2002	McCollum et al.	.....	280/655
2009/0032653	A1	*	2/2009	Gilligan et al.	.....	248/98
2009/0243241	A1	*	10/2009	Arakawa et al.	.....	280/47.19
2010/0108826	A1	*	5/2010	Fernandez et al.	.....	248/98
2011/0020099	A1	*	1/2011	Hollins et al.	.....	414/334
2012/0001036	A1	*	1/2012	Santiago	.....	248/101
2013/0147163	A1	*	6/2013	Chang et al.	.....	280/652

\* cited by examiner

*Primary Examiner* — Cynthia Ramirez

(74) *Attorney, Agent, or Firm* — Ryan W. Dupuis; Kyle R. Satlerthwait; Ade & Company Inc.

(57) **CLAIM**

The ornamental design for a combined waste bag holder and cart, as shown and described.

**DESCRIPTION**

FIG. 1 is a front, side perspective view showing the front and right side of the combined waste bag holder and cart in an extended position;

FIG. 2 is a right side view, the left side being a mirror image thereof;

FIG. 3 is an elevational front view thereof;

FIG. 4 is an elevational rear view thereof;

FIG. 5 is a top plan view thereof;

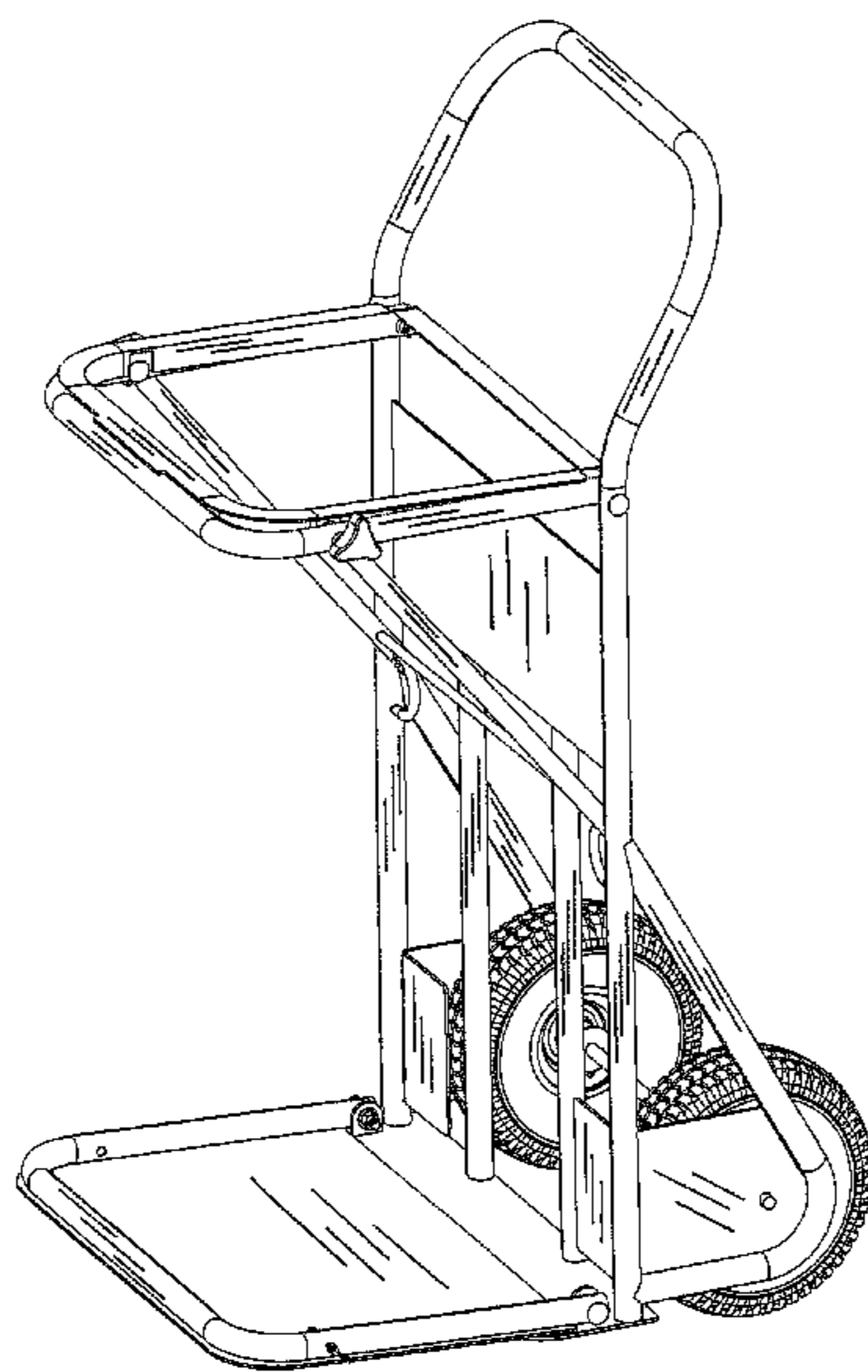
FIG. 6 is a bottom plan view thereof;

FIG. 7 is a rear perspective view thereof;

FIG. 8 is a front perspective view showing the cart in a folded position; and,

FIG. 9 is a rear perspective view showing the cart in a folded position.

**1 Claim, 9 Drawing Sheets**



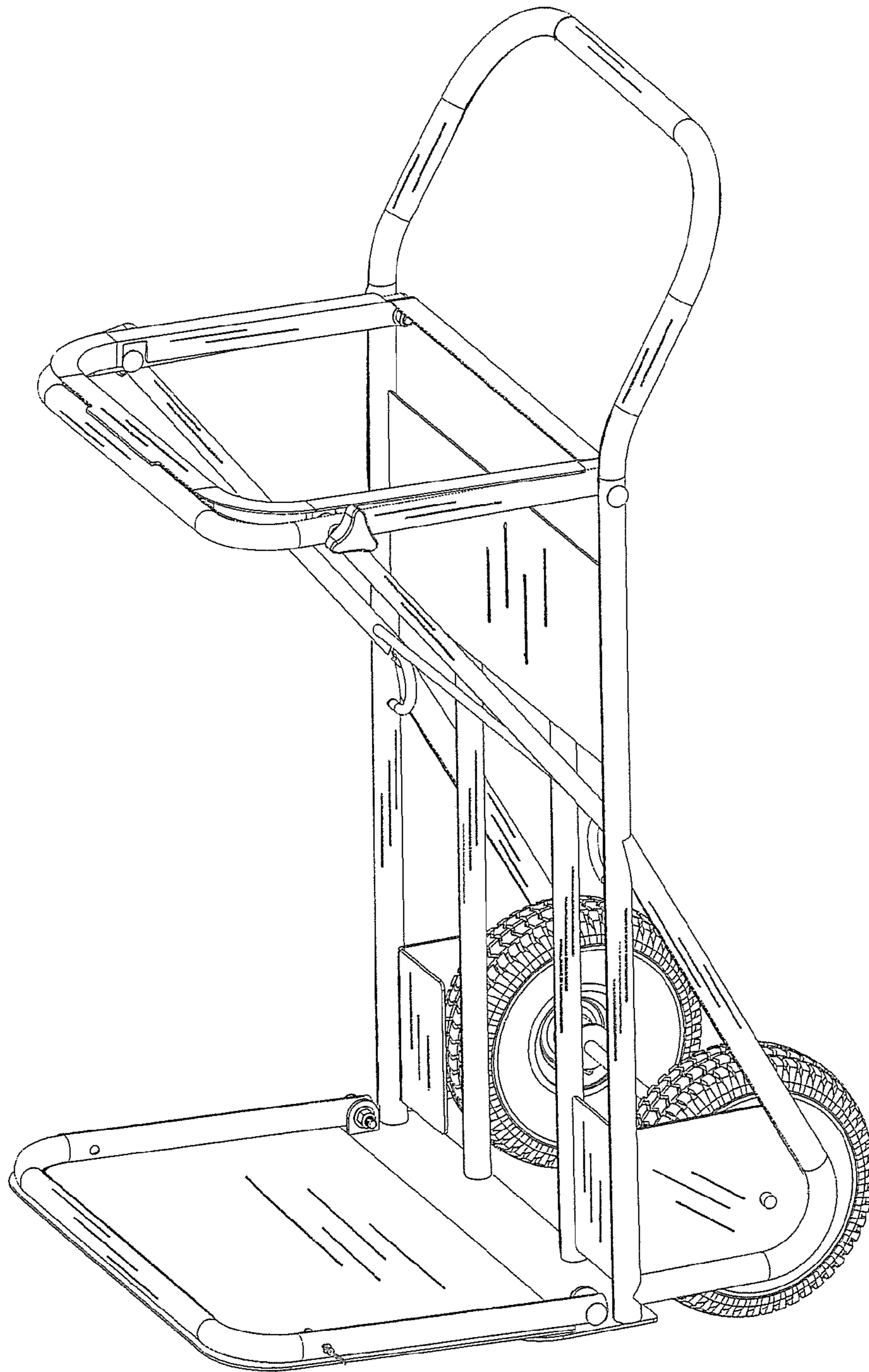


FIG. 1

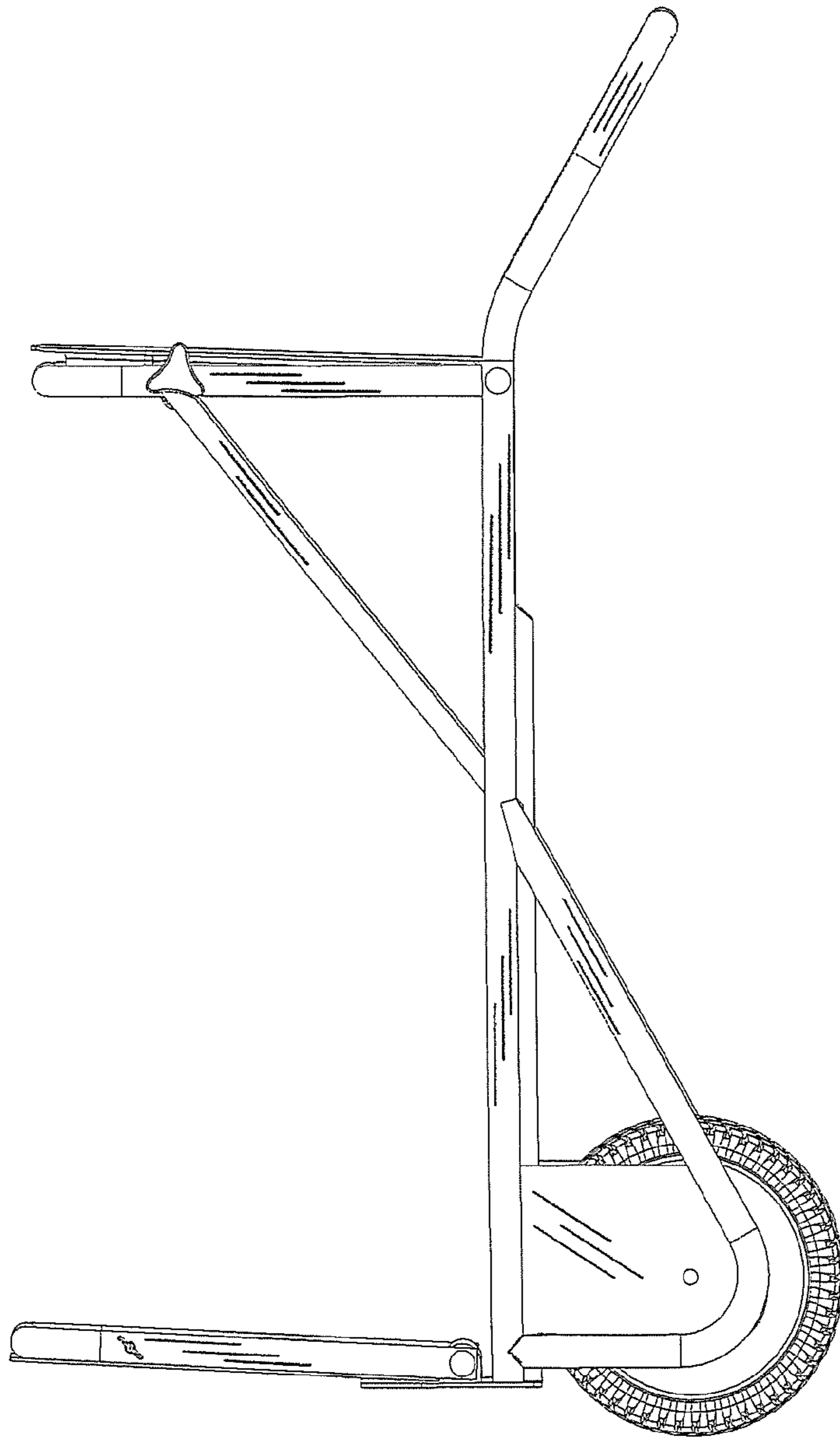


FIG. 2

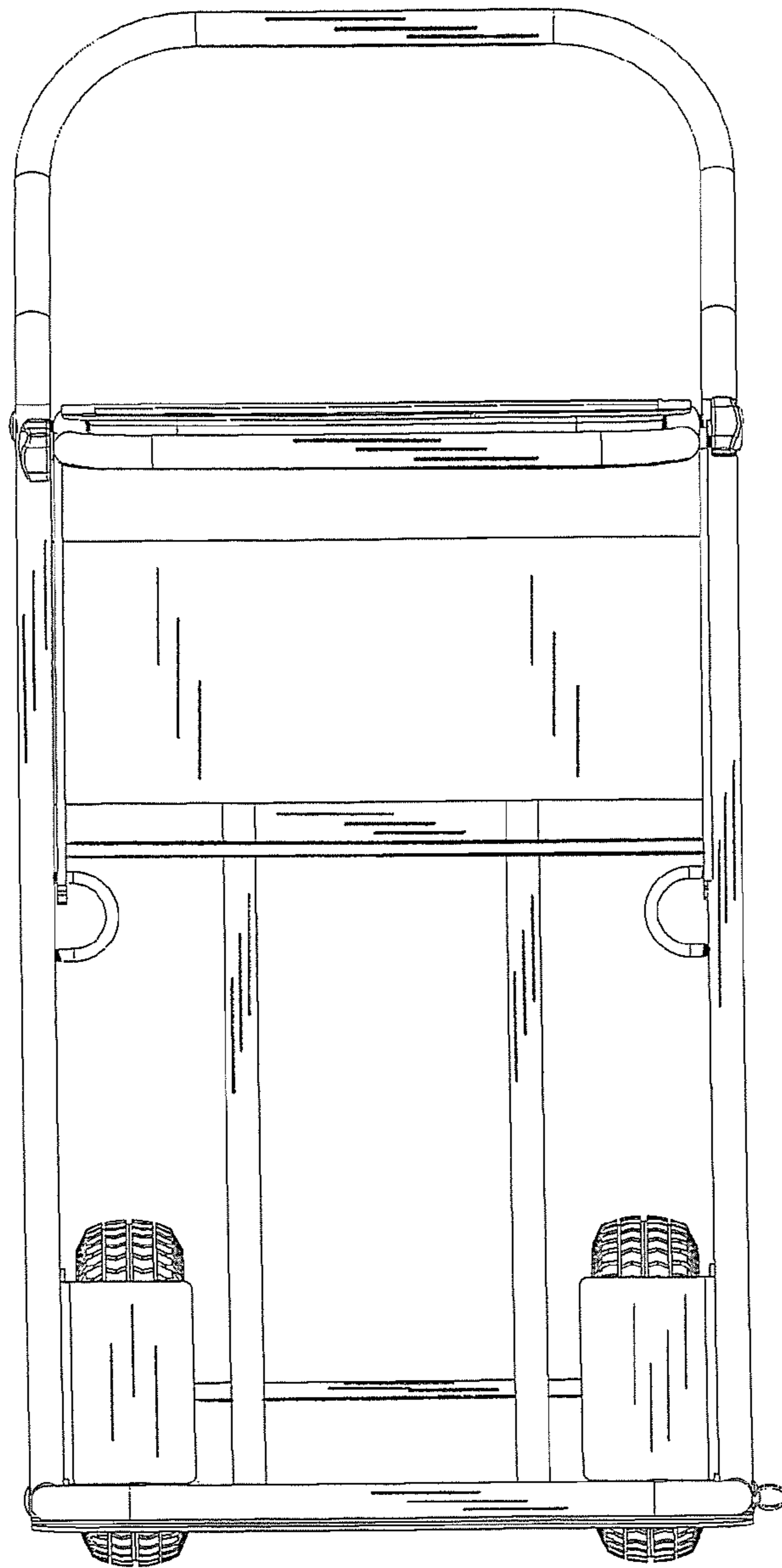


FIG. 3



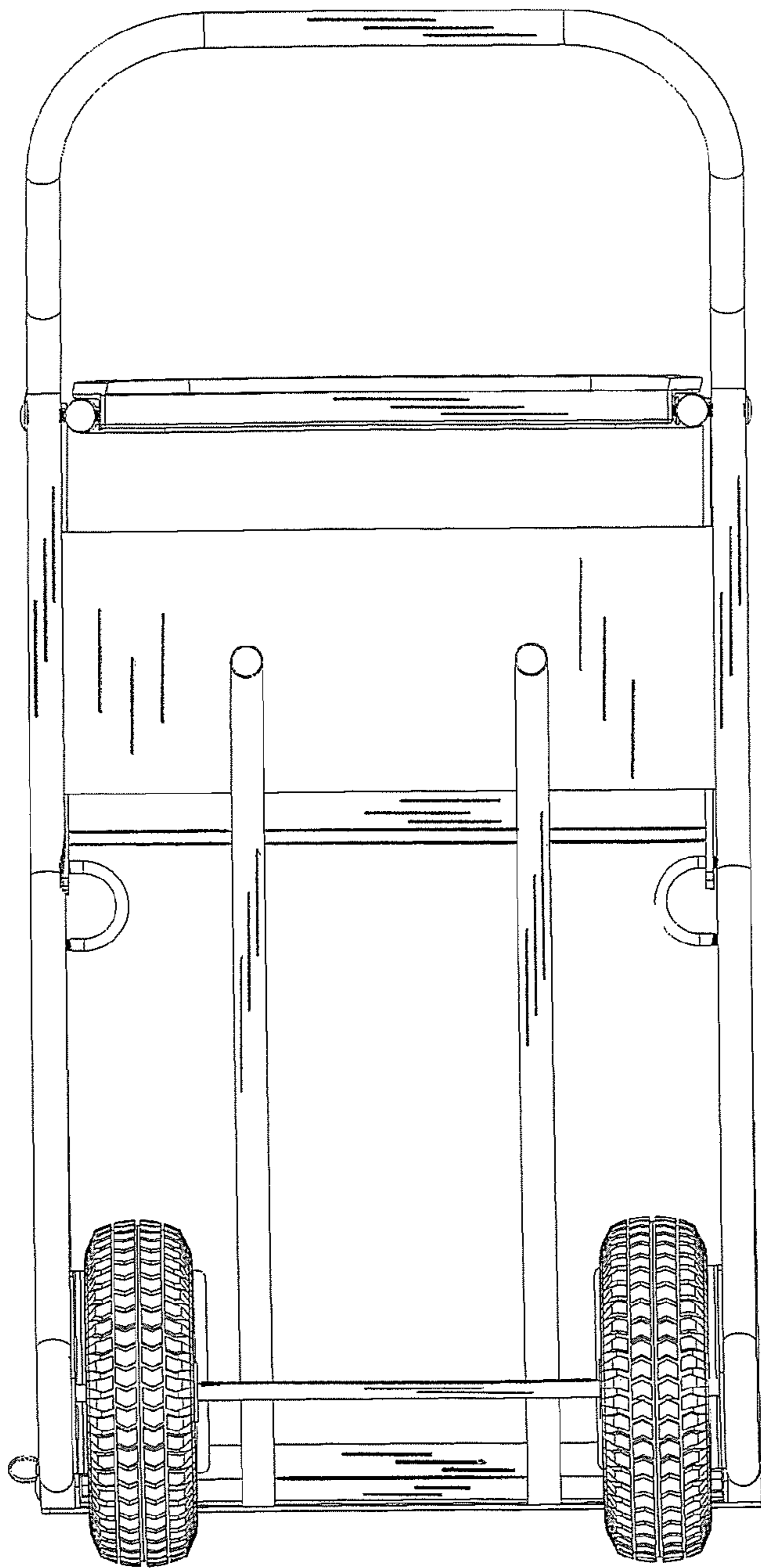


FIG. 4

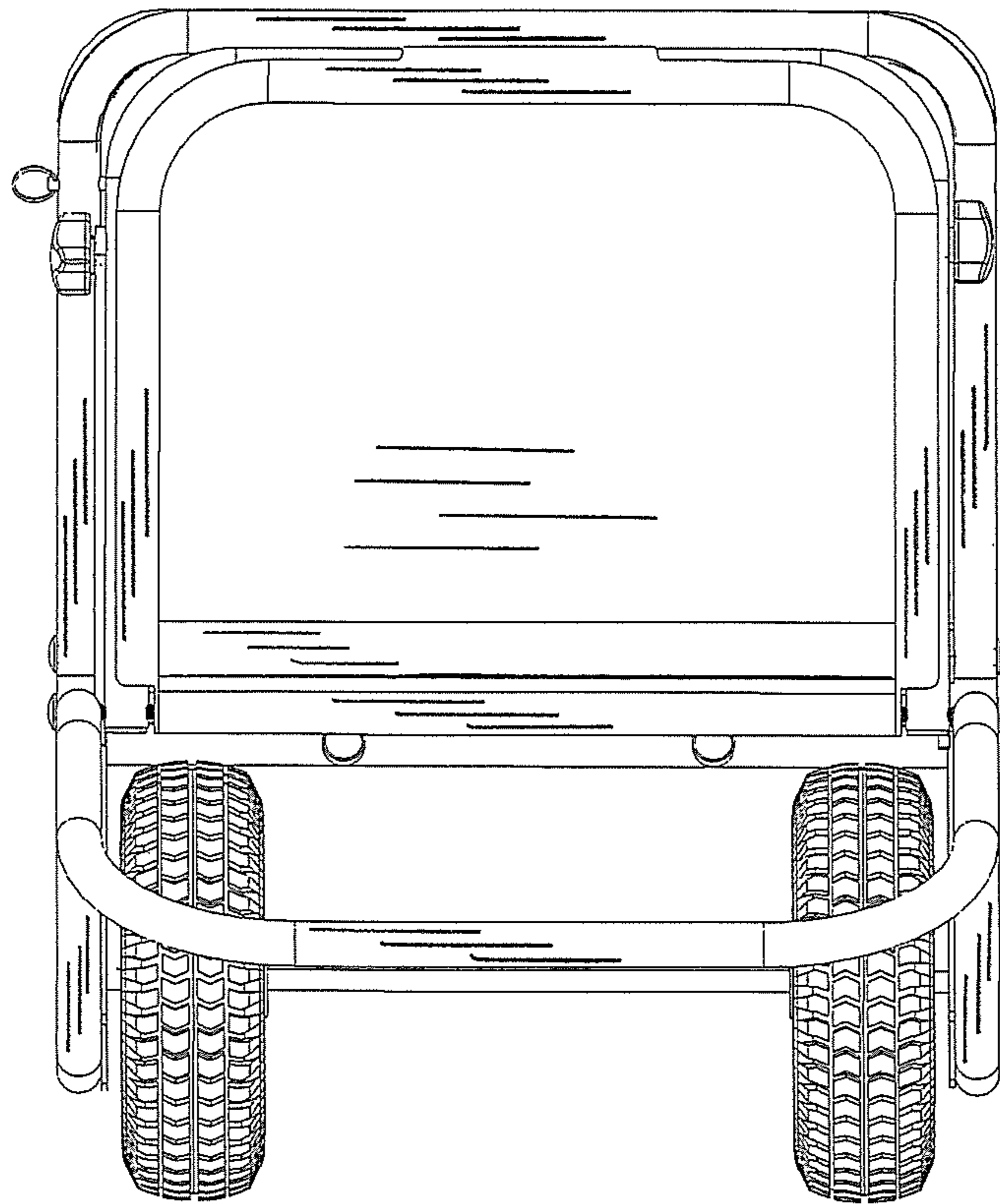


FIG. 5

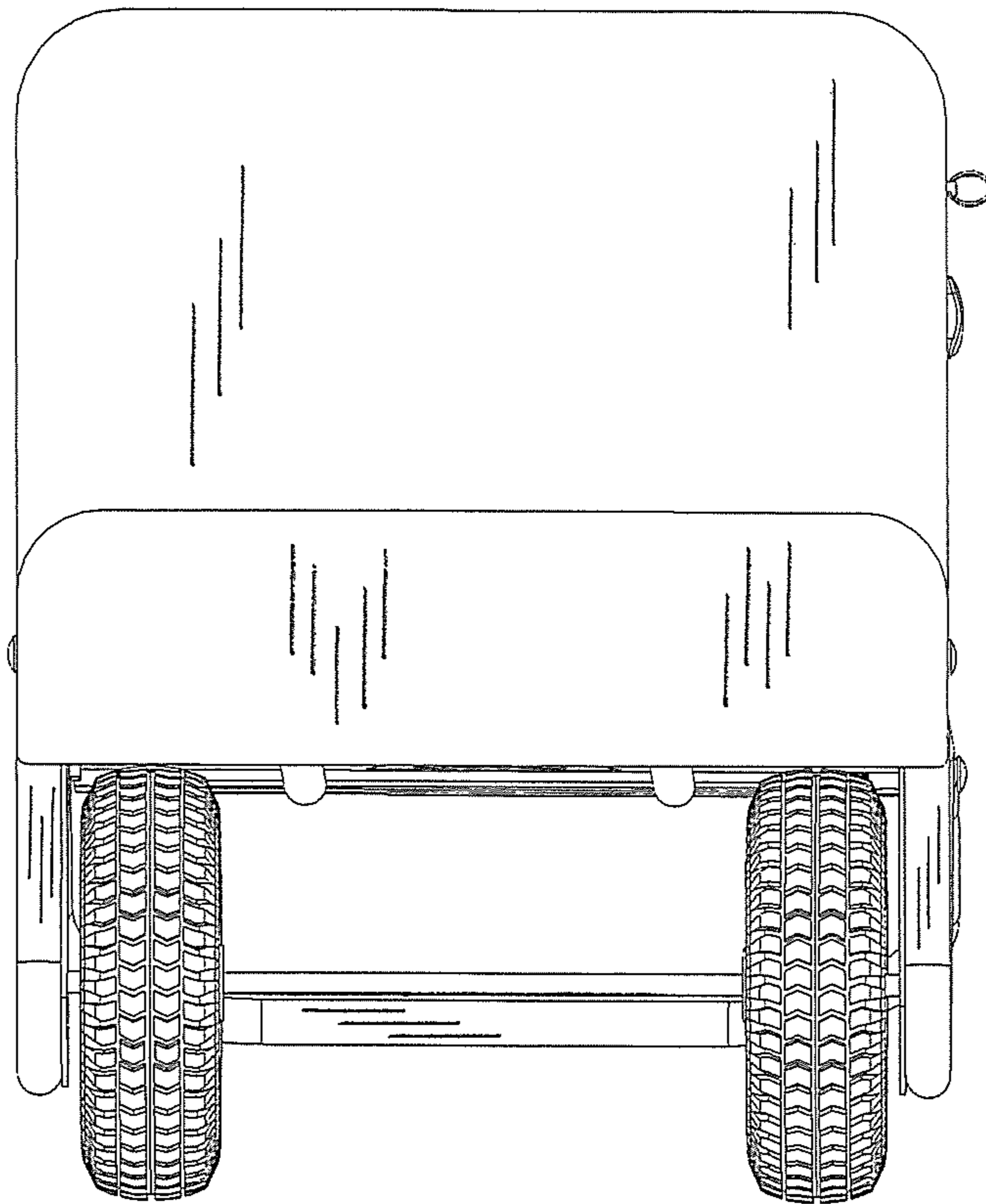


FIG. 6

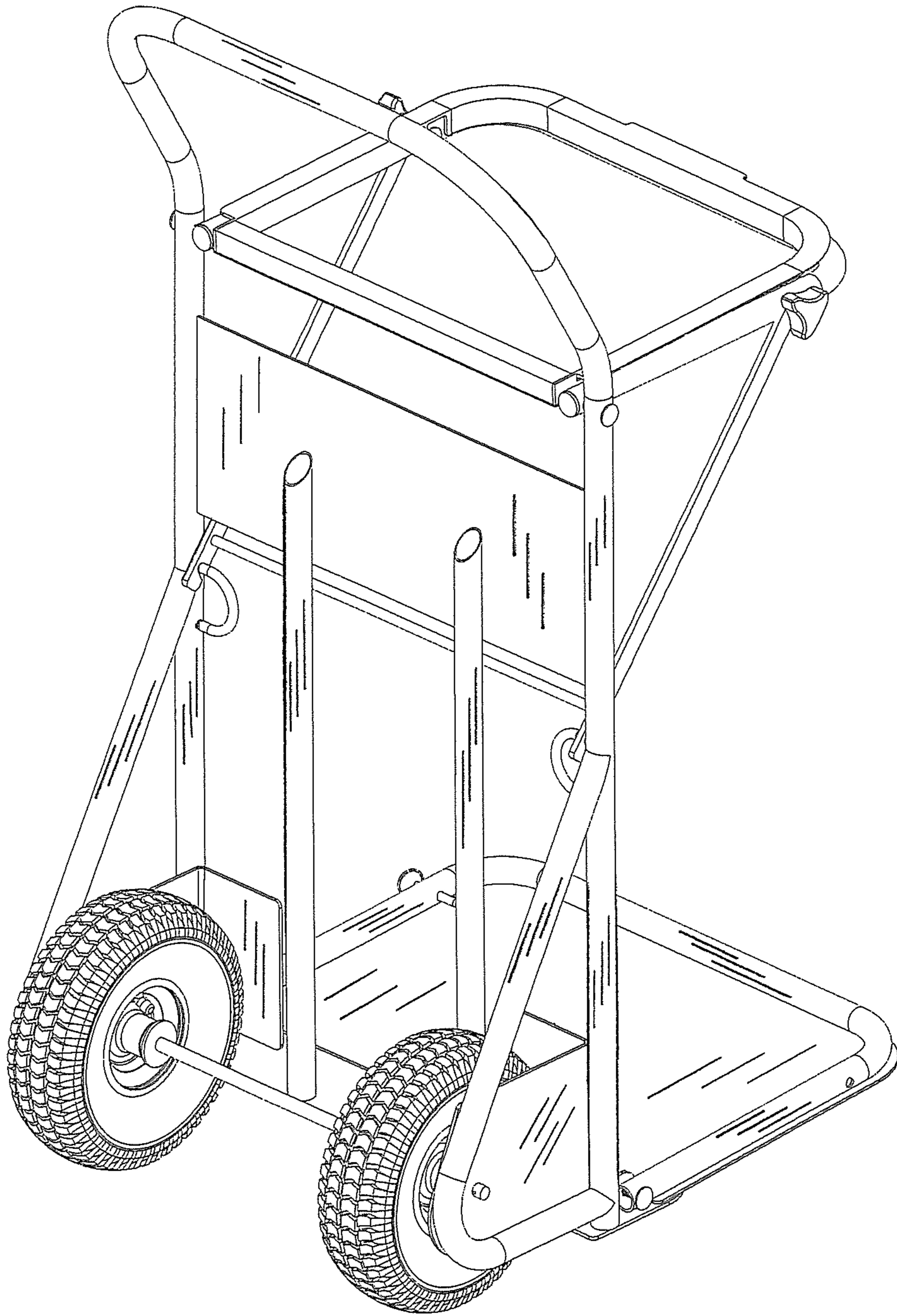


FIG. 7



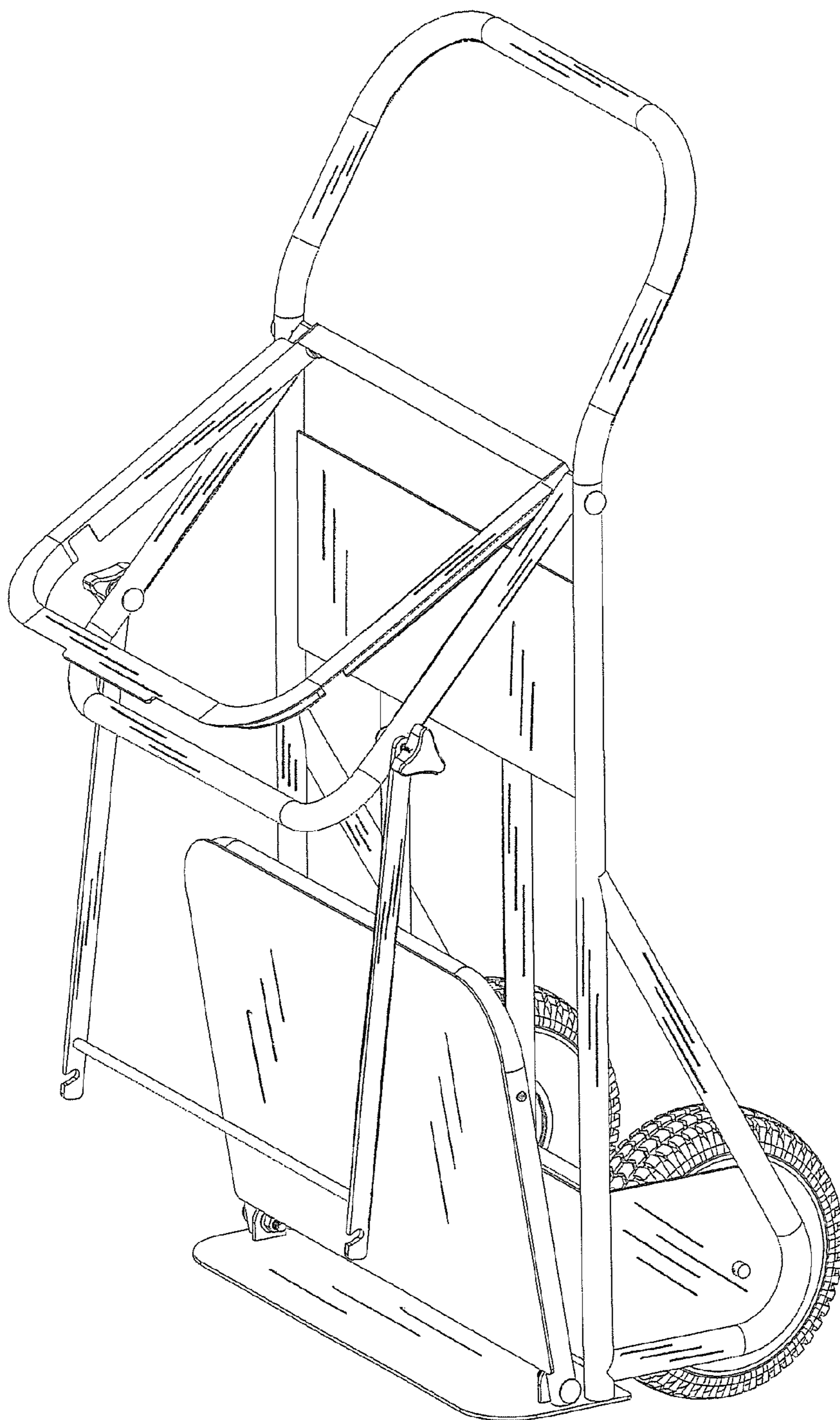


FIG. 8

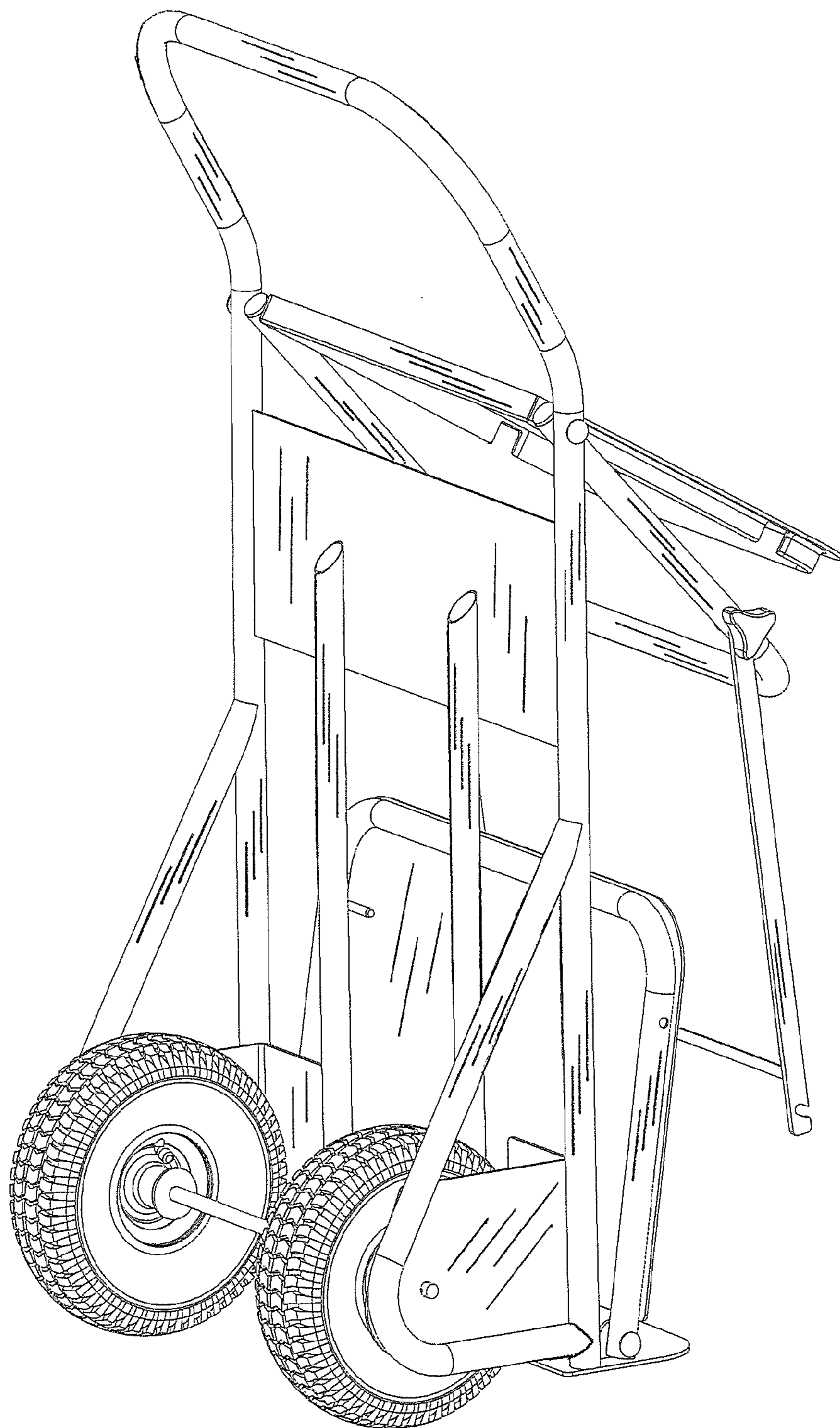


FIG. 9