



US00D715508S

(12) **United States Design Patent**  
**Ringholm**

(10) **Patent No.:** **US D715,508 S**

(45) **Date of Patent:** **\*\* Oct. 14, 2014**

(54) **SOLE PLATE FOR AN IRON**

(56) **References Cited**

(71) Applicant: **Aktiebolaget Electrolux**, Stockholm (SE)

U.S. PATENT DOCUMENTS

(72) Inventor: **Pia Ringholm**, Stockholm (SE)

D519,699 S *	4/2006	Lee	.....	D32/71
D560,322 S *	1/2008	Massip et al.	.....	D32/71
D565,822 S *	4/2008	Renault	.....	D32/71
D589,223 S *	3/2009	Valcke et al.	.....	D32/71
D599,071 S *	8/2009	Massip et al.	.....	D32/71
D621,116 S *	8/2010	Massip et al.	.....	D32/71
D630,399 S *	1/2011	Koehler	.....	D32/71
D634,500 S *	3/2011	Walther	.....	D32/71
D638,187 S *	5/2011	Choi et al.	.....	D32/71
D643,170 S *	8/2011	Renault	.....	D32/71
D656,286 S *	3/2012	Spatz et al.	.....	D32/71
D676,211 S *	2/2013	Sirard	.....	D32/71
D700,414 S *	2/2014	Spatz	.....	D32/71

(73) Assignee: **Aktiebolaget Electrolux** (SE)

(\*\*) Term: **14 Years**

(21) Appl. No.: **29/490,634**

(22) Filed: **May 12, 2014**

\* cited by examiner

**Related U.S. Application Data**

(63) Continuation of application No. 29/467,653, filed on Sep. 20, 2013, and a continuation-in-part of application No. 29/445,774, filed on Feb. 15, 2013, now Pat. No. Des. 707,006.

*Primary Examiner* — Austin Murphy

(74) *Attorney, Agent, or Firm* — Banner & Witcoff, Ltd.

(30) **Foreign Application Priority Data**

Aug. 16, 2012 (EM) ..... 02088575  
May 15, 2013 (CN) ..... 2013 3 0180395

(51) **LOC (10) Cl.** ..... **07-05**

(52) **U.S. Cl.**  
USPC ..... **D32/71**

(58) **Field of Classification Search**  
CPC ..... D06F 75/34; D06F 75/08; D06F 75/38;  
D06F 75/00; F22B 27/14; B08B 3/006  
USPC ..... D32/70, 71, 73, 72, 69, 68, 35;  
392/404; 38/97, 96, 93, 88, 77.9,  
38/77.83, 77.82, 77.81, 77.8, 77.7, 77.6,  
38/77.5, 77.3, 77.1; 219/251, 245, 257

See application file for complete search history.

(57) **CLAIM**

The ornamental design for a sole plate for an iron, as shown and described.

**DESCRIPTION**

FIG. 1 is a perspective view of a sole plate for an iron showing my new design;

FIG. 2 is a right side view thereof;

FIG. 3 is a left side view thereof;

FIG. 4 is a top view thereof;

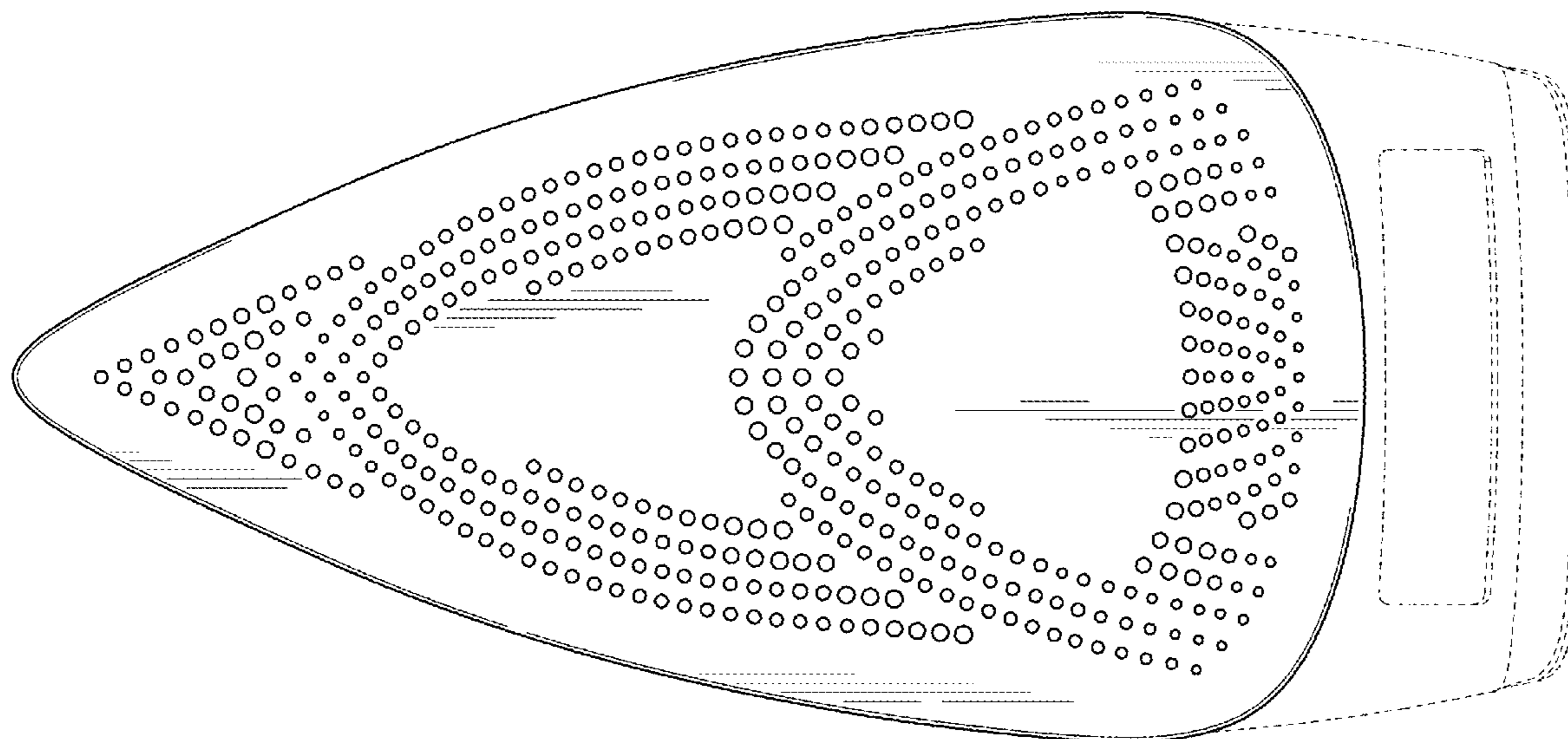
FIG. 5 is a bottom view thereof;

FIG. 6 is a front view thereof; and,

FIG. 7 is a rear view thereof.

The broken line showing of the remainder of the iron is for environmental purposes only and forms no part of the claimed design.

**1 Claim, 7 Drawing Sheets**



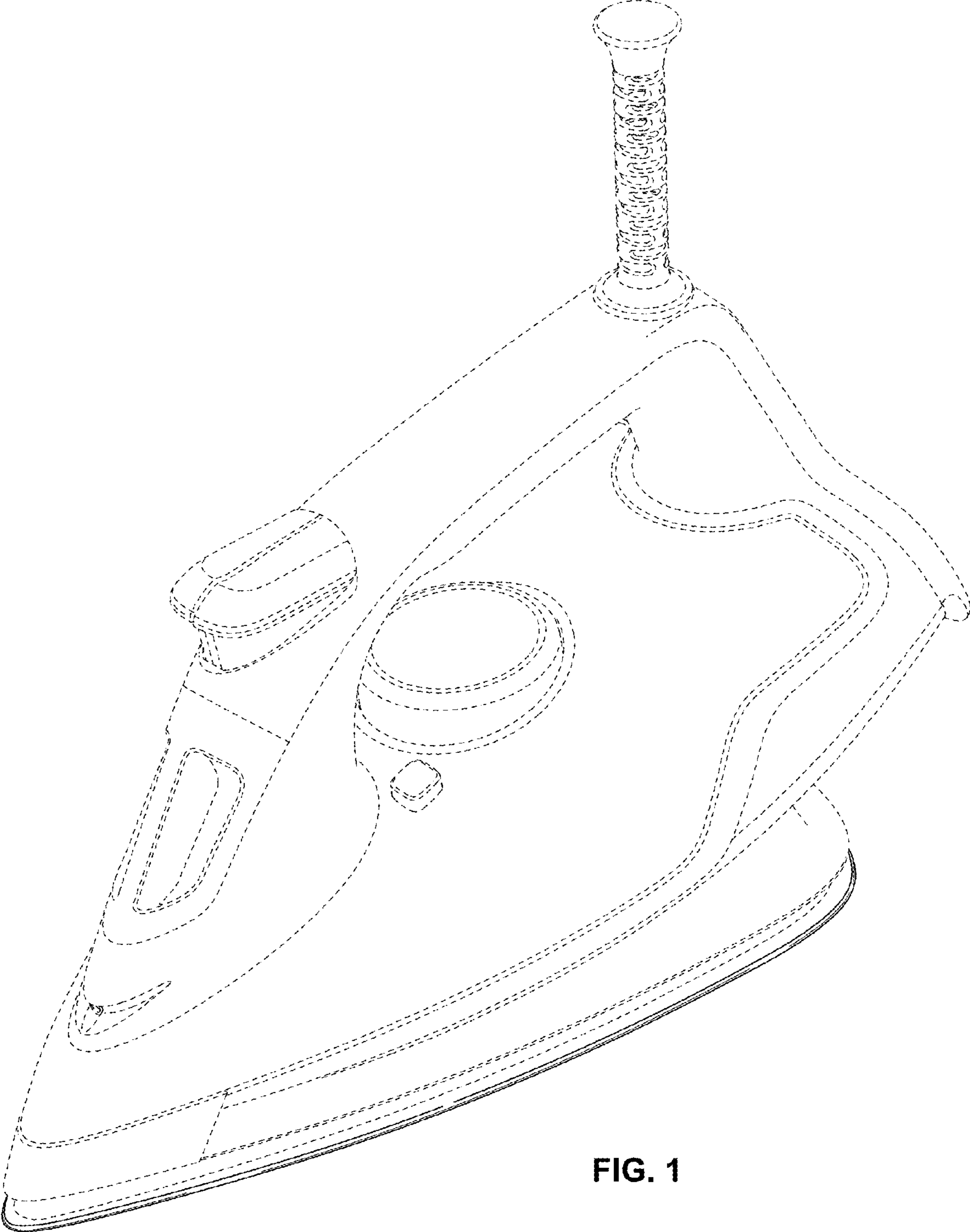


FIG. 1

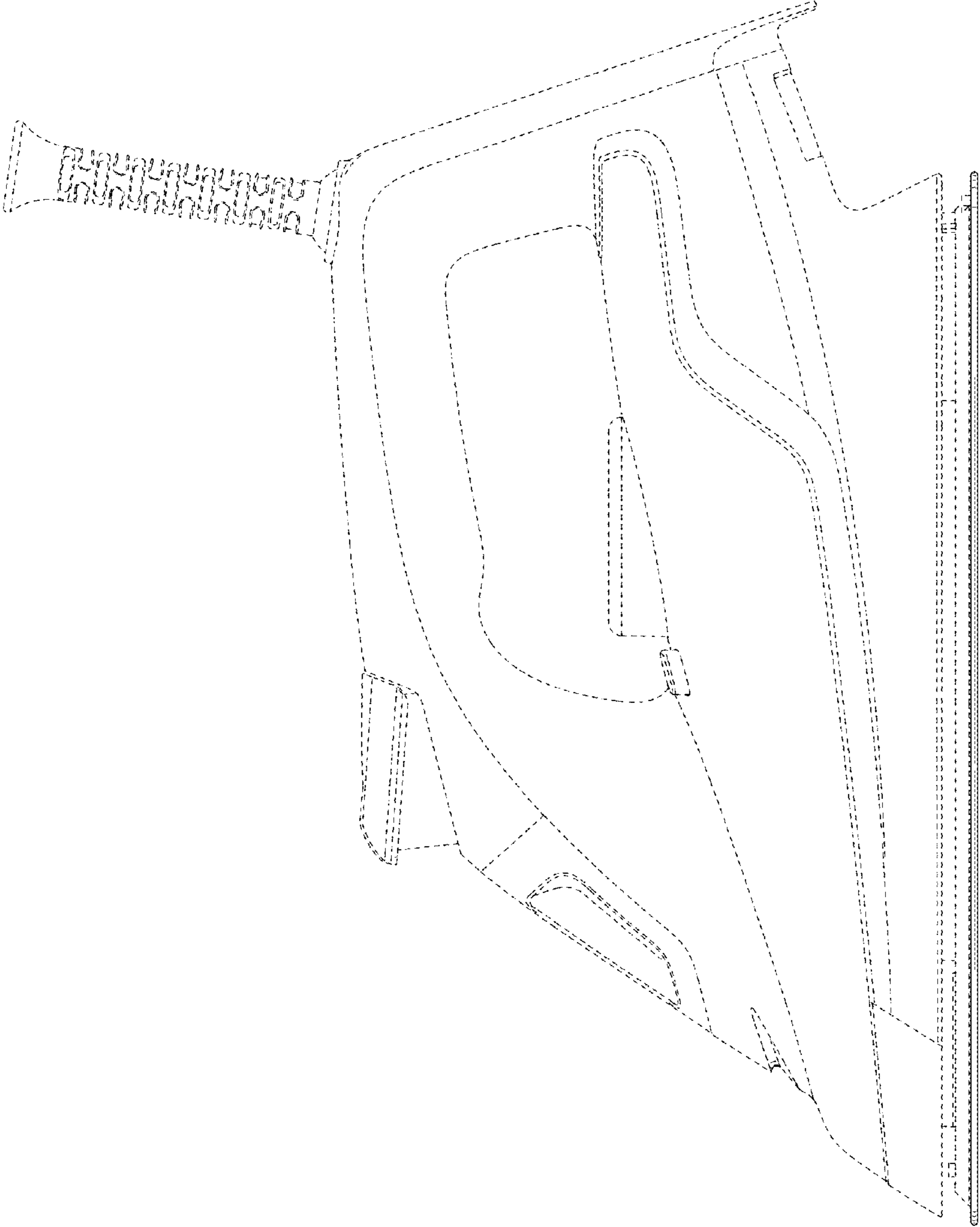


FIG. 2

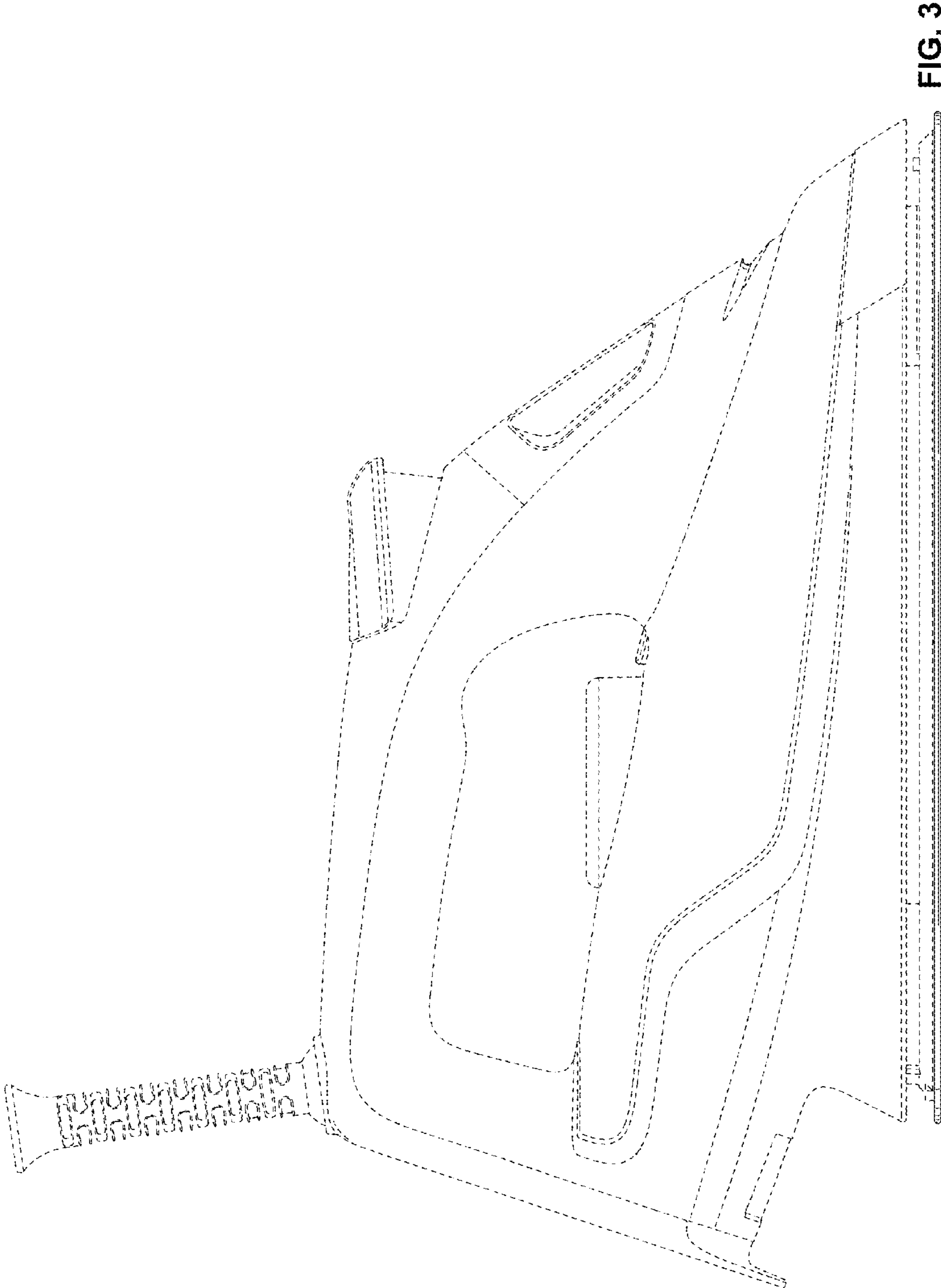


FIG. 3

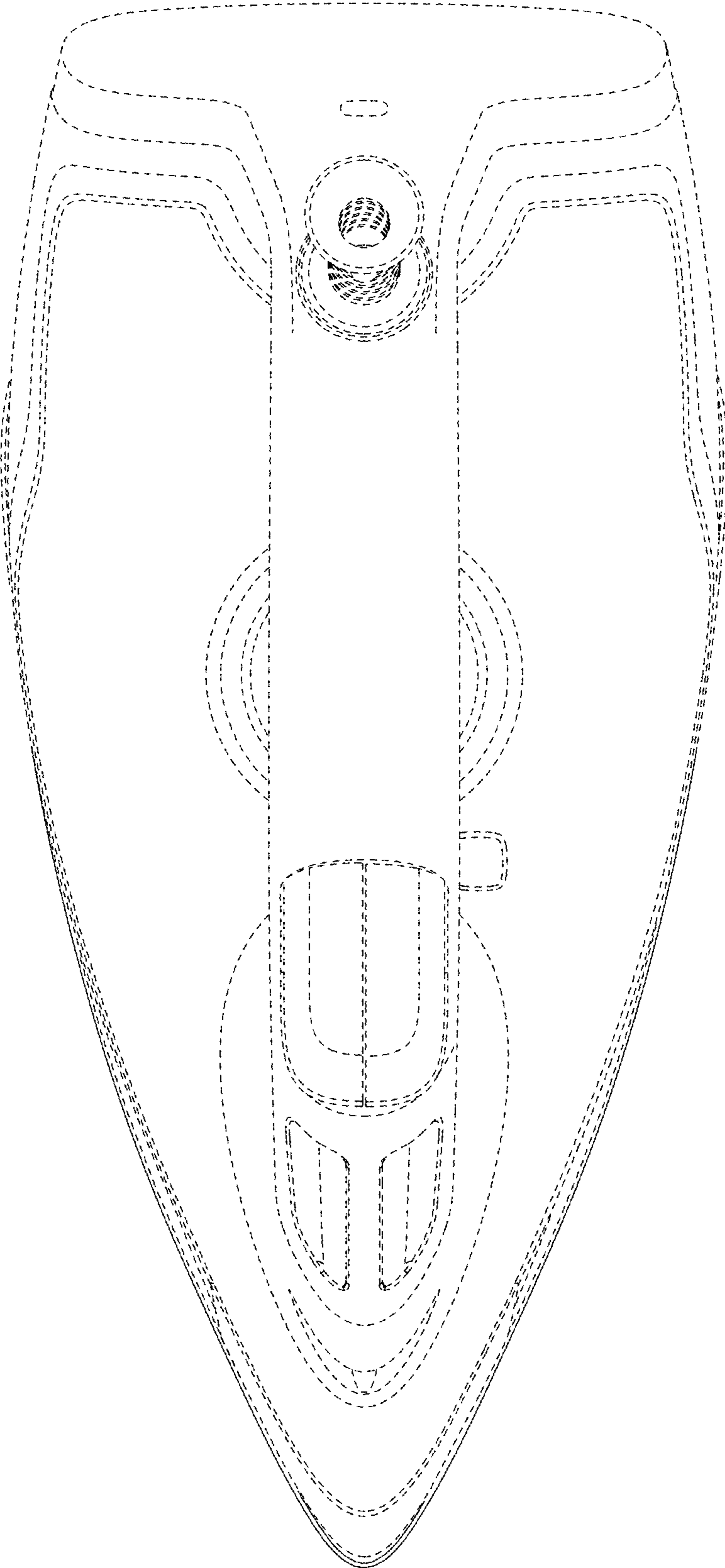


FIG. 4

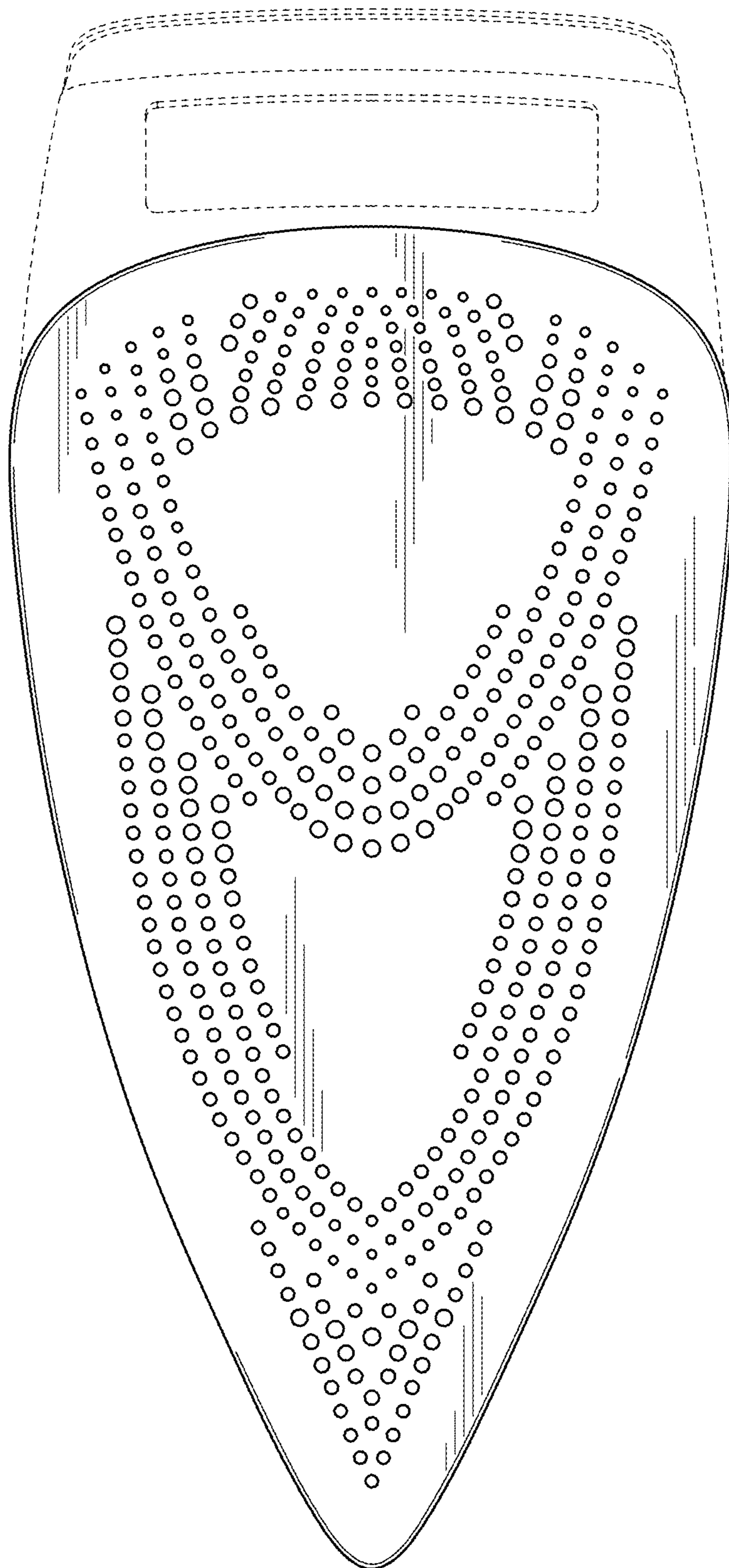


FIG. 5

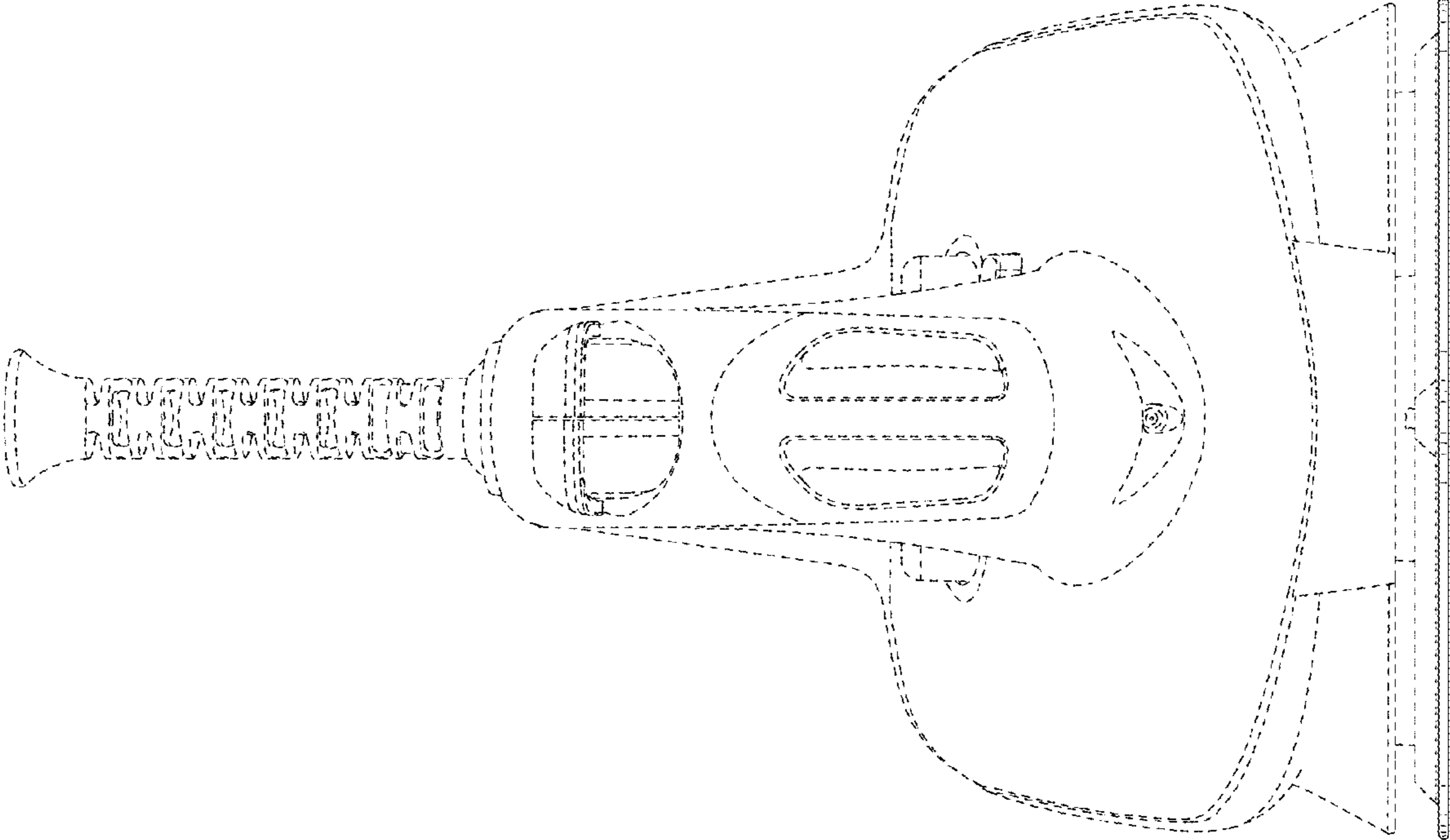


FIG. 6

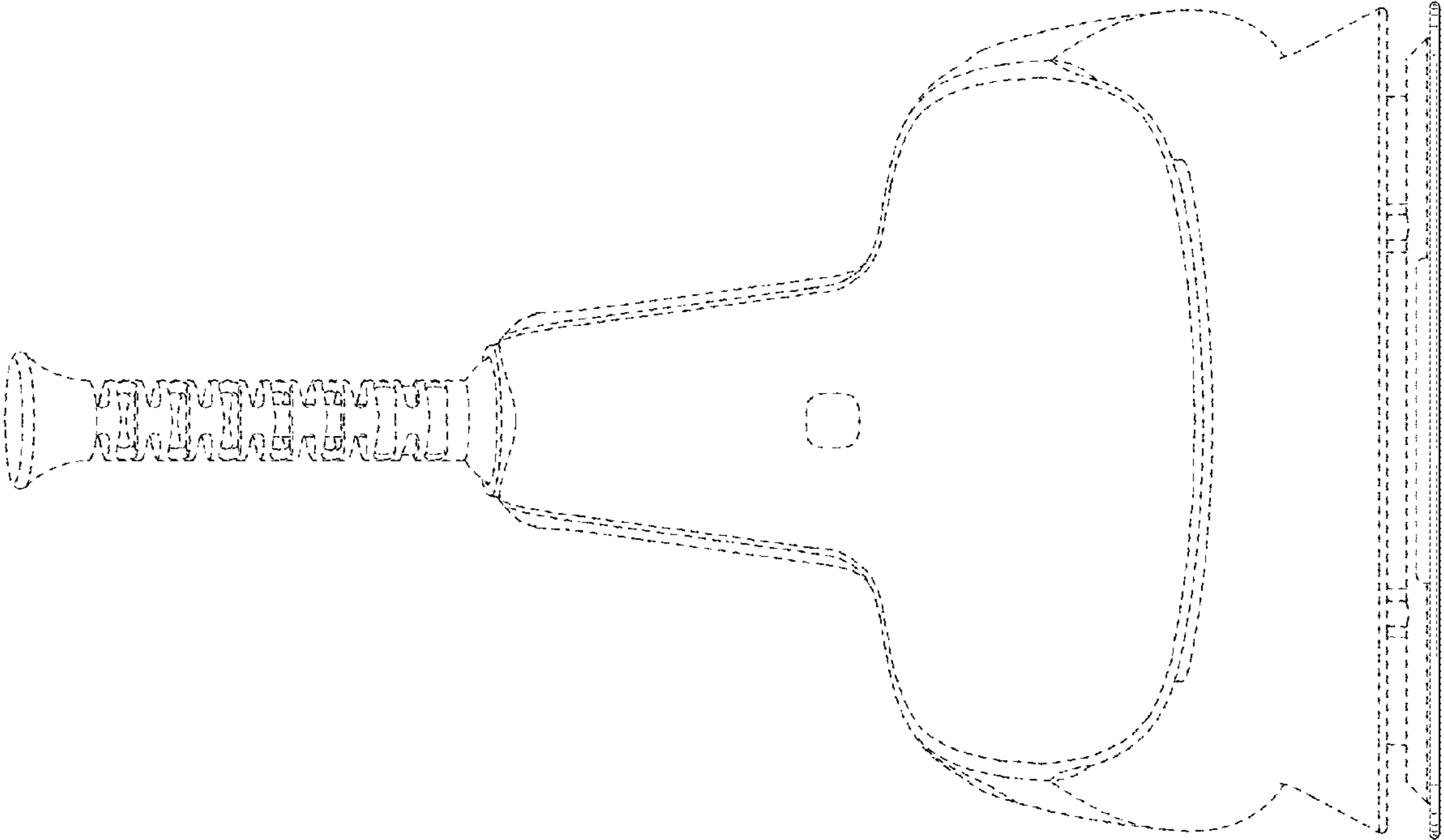


FIG. 7